



US00D441159S

(12) **United States Design Patent**
Cann

(10) **Patent No.:** **US D441,159 S**

(45) **Date of Patent:** **** Apr. 24, 2001**

(54) **STAND UP DUSTPAN**
(75) **Inventor:** **Robert A. Cann**, Amherst, MA (US)
(73) **Assignee:** **Milla Company INC**, Amherst, MA (US)
(**) **Term:** **14 Years**

655,384	*	8/1900	Walder	15/257.1
677,950	*	7/1901	Cutter	15/257.4
2,763,143	*	9/1956	Timmons	15/257.8
2,899,699	*	8/1959	Caisse	15/257.4
3,170,183		2/1965	Leatherman	.	
3,671,995	*	6/1972	Carr	15/257.1
4,149,745	*	4/1979	Willis	15/257.1
5,594,975	*	1/1997	Christen	15/257.1
5,715,564	*	2/1998	Knouse	15/257.1

(21) **Appl. No.:** **29/116,874**
(22) **Filed:** **Jan. 12, 2000**

* cited by examiner

Primary Examiner—Cynthia E Ramirez

(51) **LOC (7) Cl.** **07-05**
(52) **U.S. Cl.** **D32/74**
(58) **Field of Search** D32/74; 15/257.1,
15/257.4, 257.8, 257.9; D30/162; D8/14

(57) **CLAIM**

The ornamental design for a stand up dustpan, as shown and described.

(56) **References Cited**

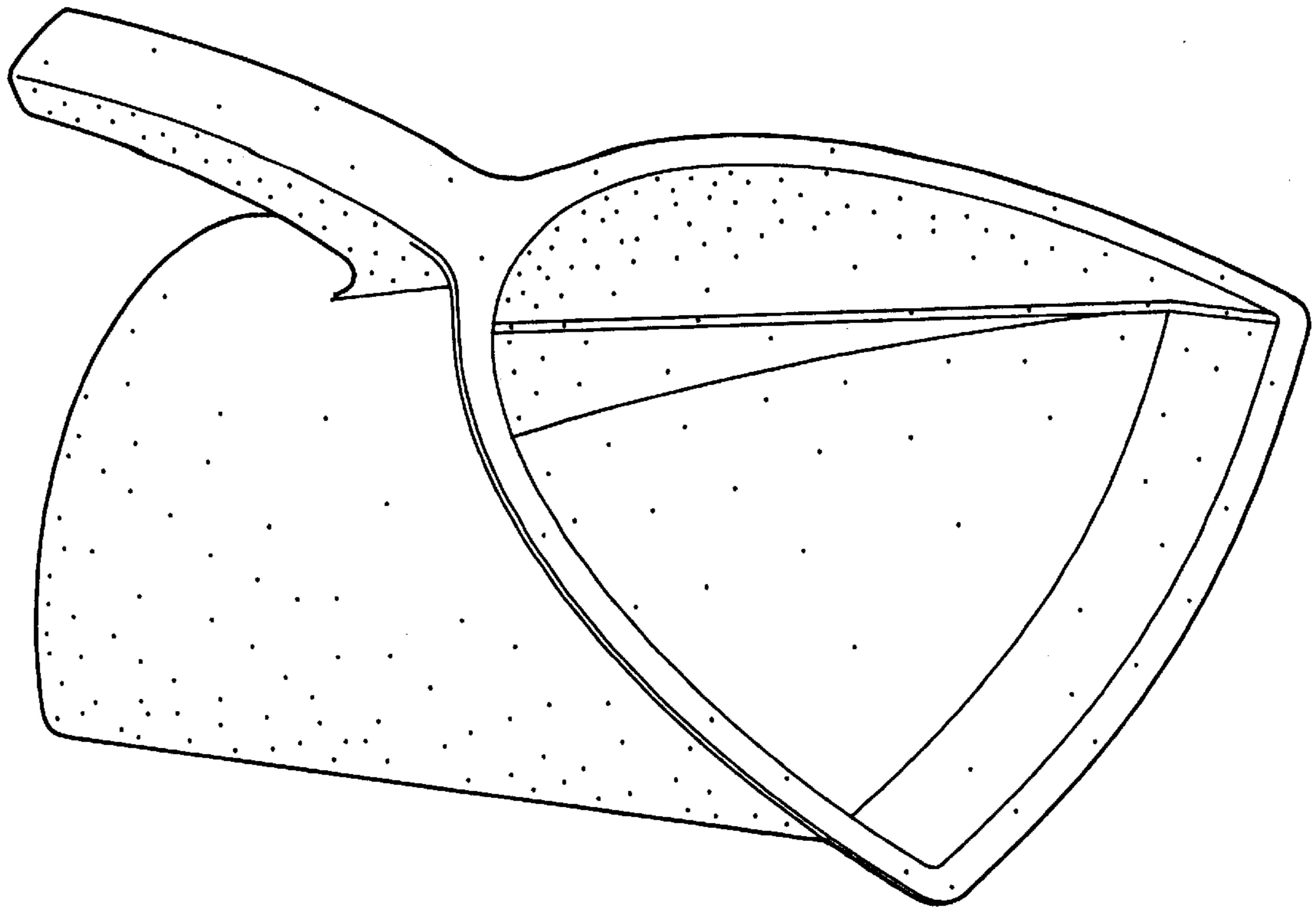
DESCRIPTION

U.S. PATENT DOCUMENTS

D. 28,025	*	12/1897	Payne	D32/74
D. 103,453	*	3/1937	Jackson	D32/74
234,644	*	11/1880	Alexander	15/257.1
D. 236,938	*	9/1975	Bowen, Jr.	D34/5
D. 254,286	*	2/1980	Daniel	D32/74
D. 328,809	*	8/1992	Shooter	D32/74
D. 351,699		10/1994	Temple	.	
D. 383,002		9/1997	Rigney	.	
D. 427,739	*	7/2000	Demore	D32/74
531,177	*	12/1894	Gere	15/257.1
567,357	*	9/1896	Parker	15/257.4

FIG. 1 is a top left front perspective view of my invention;
FIG. 2 is a bottom left back perspective view thereof;
FIG. 3 is a top view thereof;
FIG. 4 is a left side view thereof, the right side view being a mirror image;
FIG. 5 is a bottom view thereof;
FIG. 6 is a cross-sectional view along the lines 6—6 of FIG. 3;
FIG. 7 is a front view thereof; and,
FIG. 8 is a back view of my invention.

1 Claim, 4 Drawing Sheets



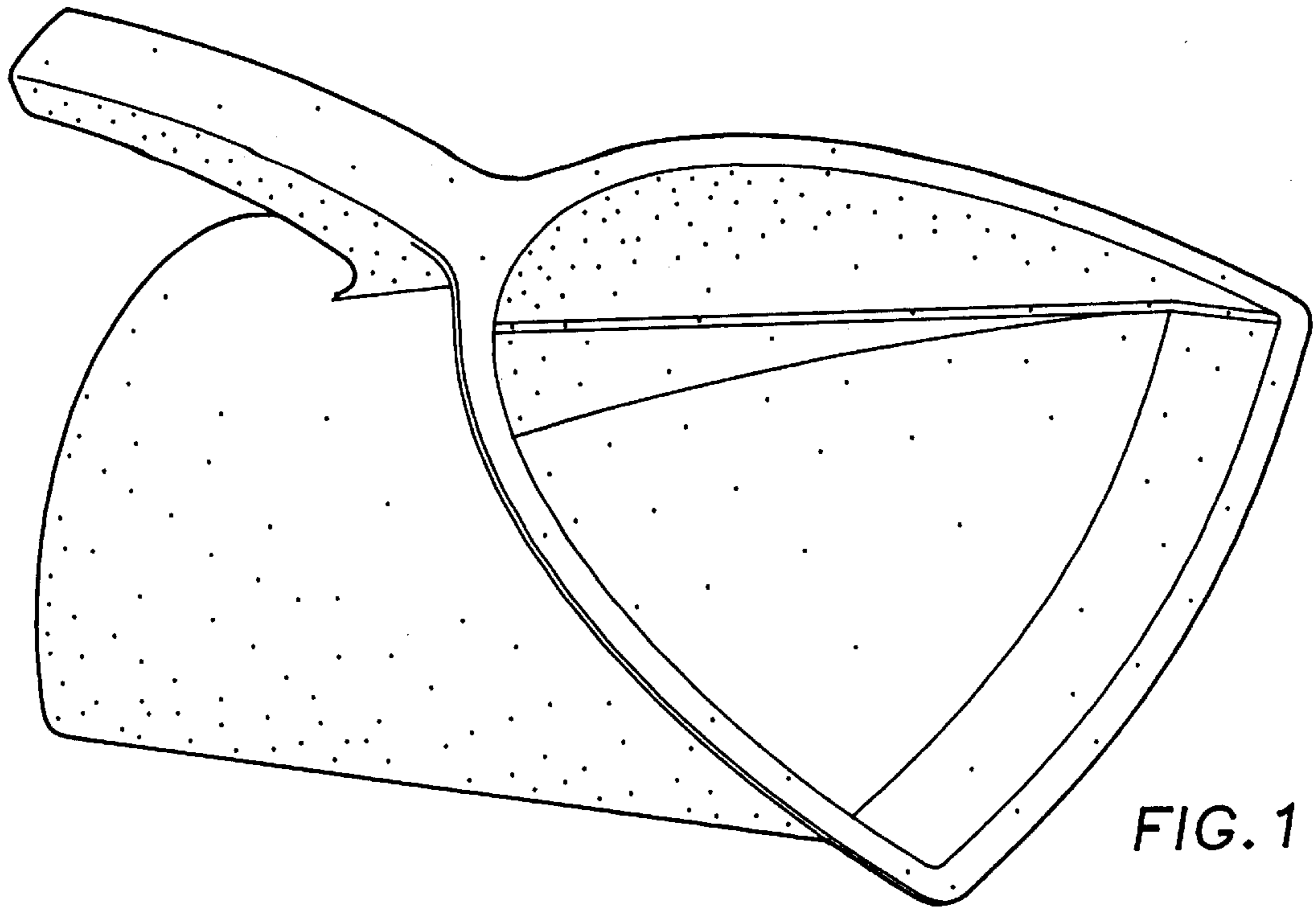


FIG. 1

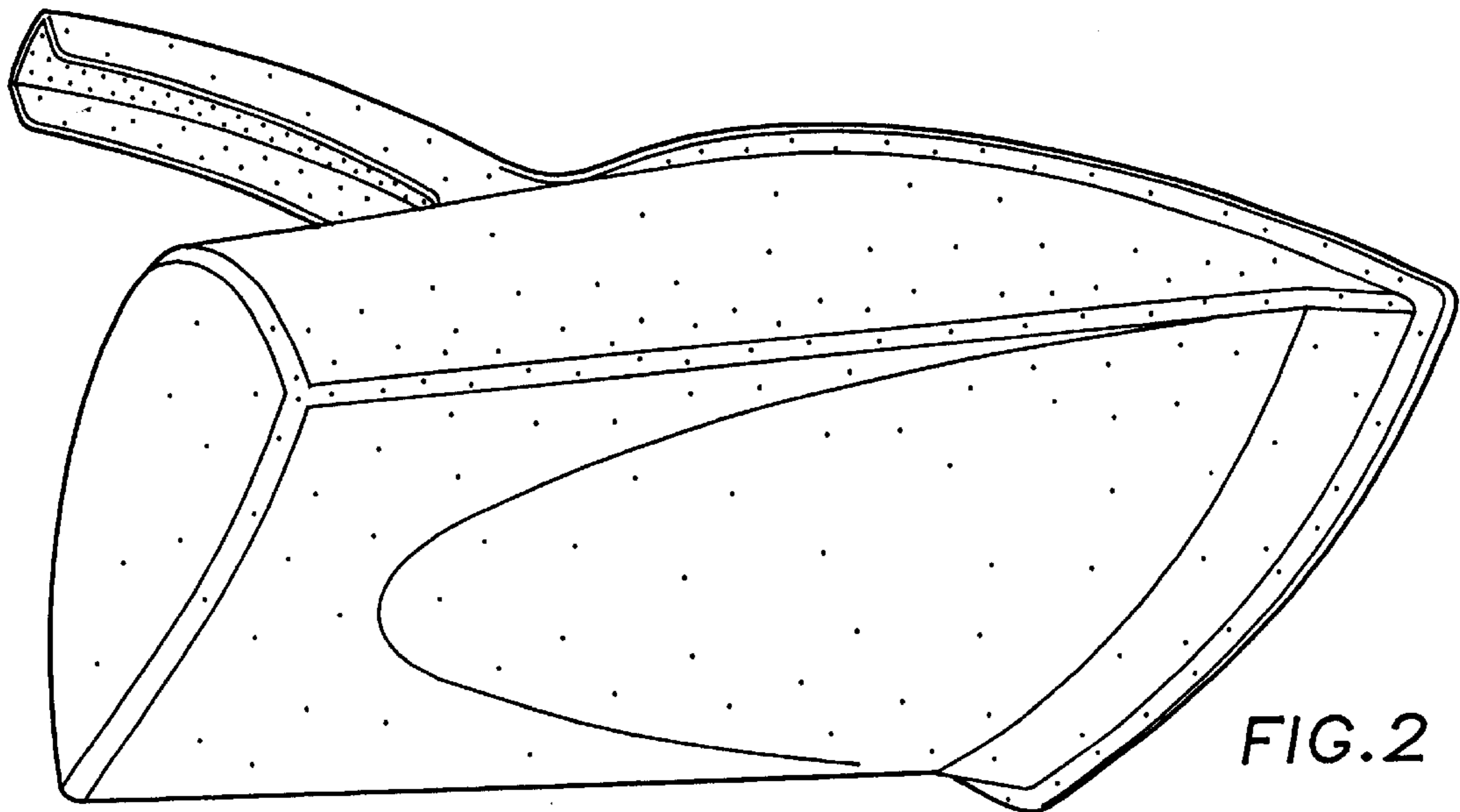


FIG. 2

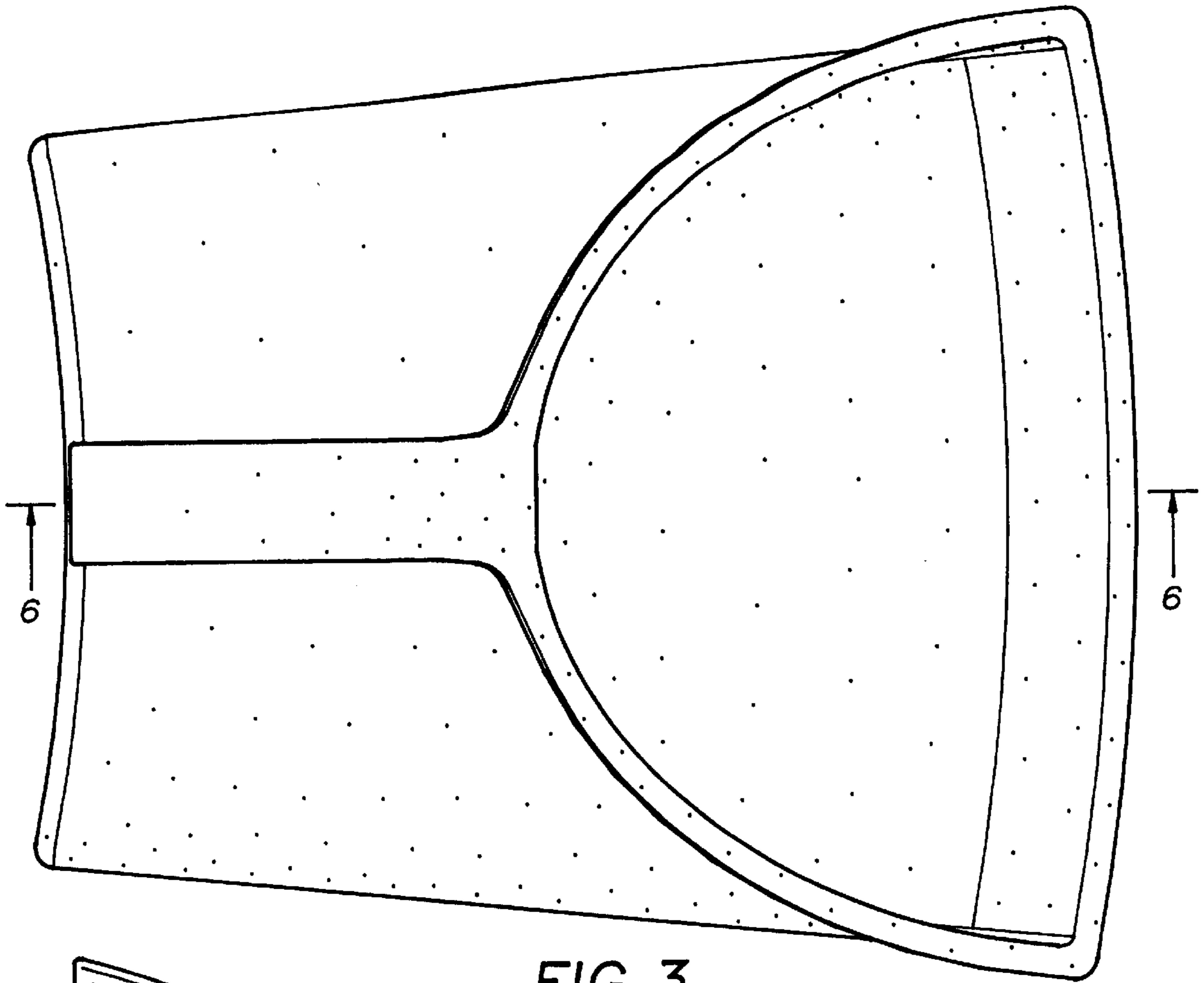


FIG. 3

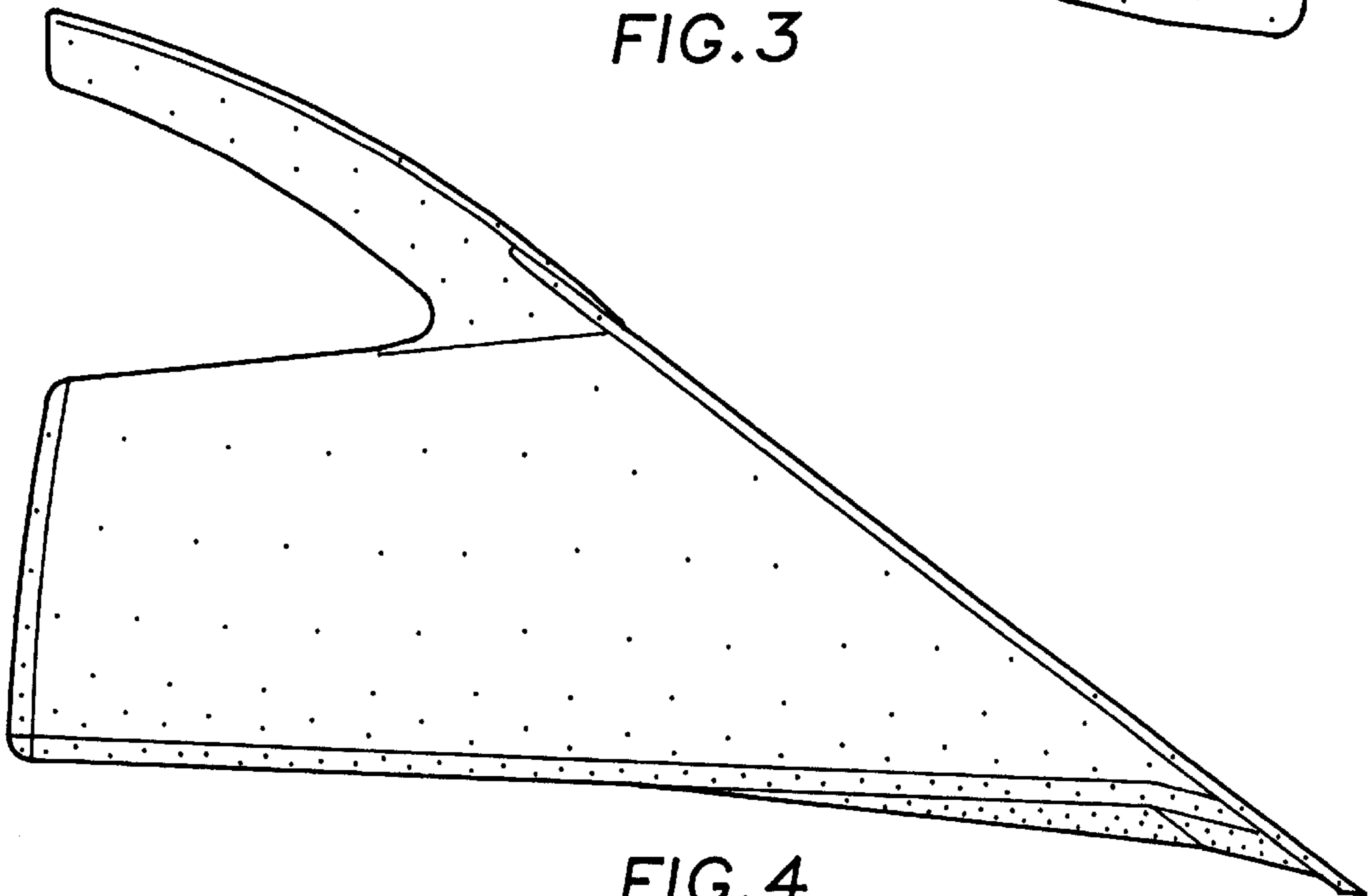


FIG. 4

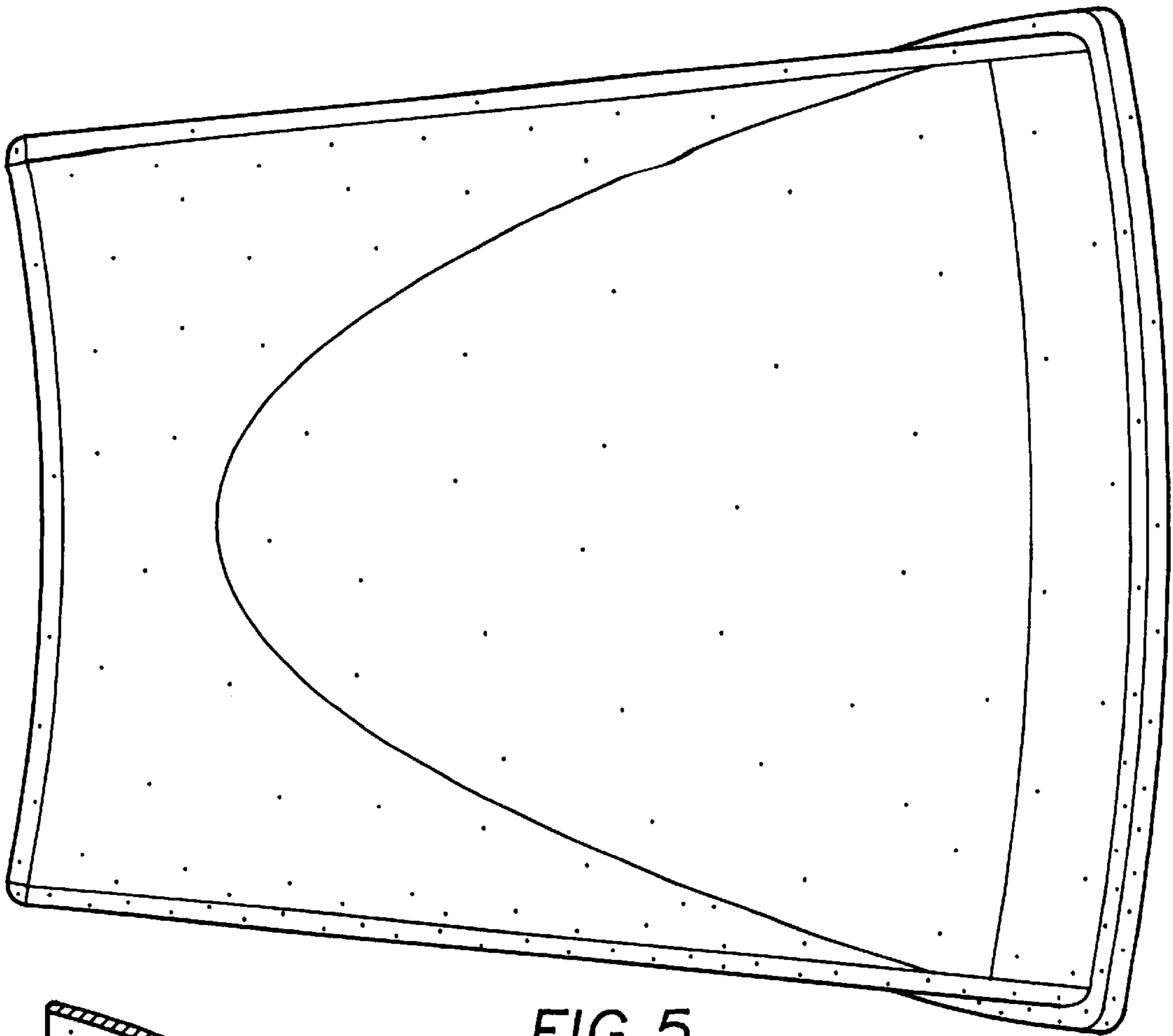


FIG. 5

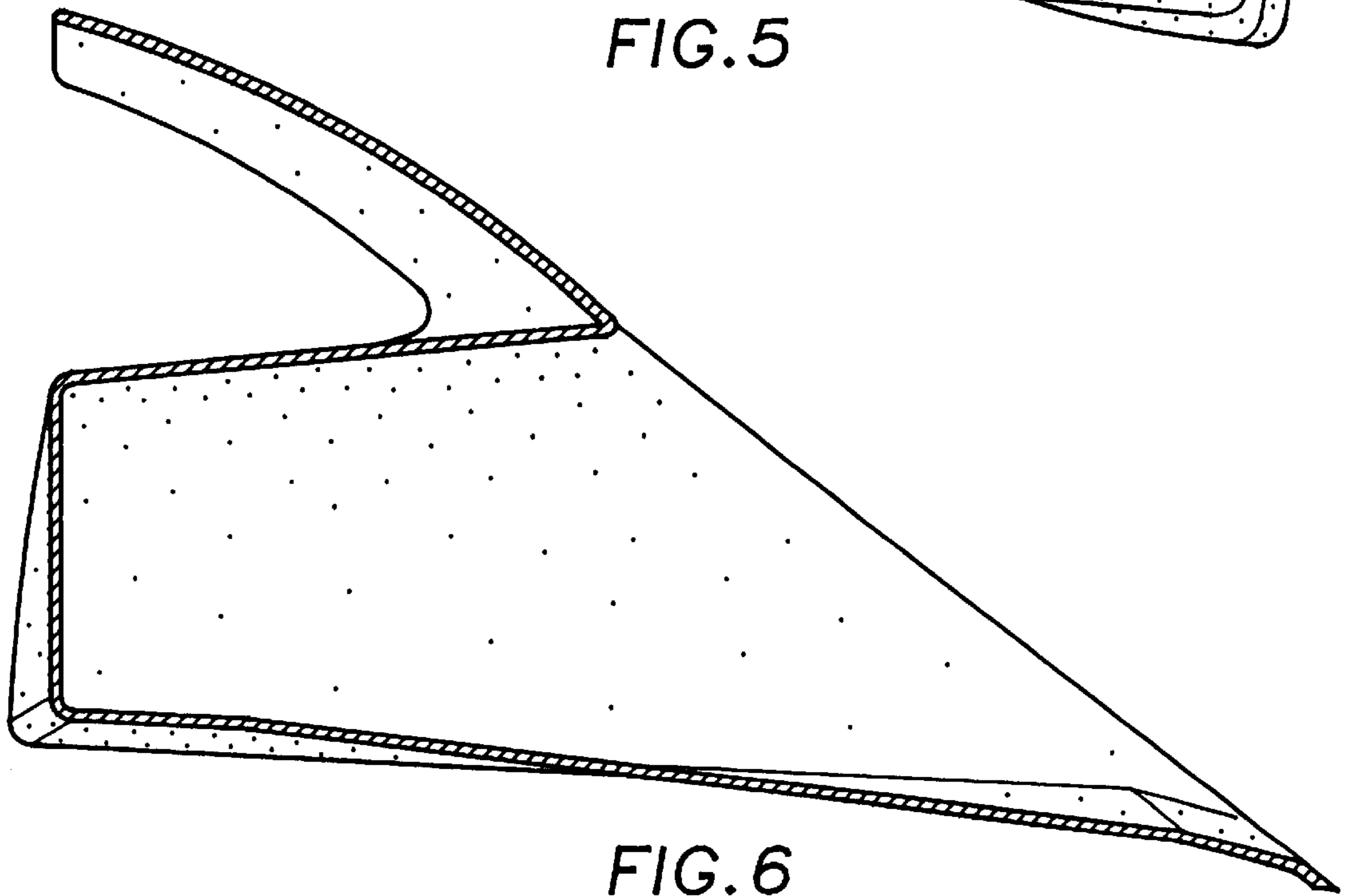


FIG. 6

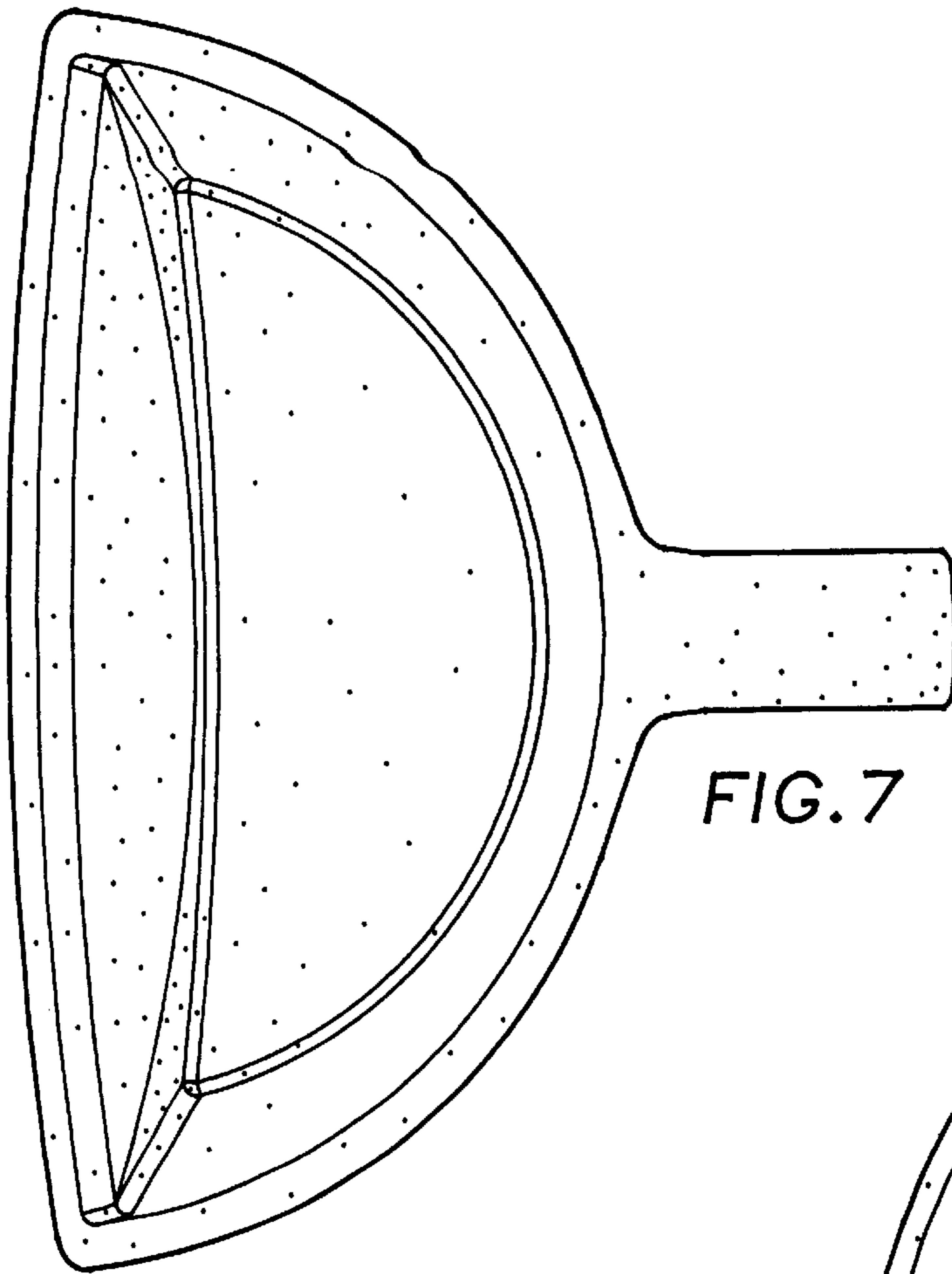


FIG. 7

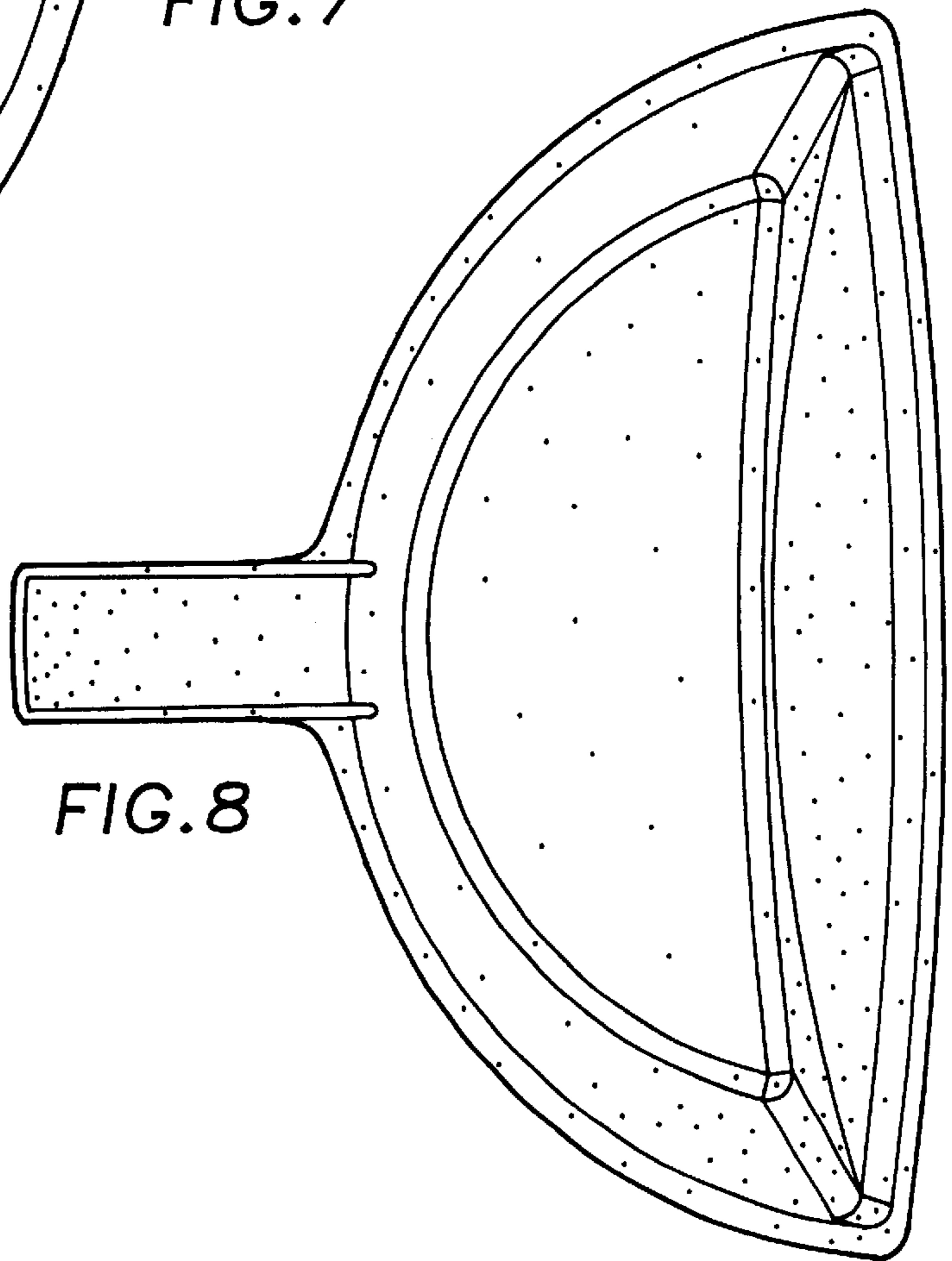


FIG. 8