



US00D441156S

(12) **United States Design Patent**
Zegman

(10) **Patent No.:** **US D441,156 S**

(45) **Date of Patent:** **** Apr. 24, 2001**

(54) **SCRAPER**

(75) Inventor: **Amir Zegman**, Tel Aviv (IL)

(73) Assignee: **Aharon Zegman Ltd.** (IL)

(**) Term: **14 Years**

(21) Appl. No.: **29/112,620**

(22) Filed: **Oct. 20, 1999**

(30) **Foreign Application Priority Data**

May 31, 1999 (IL) 31603

(51) **LOC (7) Cl.** **08-05**

(52) **U.S. Cl.** **D32/49**

(58) **Field of Search** D32/40, 46, 48,
D32/49; 15/236.01, 236.02, 236.05, 236.06,
236.07, 236.08, 236.09; 30/169

(56) **References Cited**

U.S. PATENT DOCUMENTS

- D. 52,765 * 12/1918 Cheiver et al. D32/48
- D. 396,910 * 8/1998 Henke D32/49

- 2,700,096 * 1/1955 Clements 30/169 X
- 2,821,017 * 1/1958 Liesunaitis 30/169
- 5,996,231 * 12/1999 Roche et al. 30/169

* cited by examiner

Primary Examiner—Robin V. Taylor

Assistant Examiner—Lavone Tabor

(74) *Attorney, Agent, or Firm*—Ostrolenk, Faber, Gerb & Soffen, LLP

(57) **CLAIM**

The ornamental design for a scraper, as shown and described.

DESCRIPTION

FIG. 1 is a top perspective view of a scraper showing my design;

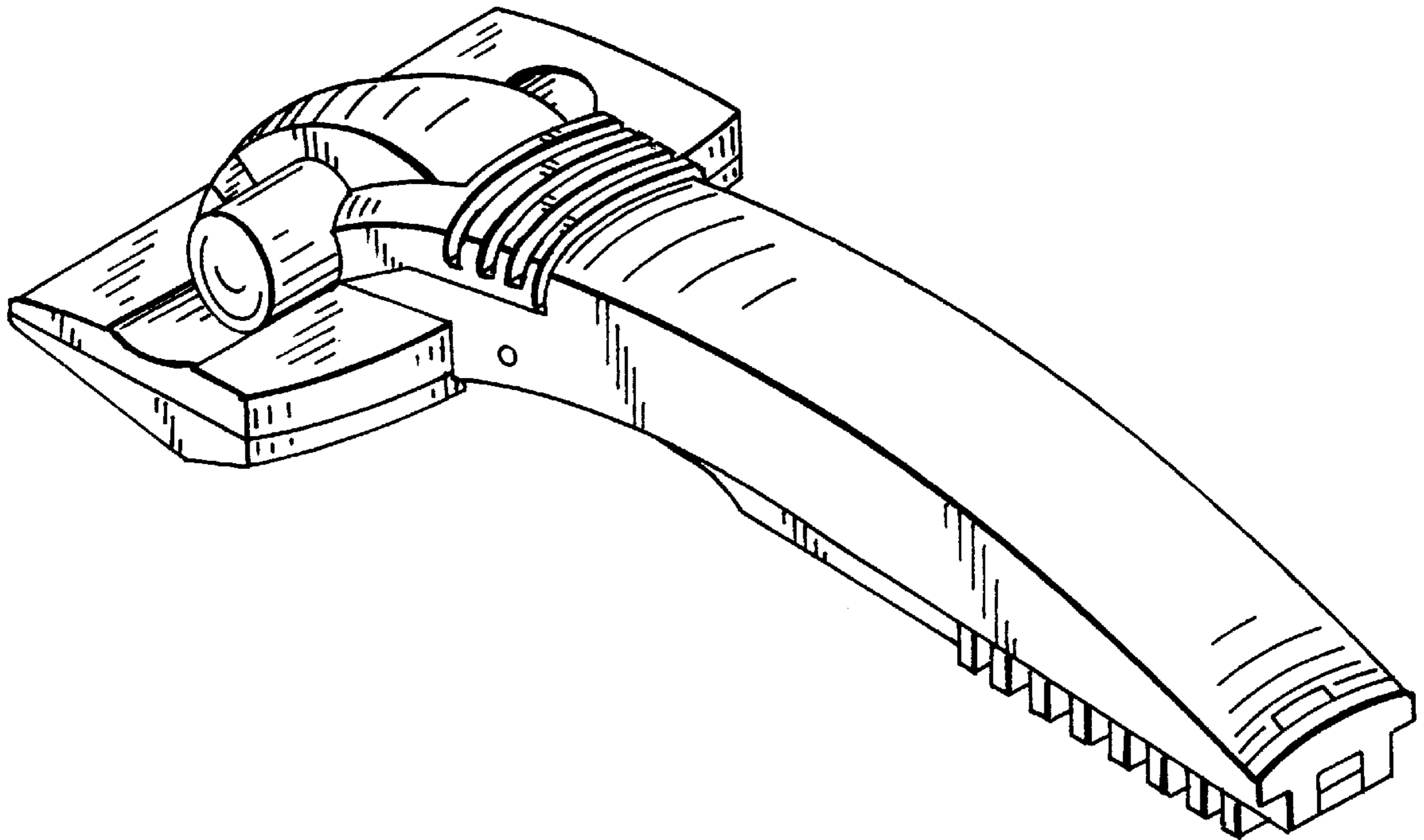
FIG. 2 is a bottom perspective view thereof;

FIG. 3 is a top view thereof; and,

FIG. 4 is a bottom view thereof.

The rear of the scraper neither shown in the drawing nor described in the specification forms no part of the claimed design.

1 Claim, 2 Drawing Sheets



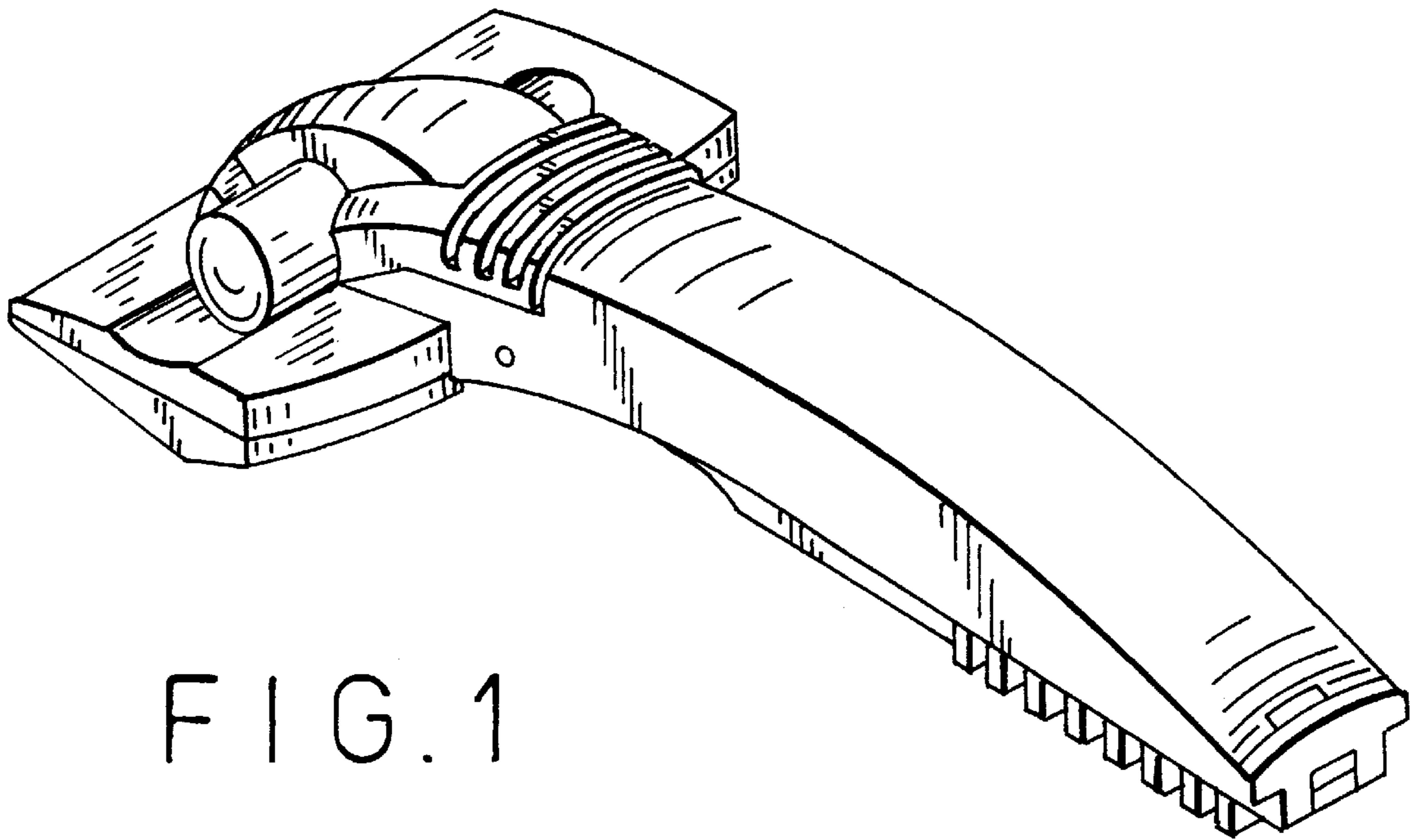


FIG. 1

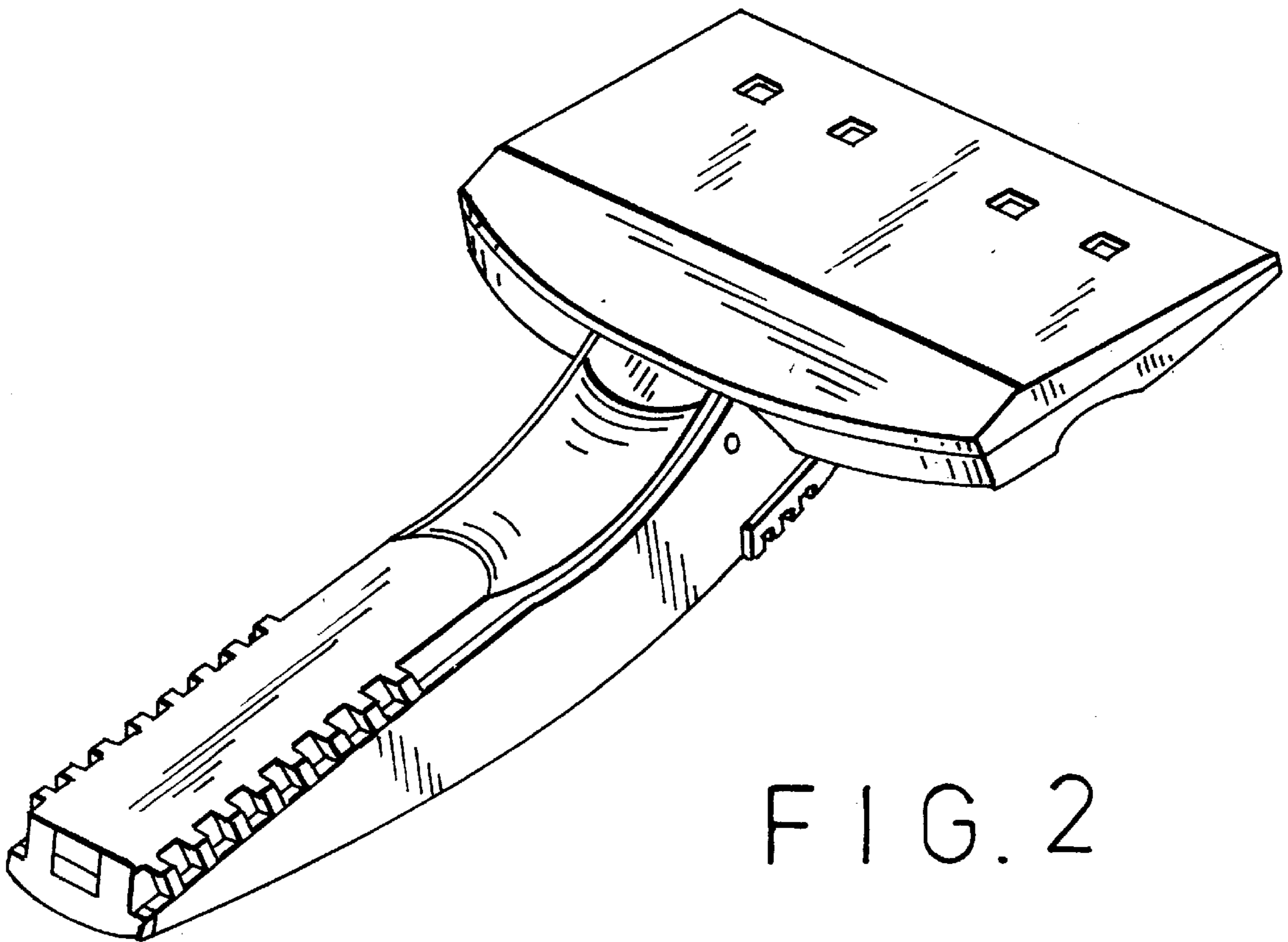


FIG. 2

FIG. 3

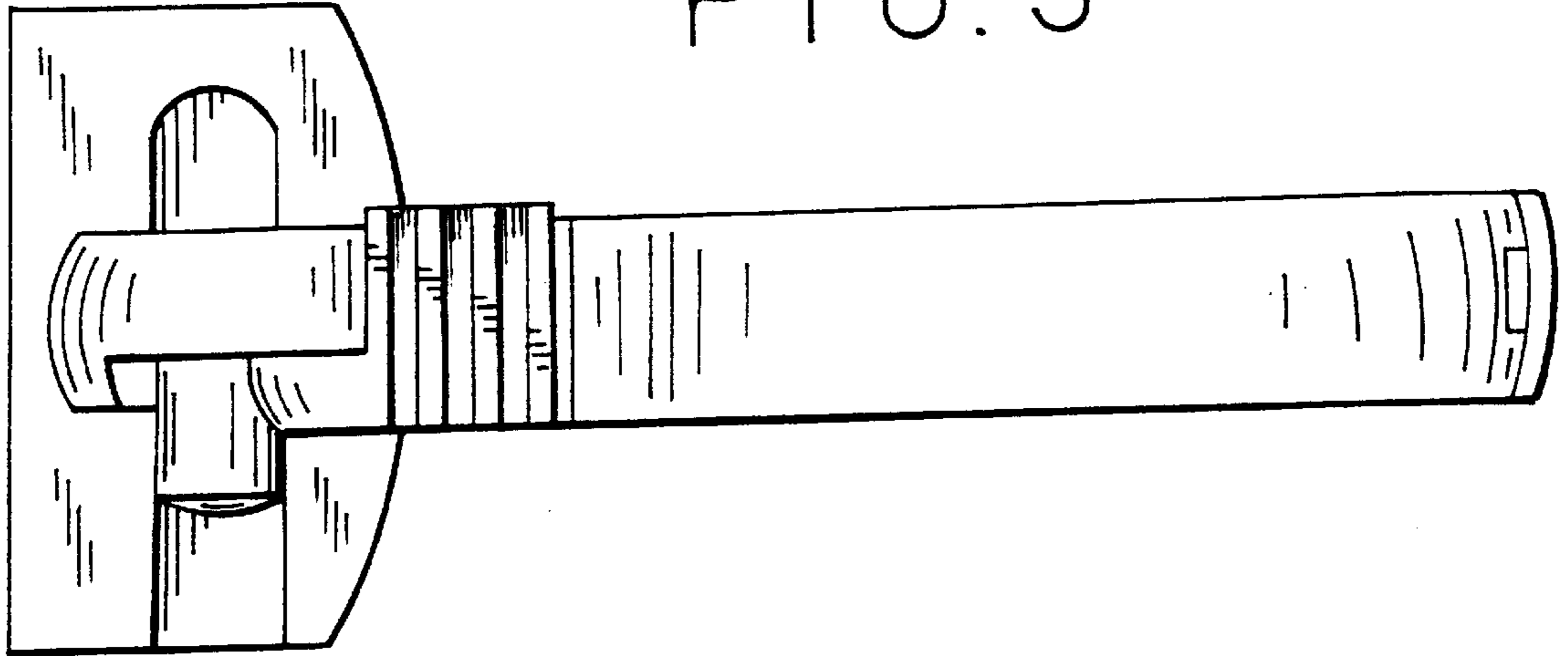


FIG. 4

