



US00D441154S

(12) **United States Design Patent**
Roberts et al.

(10) **Patent No.:** **US D441,154 S**

(45) **Date of Patent:** **** Apr. 24, 2001**

(54) **VACUUM CLEANER HANDLE**

(75) Inventors: **Kenneth L. Roberts**, Rockford;
Anthony L. Monetta; Kenneth J. Orr,
both of Holland, all of MI (US)

(73) Assignee: **Bissell Homecare, Inc.**, Grand Rapids,
MI (US)

(**) Term: **14 Years**

(21) Appl. No.: **29/098,508**

(22) Filed: **Dec. 31, 1998**

(51) **LOC (7) Cl.** **15-05**

(52) **U.S. Cl.** **D32/31**

(58) **Field of Search** D32/21, 22, 25,
D32/31-34; 15/347, 350-353, 335, 337,
320-322, 361, 379, 400, 410, 328, 323,
329; 180/19.3

(56) **References Cited**

U.S. PATENT DOCUMENTS

- D. 346,053 * 4/1994 Hoshino D32/31
- D. 346,679 5/1994 Bradd et al. .
- D. 357,096 * 4/1995 Wareham D32/31
- D. 358,236 * 5/1995 Kopco et al. D32/22
- D. 358,241 5/1995 Bradd .
- D. 365,179 12/1995 Bradd .
- D. 388,915 * 1/1998 Wareham D32/31
- D. 391,702 * 3/1998 Wareham et al. D32/31
- D. 391,703 * 3/1998 Miller et al. D32/31
- D. 403,477 12/1998 Tsujimoto et al. .
- D. 403,478 12/1998 Tsujimoto et al. .
- D. 403,479 12/1998 Diebel .
- D. 403,480 12/1998 Diebel .
- D. 403,482 12/1998 Essex et al. .

- D. 412,379 * 7/1999 Stephens et al. D32/31
- D. 416,114 * 11/1999 Mehaffey D32/22
- D. 418,265 * 12/1999 Farone et al. D32/22
- D. 422,388 * 4/2000 Roberts et al. D32/31
- 4,621,390 11/1986 Hampton et al. .
- 5,230,121 * 7/1993 Blackman 15/410
- 5,309,600 5/1994 Weaver et al. .
- 5,524,321 6/1996 Weaver et al. .
- 5,761,763 6/1998 McAllise et al. .

FOREIGN PATENT DOCUMENTS

- 3158125 7/1991 (EP) .
- 4-364822 12/1992 (JP) .

* cited by examiner

Primary Examiner—Ruth McInroy

(74) *Attorney, Agent, or Firm*—Rader, Fishman, Grauer &
Mc Garry, Office of Rader, Fishman & Grauer PLLC

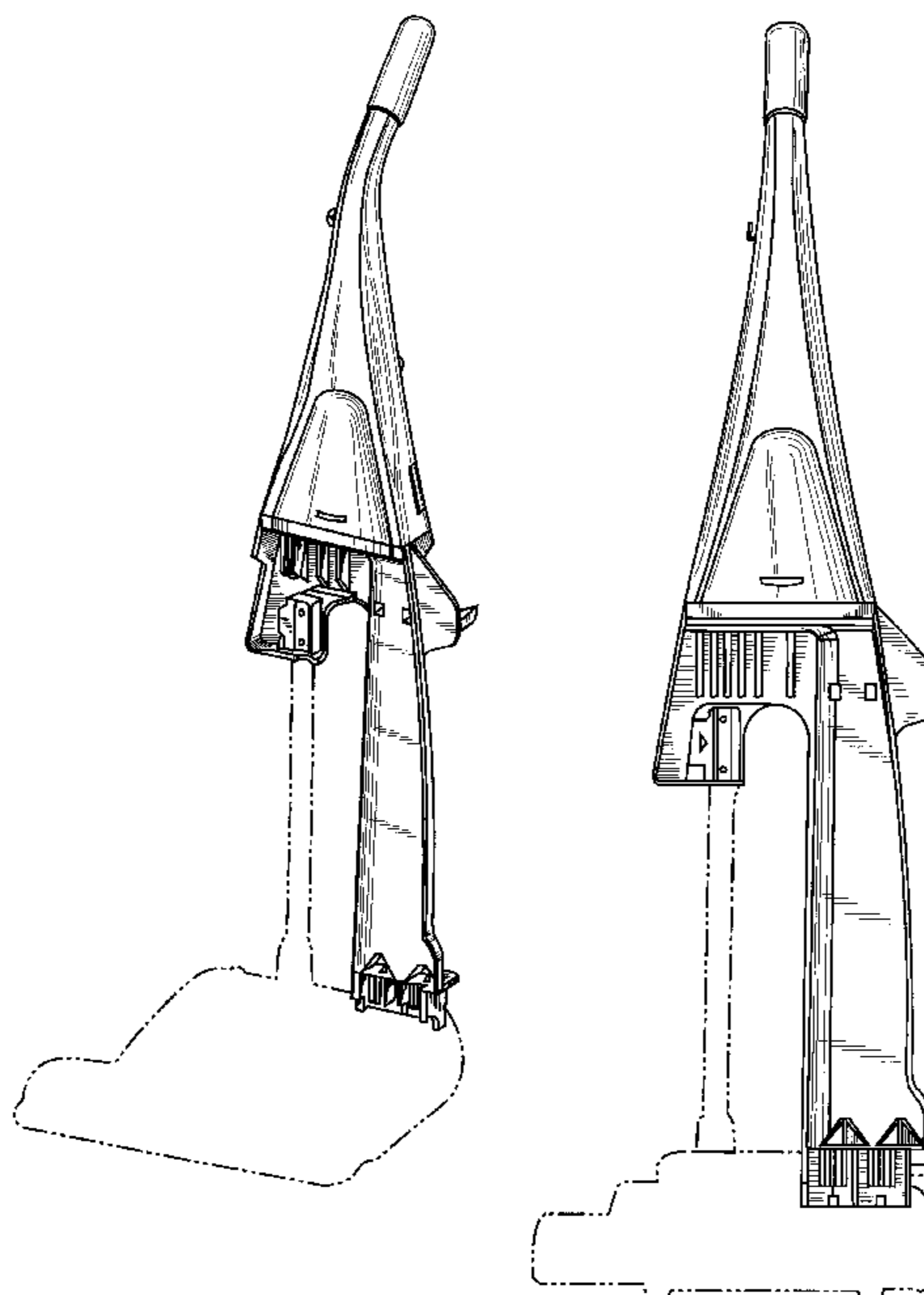
(57) **CLAIM**

We claim the design for a vacuum cleaner handle, as shown and described.

DESCRIPTION

FIG. 1 is a perspective view of a vacuum cleaner handle showing our new design;
 FIG. 2 is a front elevational view thereof;
 FIG. 3 is a right side elevational view thereof;
 FIG. 4 is a left side elevational view thereof;
 FIG. 5 is a rear view thereof;
 FIG. 6 is a top view thereof; and,
 FIG. 7 is a bottom view thereof.
 The details shown in broken lines in FIGS. 1-6 are for illustrative purposes only and form no part of the claimed design.

1 Claim, 5 Drawing Sheets



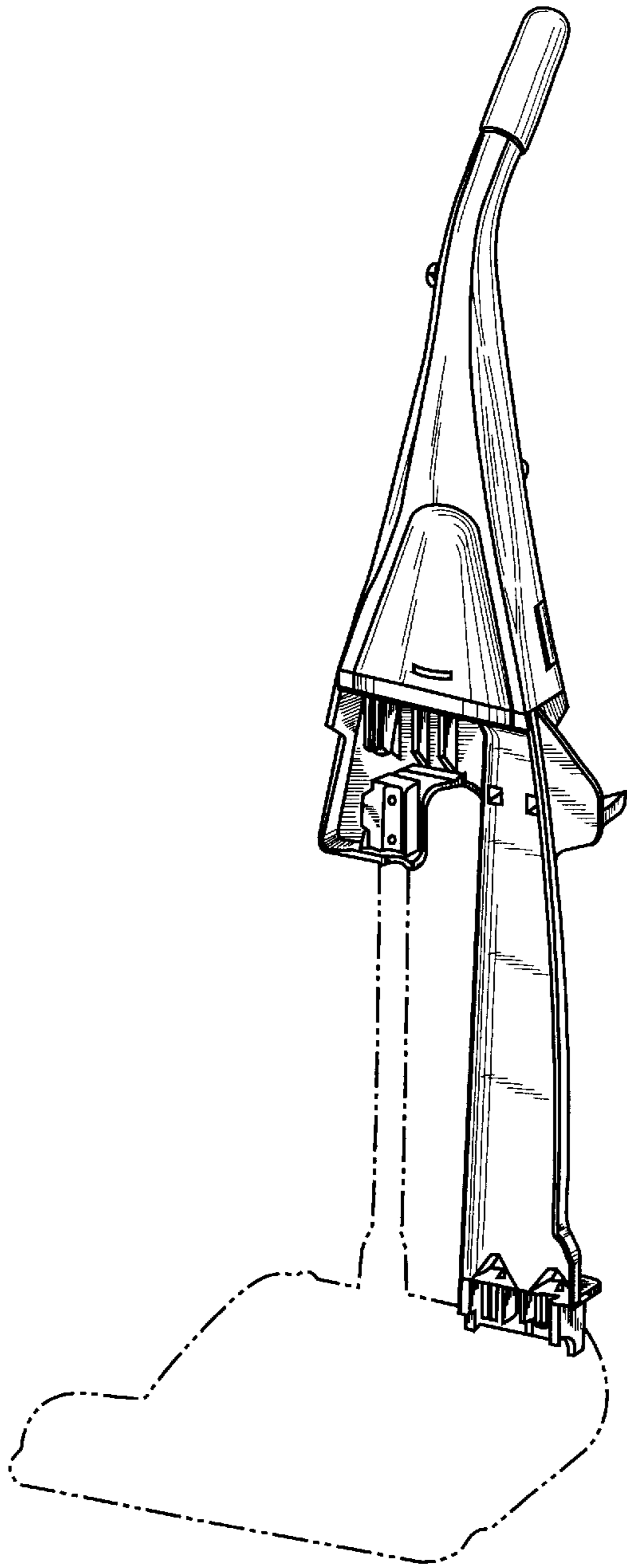


Fig. 1

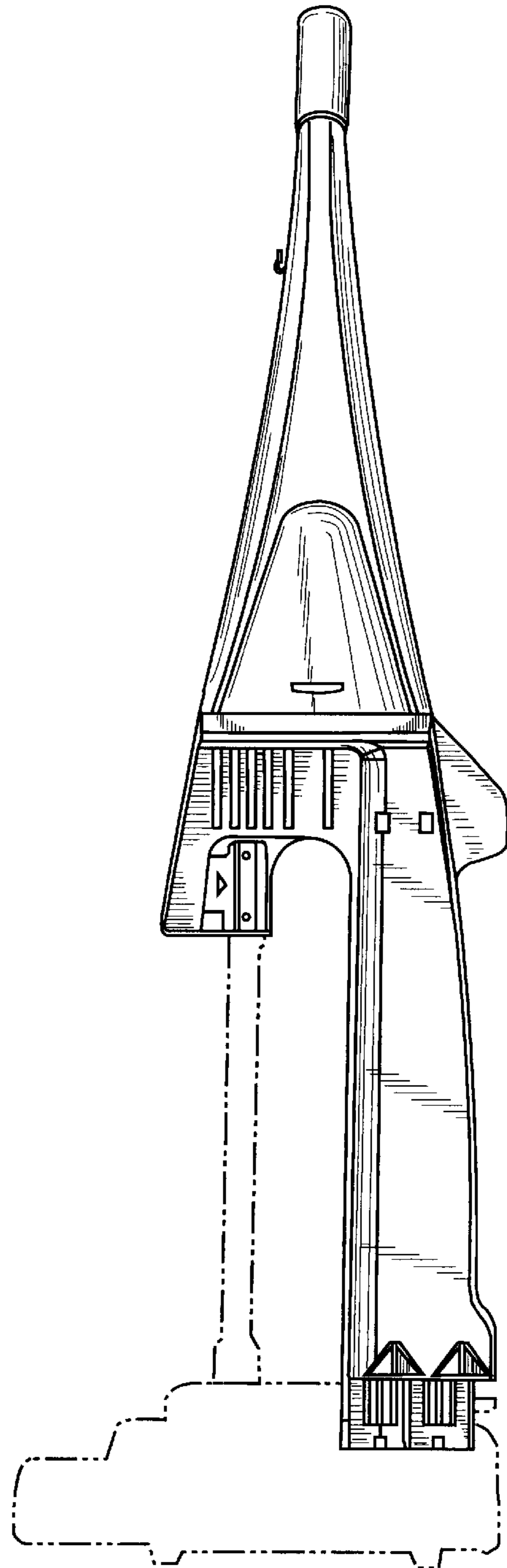


Fig. 2

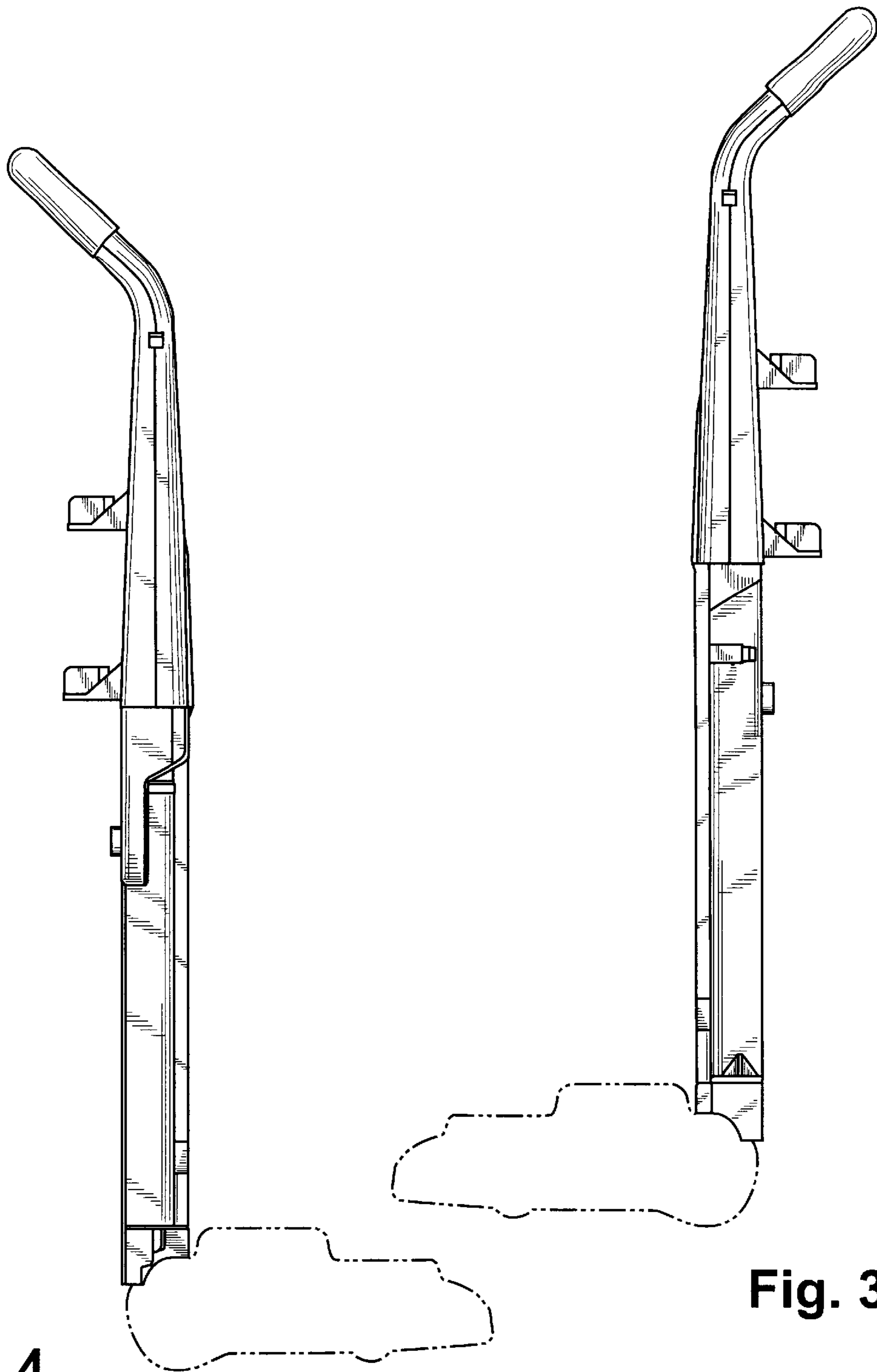


Fig. 4

Fig. 3

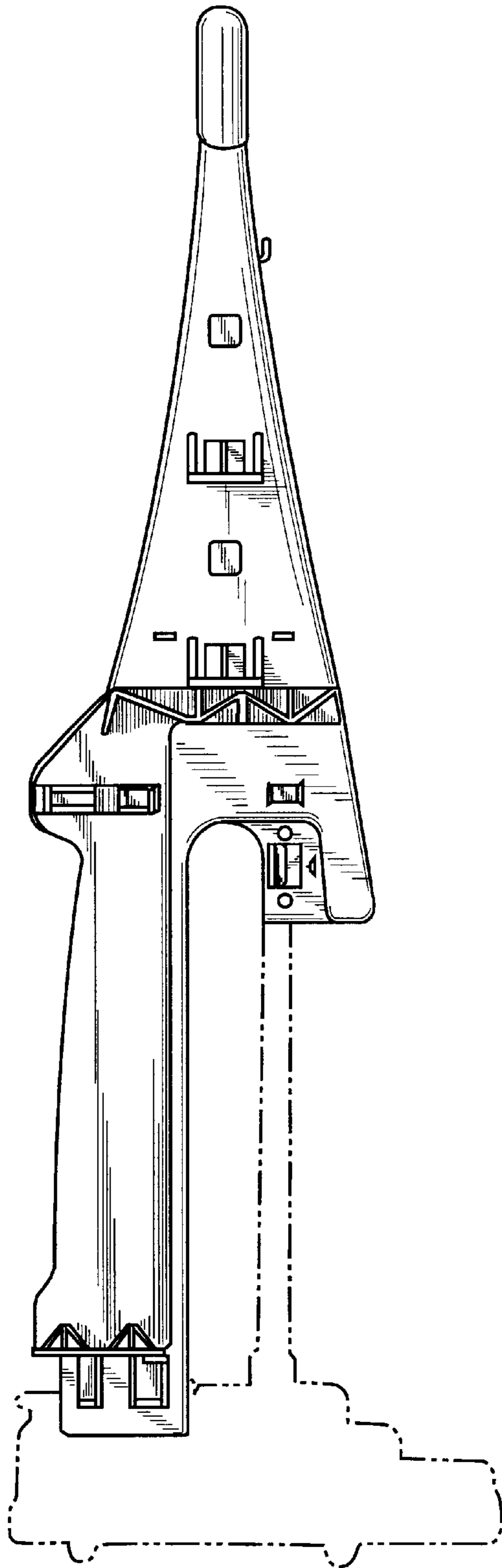


Fig. 5

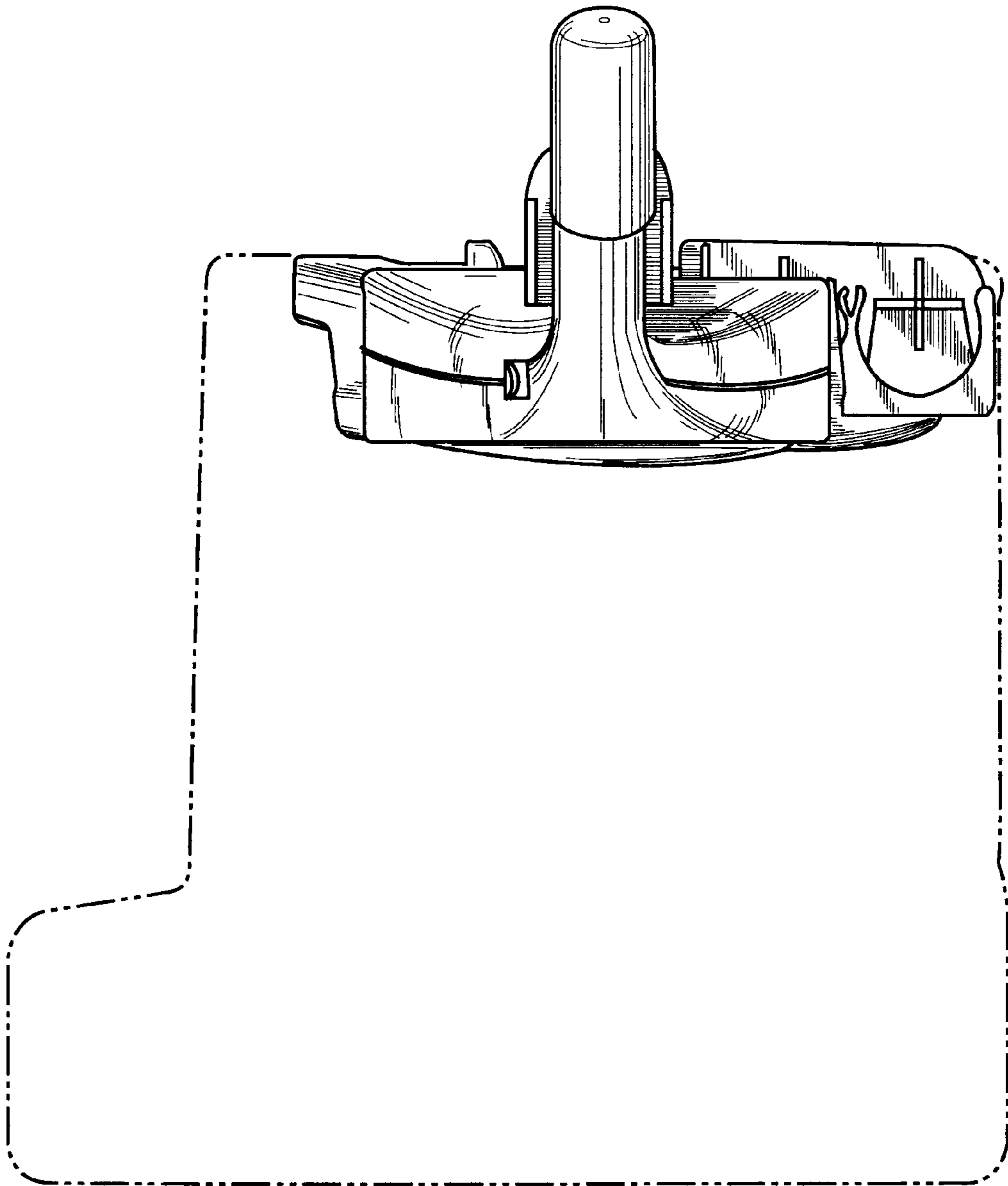


Fig. 6

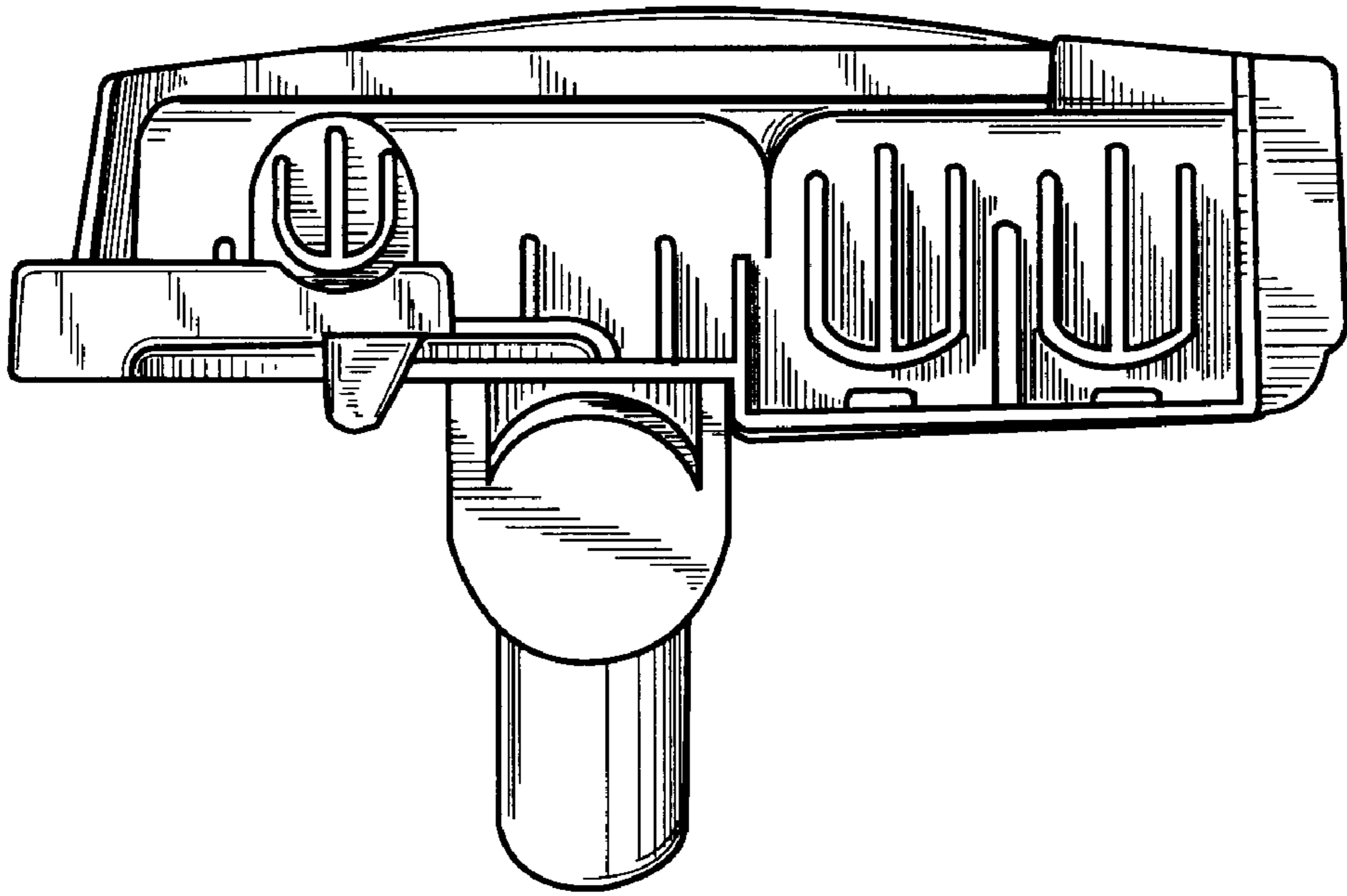


Fig. 7