



US00D441153S

(12) **United States Design Patent**
Costello

(10) **Patent No.:** **US D441,153 S**

(45) **Date of Patent:** **** Apr. 24, 2001**

(54) **LINT FILTER**

5,210,960 * 5/1993 LaRue 34/82

* cited by examiner

(75) Inventor: **James J. Costello**, Houston, TX (US)

Primary Examiner—Mitchell Siegel

(73) Assignee: **Equator Corporation**, Houston, TX (US)

(57) **CLAIM**

(**) Term: **14 Years**

The ornamental design for a lint filter, as shown and described.

(21) Appl. No.: **29/130,304**

DESCRIPTION

(22) Filed: **Sep. 29, 2000**

FIG. 1 is a front perspective view of a lint filter according to the present invention.

(51) **LOC (7) Cl.** **15-05**

FIG. 2 is a top view of the lint filter of FIG. 1.

(52) **U.S. Cl.** **D32/30**

FIG. 3 is a first side view of the lint filter of FIG. 1.

(58) **Field of Search** D32/25, 30; 34/82, 34/235, 86, 55, 133

FIG. 4 is a second side view of the lint filter of FIG. 1, opposite the first side shown in FIG. 3.

FIG. 5 is a front view of the lint filter of FIG. 1.

FIG. 6 is a rear view of the lint filter of FIG. 1; and,

FIG. 7 is a bottom perspective view of the lint filter of FIG. 1.

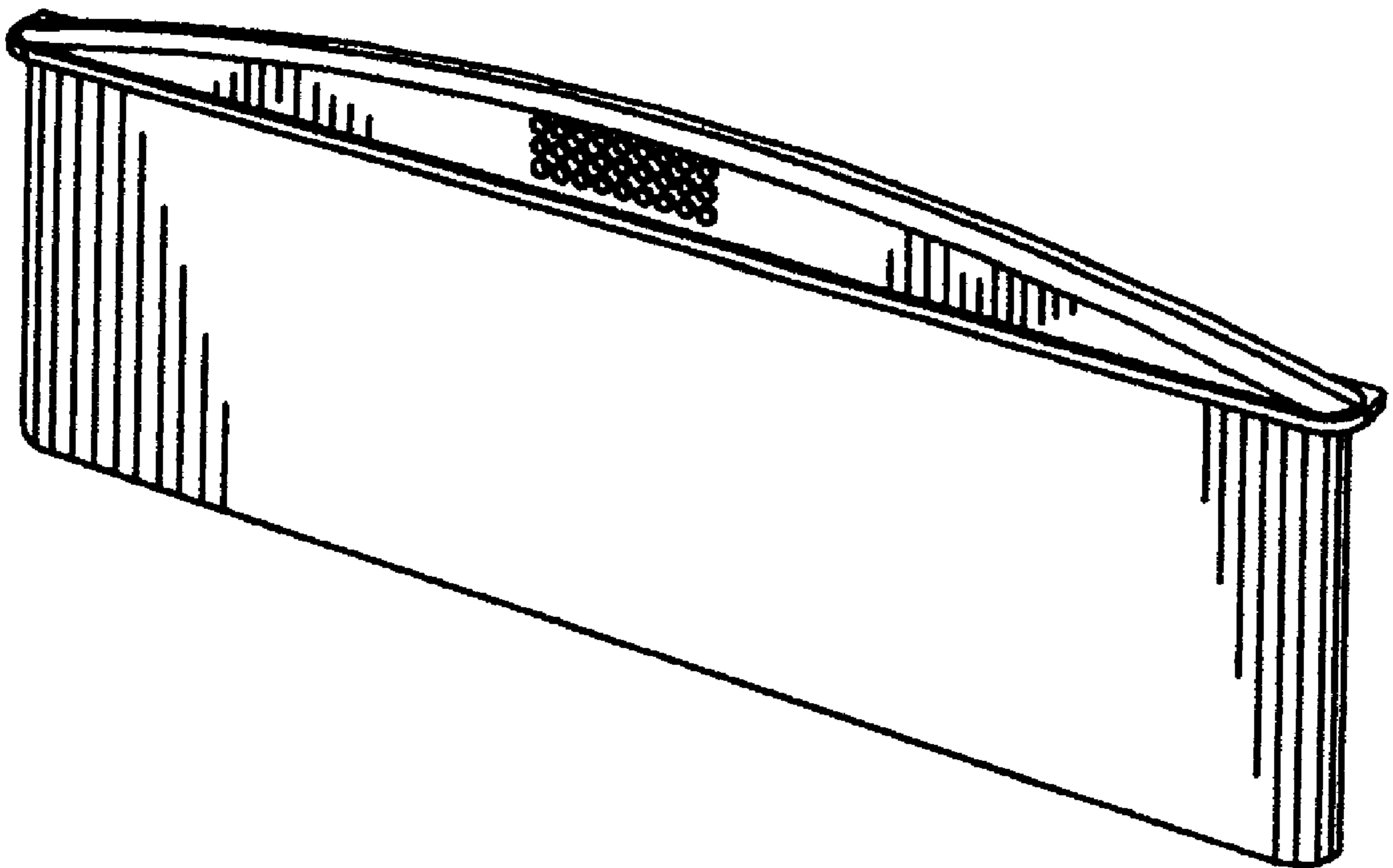
(56) **References Cited**

The shading lines are for illustrative purposes only and form no part of the claimed design.

U.S. PATENT DOCUMENTS

D. 314,261 * 1/1991 Carr et al. D32/25

1 Claim, 2 Drawing Sheets



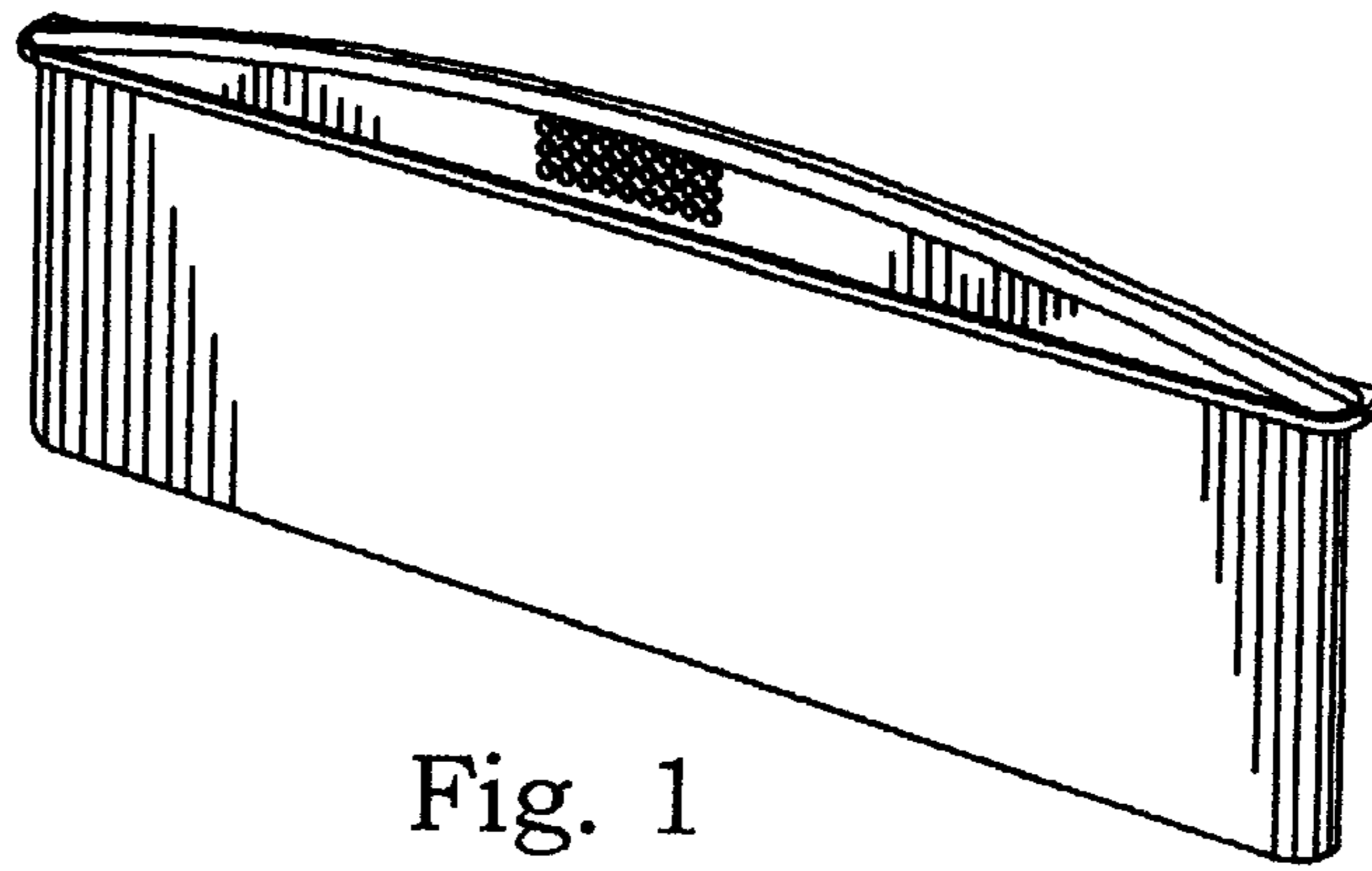


Fig. 1

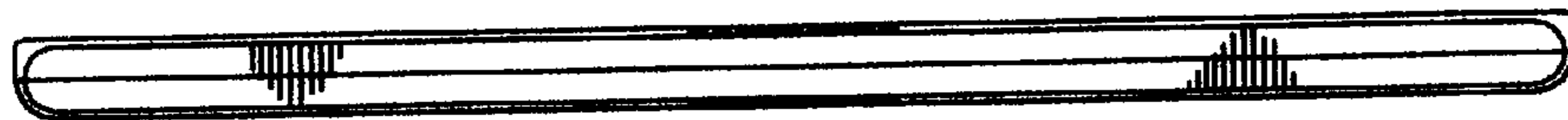


Fig. 2



Fig. 3



Fig. 4

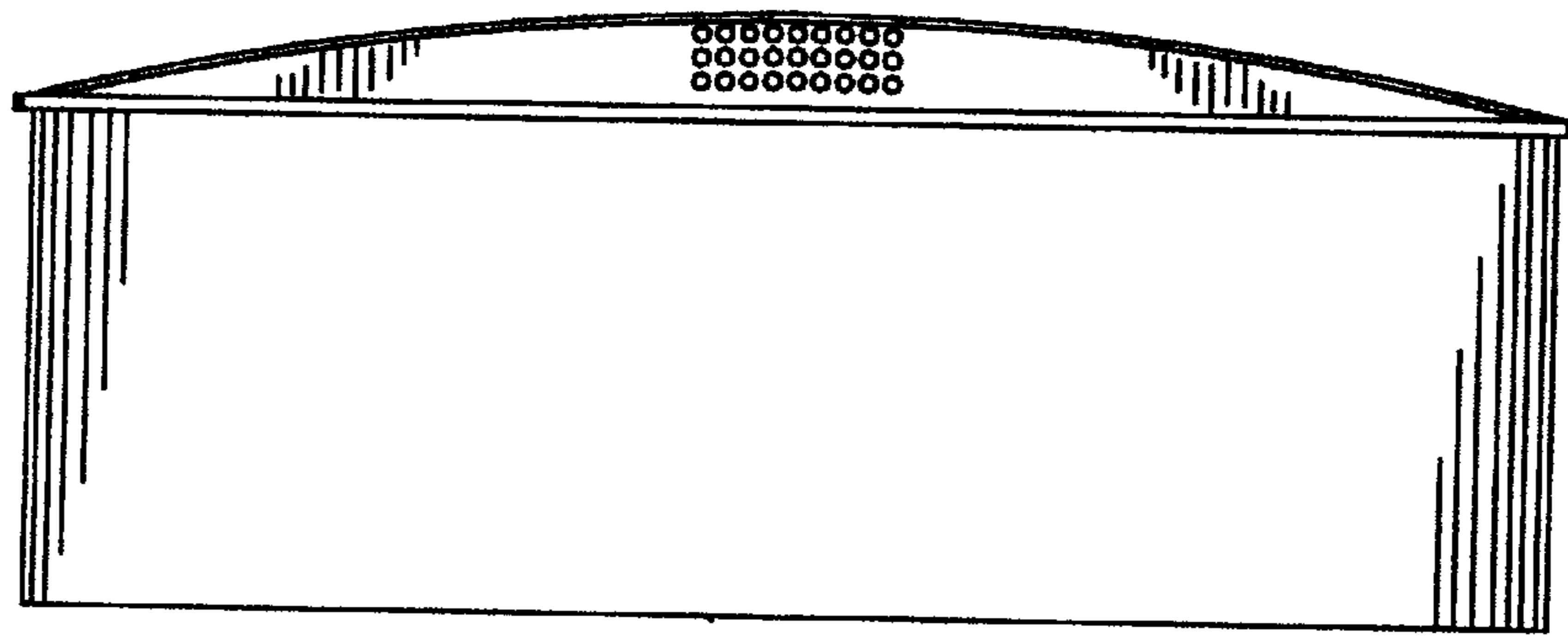


Fig. 5

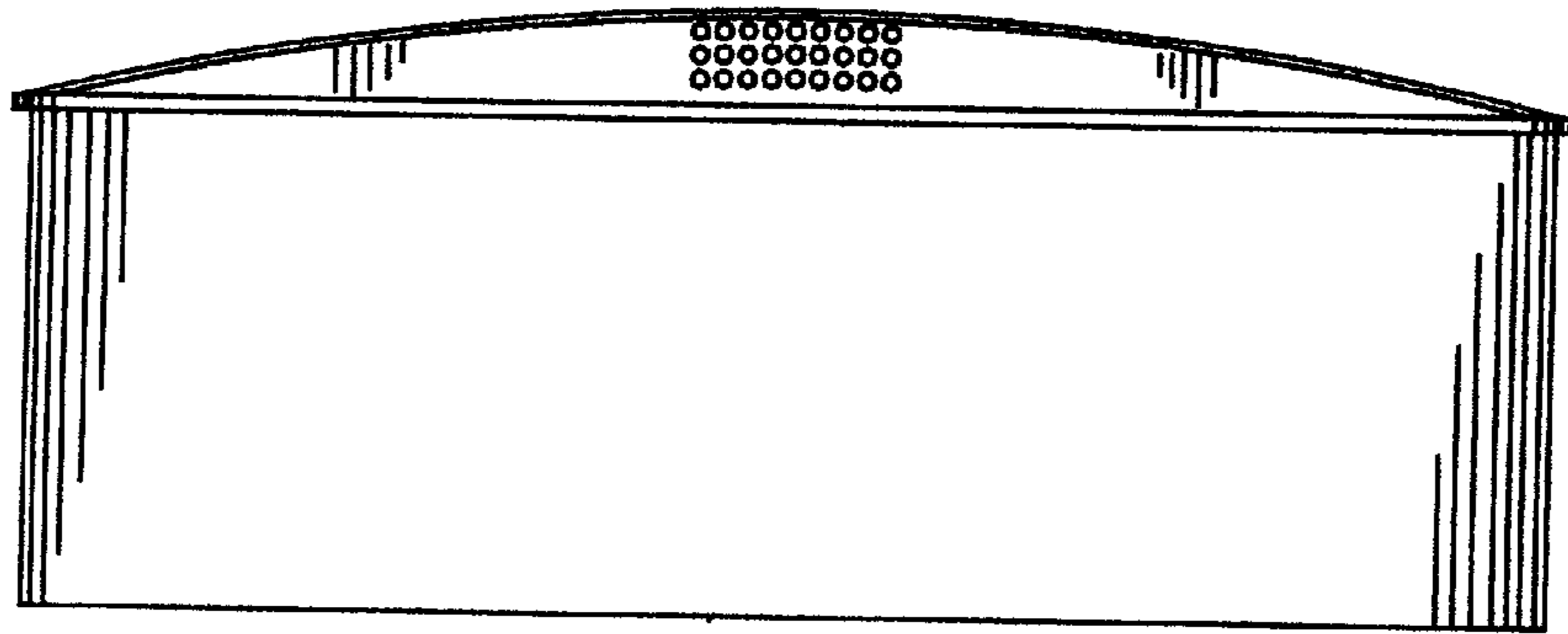


Fig. 6

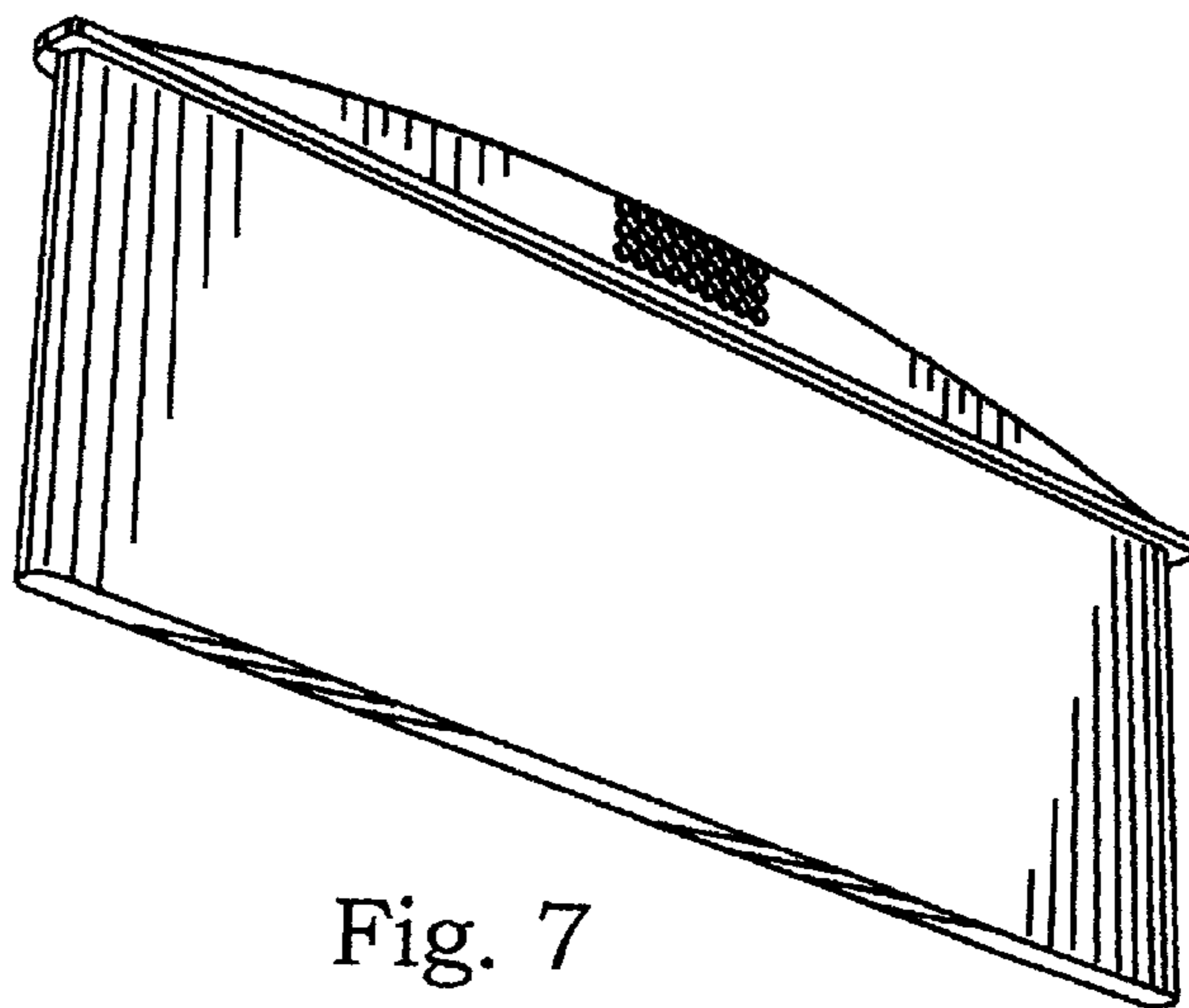


Fig. 7