



US00D441147S

(12) **United States Design Patent**
Huang

(10) **Patent No.:** **US D441,147 S**

(45) **Date of Patent:** **** Apr. 24, 2001**

(54) **BIRD CAGE TOP**

(76) Inventor: **Candy Huang**, 1F, No. 171, Fu-Hua Rd., Shih-Lin Dist., Taipei (TW)

(**) Term: **14 Years**

(21) Appl. No.: **29/125,768**

(22) Filed: **Jun. 30, 2000**

(51) **LOC (7) Cl.** **30-02**

(52) **U.S. Cl.** **D30/119; D30/114**

(58) **Field of Search** D30/108-112,
D30/114-117, 118-119; 119/452-453, 702-706,
28.5, 496, 482, 485, 497-498, 455, 161-171,
428-435, 459-471, 531

(56) **References Cited**

U.S. PATENT DOCUMENTS

46,579	*	2/1865	Osborn	D30/114
D. 127,806	*	6/1941	Little et al.	D30/114
D. 296,249	*	6/1988	Was	D30/116
D. 360,493	*	7/1995	Kohus et al.	D30/114
D. 372,561	*	8/1996	Lai	D30/119
D. 377,546	*	1/1997	King	D30/119
D. 386,833	*	11/1997	King	D30/119
D. 424,756	*	5/2000	Huang	D30/119
D. 426,035	*	5/2000	Huang	D30/119
1,907,194	*	5/1933	Webster	119/459

2,601,197	*	6/1952	Wilson	119/459
2,914,022	*	11/1959	Hinton	D30/114
3,029,788	*	4/1962	Voss	119/459
3,672,332	*	6/1972	MacLeod et al.	119/471
5,000,121	*	3/1991	Daily	119/459

* cited by examiner

Primary Examiner—Cathy Anne MacCormac

(74) *Attorney, Agent, or Firm*—Bacon & Thomas, PLLC

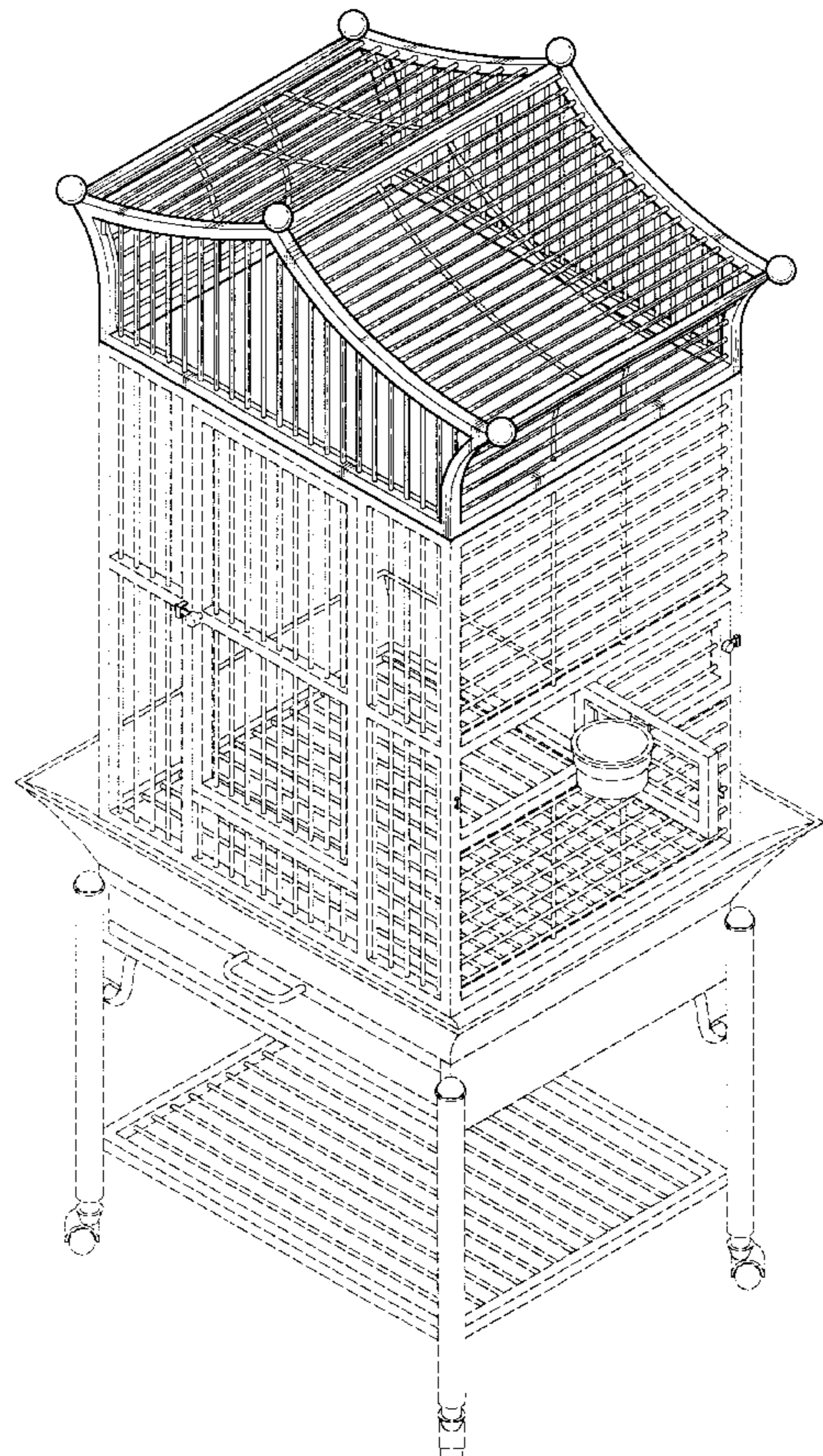
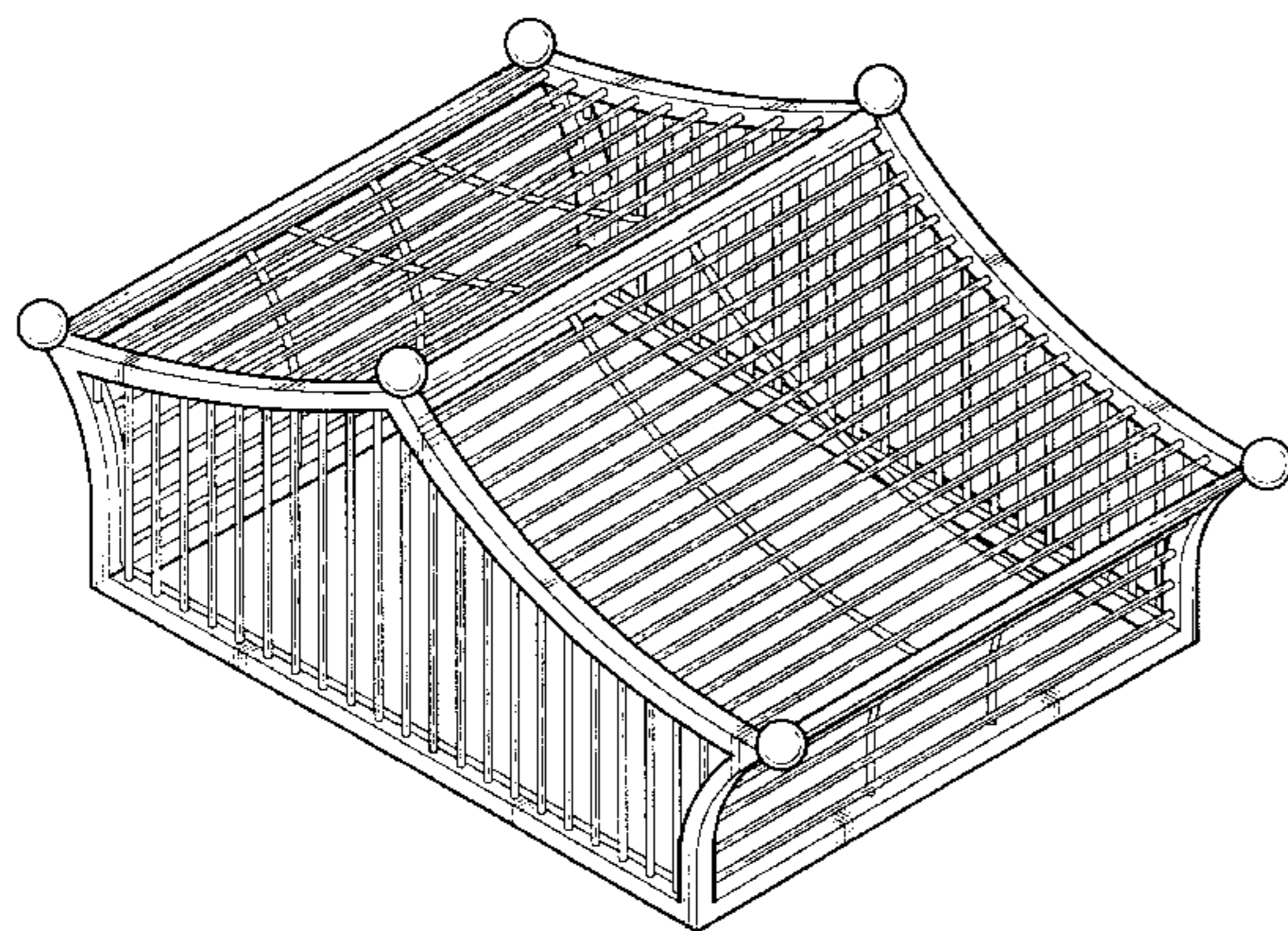
(57) **CLAIM**

The ornamental design for bird cage top, as shown and described.

DESCRIPTION

FIG. 1 is a perspective view of bird cage top showing my new design thereof;
 FIG. 2 is a right side elevational view thereof;
 FIG. 3 is a top plan view thereof;
 FIG. 4 is a front side elevational view thereof;
 FIG. 5 is a bottom plan view thereof;
 FIG. 6 is a left side elevational view thereof;
 FIG. 7 is a rear side elevational view thereof; and,
 FIG. 8 is a perspective view thereof shown in using position.
 The broken lines are for purposes of illustration only and form no part of the claimed design.

1 Claim, 5 Drawing Sheets



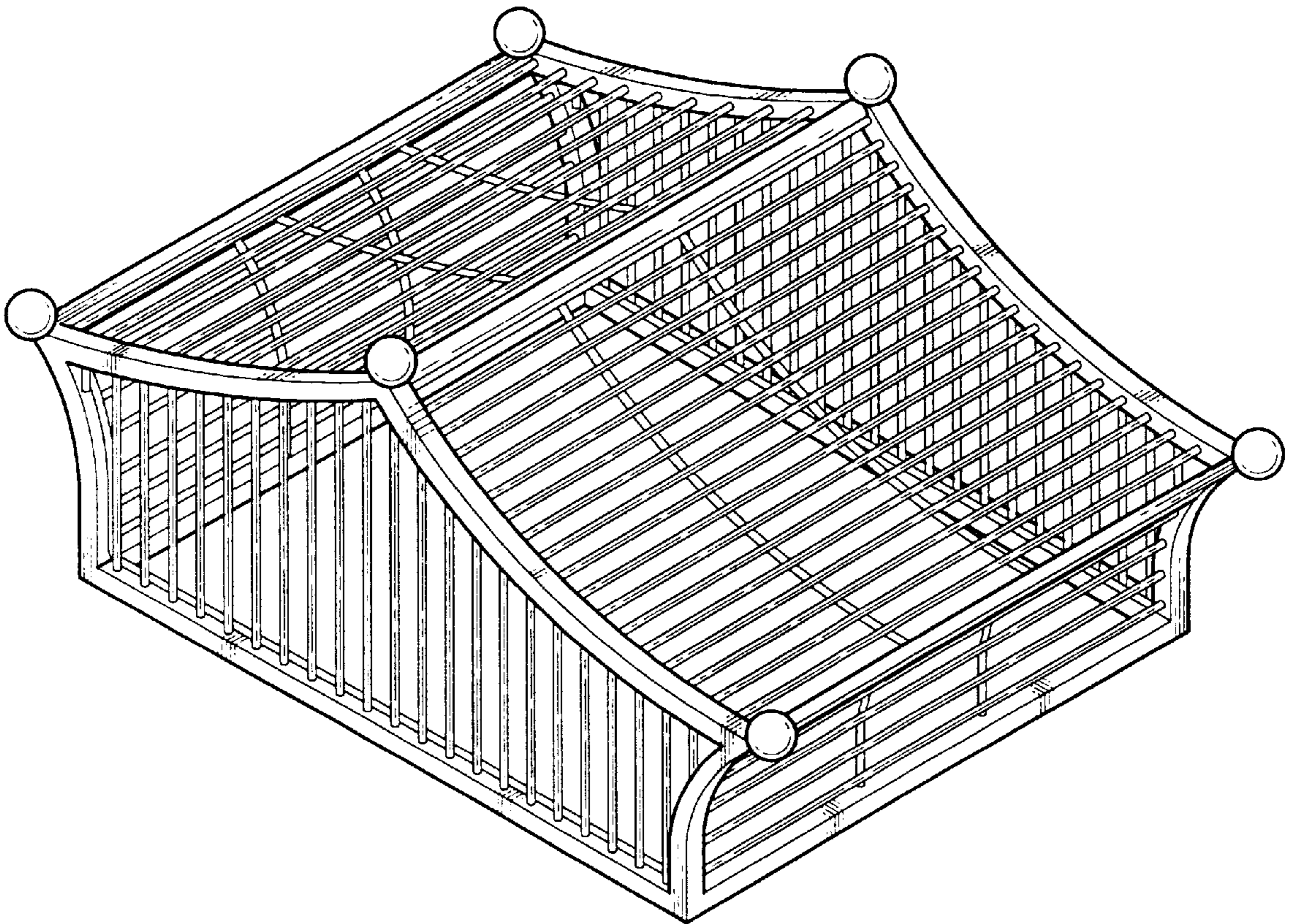


Fig. 1

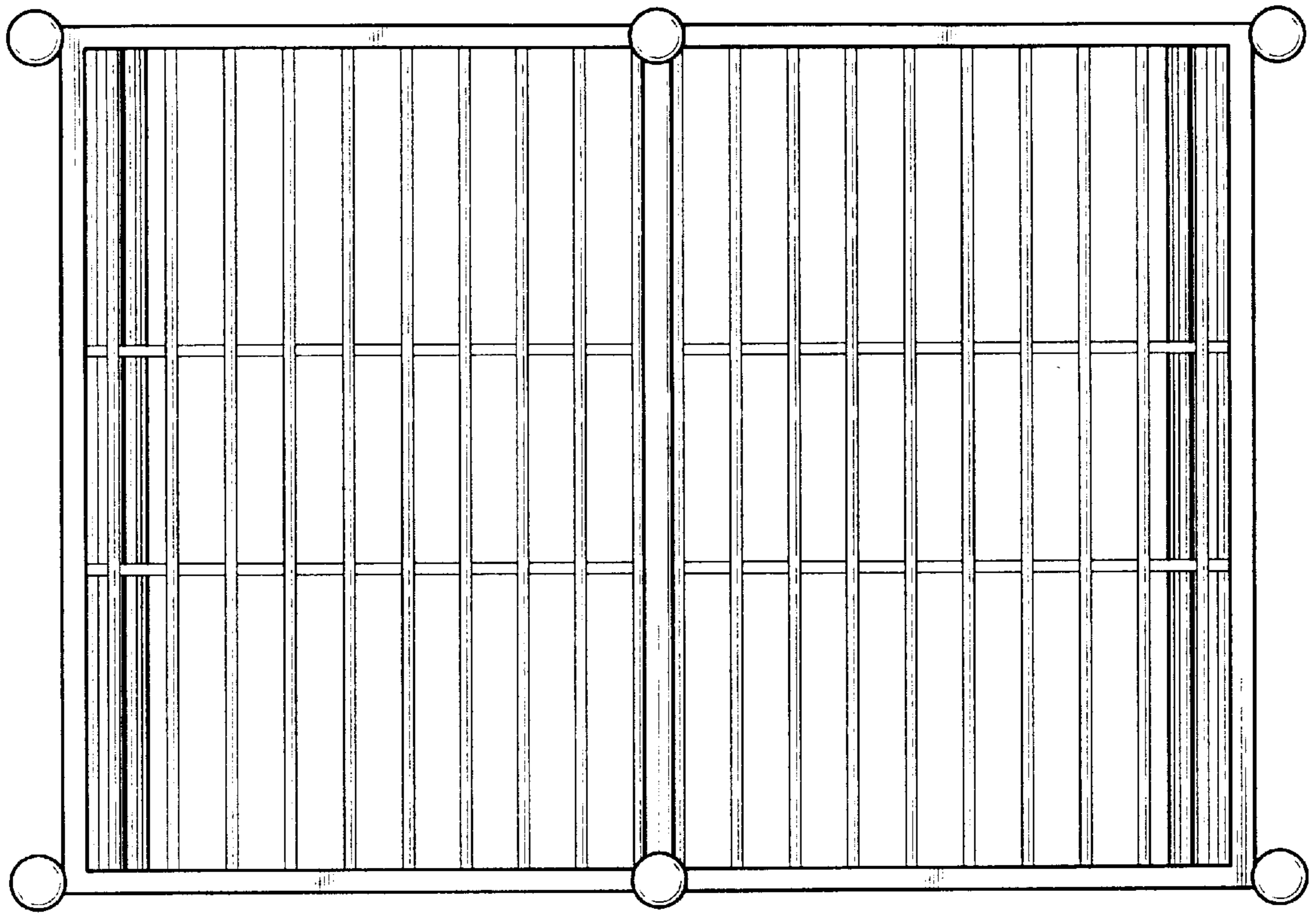


Fig. 3

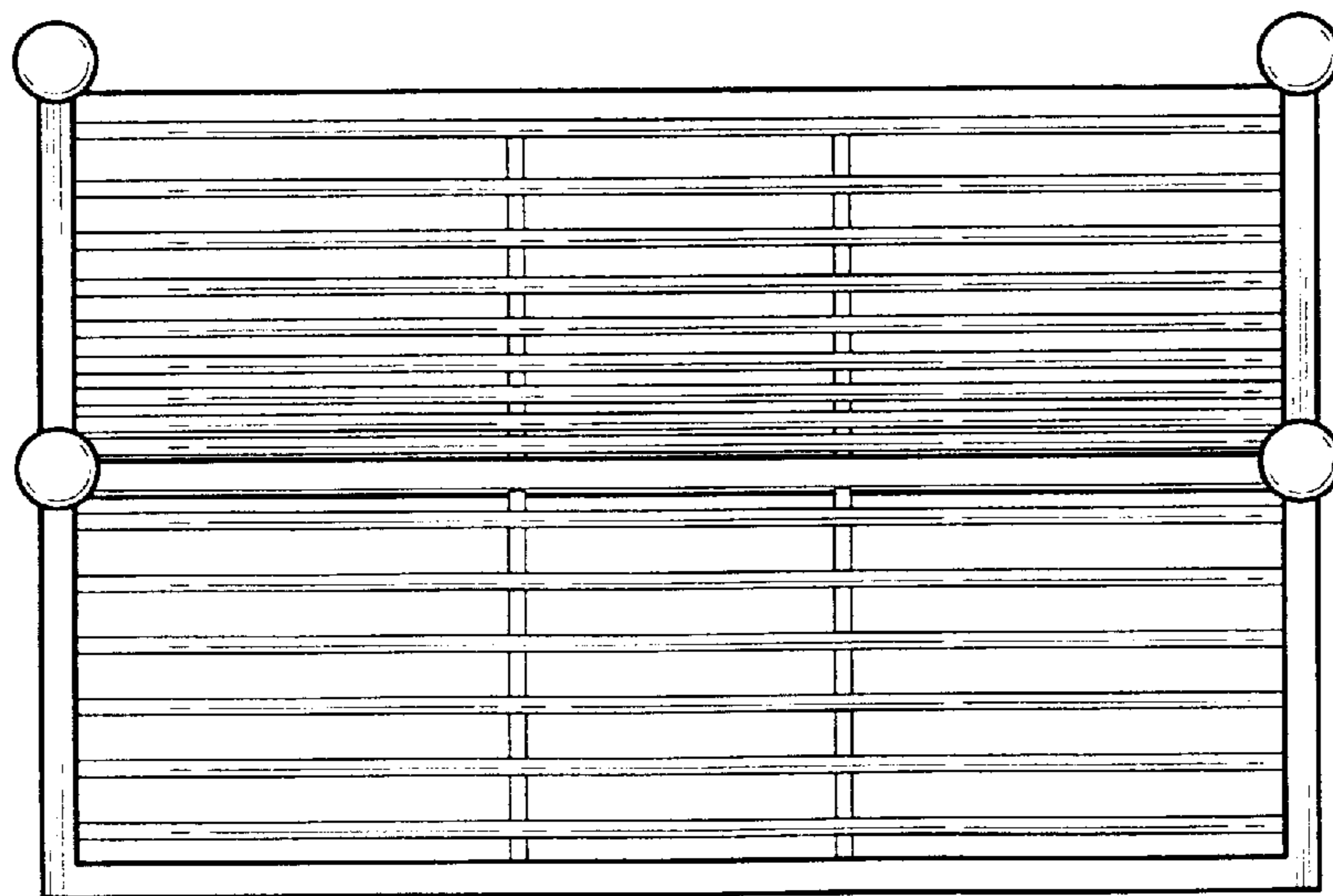


Fig. 2

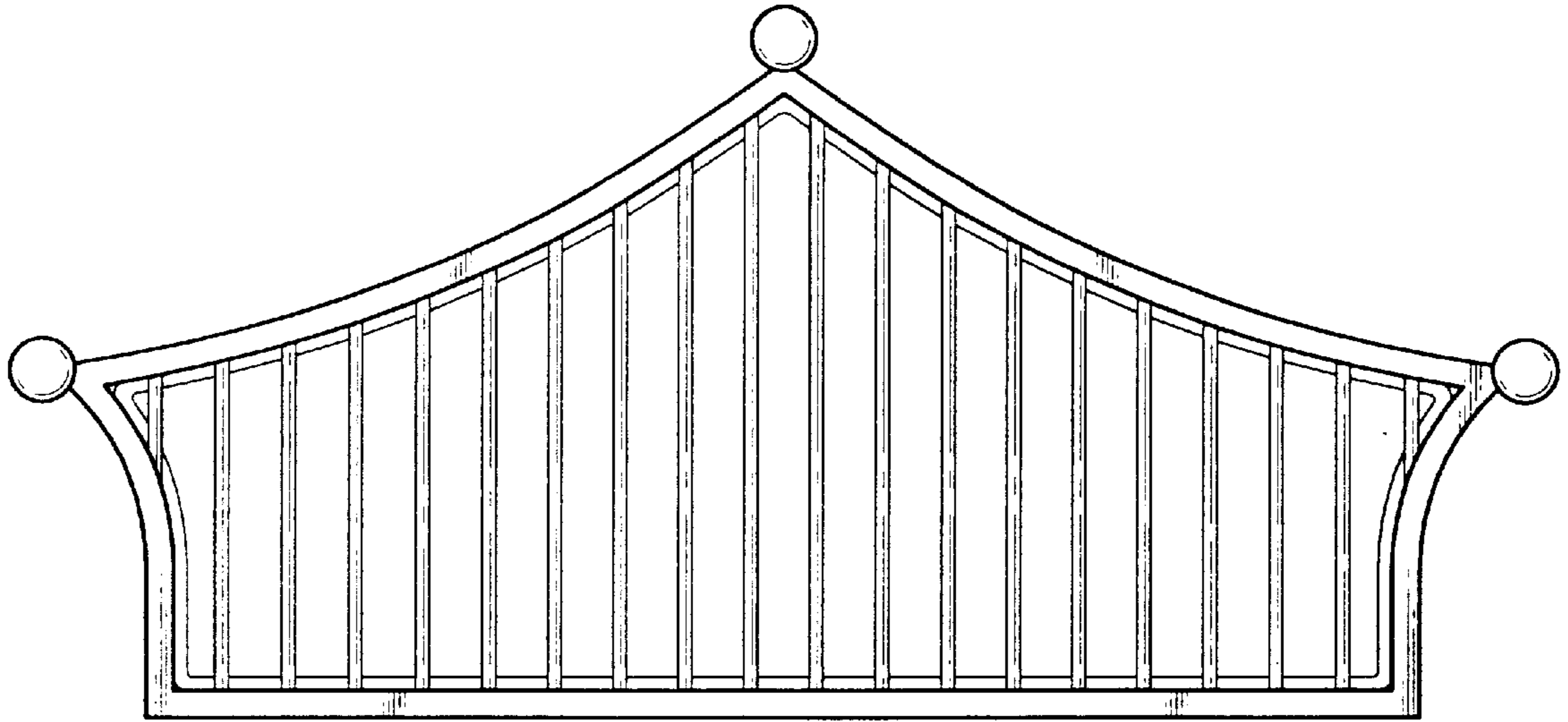


Fig. 4

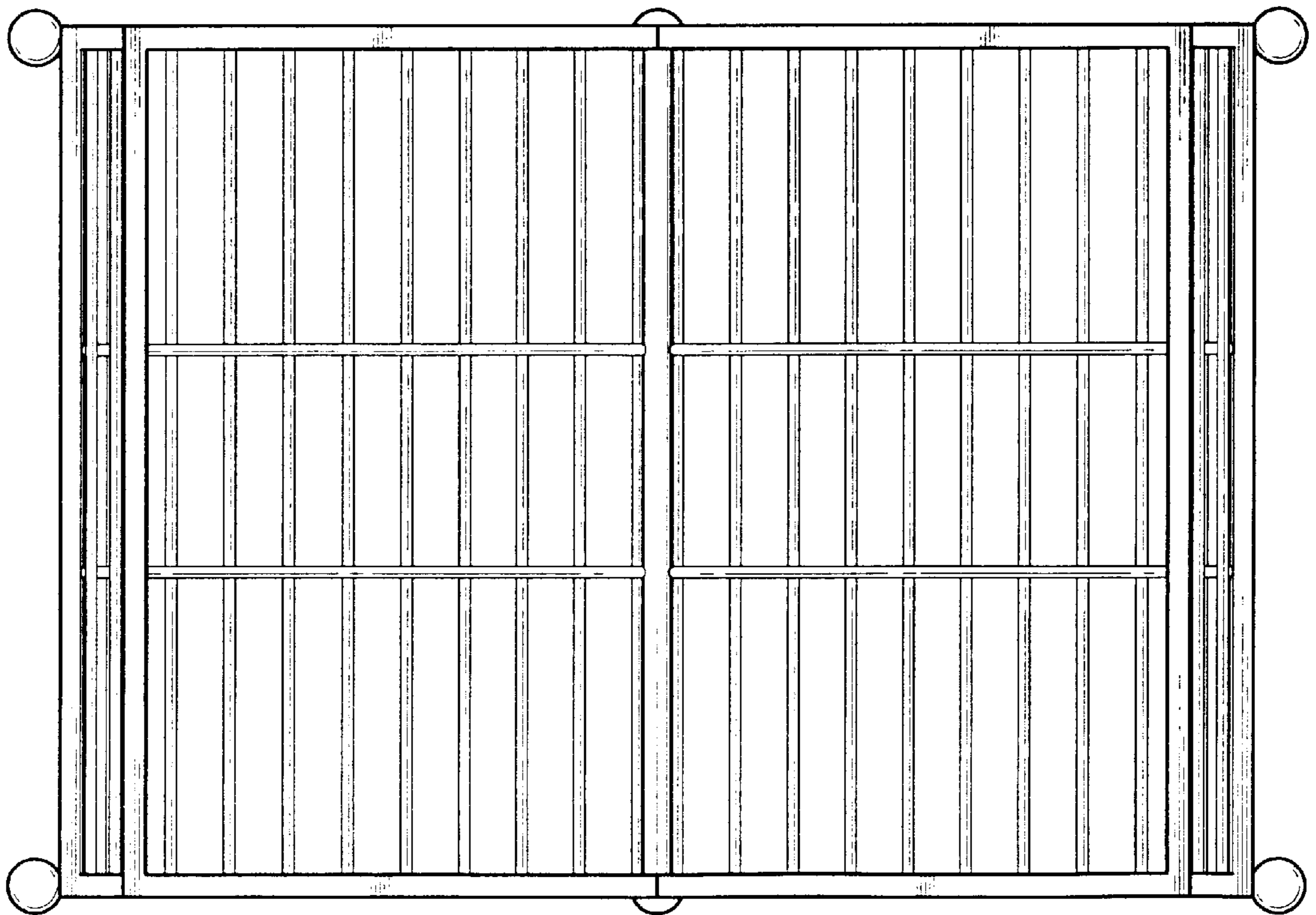


Fig. 5

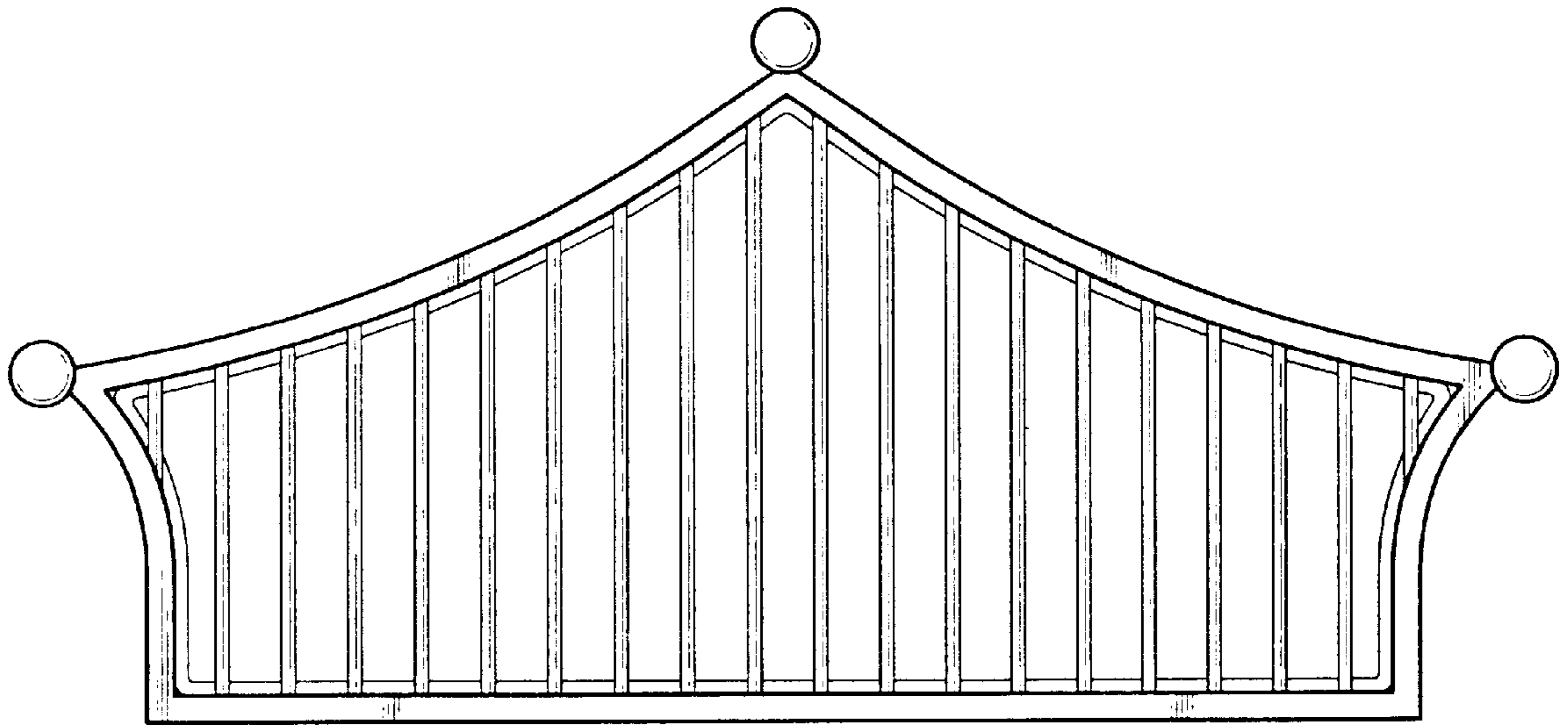


Fig. 7

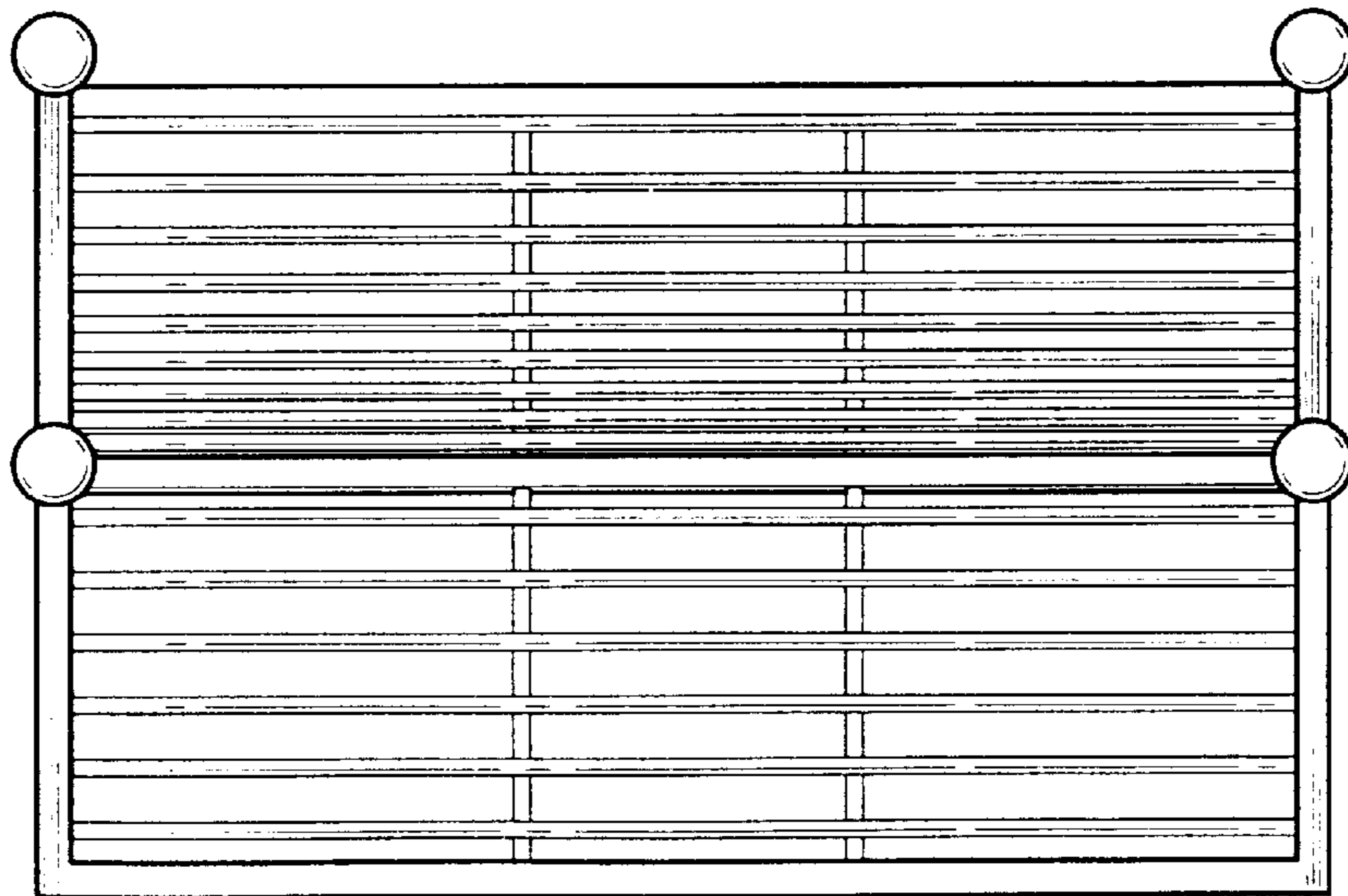


Fig. 6

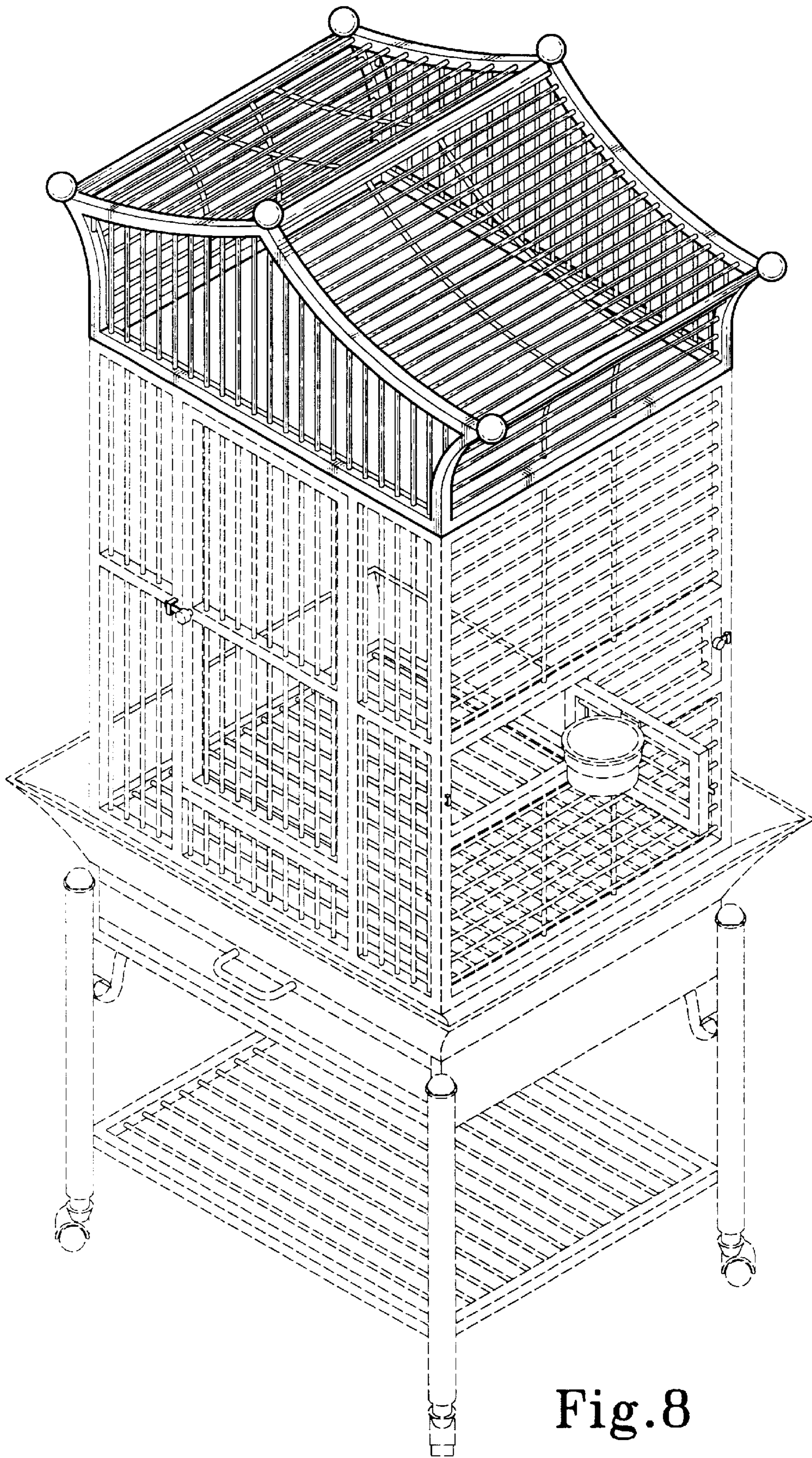


Fig. 8