



US00D441142S

(12) **United States Design Patent**
Doyscher

(10) **Patent No.:** **US D441,142 S**

(45) **Date of Patent:** **** Apr. 24, 2001**

(54) **DENTAL FLOSS DISPENSER AND APPLICATOR**

5,823,207 * 10/1998 Bushman 132/323
6,006,762 * 7/1999 Hsia 132/327

(76) Inventor: **Michael A. Doyscher**, 123 Martin Lane, LaSalle, Ontario (CA), N9J 3E2

* cited by examiner

Primary Examiner—Antoine Duval Davis

(**) Term: **14 Years**

(74) *Attorney, Agent, or Firm*—Warn IP Law Office

(21) Appl. No.: **29/121,232**

(57) **CLAIM**

(22) Filed: **Apr. 3, 2000**

The ornamental design for a dental floss dispenser and applicator, as shown and described.

(51) **LOC (7) Cl.** **28-03**

DESCRIPTION

(52) **U.S. Cl.** **D28/65; D24/152; D28/68**

(58) **Field of Search** **D24/152; D28/68, D28/65; 132/321-327**

FIG. 1 is a top perspective view of a dental floss dispenser and applicator showing our new design;

FIG. 2 is an end view thereof;

FIG. 3 is a top elevational view thereof;

FIG. 4 is a second end view thereof;

FIG. 5 is a right side view thereof;

FIG. 6 is a left side view thereof; and,

FIG. 7 is a bottom elevational view thereof.

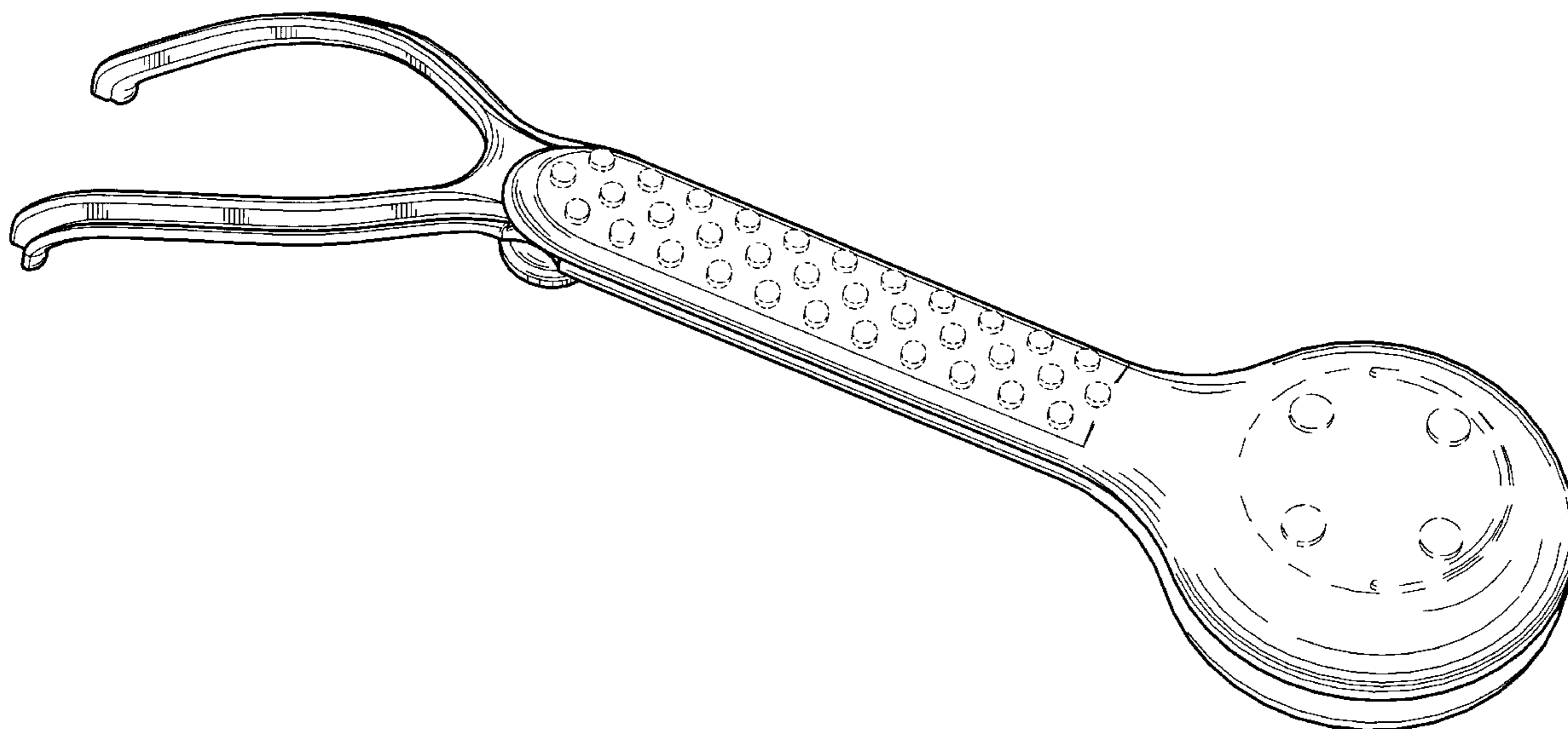
Elements shown in dotted are environmental only, and form no part of the claimed design.

(56) **References Cited**

U.S. PATENT DOCUMENTS

D. 231,617	*	5/1974	Lucas	D28/68
D. 274,759	*	7/1984	Starks	D28/68 X
D. 313,091	*	12/1990	Kao	D28/68
3,882,879	*	5/1975	Lucas	132/326
4,518,000	*	5/1985	Leverette	132/326
5,417,232	*	5/1995	Ballard	132/325
5,579,786	*	12/1996	Wolk et al.	132/322

1 Claim, 4 Drawing Sheets



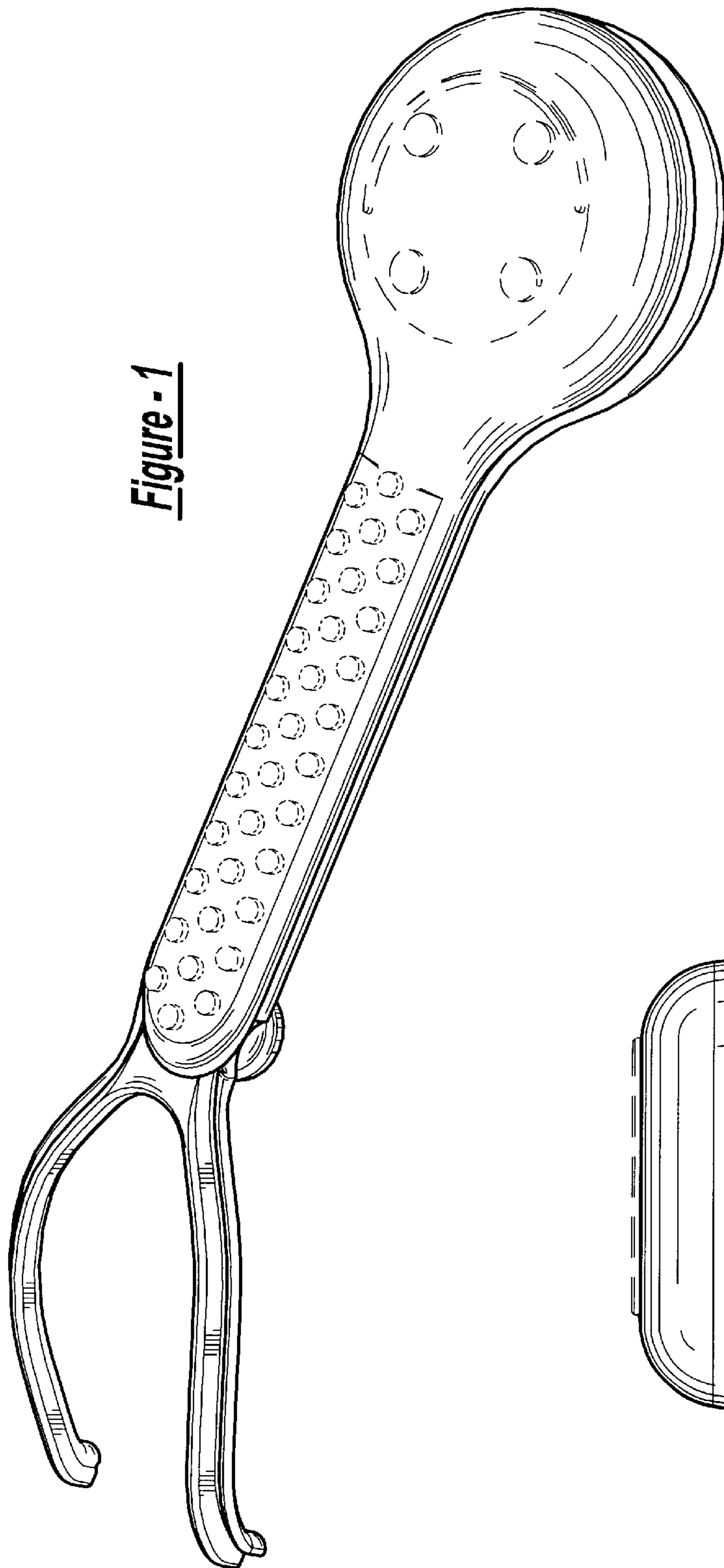


Figure - 1

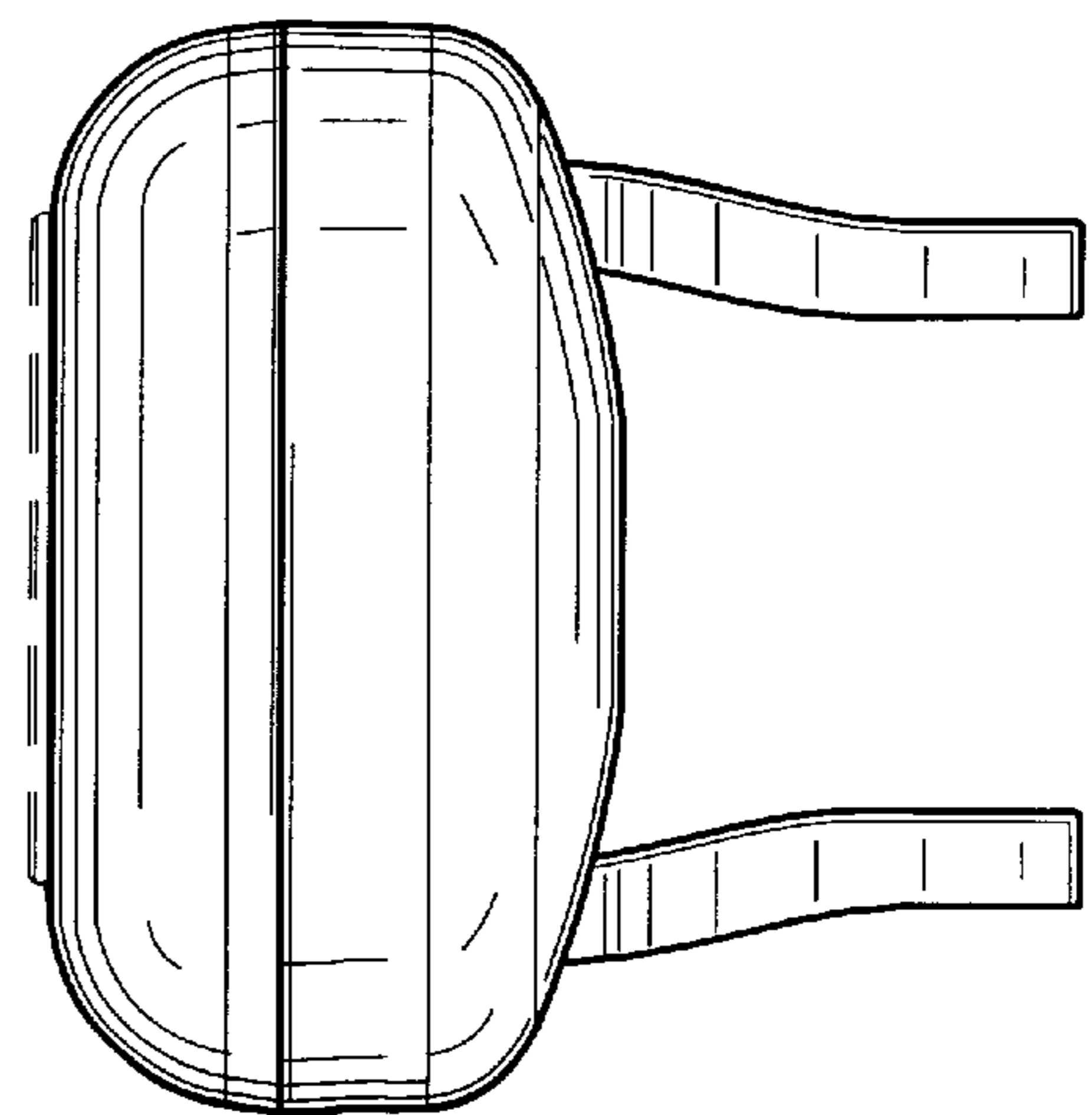


Figure - 2

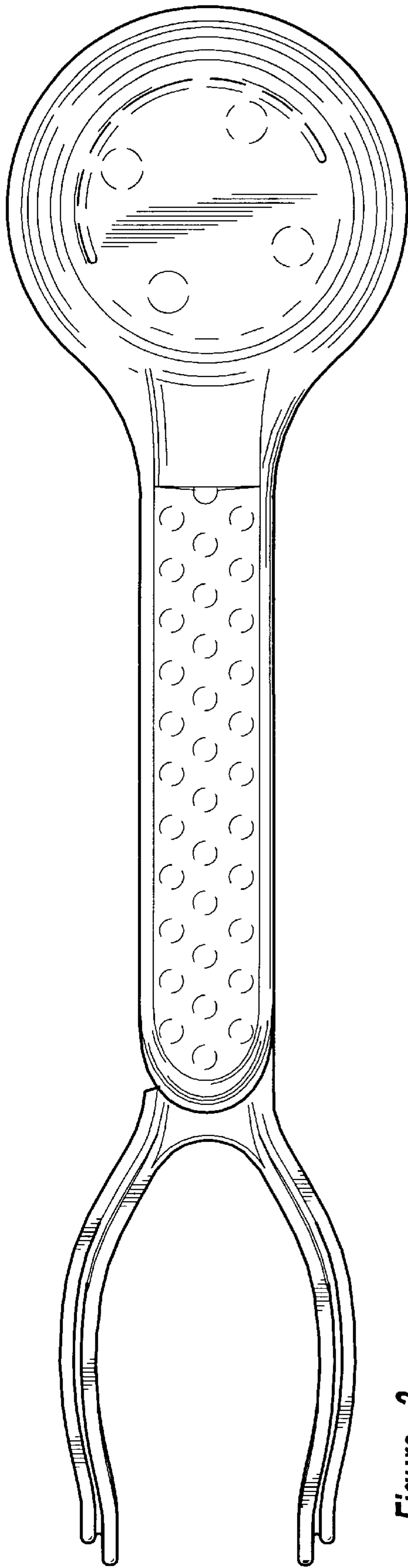


Figure - 3

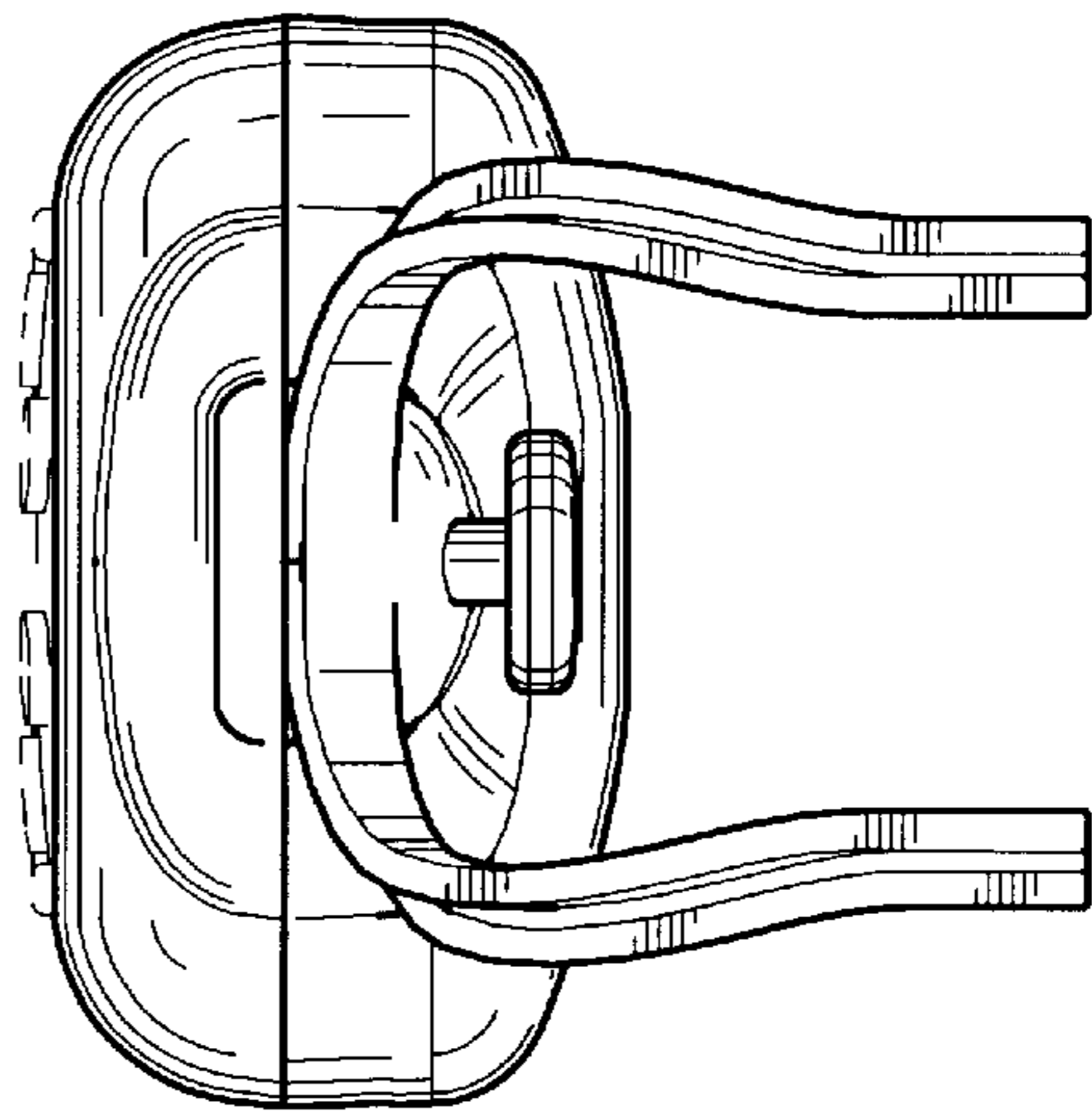


Figure - 4

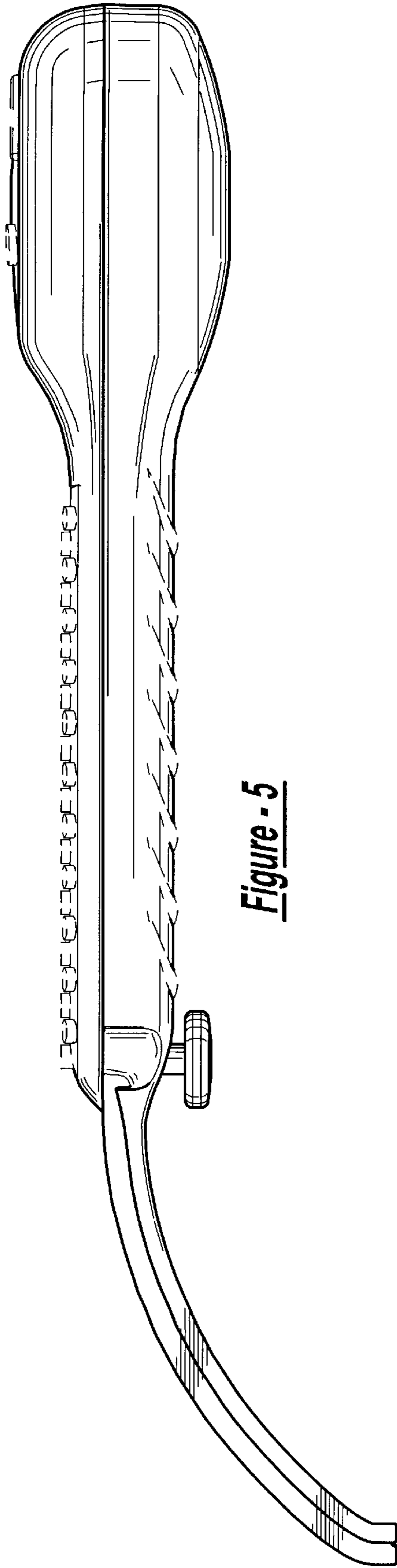


Figure - 5

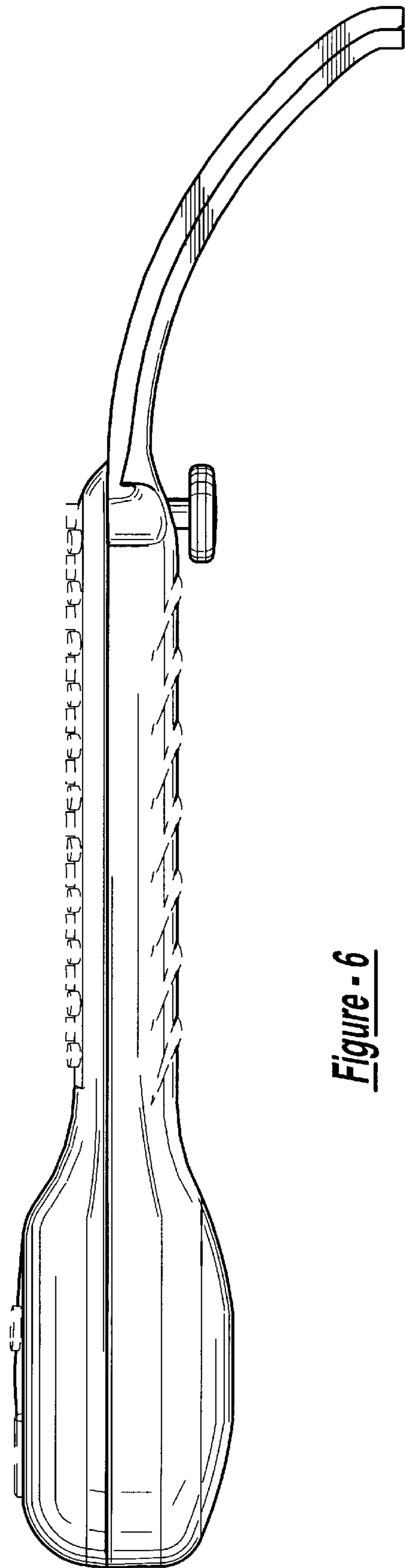


Figure - 6

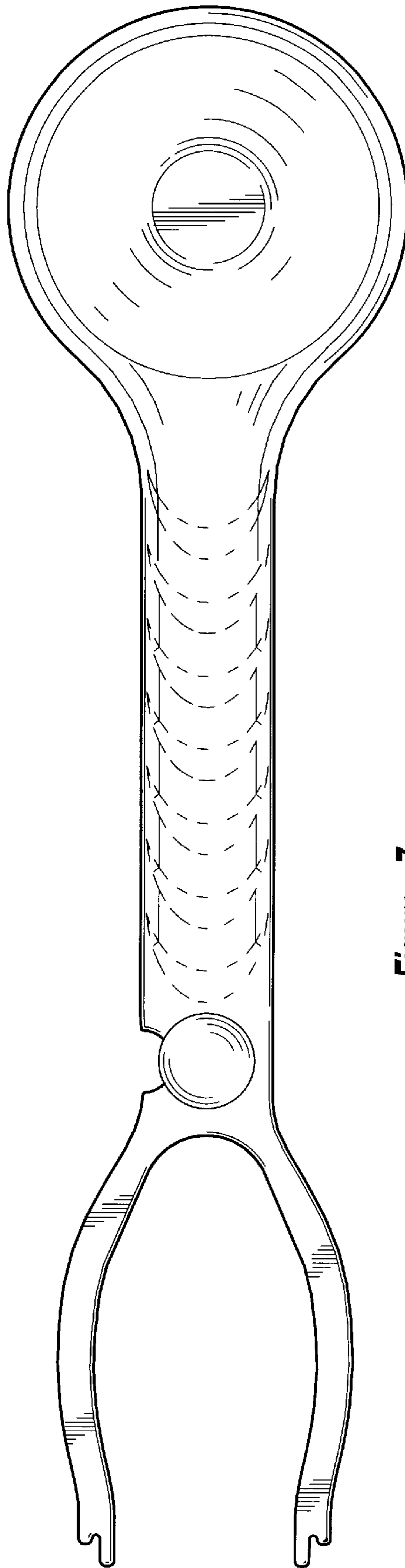


Figure - 7