



US00D441140S

(12) **United States Design Patent**  
**Orth et al.**

(10) **Patent No.:** **US D441,140 S**

(45) **Date of Patent:** **\*\* Apr. 24, 2001**

(54) **DEVICE TO SUPPORT AND TO SWIVEL  
SMALL BOTTLES, ESPECIALLY NAIL  
VARNISH BOTTLES**

D. 240,861 \* 8/1976 Armbruster ..... D16/131  
D. 253,059 \* 10/1979 Speaker ..... D16/131  
D. 302,744 \* 8/1989 Flynn ..... D28/61  
3,952,481 \* 4/1976 Albertsen ..... 248/228.6 X  
5,149,029 \* 9/1992 Smith ..... 248/124.2

(76) Inventors: **Victoria Orth; Karl-Heinz Orth**, both  
of Am Judenpfad 9, D-76835  
Roschbach (DE)

\* cited by examiner

(\*\*) Term: **14 Years**

*Primary Examiner*—Paula A. Mortimer  
(74) *Attorney, Agent, or Firm*—Horst M. Kasper

(21) Appl. No.: **29/113,382**

(57) **CLAIM**

(22) Filed: **Jan. 19, 2000**

The ornamental design for a device to support and to swivel  
small bottles, especially nail varnish bottles, as shown and  
described.

(30) **Foreign Application Priority Data**

May 3, 1999 (DE) ..... 499 04 283

**DESCRIPTION**

(51) **LOC (7) Cl.** ..... **28-03**

(52) **U.S. Cl.** ..... **D28/61**

(58) **Field of Search** ..... D28/17, 18, 56,  
D28/59, 61, 76; D8/71, 72, 73; D4/116;  
D6/323, 325, 327; 248/124.2, 183.1, 228.6;  
132/7, 9, 73, 73.6; 359/376, 390, 801; D16/131

FIG. 1 is a perspective view of a device to support and to  
swivel small bottles, especially nail varnish bottles showing  
our new design;

FIG. 2 is a top plan view thereof;

FIG. 3 is a bottom view thereof;

FIG. 4 is a rear elevational view thereof;

FIG. 5 is a front elevational view thereof;

FIG. 6 is a left elevational view thereof; and,

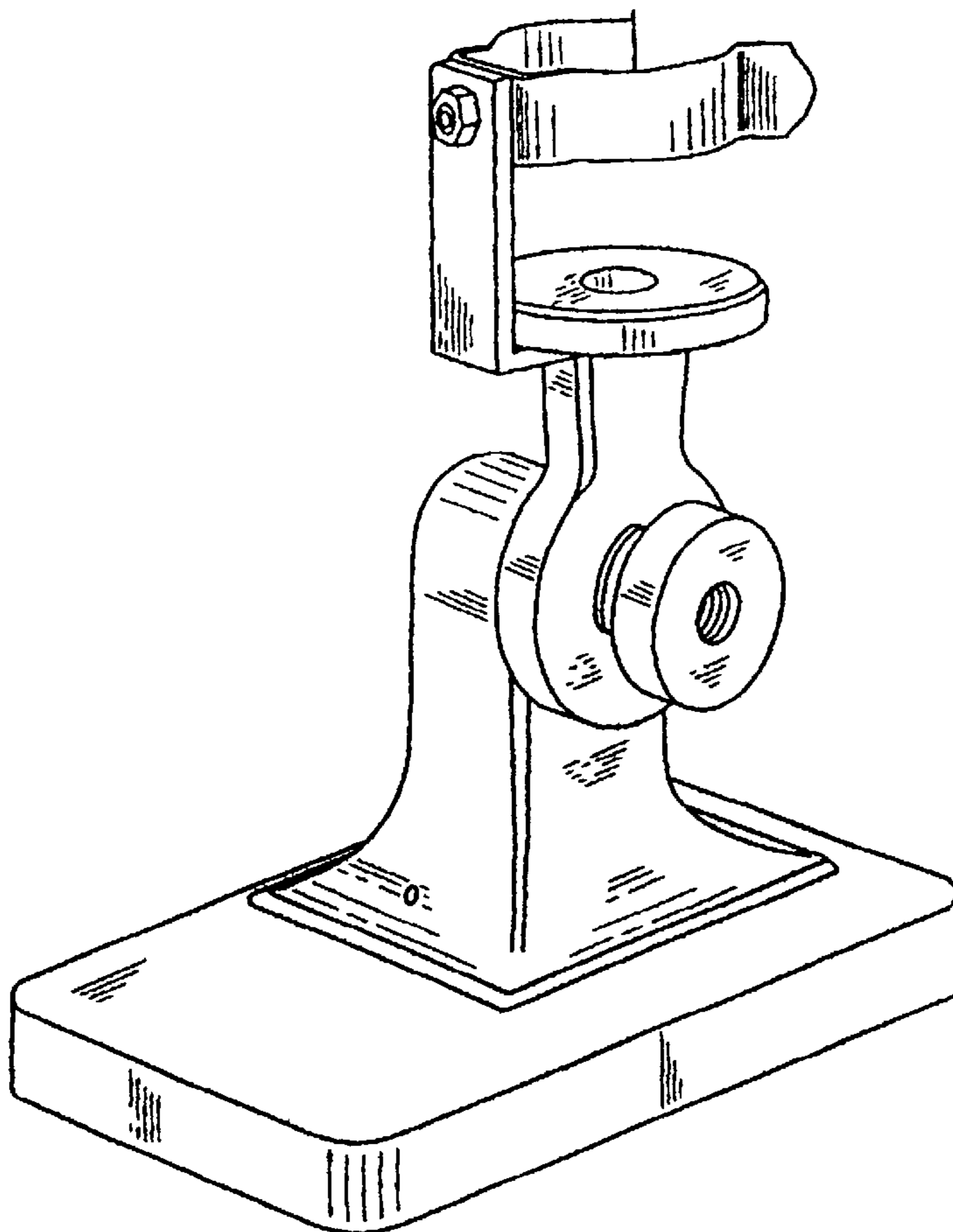
FIG. 7 is a right elevational view thereof.

(56) **References Cited**

**U.S. PATENT DOCUMENTS**

D. 235,478 \* 6/1975 Armbruster ..... D16/131

**1 Claim, 7 Drawing Sheets**



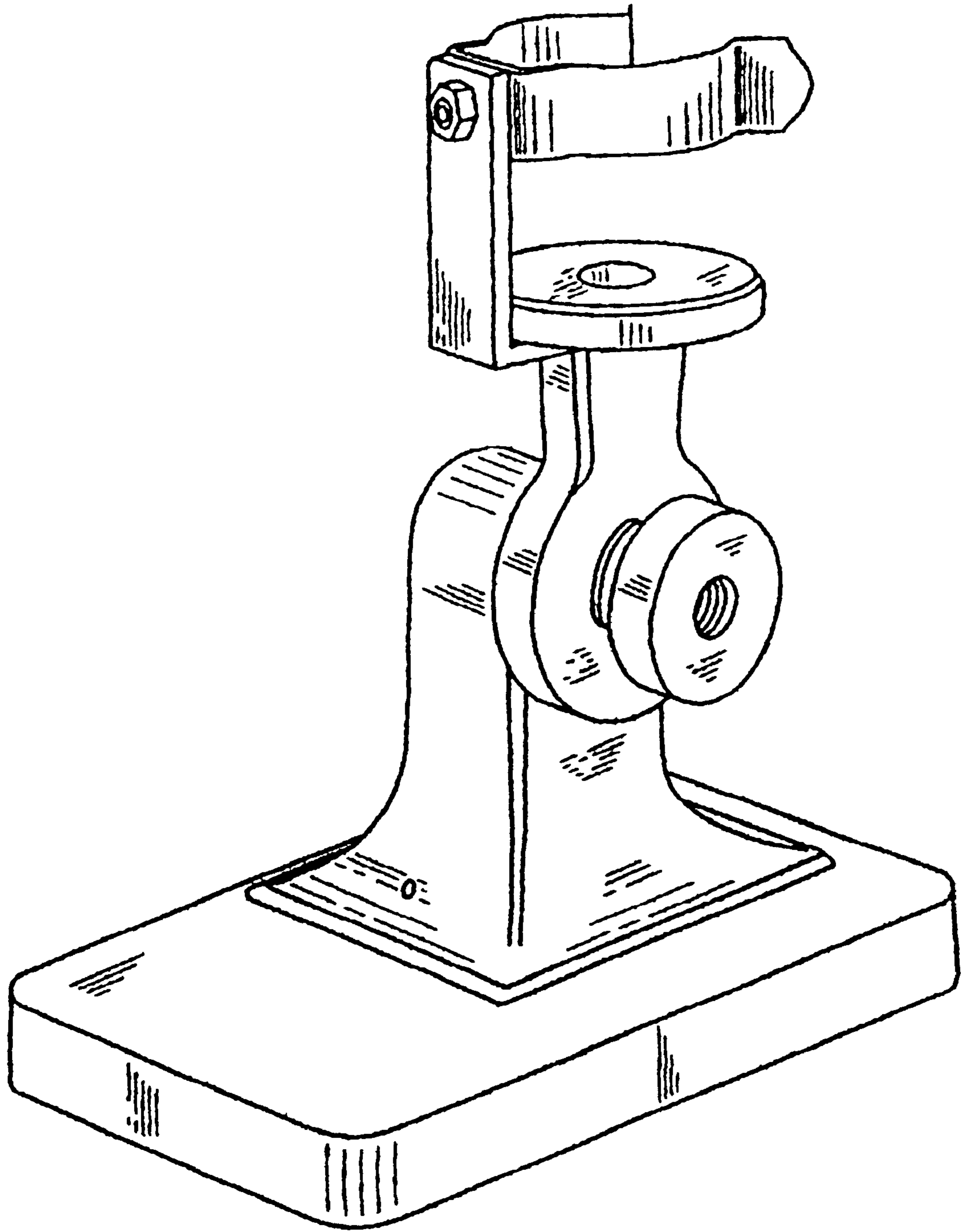


Fig. 1

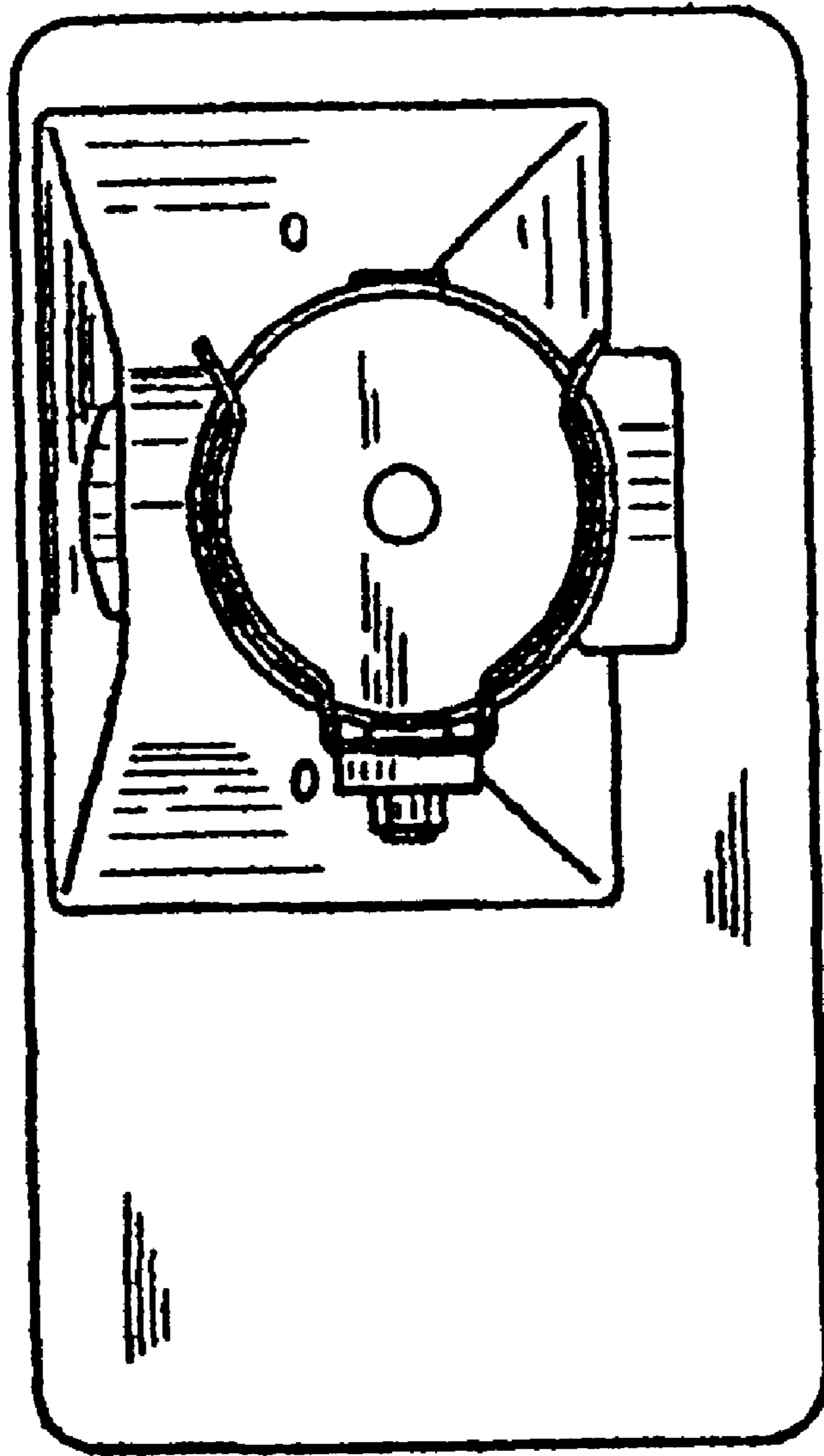


Fig. 2

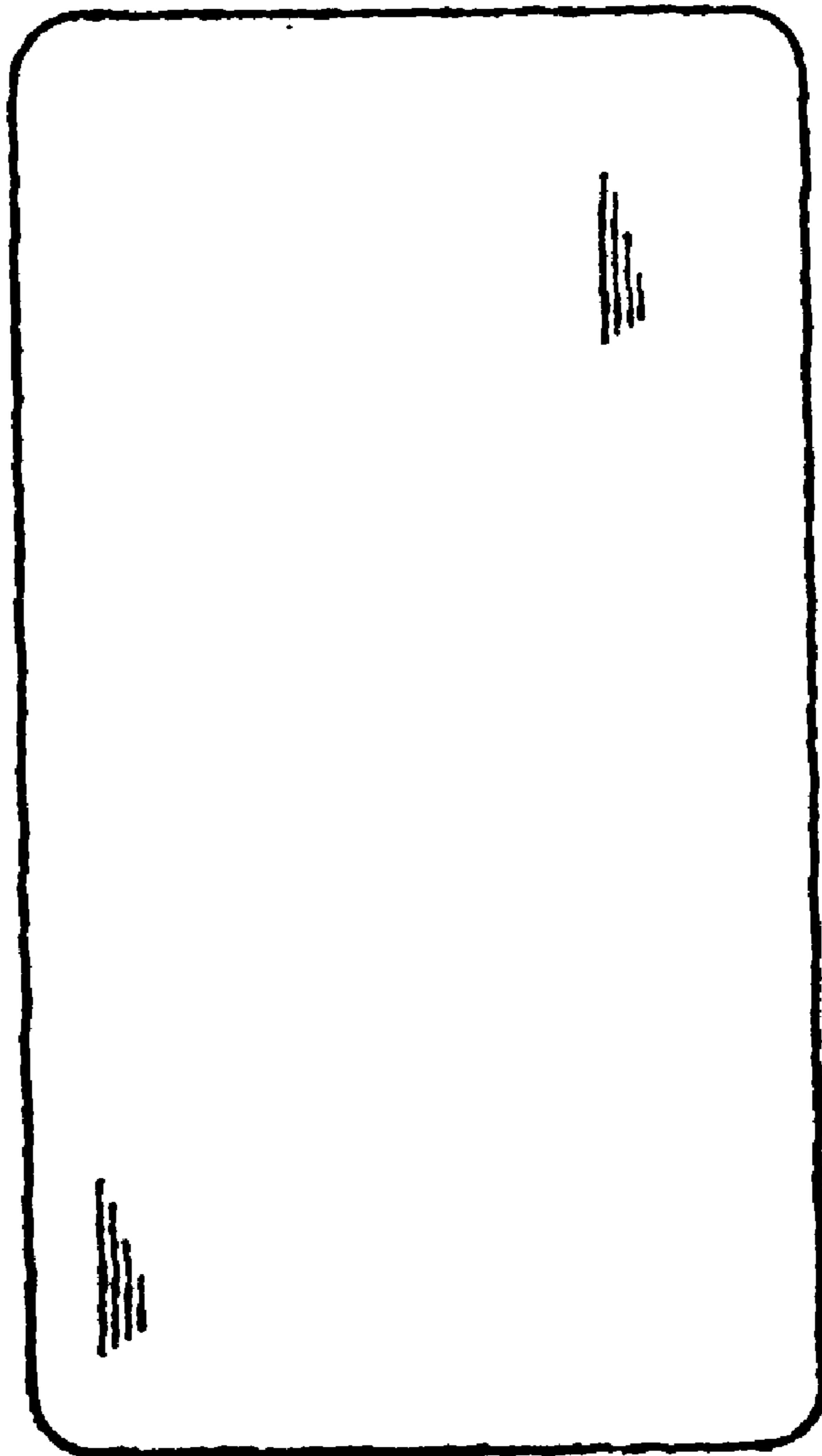


Fig. 3

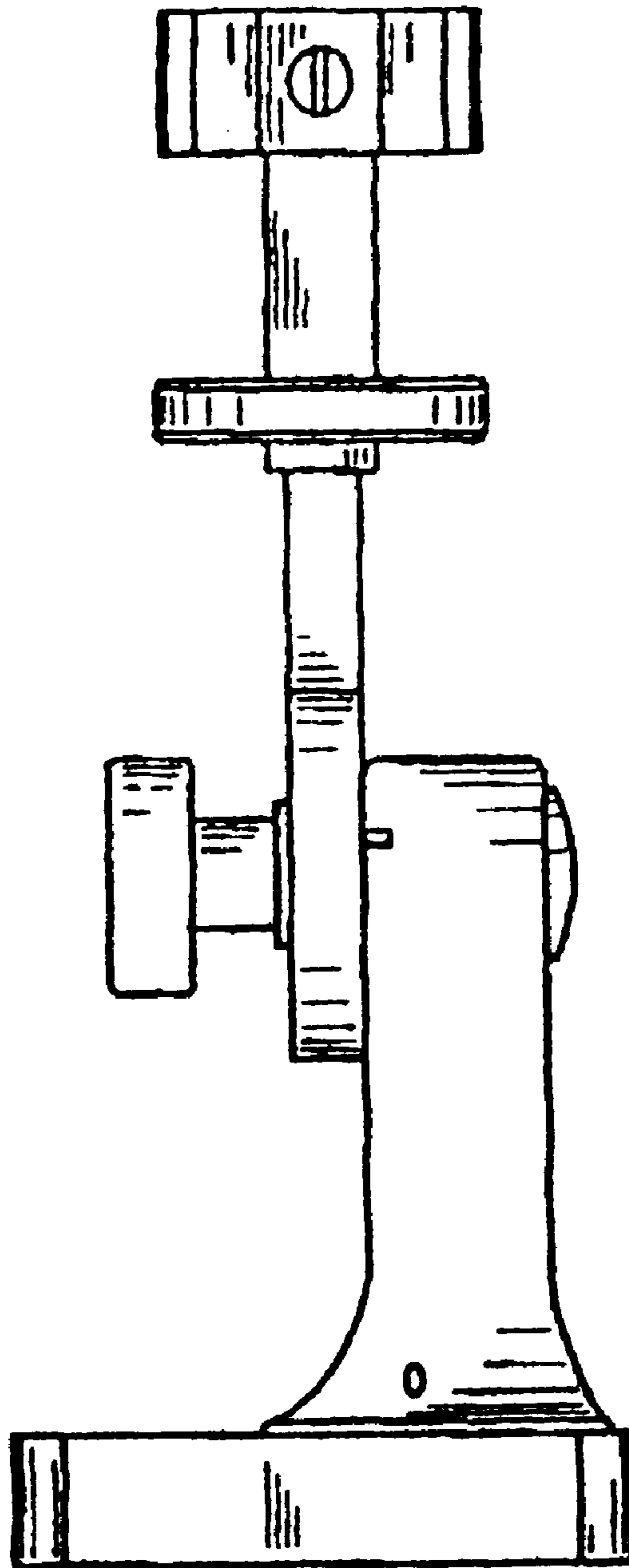


Fig.4

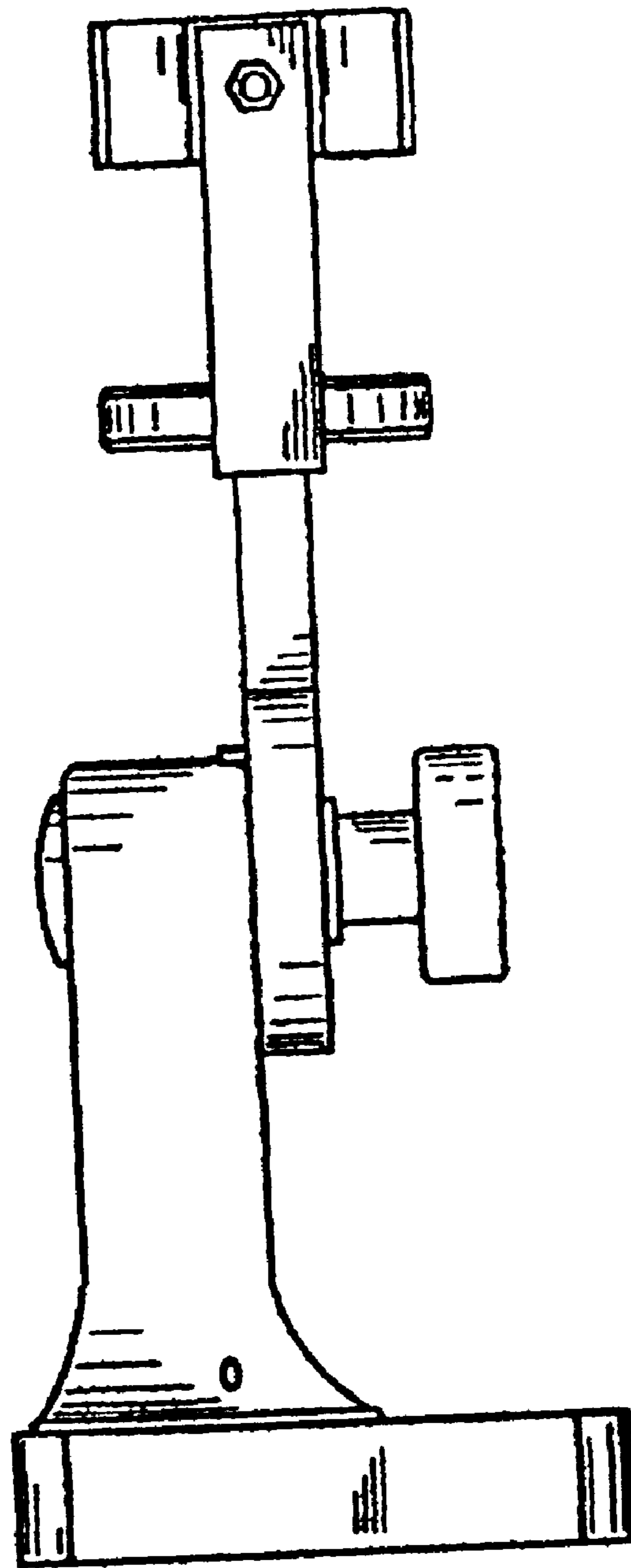


Fig. 5

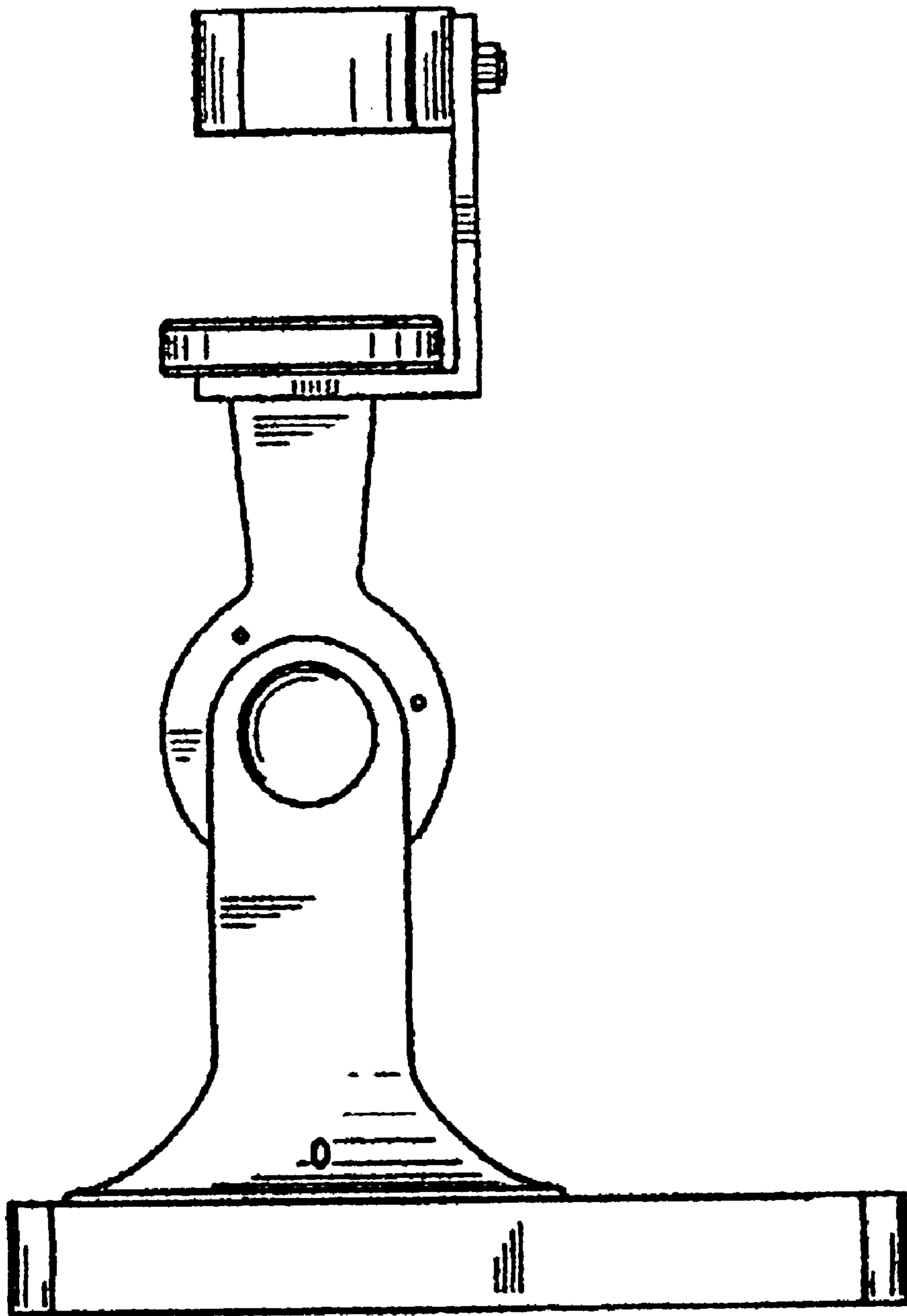


Fig. 6

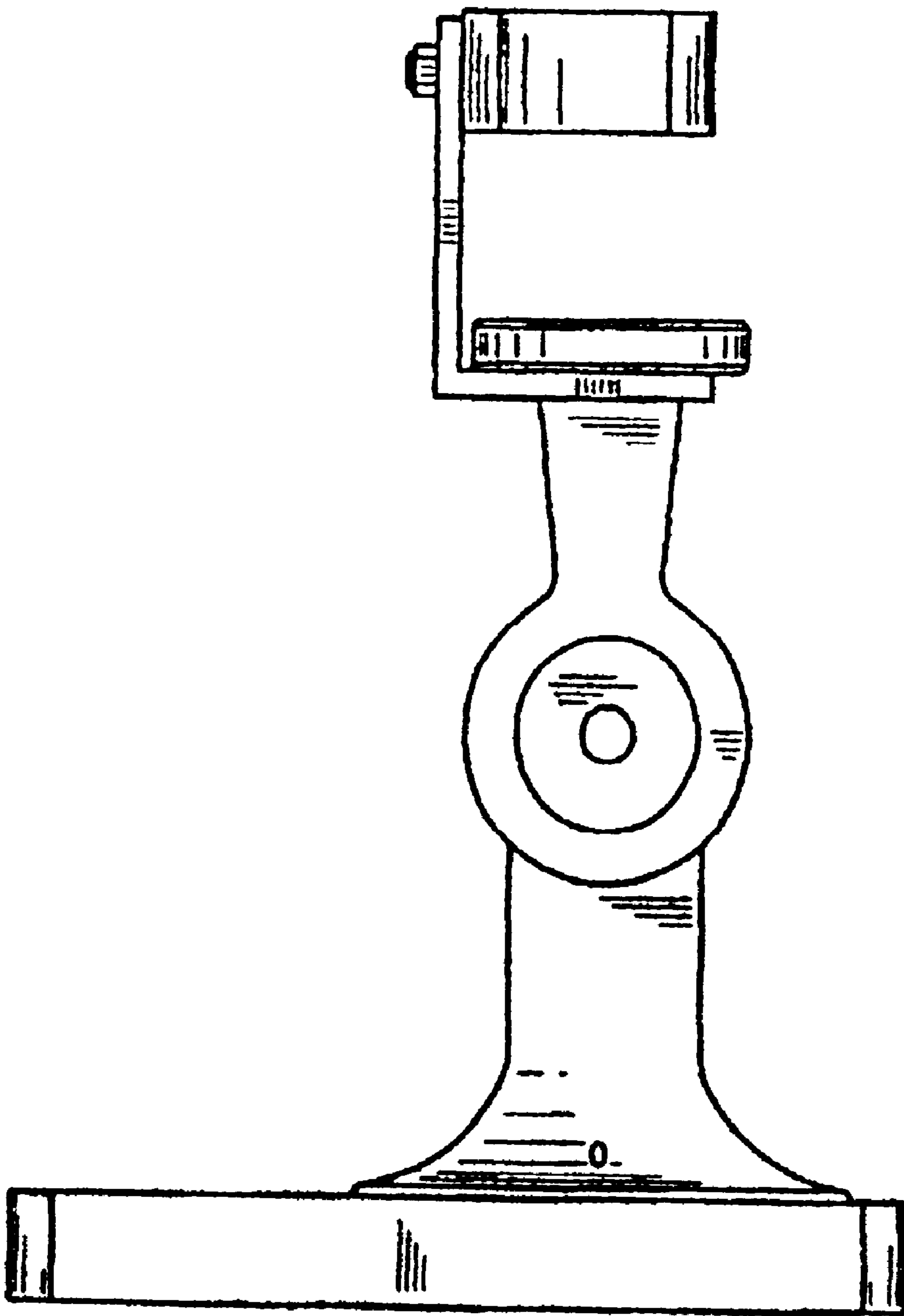


Fig. 7