



US00D441137S

(12) **United States Design Patent**
McCurrach

(10) **Patent No.:** **US D441,137 S**

(45) **Date of Patent:** **** Apr. 24, 2001**

(54) **HOT CURLING BRUSH**

(75) Inventor: **Jamie Craig McCurrach**, Groningen (NL)

(73) Assignee: **U.S. Philips Corporation**, New York, NY (US)

(**) Term: **14 Years**

(21) Appl. No.: **29/117,871**

(22) Filed: **Feb. 1, 2000**

(30) **Foreign Application Priority Data**

Aug. 19, 1999 (XH) DMA/004 624

(51) **LOC (7) Cl.** **28-03**

(52) **U.S. Cl.** **D28/35; D28/13**

(58) **Field of Search** D28/13, 15, 18, D28/35; D4/100, 116, 128, 136; 132/212, 223, 226-229, 232, 268, 269, 271, 272; 219/222, 225

(56) **References Cited**

U.S. PATENT DOCUMENTS

D. 240,089 * 5/1976 Rawson D28/12

D. 267,670 *	1/1983	Radatz	D28/35
D. 285,366 *	8/1986	Rubin	D28/35
D. 313,871 *	1/1991	Oberheim	D28/35
D. 389,953 *	1/1998	Seifert	D28/35
4,024,375 *	5/1977	Olesen et al.	219/225
4,257,434 *	3/1981	Wahl	132/118
4,581,519 *	4/1986	Thaler et al.	219/225

* cited by examiner

Primary Examiner—Mitchell Siegel

Assistant Examiner—C Tuttle

(74) *Attorney, Agent, or Firm*—Ernestine C. Bartlett

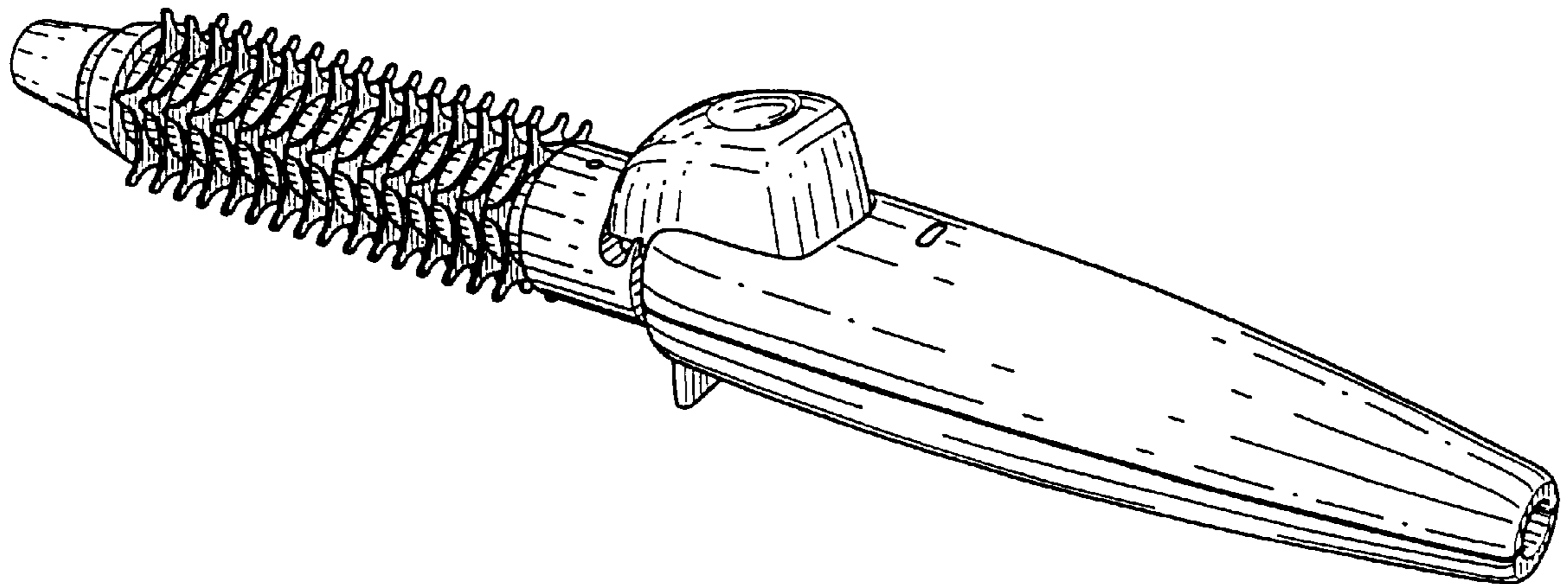
(57) **CLAIM**

The ornamental design for a hot curling brush, as shown.

DESCRIPTION

FIG. 1 is a perspective view showing my design;
FIG. 2 is a front elevational view thereof;
FIG. 3 is a rear elevational view thereof;
FIG. 4 is a right side elevational view thereof;
FIG. 5 is a left side elevational view thereof;
FIG. 6 is a top plan view thereof; and,
FIG. 7 is a bottom plan view thereof.

1 Claim, 3 Drawing Sheets



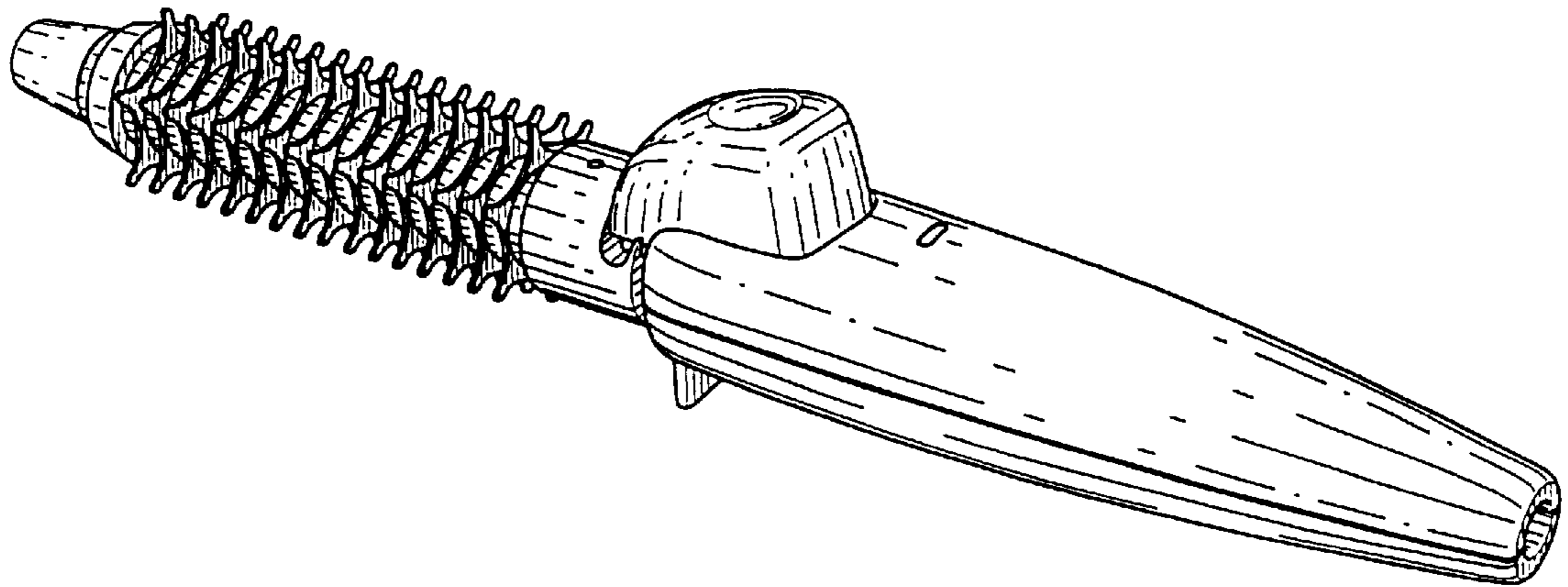


FIG. 1

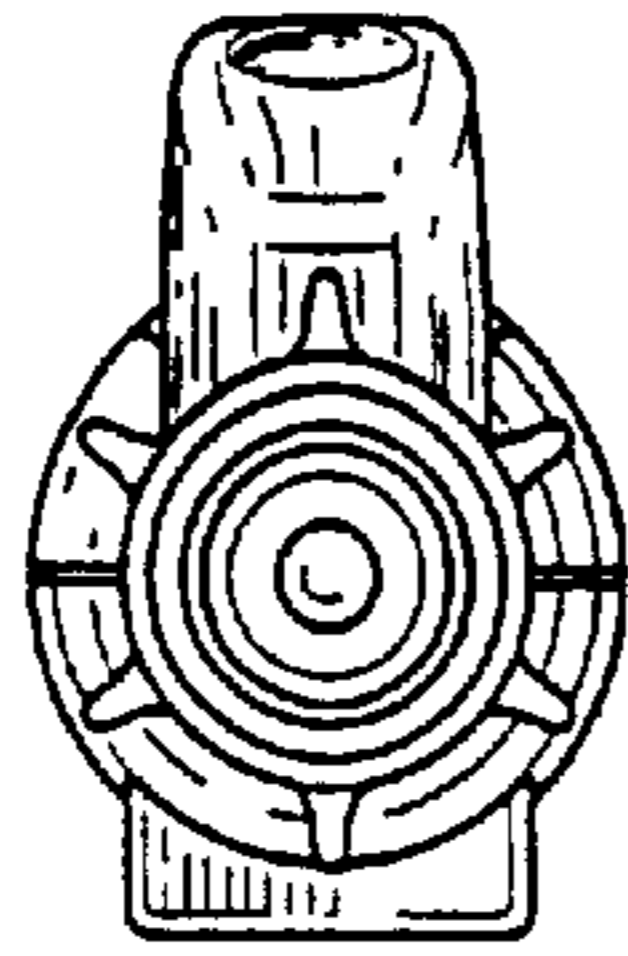


FIG. 2

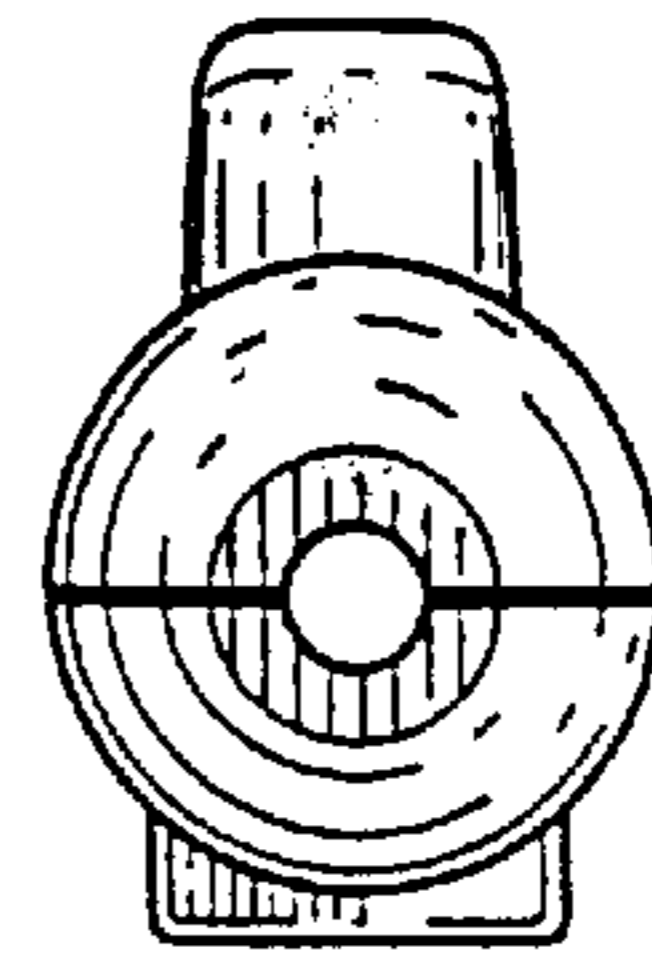


FIG. 3

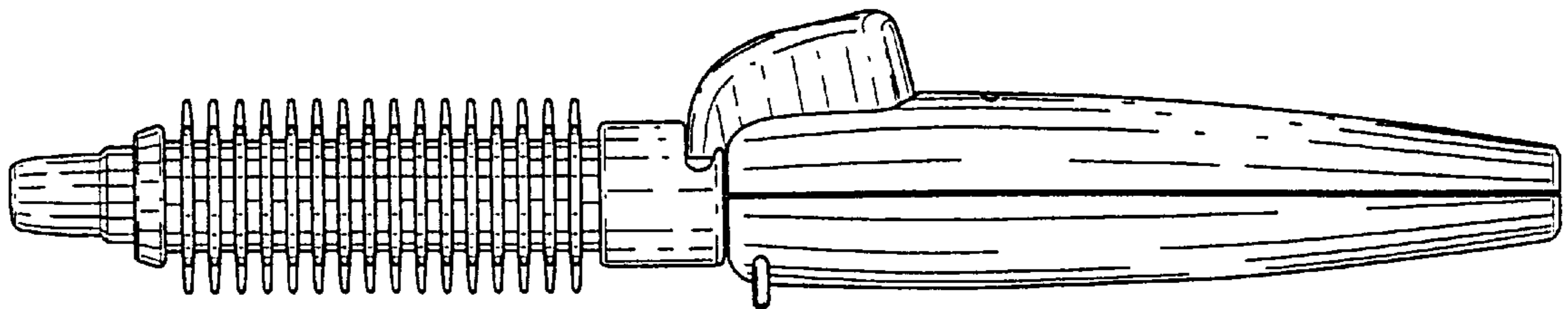


FIG. 4

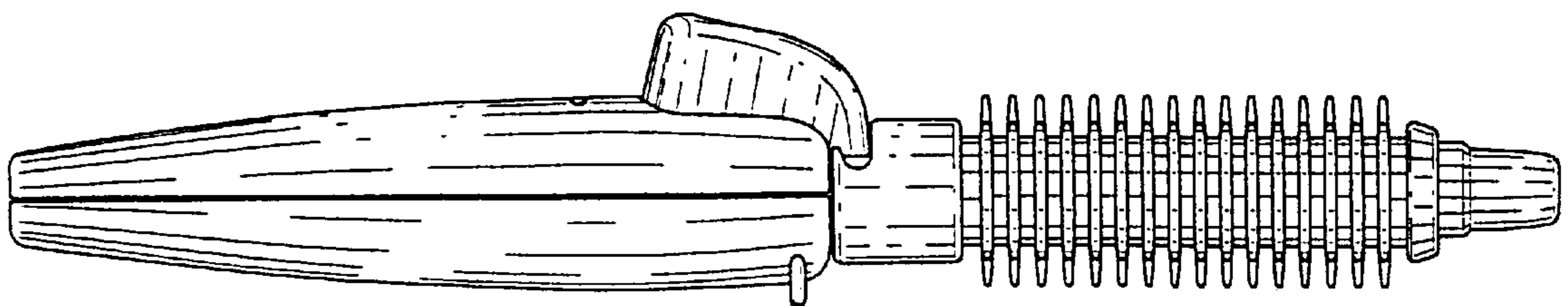


FIG. 5

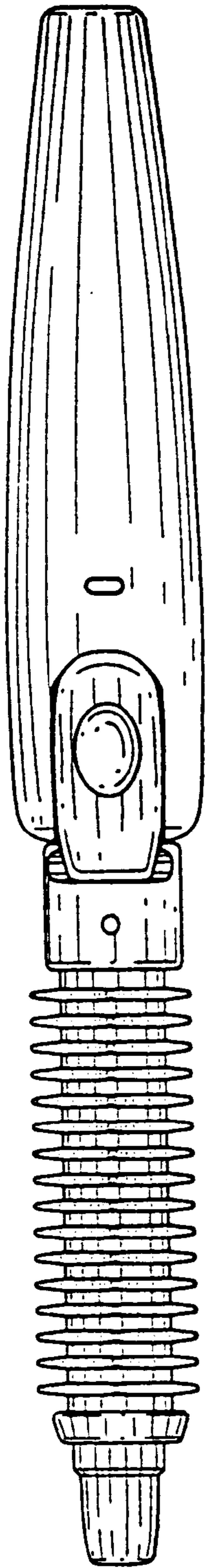


FIG. 6

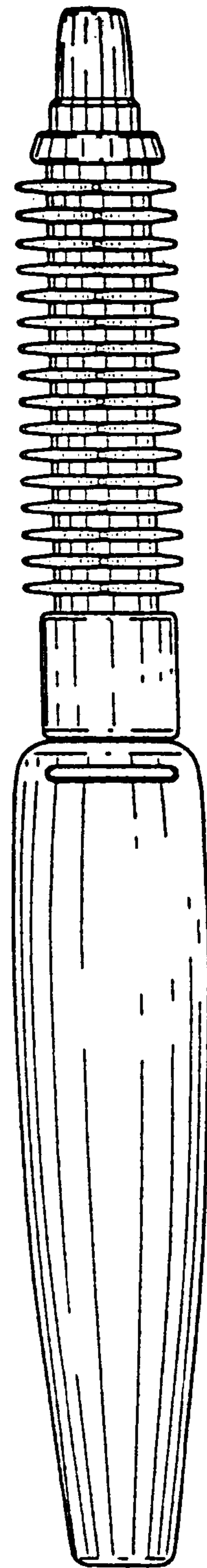


FIG. 7