



US00D441136S

(12) **United States Design Patent**
Leman

(10) **Patent No.:** **US D441,136 S**

(45) **Date of Patent:** **** Apr. 24, 2001**

(54) **LICE COMB**

2,484,133 * 10/1949 Duyke D28/21 X
3,481,345 * 12/1969 Cournoyer 132/149

(75) Inventor: **Glenn A. Leman**, North Attleboro, MA
(US)

FOREIGN PATENT DOCUMENTS

604953 7/1948 (GB) .

(73) Assignee: **Health Enterprises, Inc.**, North
Attleboro, MA (US)

* cited by examiner

(**) Term: **14 Years**

Primary Examiner—Paula A. Mortimer

(74) *Attorney, Agent, or Firm*—Salter & Michaelson

(21) Appl. No.: **29/124,034**

(57) **CLAIM**

(22) Filed: **May 26, 2000**

The ornamental design for a lice comb, as shown and described.

(51) **LOC (7) Cl.** **28-03**

(52) **U.S. Cl.** **D28/31**

(58) **Field of Search** D28/31, 21; 132/105,
132/114, 125, 126, 120, 129, 137, 149,
150, 159, 219; D30/159; 119/632

DESCRIPTION

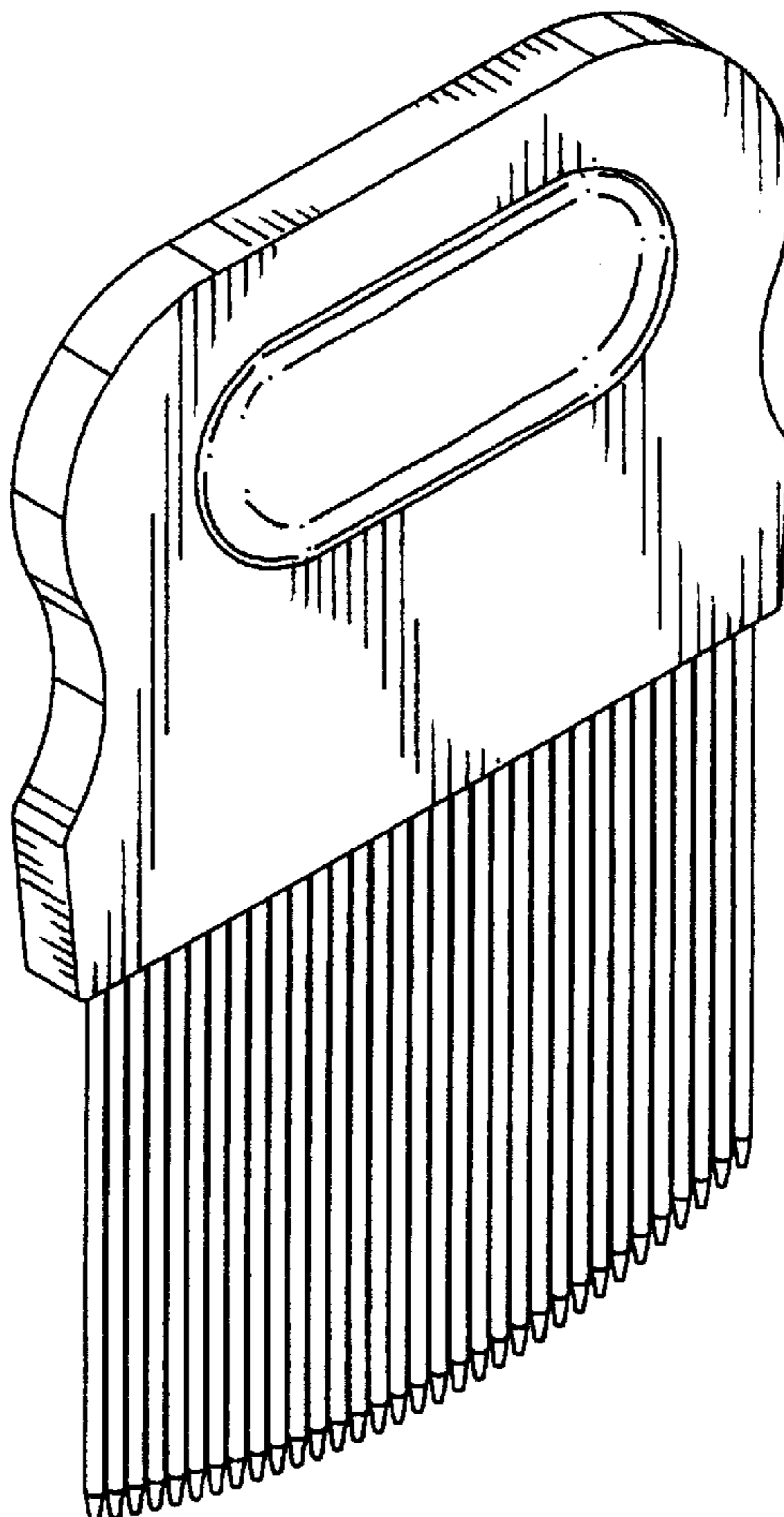
(56) **References Cited**

U.S. PATENT DOCUMENTS

- D. 332,505 * 1/1993 Ward D28/31
- D. 353,915 12/1994 Lanne .
- 1,594,741 * 8/1926 Lewis 132/105
- 1,642,916 * 9/1927 Anderson 132/125
- 2,430,303 * 11/1947 Ruhl 132/114 X

FIG. 1 is a perspective view of a lice comb showing my new design;
 FIG. 2 is a front elevational view thereof, the rear elevational view being a mirror image thereof;
 FIG. 3 is an edge view thereof, the opposite edge view being a mirror image thereof;
 FIG. 4 is a top plan view thereof; and,
 FIG. 5 is a bottom plan view thereof.

1 Claim, 2 Drawing Sheets



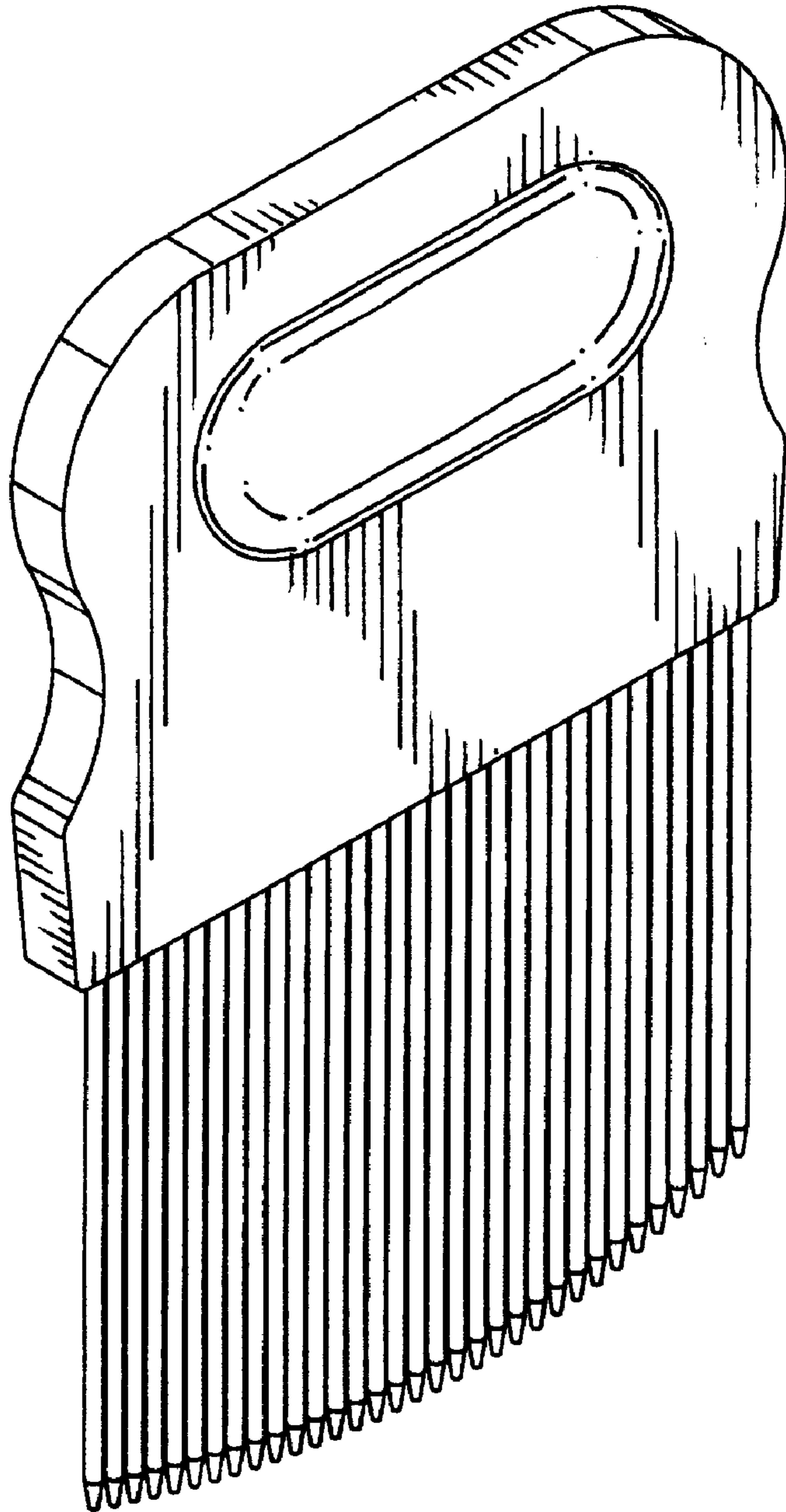


FIG. 1

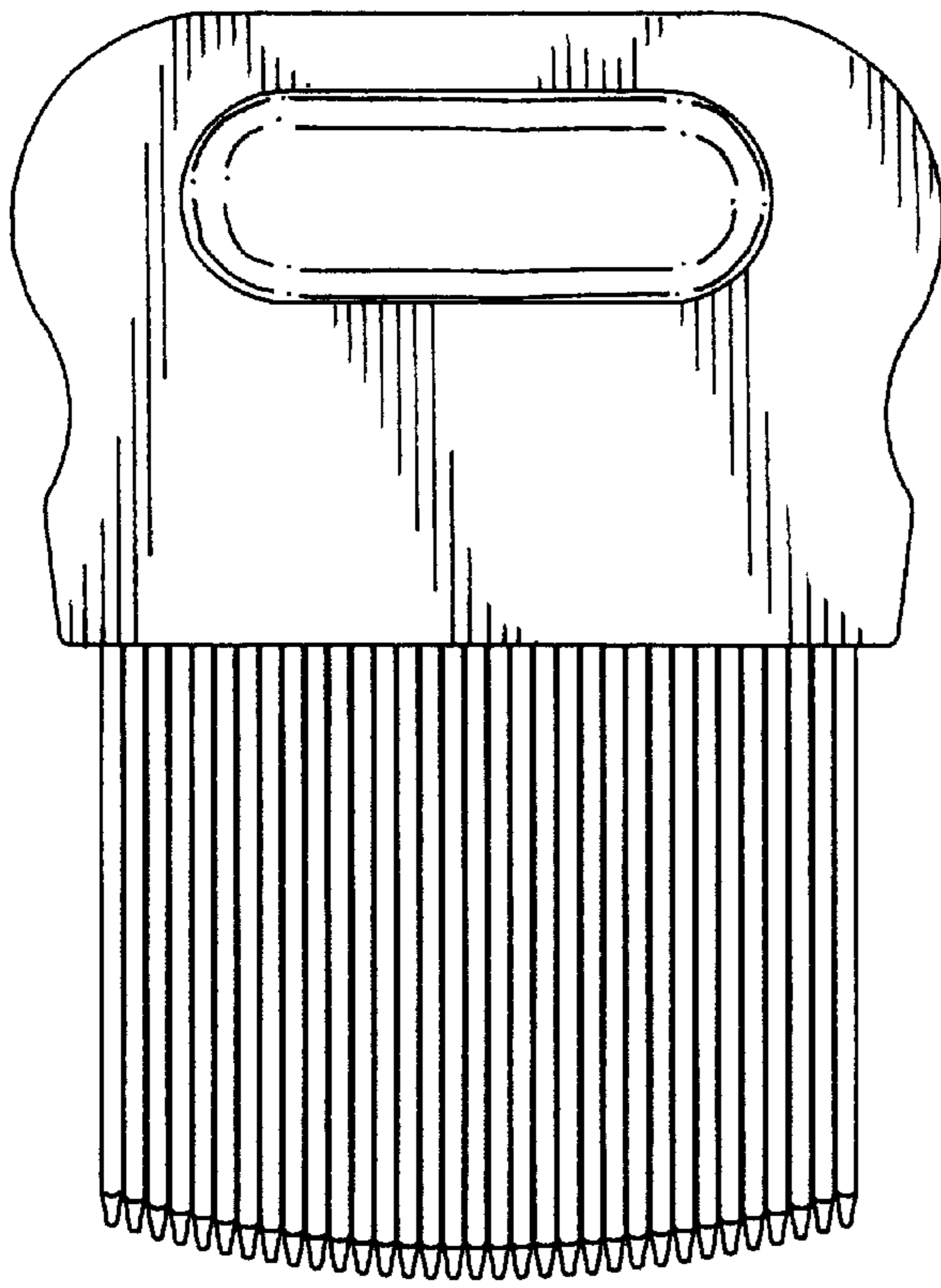


FIG. 2



FIG. 3



FIG. 4

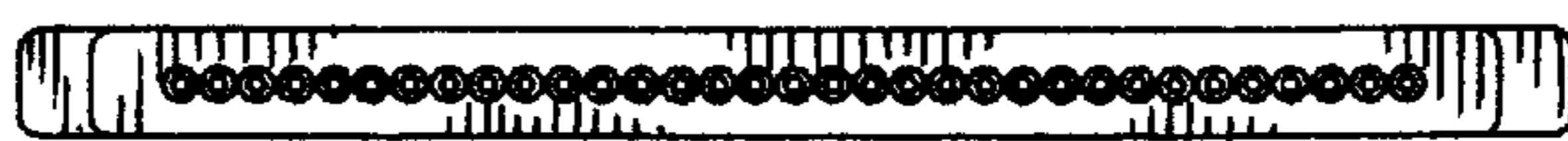


FIG. 5