



US00D441135S

(12) **United States Design Patent**
Hibino

(10) **Patent No.:** **US D441,135 S**

(45) **Date of Patent:** **** Apr. 24, 2001**

(54) **COMB-SHAPED NOZZLE MEMBER FOR WASHING SCALP**

(75) Inventor: **Satoru Hibino**, Nishikamo-gun (JP)

(73) Assignee: **Richo Elemex Co., Ltd.**, Aichi (JP)

(**) Term: **14 Years**

(21) Appl. No.: **29/101,978**

(22) Filed: **Mar. 11, 1999**

(30) **Foreign Application Priority Data**

Sep. 11, 1998 (JP) 10-26138

(51) **LOC (7) Cl.** **28-03**

(52) **U.S. Cl.** **D28/20; D28/25; D28/28**

(58) **Field of Search** D28/10, 20, 25, D28/28, 18, 9; D23/213, 223, 228, 262; 132/212, 112-118, 120, 126, 142, 148, 272, 333; 601/154, 155, 159, 169; 4/515-518, 567-570, 605, 606, 615-617, 628; 34/96-98; 392/380, 383, 384; 219/222, 225

(56) **References Cited**

U.S. PATENT DOCUMENTS

- D. 183,674 * 10/1958 Bau D28/25
- D. 265,599 * 7/1982 Fitzpatrick D28/25
- D. 359,547 * 6/1995 Wang D23/233
- D. 370,302 * 5/1996 Healy D28/7
- D. 399,602 * 10/1998 Ratnam D28/25
- 591,570 * 10/1897 Poor 401/287
- 1,903,646 * 4/1933 Jameson 219/222

- 2,437,298 * 3/1948 Heyman 132/110
- 2,797,695 * 7/1957 Fortmann 132/110
- 4,376,441 * 3/1983 Duncan 132/272
- 4,863,302 * 9/1989 Herzfeld et al. 401/289
- 5,093,943 * 3/1992 Wei 4/615
- 5,738,121 * 4/1998 Westerveld et al. 132/113

FOREIGN PATENT DOCUMENTS

- 169215 * 10/1951 (AT) 132/120
- 968151 * 5/1975 (CA) 34/97
- 291682 * 10/1953 (CH) 132/112
- 2425715 * 12/1974 (DE) 392/384
- 2424000 * 12/1979 (FR) 392/380

* cited by examiner

Primary Examiner—Mitchell Siegel

Assistant Examiner—C. Tuttle

(74) *Attorney, Agent, or Firm*—Snider & Associates; Ronald R. Snider

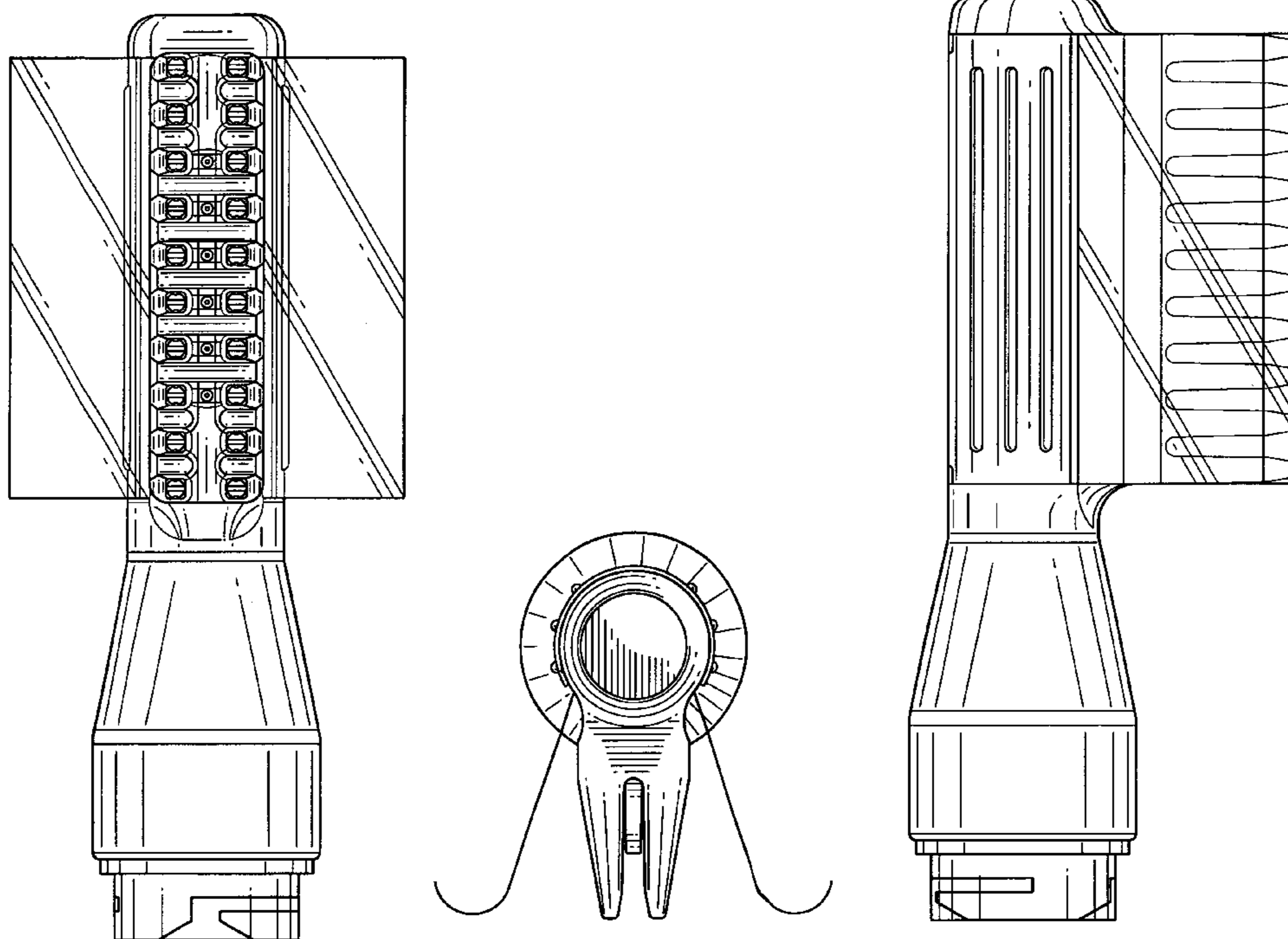
(57) **CLAIM**

The ornamental design for a comb-shaped nozzle member for washing scalp, as shown and described.

DESCRIPTION

FIG. 1 is a front view showing a comb-shaped nozzle member for washing a scalp;
FIG. 2 is a back view of FIG. 1;
FIG. 3 is a top view of FIG. 1;
FIG. 4 is a bottom view of FIG. 1;
FIG. 5 is a left side view of FIG. 1; and,
FIG. 6 is a right side view of FIG. 1.

1 Claim, 2 Drawing Sheets



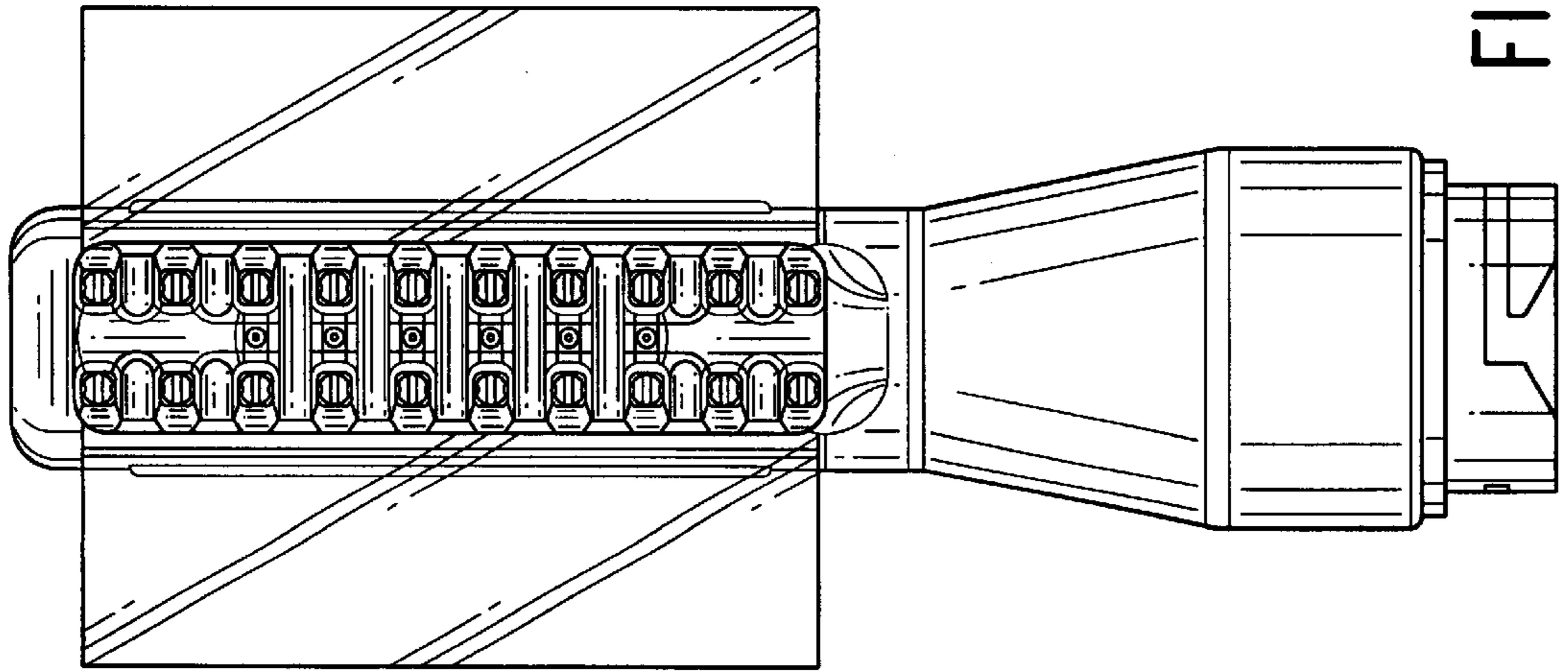


FIG. 1

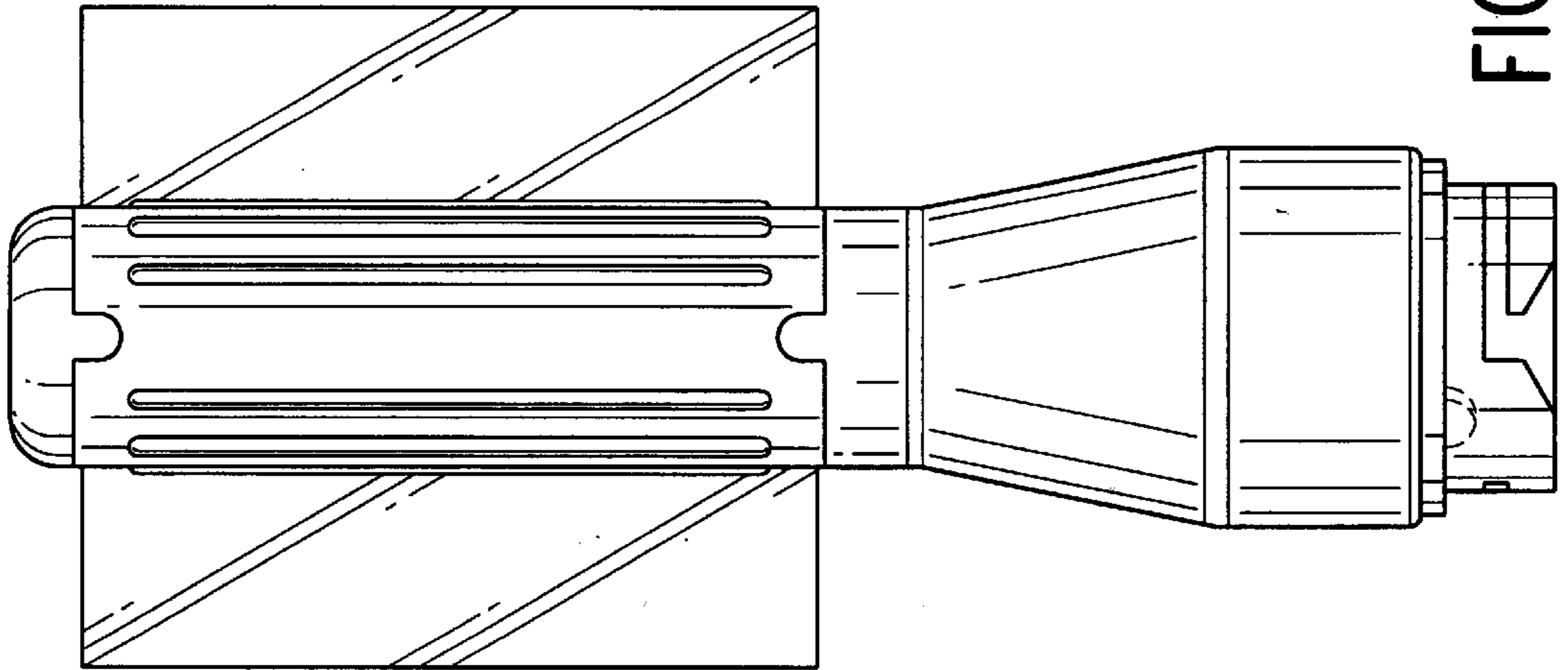


FIG. 2

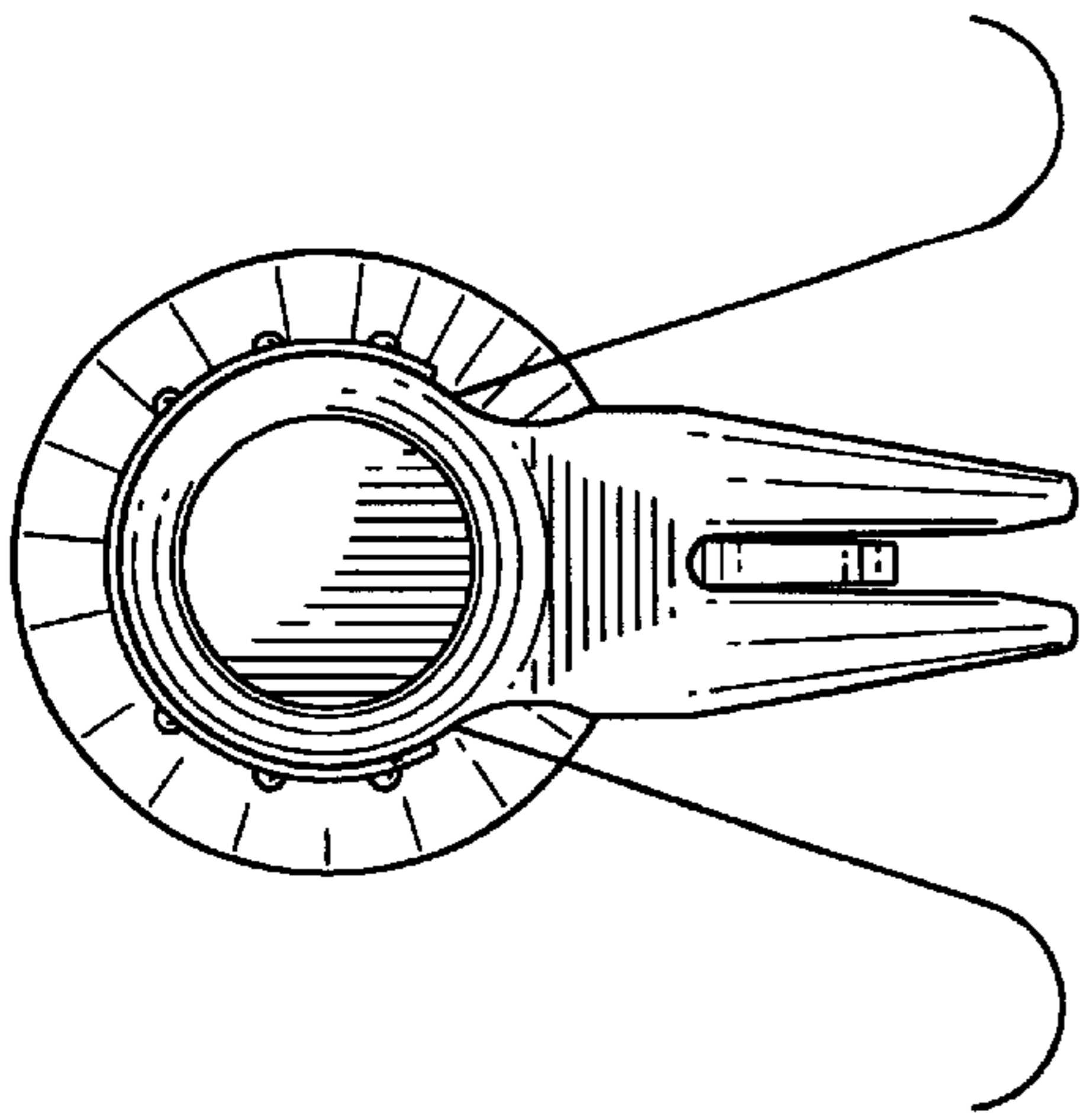


FIG. 3

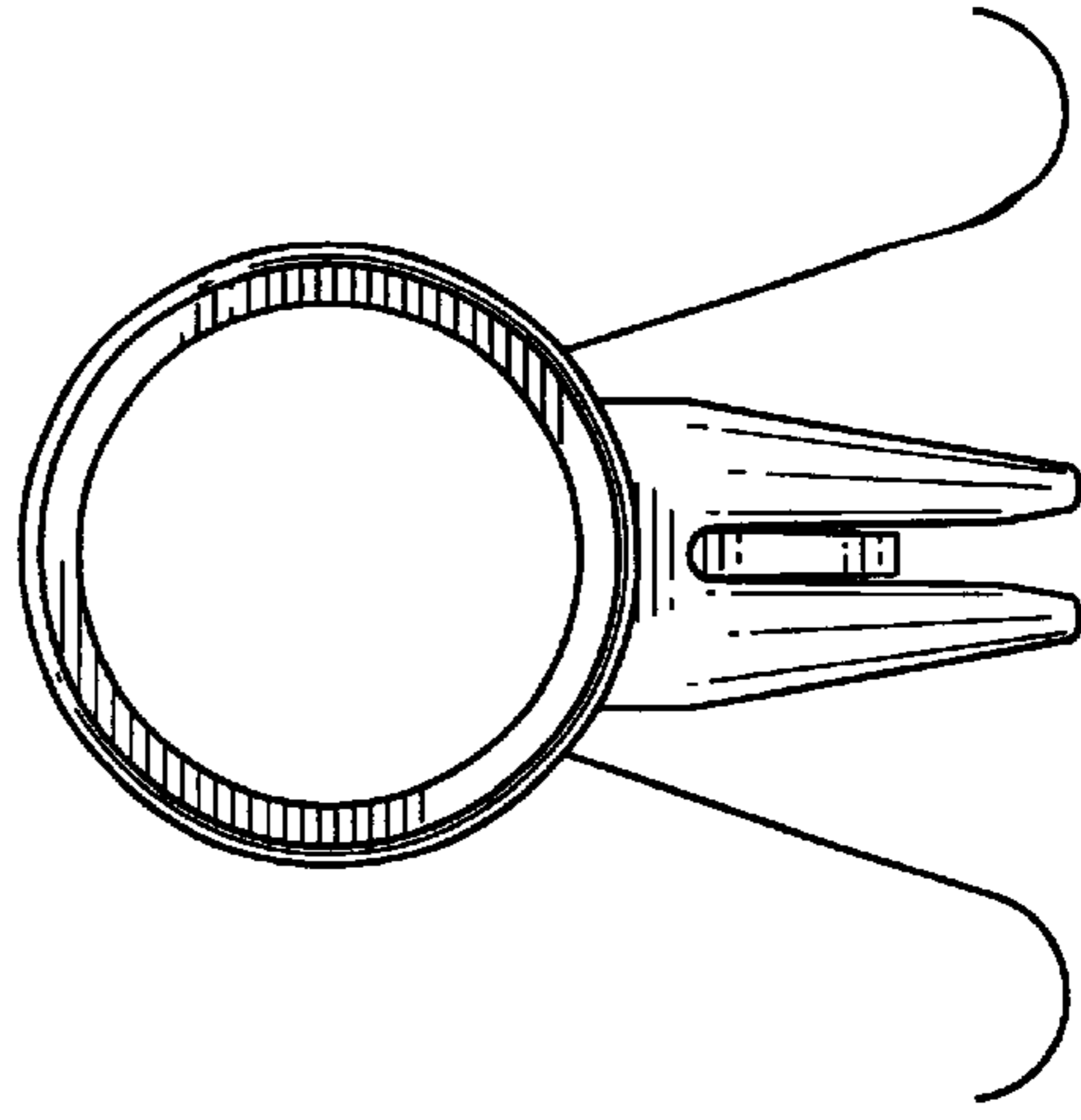


FIG. 4

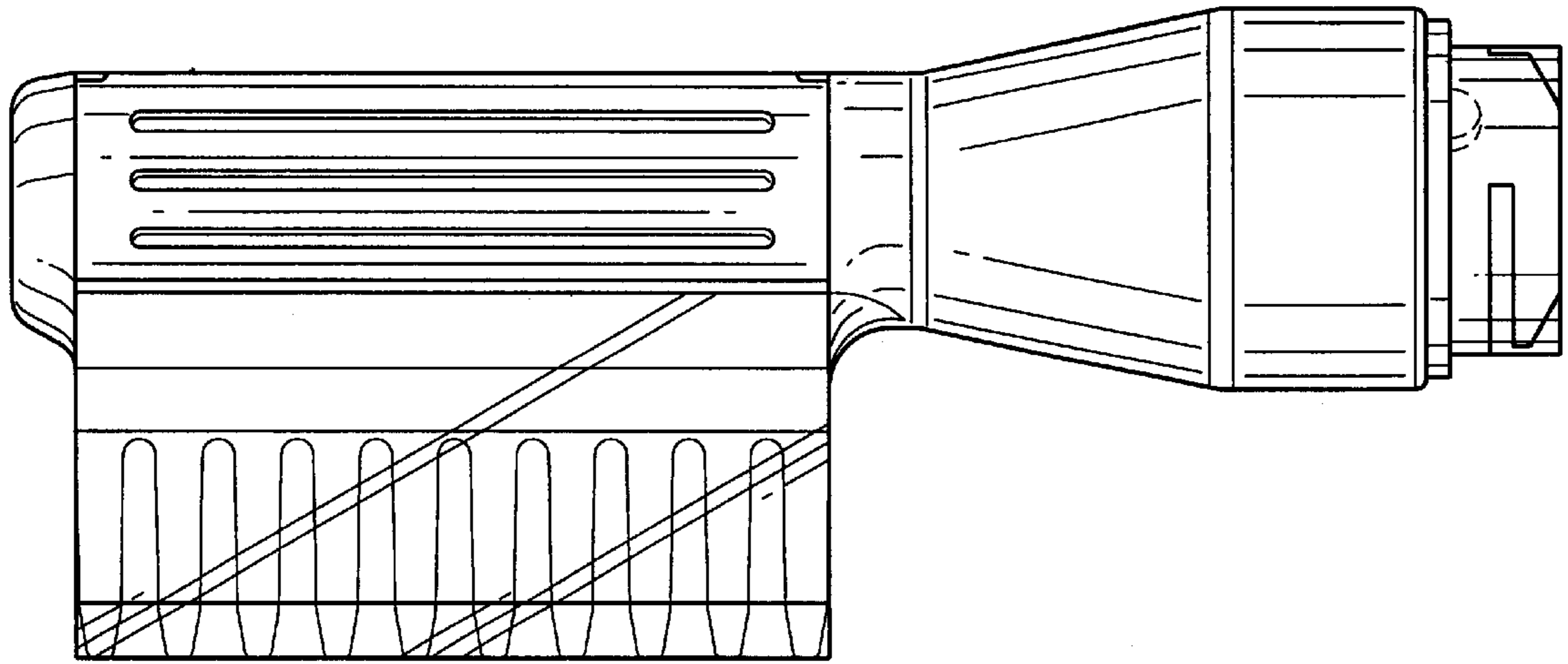


FIG. 6

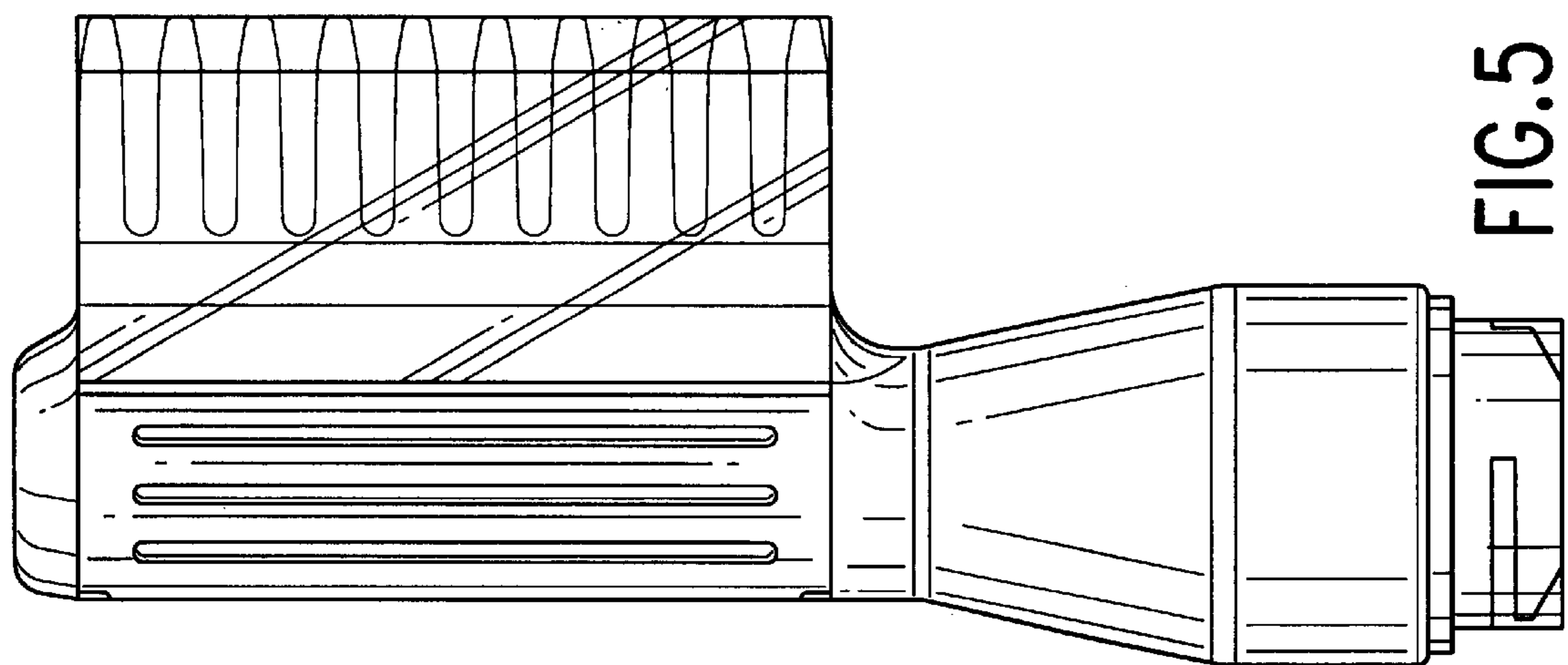


FIG. 5