



US00D441130S

(12) **United States Design Patent**  
**Compton et al.**

(10) **Patent No.:** **US D441,130 S**

(45) **Date of Patent:** **\*\* Apr. 24, 2001**

(54) **TRUSS LUMINAIRE**

(75) Inventors: **Wayne W. Compton; Kevin Willmorth**, both of Chino Hills, CA (US)

(73) Assignee: **Kim Lighting Inc.**, City of Industry, CA (US)

(\*\*) Term: **14 Years**

(21) Appl. No.: **29/124,210**

(22) Filed: **Jun. 1, 2000**

(51) **LOC (7) Cl.** ..... **26-99**

(52) **U.S. Cl.** ..... **D26/155**

(58) **Field of Search** ..... D26/51, 58, 60, D26/61, 63-65, 72, 80-92, 142-145, 155; 362/551, 559, 127, 133, 145-153.1, 217, 224, 225, 253; D6/399; D8/363; 248/219.1, 220.1; 403/42, 65, 231, 295; 52/28, 146-152, 173.1, 173.3, 690-697, 648.1

(56) **References Cited**

**U.S. PATENT DOCUMENTS**

D. 248,990 \* 8/1978 Iacobelli ..... D26/85

D. 313,669 \* 1/1991 Sonneman ..... D26/85 X  
3,998,025 \* 12/1976 Nestroy ..... 52/28 X  
4,912,889 \* 4/1990 Palumbo ..... 52/28 X  
5,551,199 \* 9/1996 Hayes et al. .... 52/648.1  
6,112,475 \* 9/2000 Truitt ..... 52/150 X

\* cited by examiner

*Primary Examiner*—Freda Nunn

*Assistant Examiner*—Linda Brooks

(74) *Attorney, Agent, or Firm*—Lyon & Lyon LLP

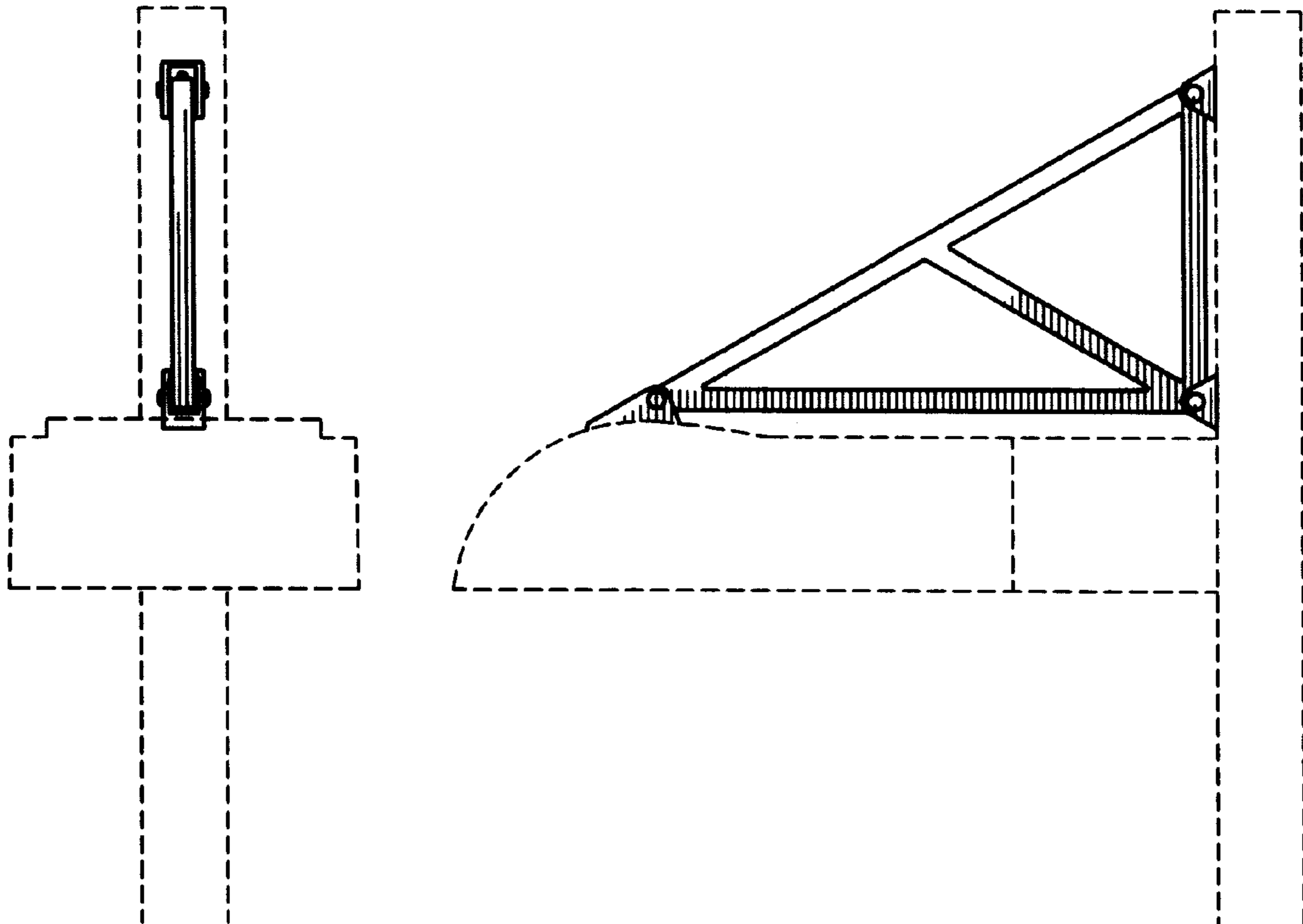
(57) **CLAIM**

The ornamental design for a truss luminaire, substantially as shown and described.

**DESCRIPTION**

FIG. 1 is a front elevational view of the design, FIG. 2 is a top view, thereof, FIG. 3 is a side elevational view thereof, the reverse side being a mirror image, FIG. 4 is a bottom view thereof; and, FIG. 5 is a rear elevational view thereof. The broken lines shown are for illustrative purposes only and form no part of the claimed design.

**1 Claim, 1 Drawing Sheet**



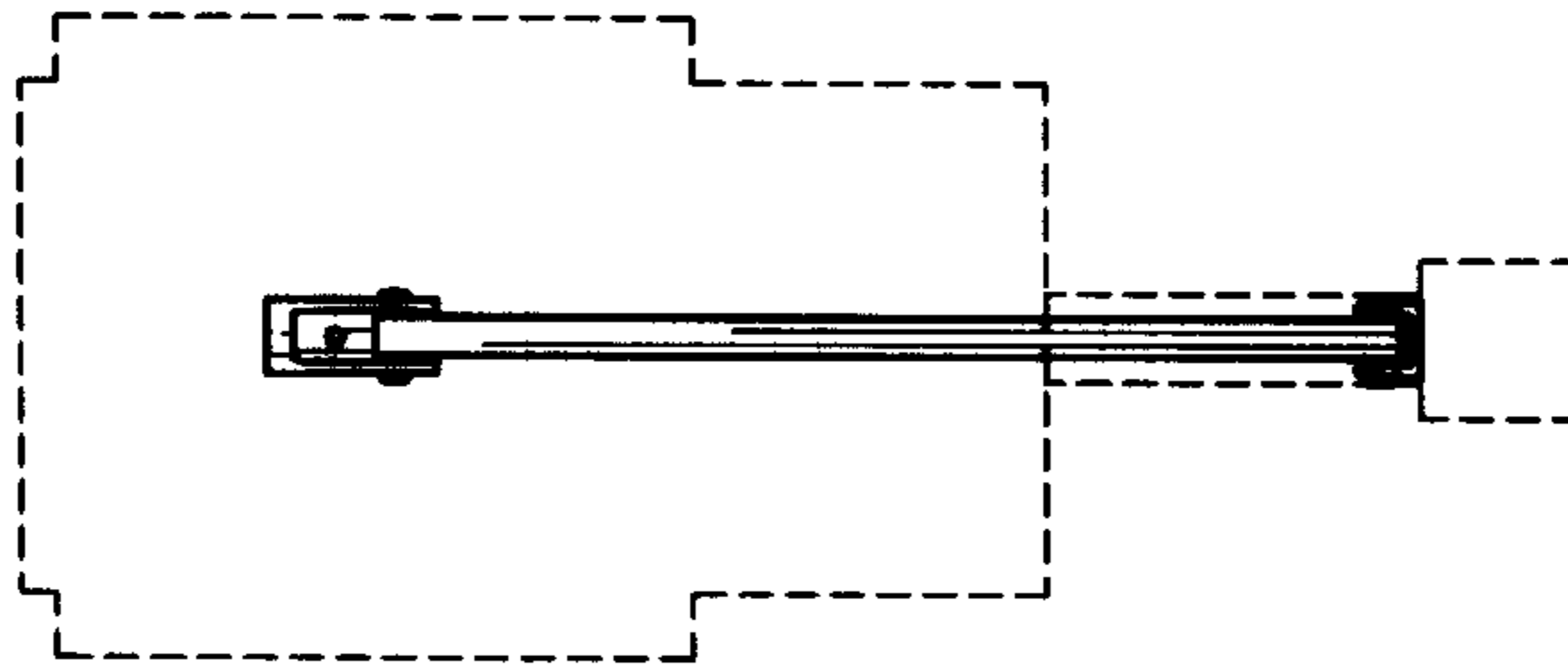


FIG. 2

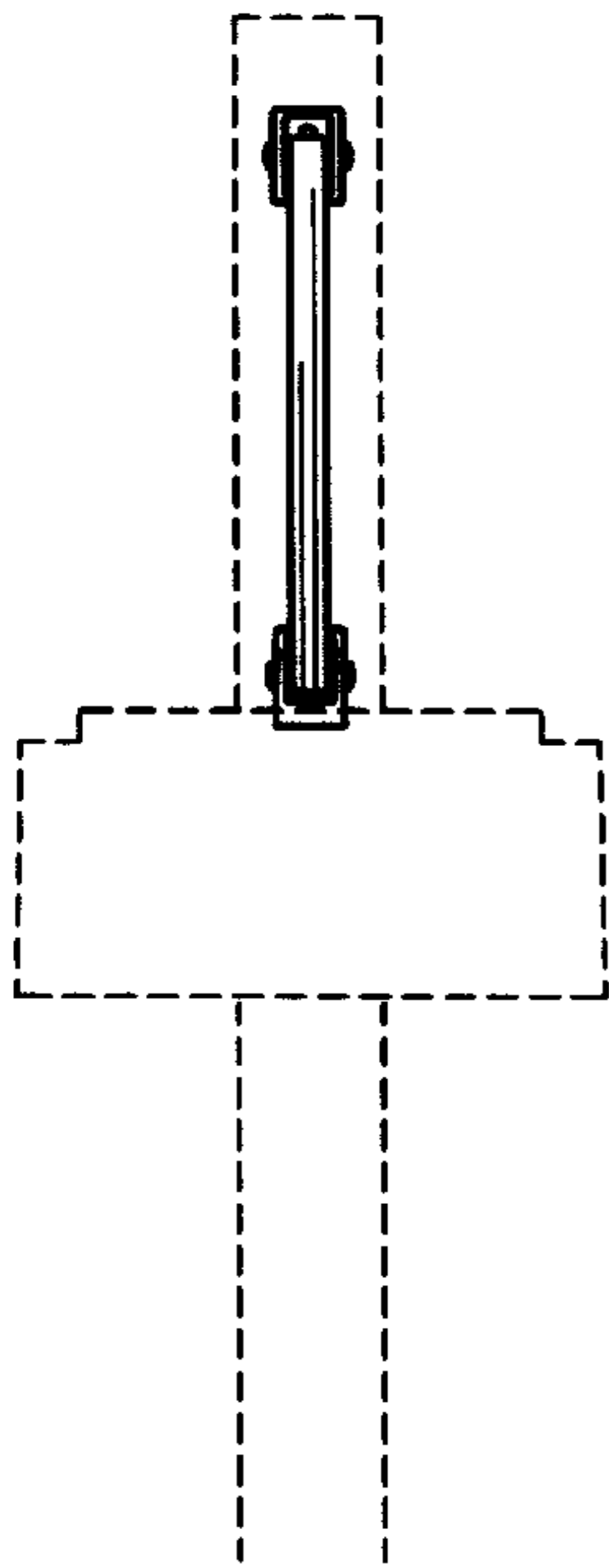


FIG. 1

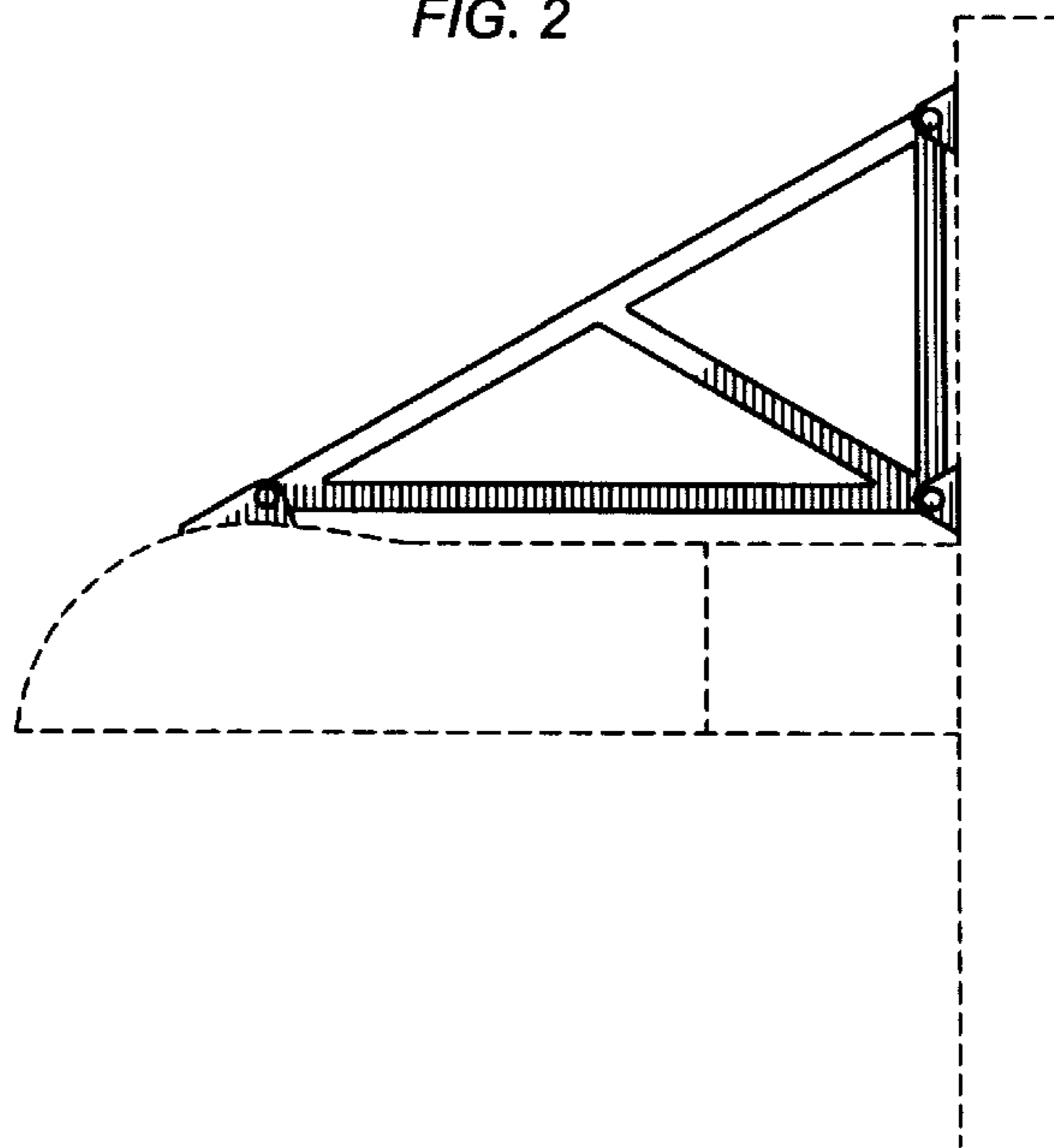


FIG. 3

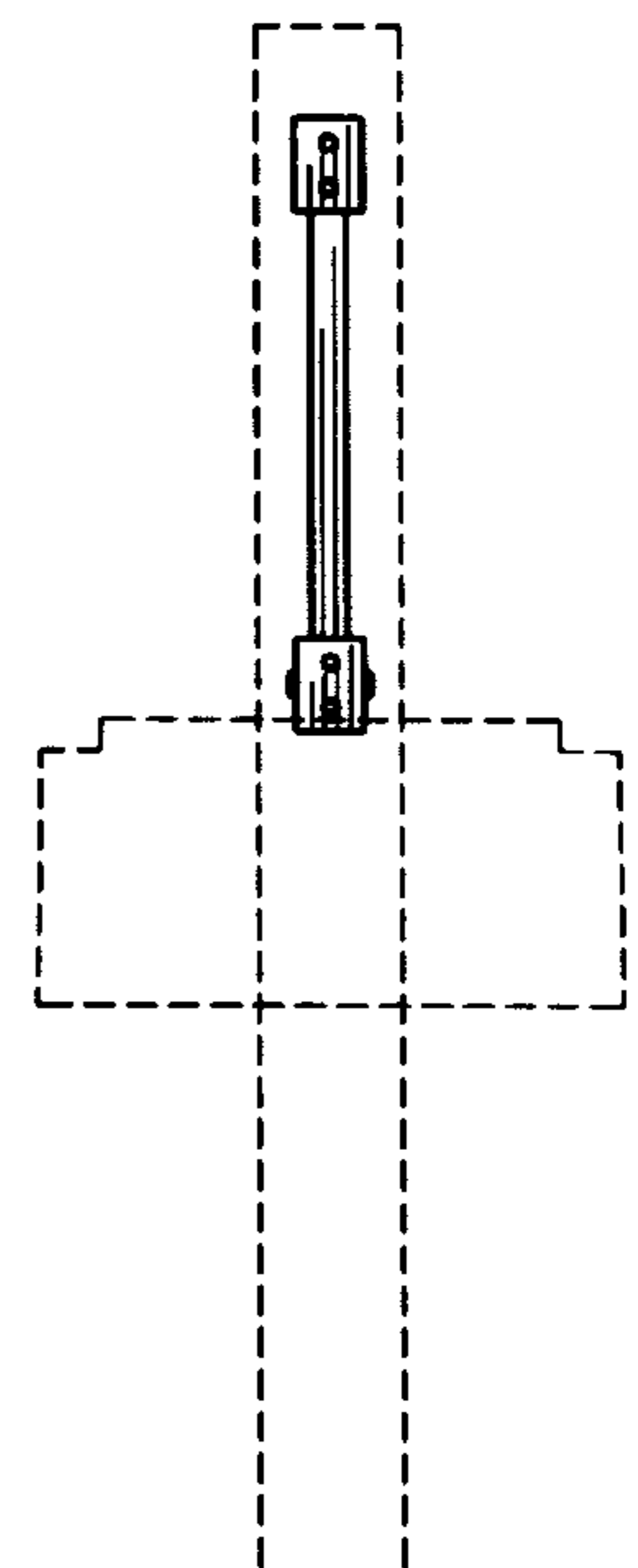


FIG. 5

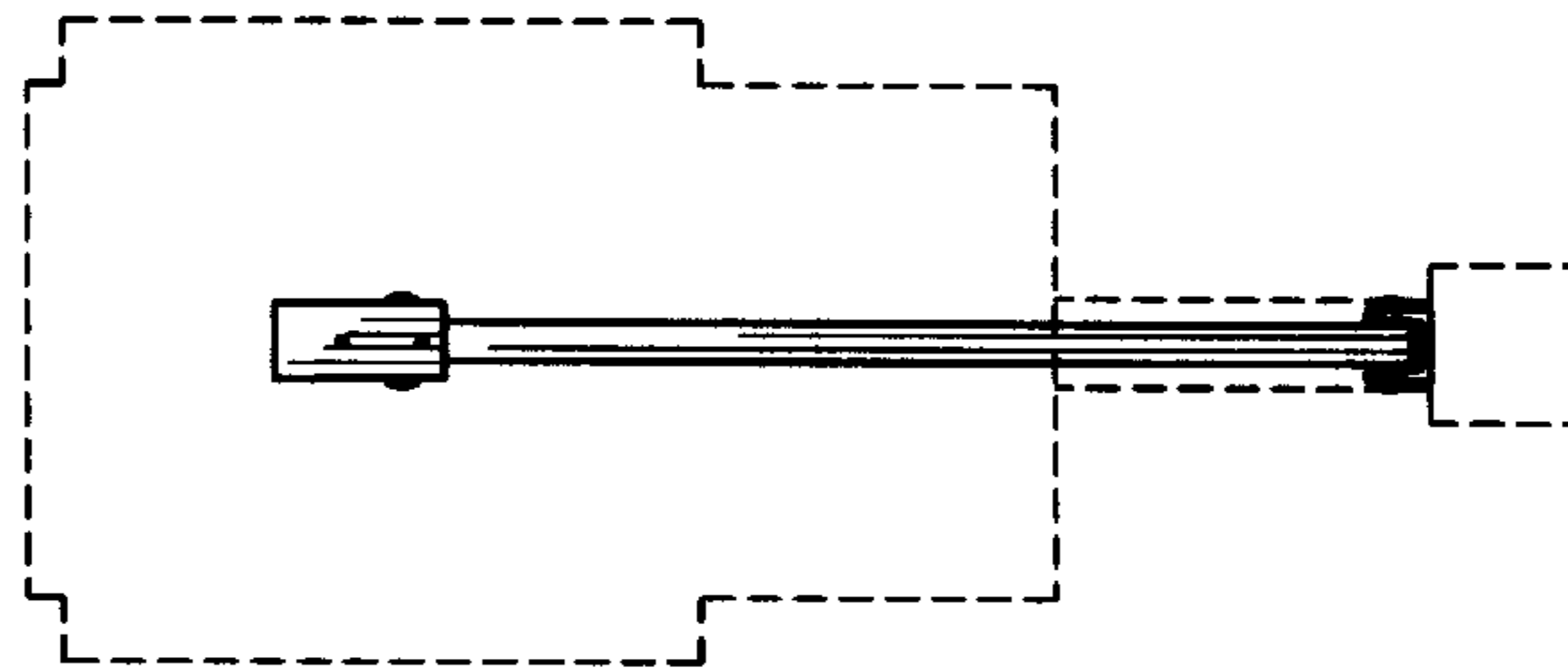


FIG. 4