



US00D441126S

(12) **United States Design Patent**
Dolan

(10) **Patent No.:** **US D441,126 S**

(45) **Date of Patent:** **** Apr. 24, 2001**

(54) **WALL MOUNTED LIGHT FIXTURE AND BASE**

(76) **Inventor:** **Patrick S. Dolan**, 1901 NW. Upshur, Portland, OR (US) 97209

(**) **Term:** **14 Years**

(21) **Appl. No.:** **29/125,276**

(22) **Filed:** **Jun. 21, 2000**

(51) **LOC (7) Cl.** **26-03**

(52) **U.S. Cl.** **D26/87**

(58) **Field of Search** D26/72, 80-92,
D26/142-145, 155; 362/147, 404-408,
432

(56) **References Cited**

U.S. PATENT DOCUMENTS

D. 57,161 * 2/1921 Strahan D26/145
D. 57,167 * 2/1921 Strahan D26/145

OTHER PUBLICATIONS

Metropolitan, Corona, CA, Cat. 1998, p. 206, Model N200401.

Murray Feiss, Bronx NY, Cat. 2000 p. 154, Model OL1400 VP.

Nulco Lighting, Pawtucket R.I. Epoch Collection, p. 21, 1994, Model 5291.

World Imports, Atlanta, GA, Cat. 1996, p. 7, Model 3708.

* cited by examiner

Primary Examiner—Alan P. Douglas

Assistant Examiner—Linda Brooks

(57) **CLAIM**

The ornamental design for a wall mounted light fixture and base, as shown and described.

DESCRIPTION

FIG. 1 is a perspective view thereof;

FIG. 2 is a front elevational view thereof;

FIG. 3 is a right side view, the left side view being a mirror image;

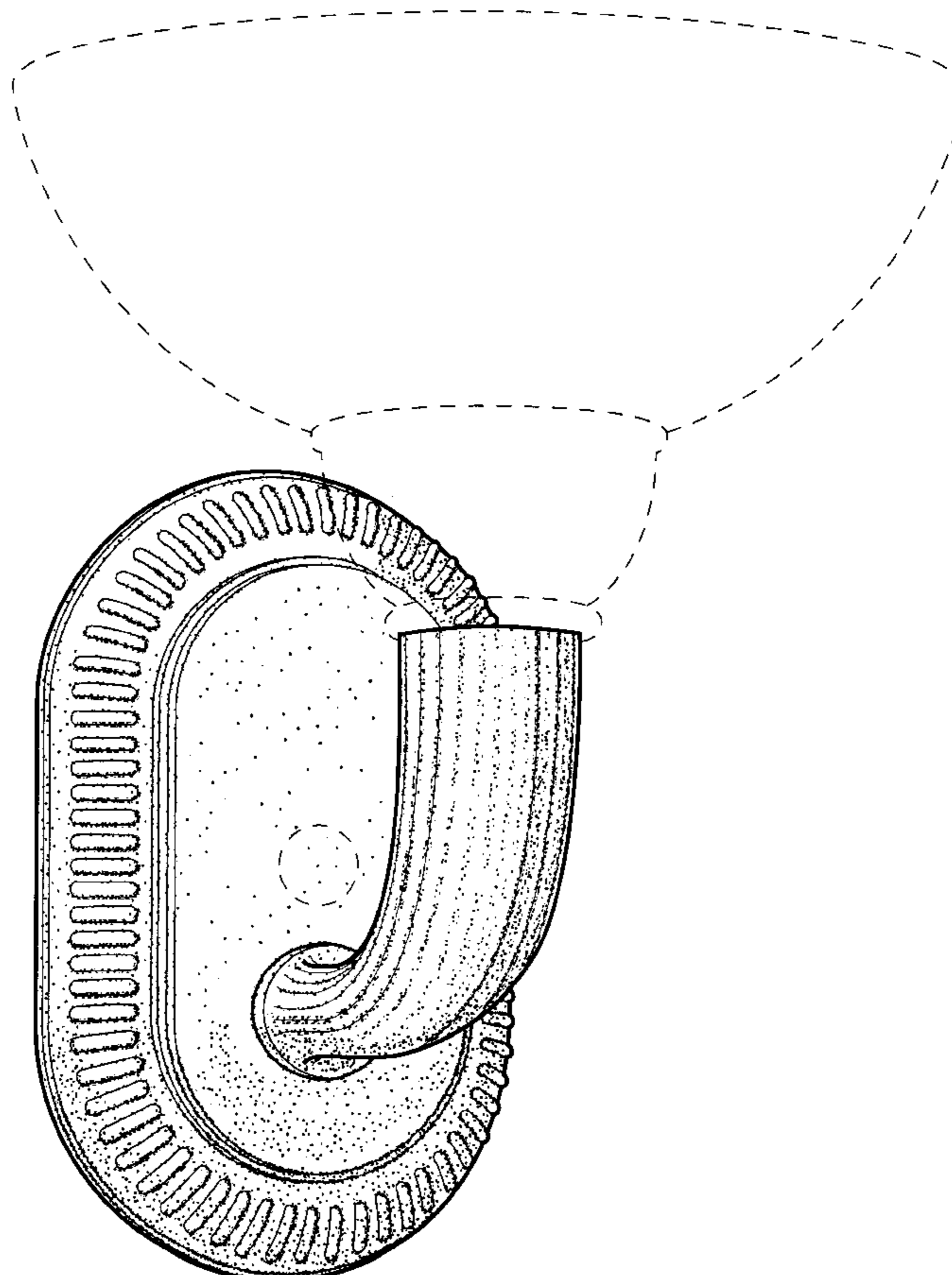
FIG. 4 is a back view thereof;

FIG. 5 is a top plan view thereof; and,

FIG. 6 is a bottom plan view thereof.

The broken lines shown in the drawing are environmental only and form no part of the claimed design.

1 Claim, 6 Drawing Sheets



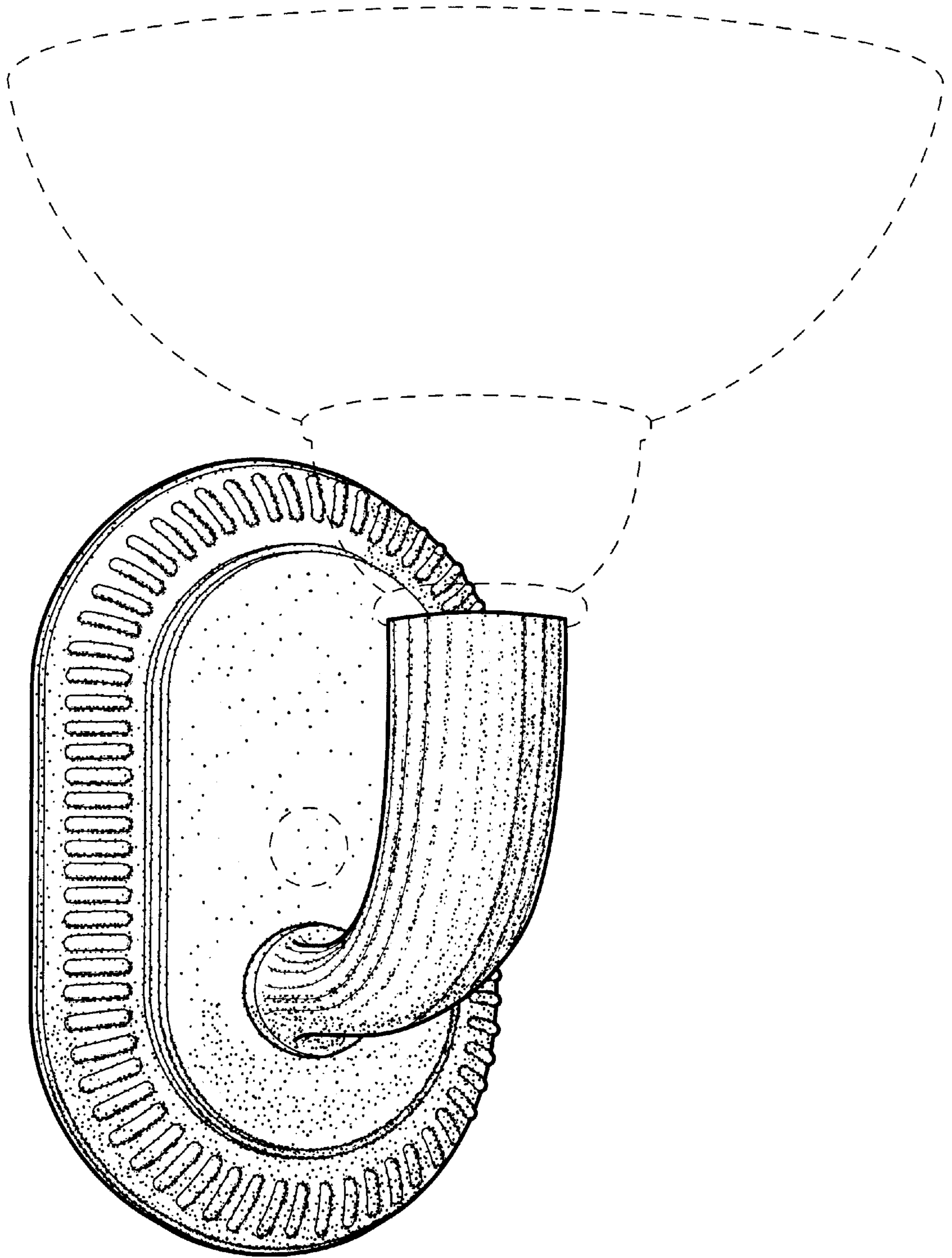


FIG. 1

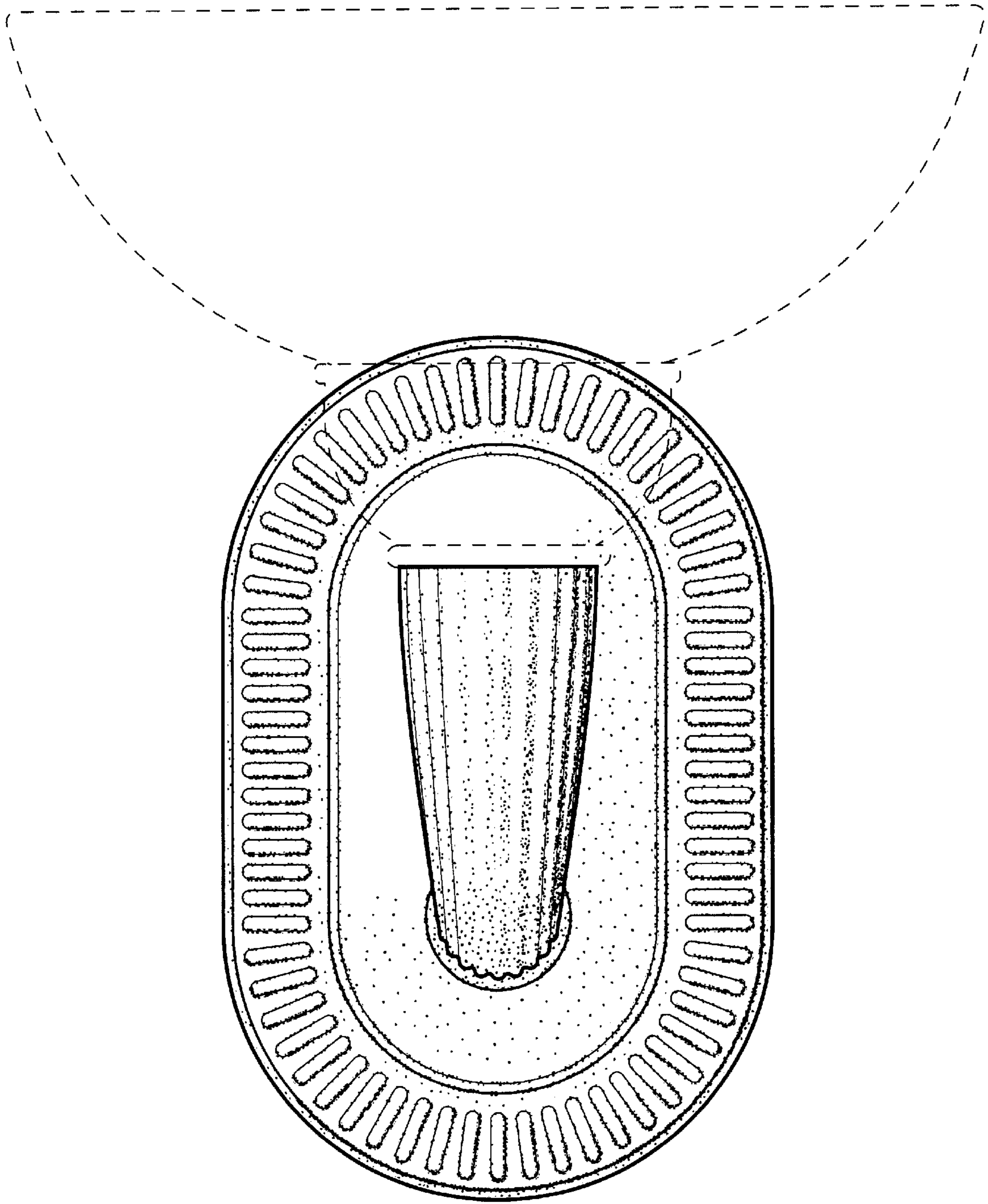


FIG. 2

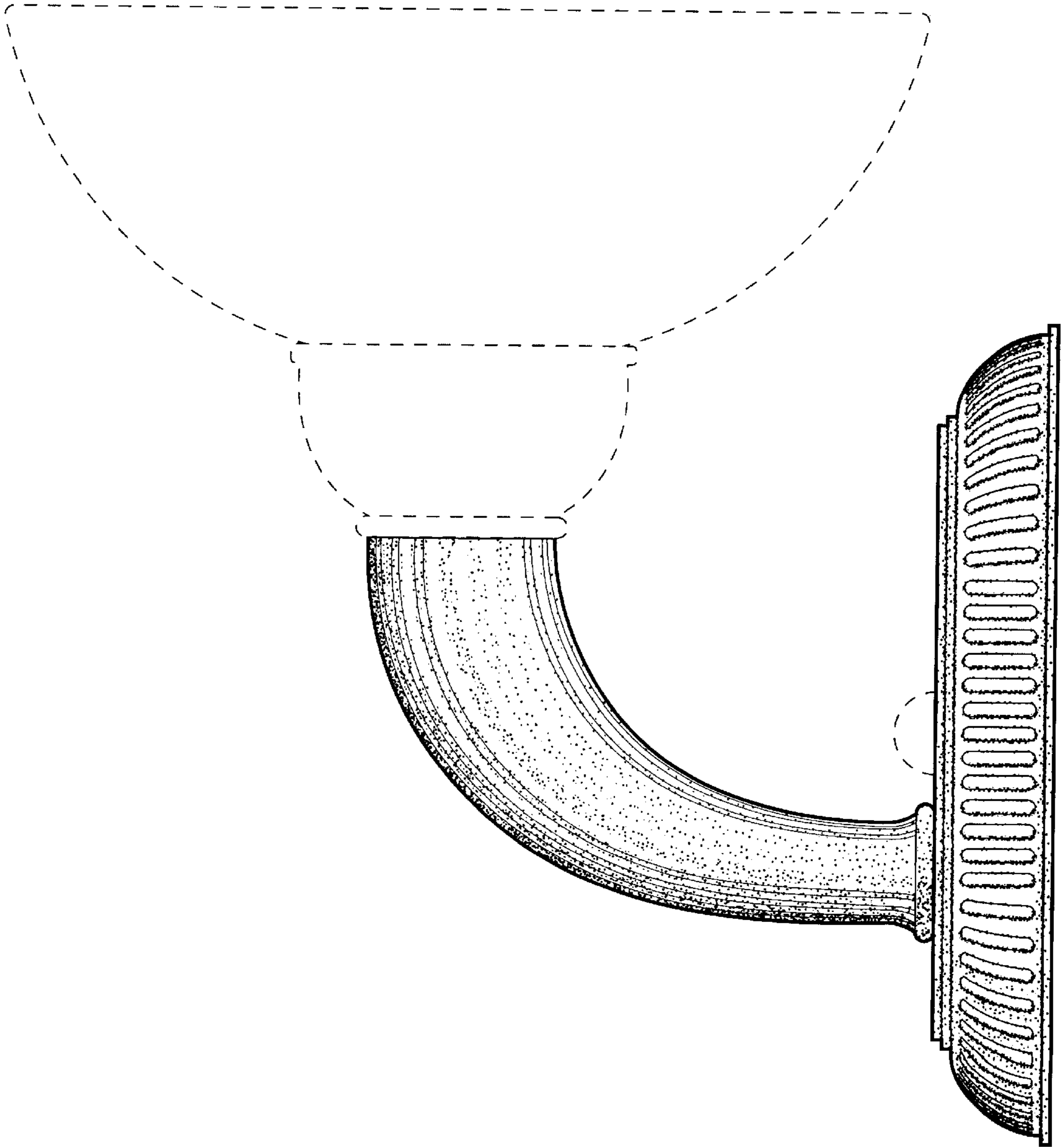


FIG. 3

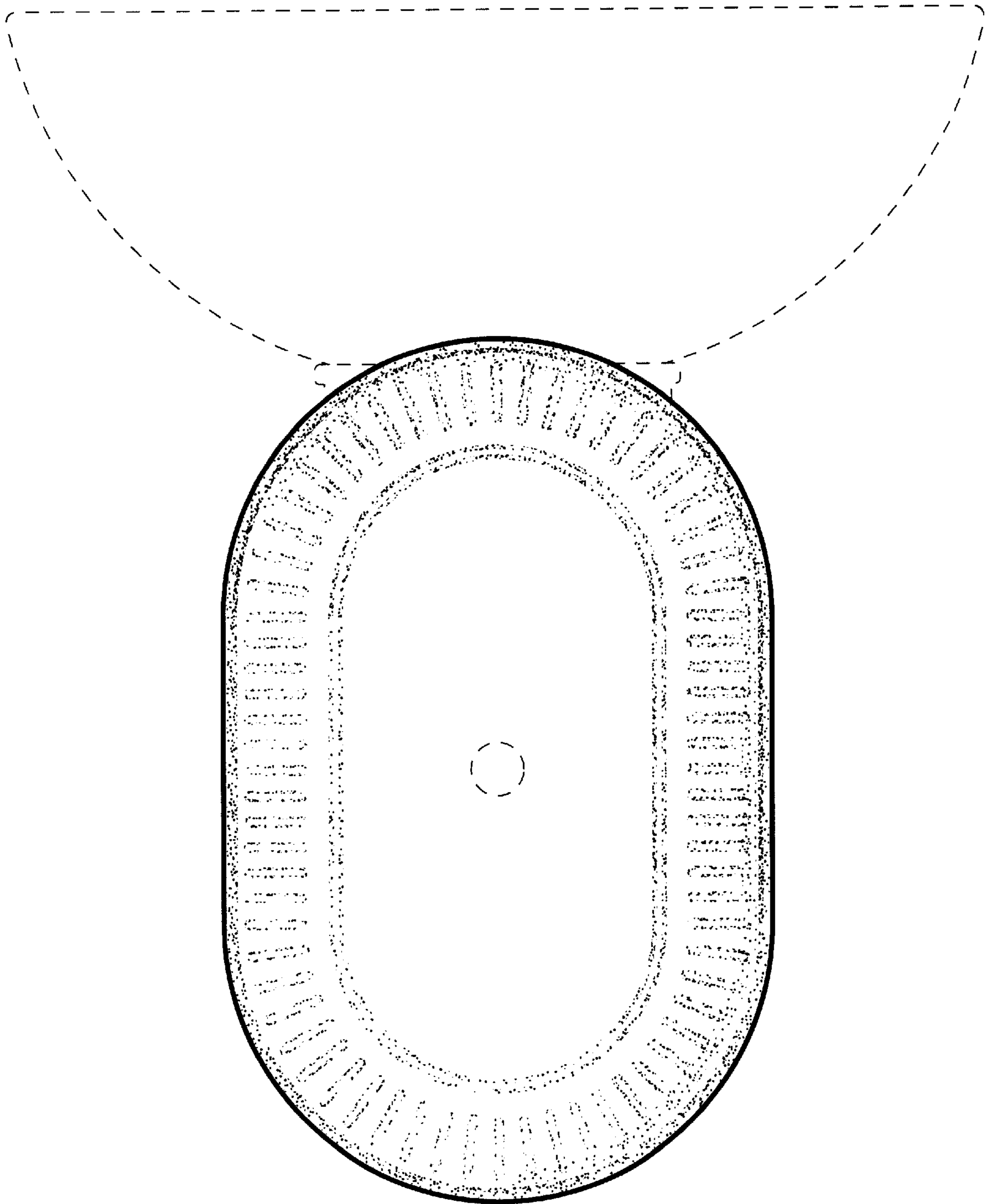


FIG. 4

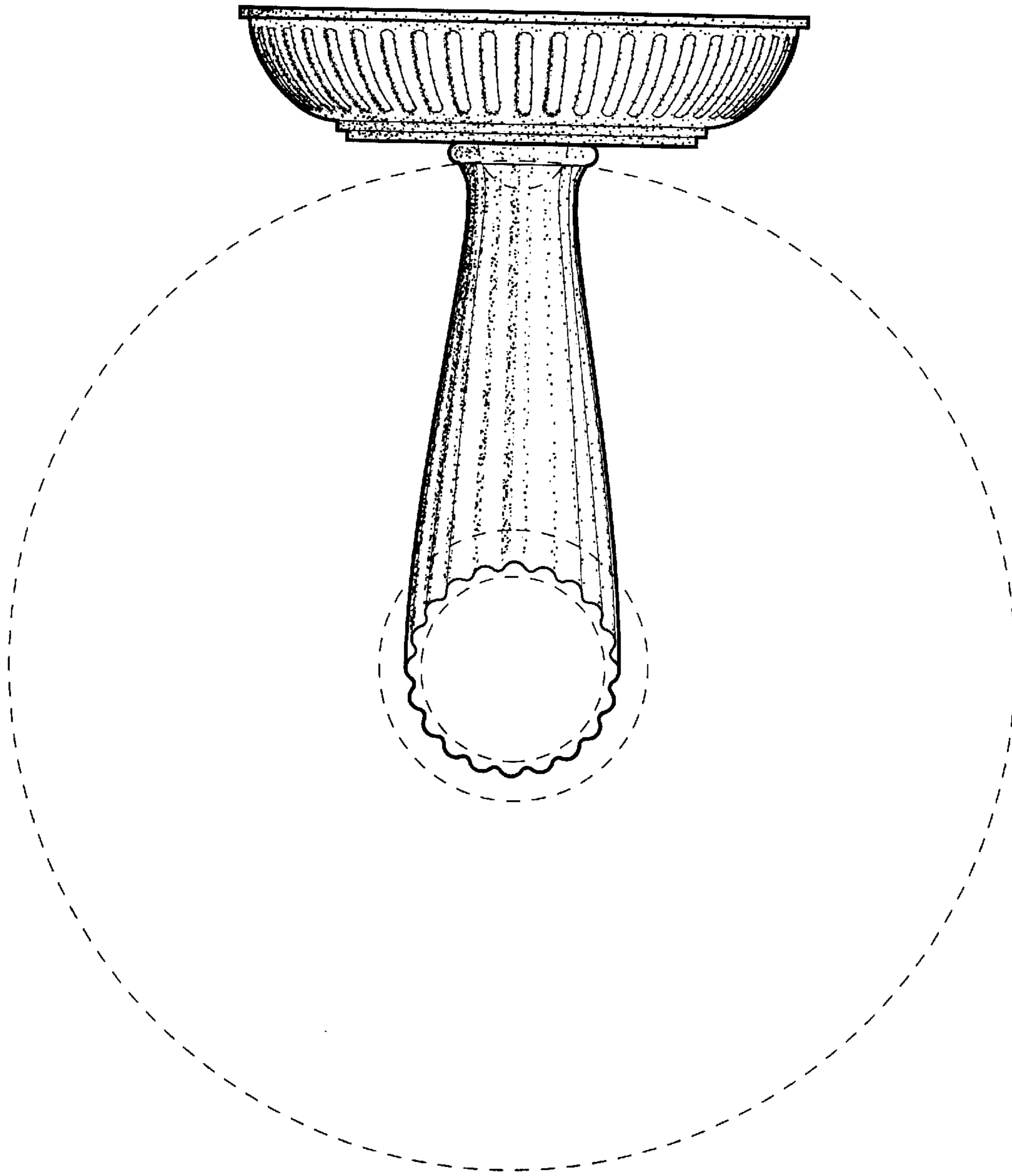


FIG. 5

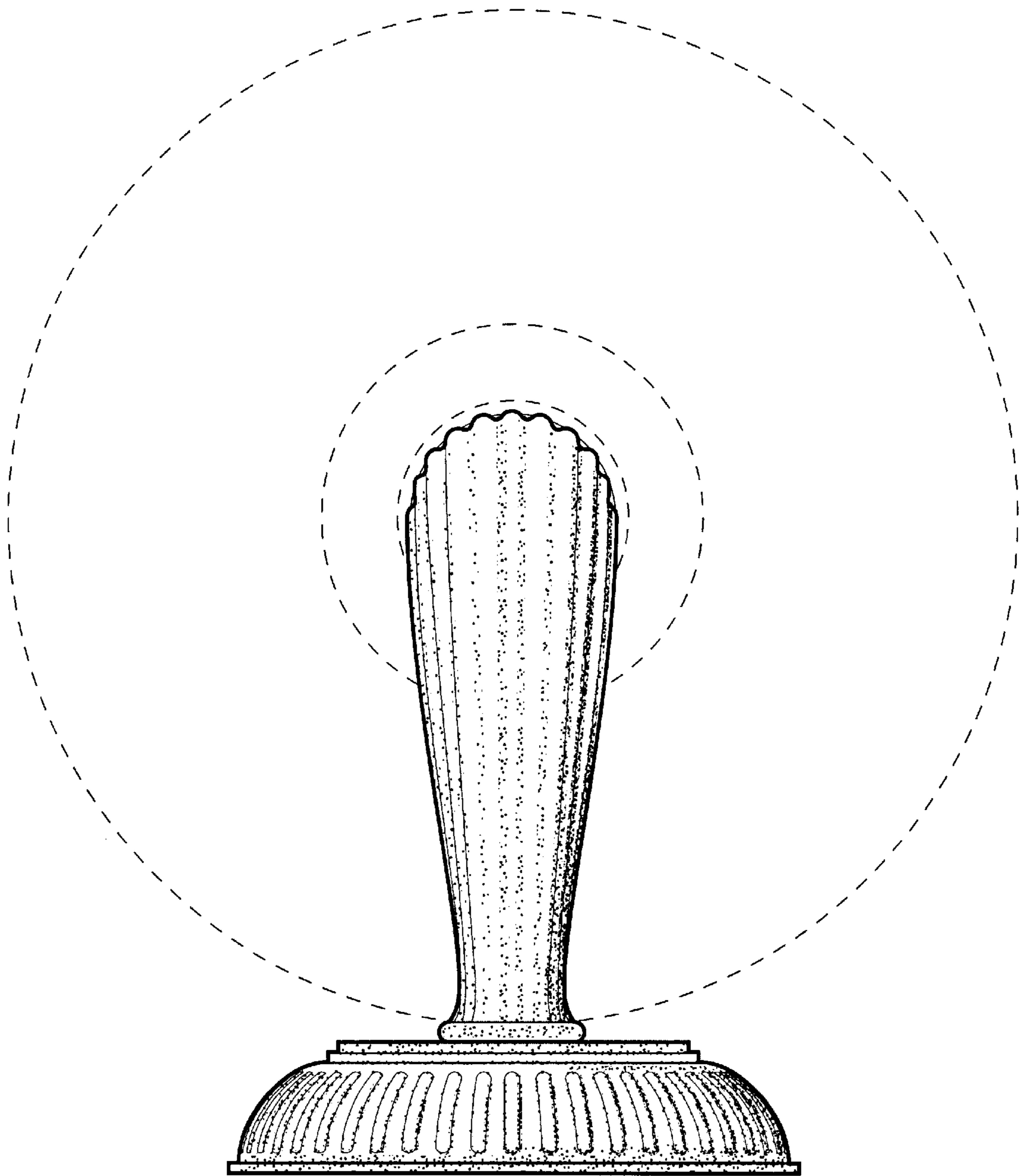


FIG. 6