



US00D441123S

(12) **United States Design Patent**
Dolan

(10) **Patent No.:** **US D441,123 S**

(45) **Date of Patent:** **** Apr. 24, 2001**

(54) **CHANDELIER**

(76) Inventor: **Patrick S. Dolan**, 1901 NW. Upshur,
Portland, OR (US) 97209

(**) Term: **14 Years**

(21) Appl. No.: **29/125,274**

(22) Filed: **Jun. 21, 2000**

(51) **LOC (7) Cl.** **26-05**

(52) **U.S. Cl.** **D26/86**

(58) **Field of Search** D26/72, 80-92;
362/147, 404-408

(56) **References Cited**

U.S. PATENT DOCUMENTS

- D. 380,571 * 7/1997 Dolan D26/84
- D. 403,793 * 1/1999 Dolan D26/84
- D. 404,162 * 1/1999 Dolan D26/84

OTHER PUBLICATIONS

- Dolan Designs, 1995, p. 6, chandelier #99-13, Group 2900, ceiling lamp box.*
- Kenroy Int'l Jacksonville, FL Catalog 1996 p. 51, Model 77050.
- Elk Lighting Summit Hill, PA 1999 Catalog #9801 p. 46, Model 5784.
- Elk Lighting Summit Hill, PA 1999 Catalog # 9900 p. 25, Model 3685.

- Elk Lighting Summit Hill, PA 1999 Catalog # 9900 p. 18, Model 2403.
- Forecast Elgin, IL Brochure F27346 p. 6, Model F291-45.
- Elk Coaldale, PA Cat. 9600, 1996 Model 3431, p. 3.
- Classic Lighting Palm Coast, FL Cat. 3594, 1994 p. 2, Model 2429.
- Forecast Elgin, IL Cat. 1999 p. 23, Model 159-57.
- Georgian Art Lawrenceville, GA Cat 049325, 1993 p. 36, Model 60-1990.
- H.A. Framburg Bellwood, IL Cat-A-96, 1996 p. 102, Model 8305.

* cited by examiner

Primary Examiner—Susan J. Lucas

(57) **CLAIM**

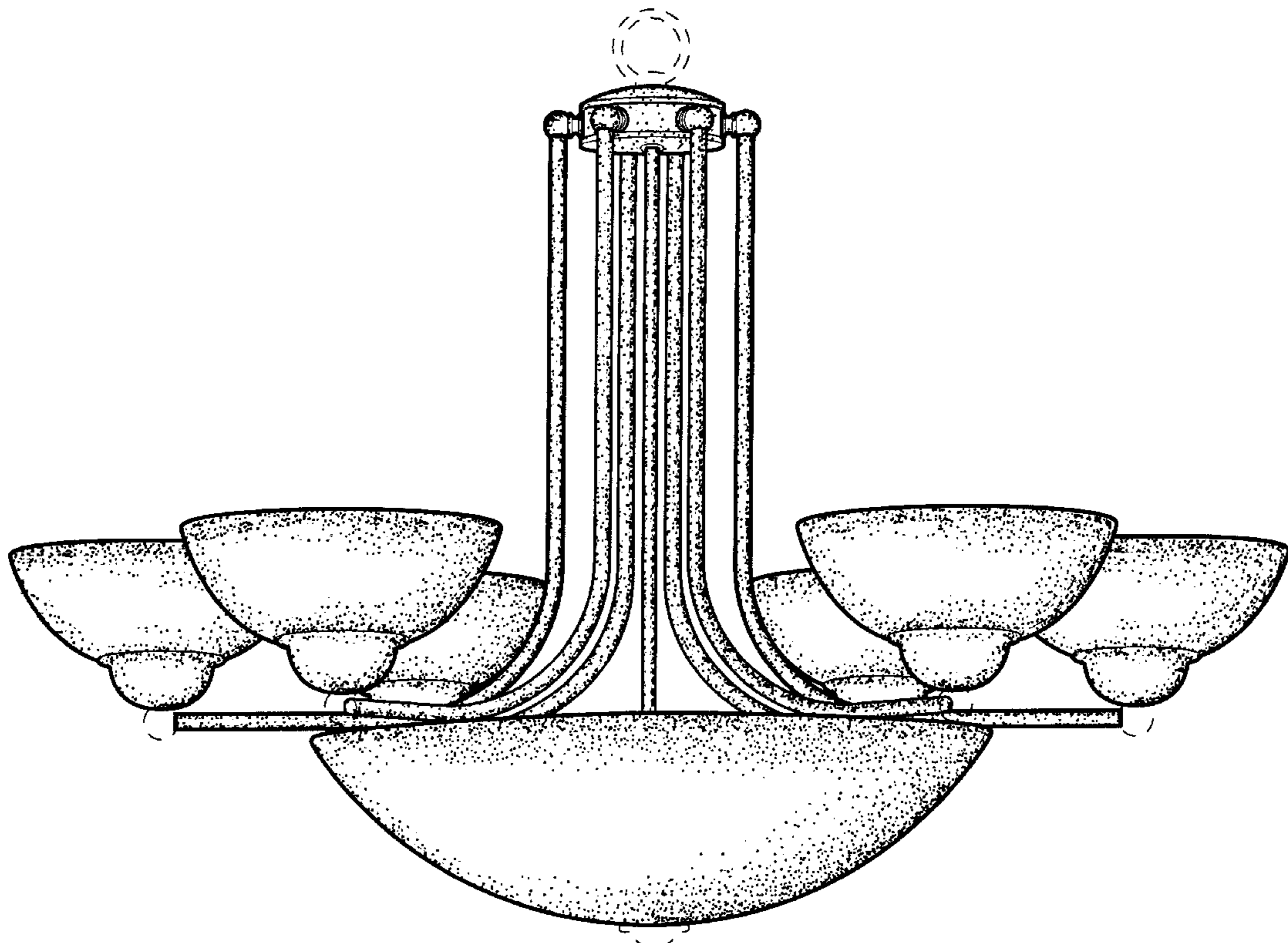
The ornamental design for a chandelier, as shown and described.

DESCRIPTION

FIG. 1 is a perspective view thereof;
 FIG. 2 is a front elevational view thereof, the back view being identical;
 FIG. 3 is a right side view, the left side view being identical;
 FIG. 4 is a top plan view thereof; and,
 FIG. 5 is a bottom plan view thereof.

The broken lines shown in the drawing are environmental only and form no part of the claimed design.

1 Claim, 5 Drawing Sheets



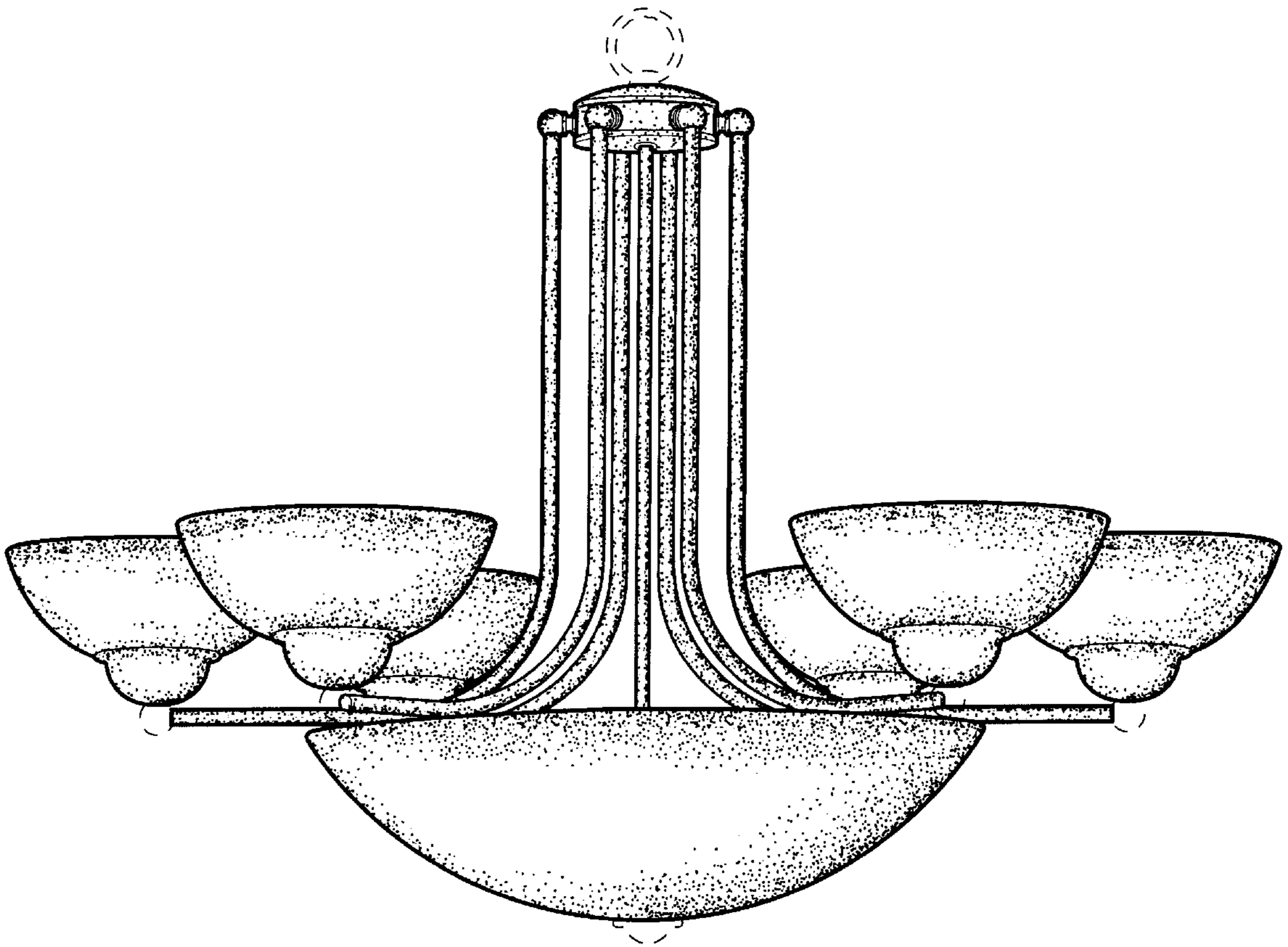


FIG. 1

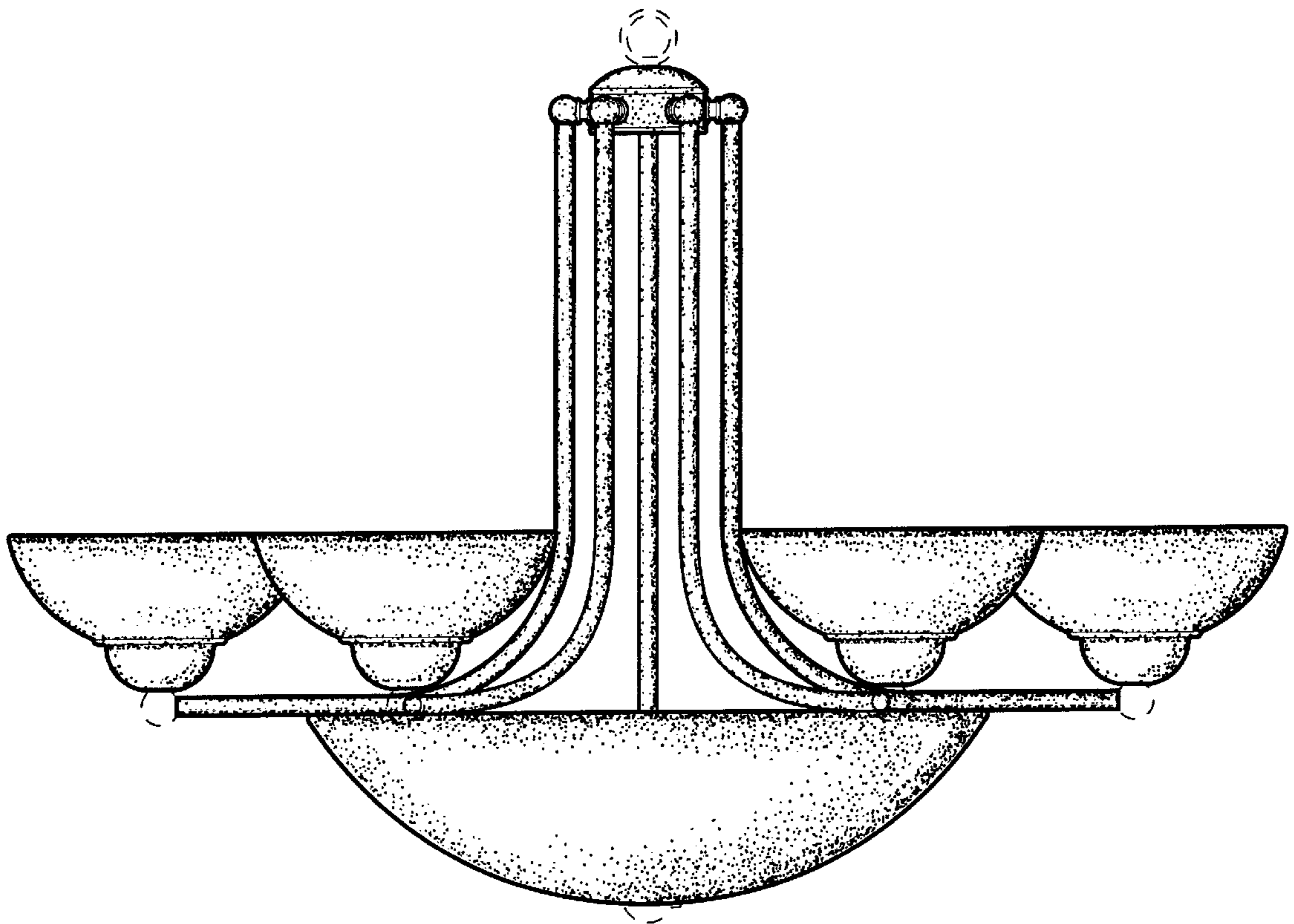


FIG. 2

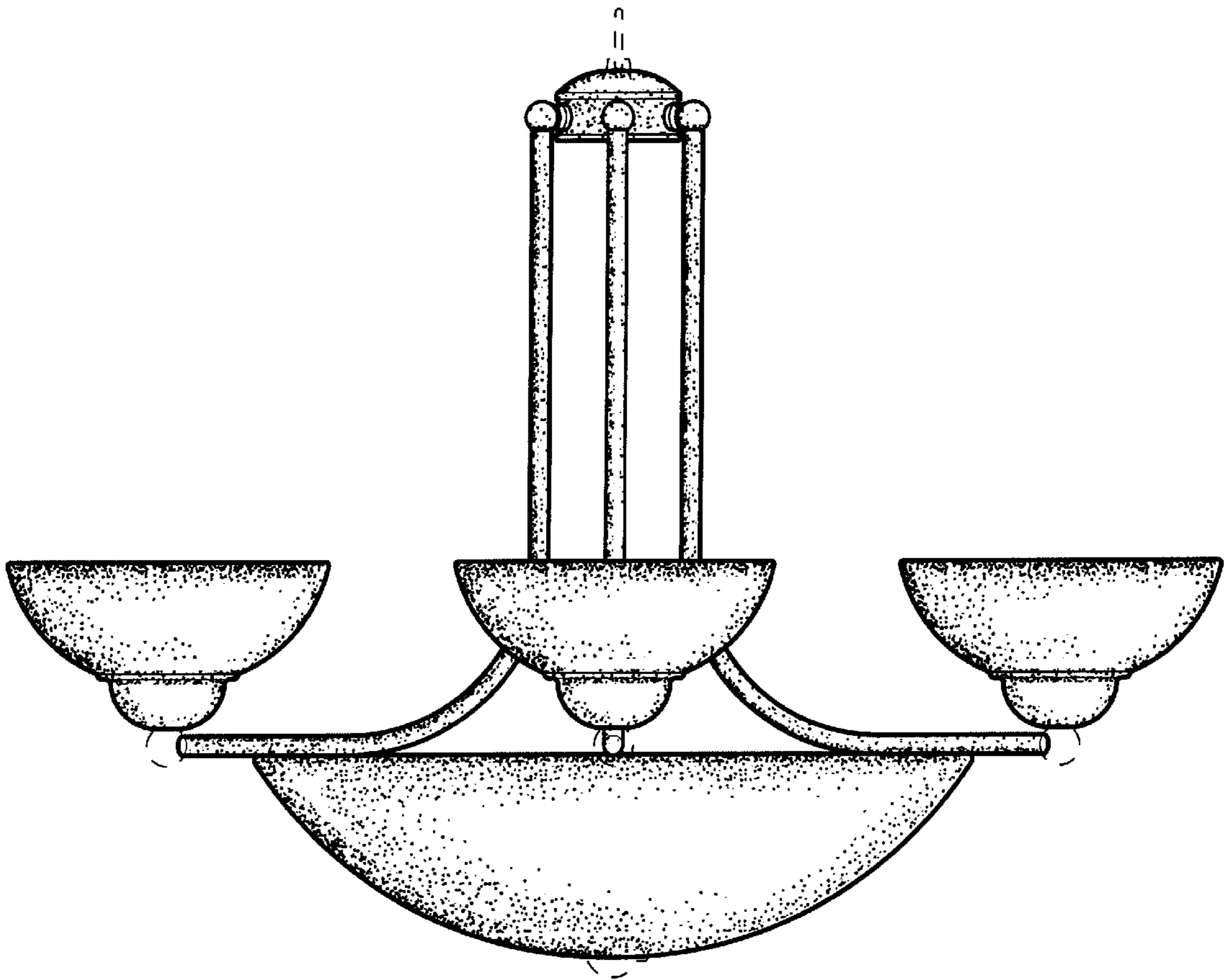


FIG. 3

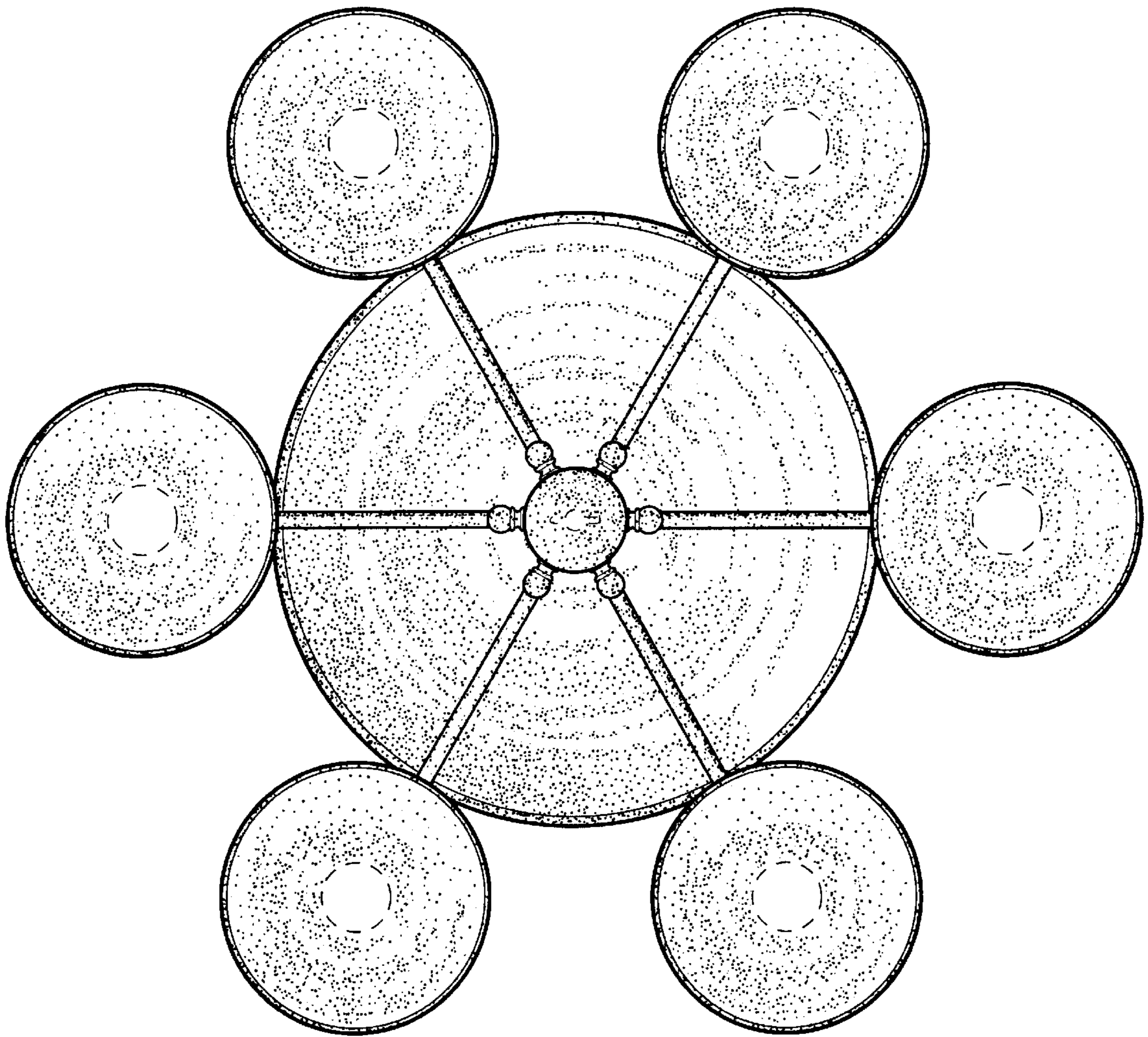


FIG. 4

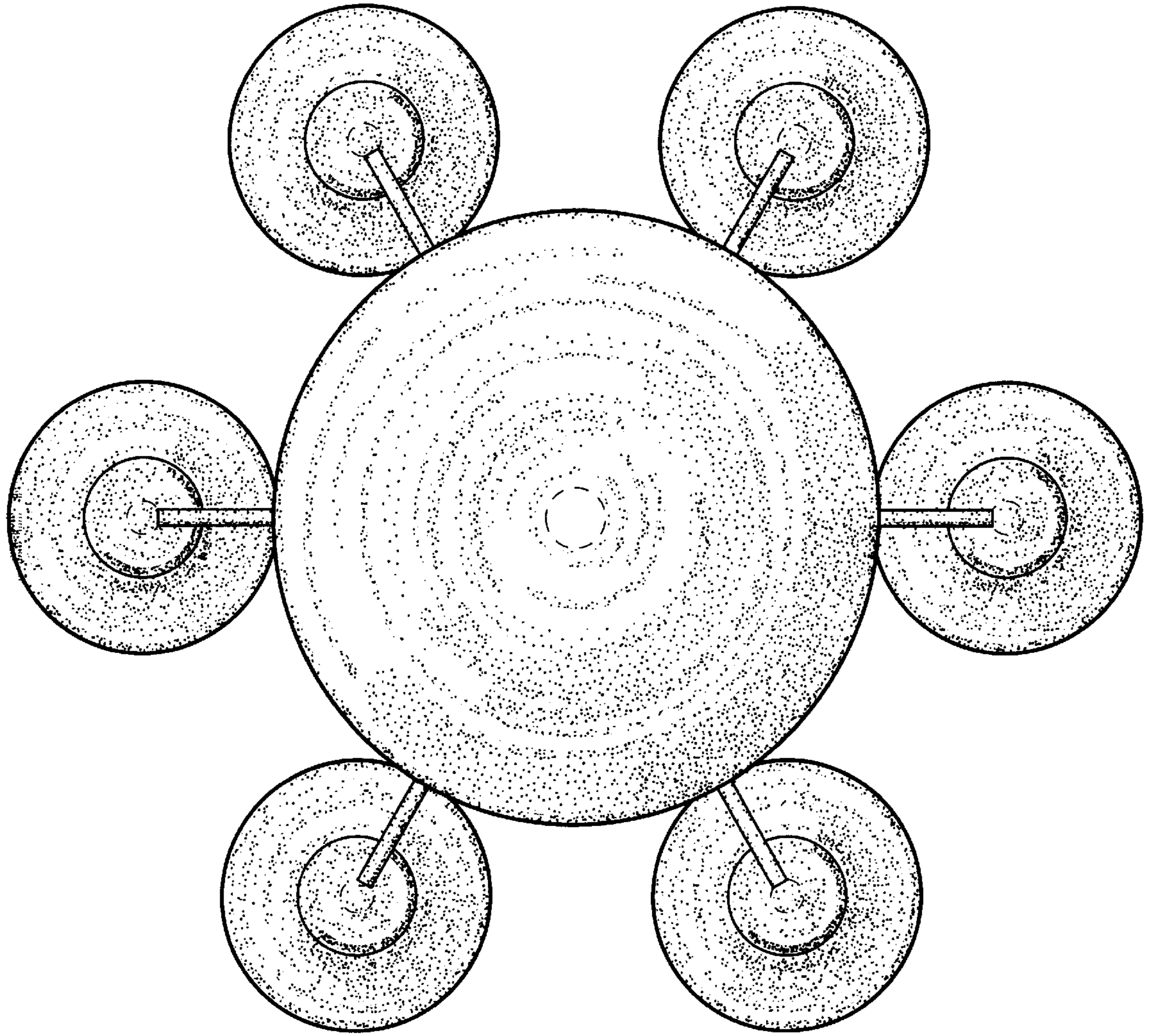


FIG. 5