



US00D441121S

(12) **United States Design Patent**
Dolan

(10) **Patent No.:** **US D441,121 S**

(45) **Date of Patent:** **** Apr. 24, 2001**

(54) **CHANDELIER**

(76) **Inventor:** **Patrick S. Dolan**, 1901 NW. Upshur,
Portland, OR (US) 97209

(**) **Term:** **14 Years**

(21) **Appl. No.:** **29/125,267**

(22) **Filed:** **Jun. 21, 2000**

(51) **LOC (7) Cl.** **26-05**

(52) **U.S. Cl.** **D26/86**

(58) **Field of Search** D26/72, 80-92,
D26/142; 362/147, 404-408

(56) **References Cited**

U.S. PATENT DOCUMENTS

D. 431,087 * 9/2000 Dolan D26/81

OTHER PUBLICATIONS

Sea Gull lighting catalog, 1996, p. 24, chandelier, #
6672-62.*

Forte Fontana, CA Cat. 1998 # 9811 p. 23—Model
2061-04-09.

Corbett Dallas, TX Cat. 1994, p. 46, 1994 Model 1740.
Corbett Dallas, TX Catalog 1994, p. 44 Model 1745.
Corbett Dallas, TX Catalog 1994, p. 30 Model 5757.
World Imports Atlanta, GA Cat. No. 19, 1994 p. 9, Model
No. 7080-22.

* cited by examiner

Primary Examiner—Susan J. Lucas

(57) **CLAIM**

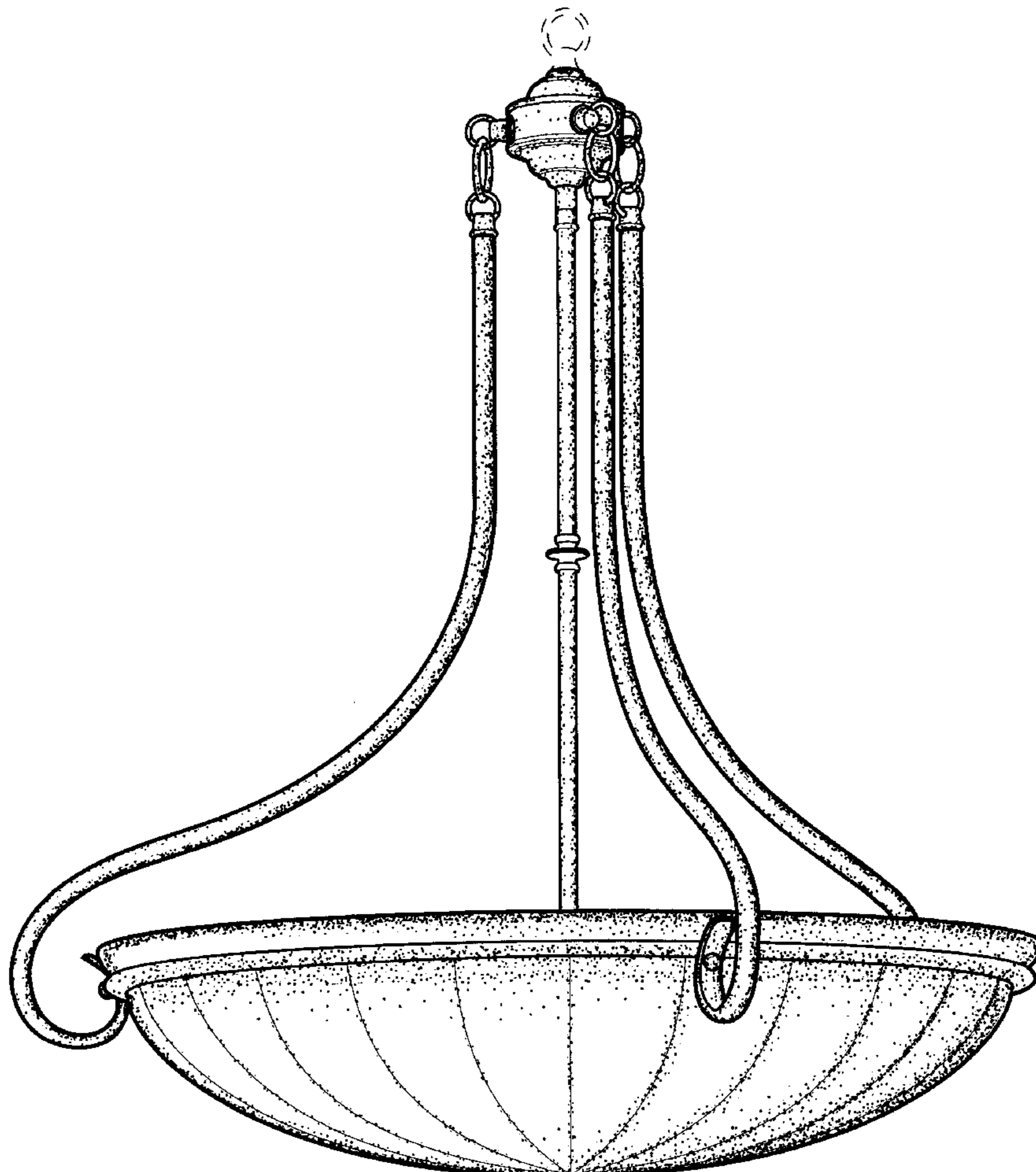
The ornamental design for a chandelier, as shown and
described.

DESCRIPTION

FIG. 1 is a perspective view thereof;
FIG. 2 is a front elevational view thereof;
FIG. 3 is a right side view, the left side being a mirror image;
FIG. 4 is a back elevational view thereof;
FIG. 5 is a top plan view thereof; and,
FIG. 6 is a bottom plan view thereof.

The broken lines shown in the drawing are environmental
only and form no part of the claimed design.

1 Claim, 6 Drawing Sheets



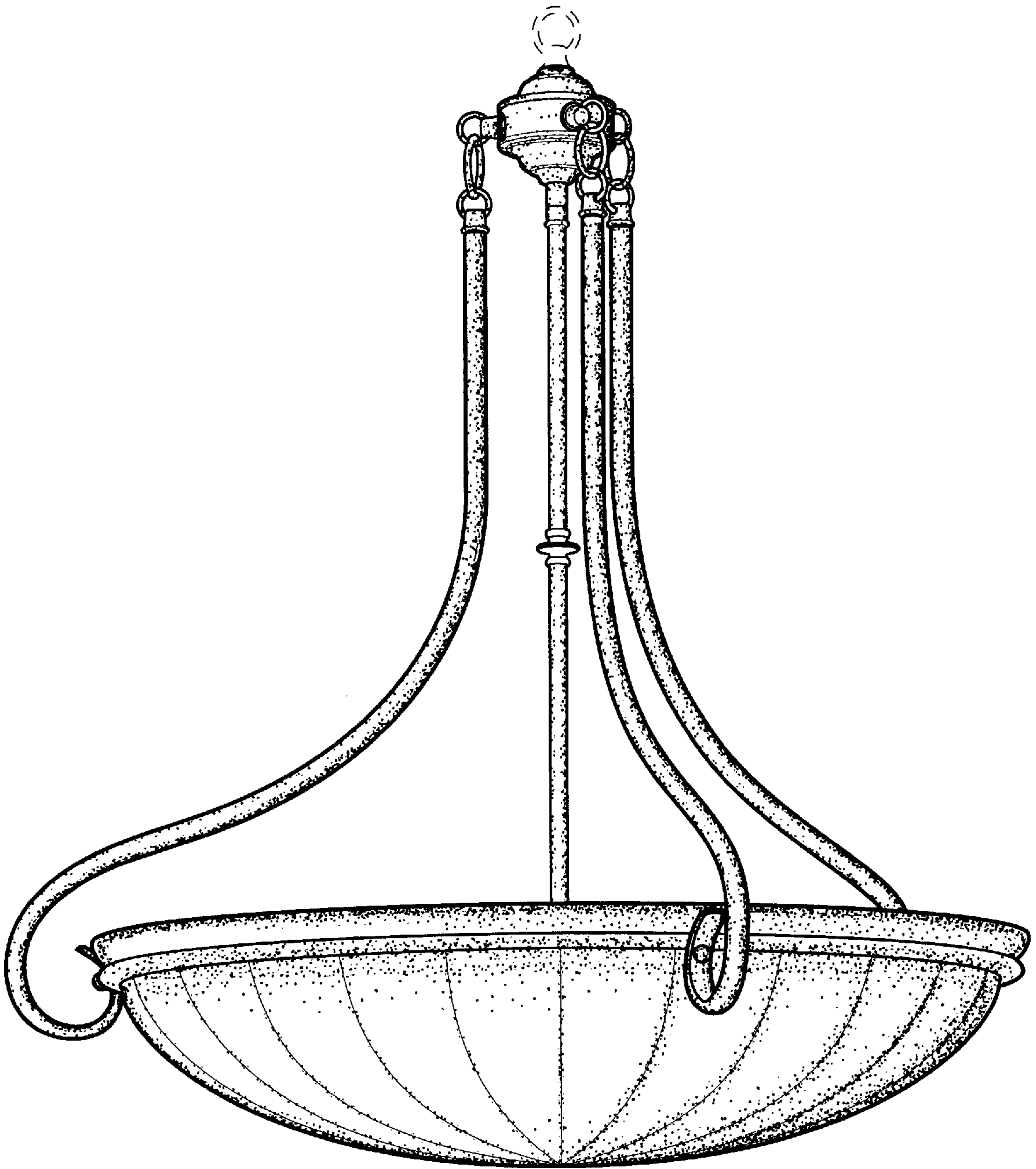


FIG. 1

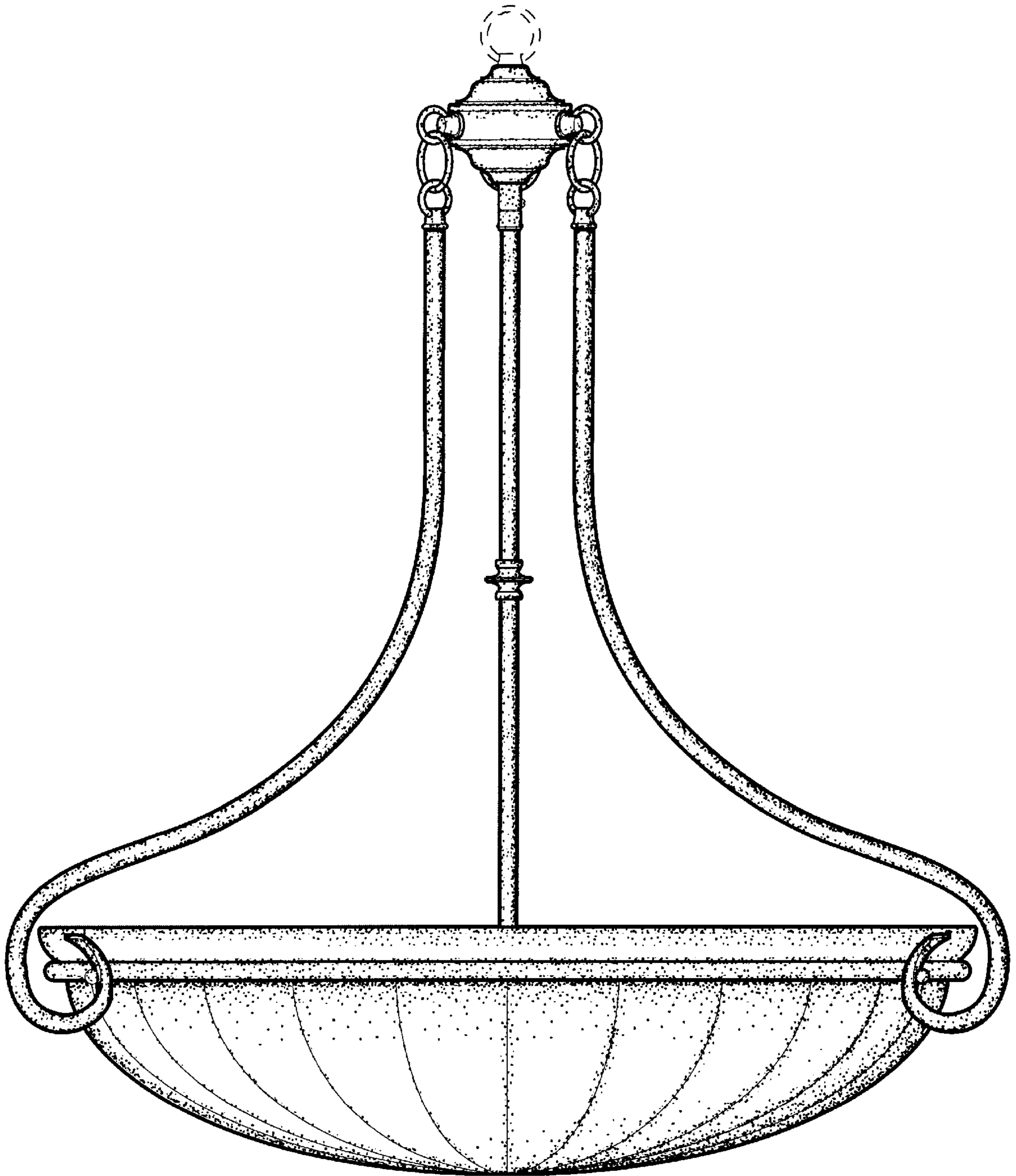


FIG. 2

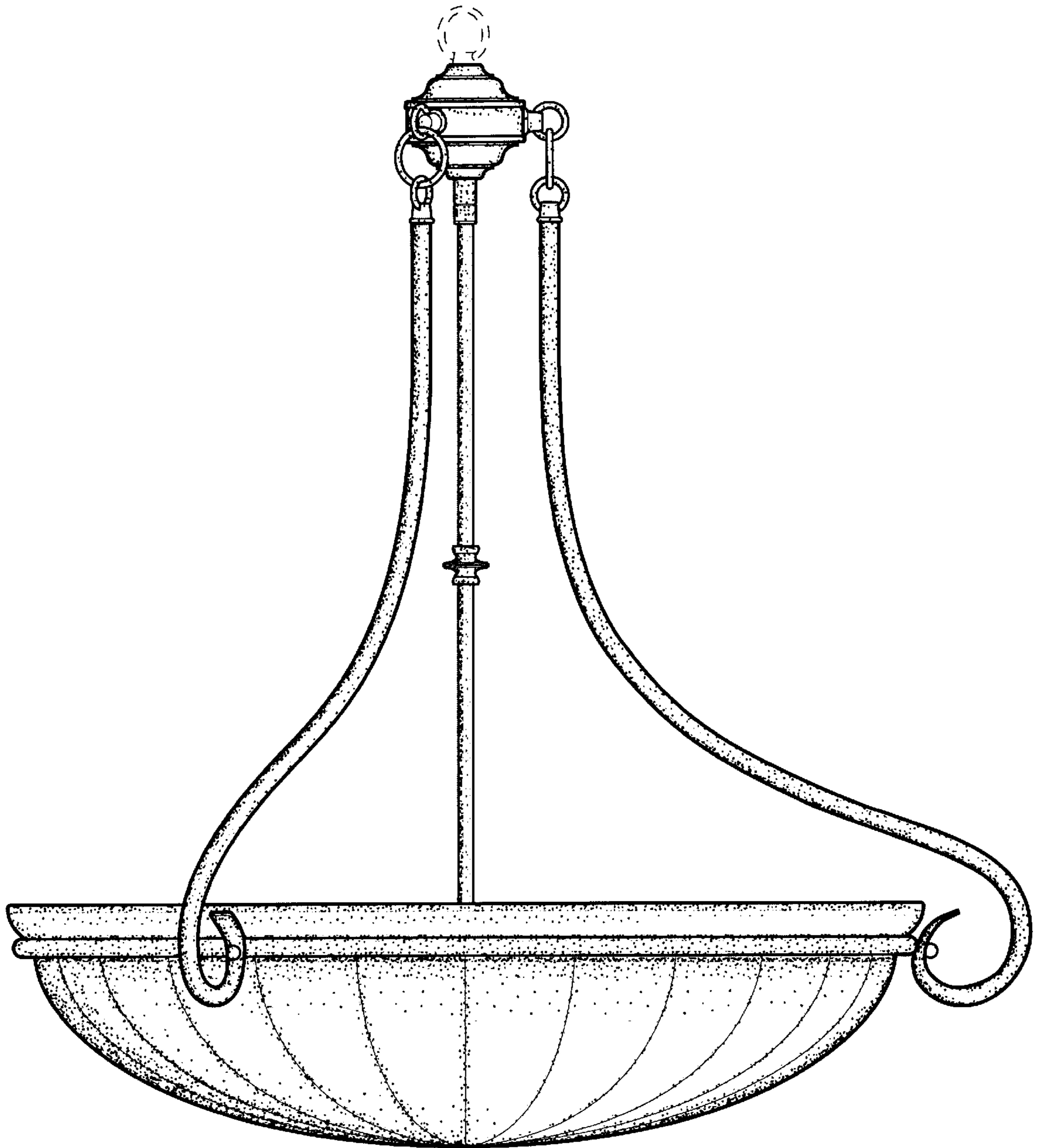


FIG. 3

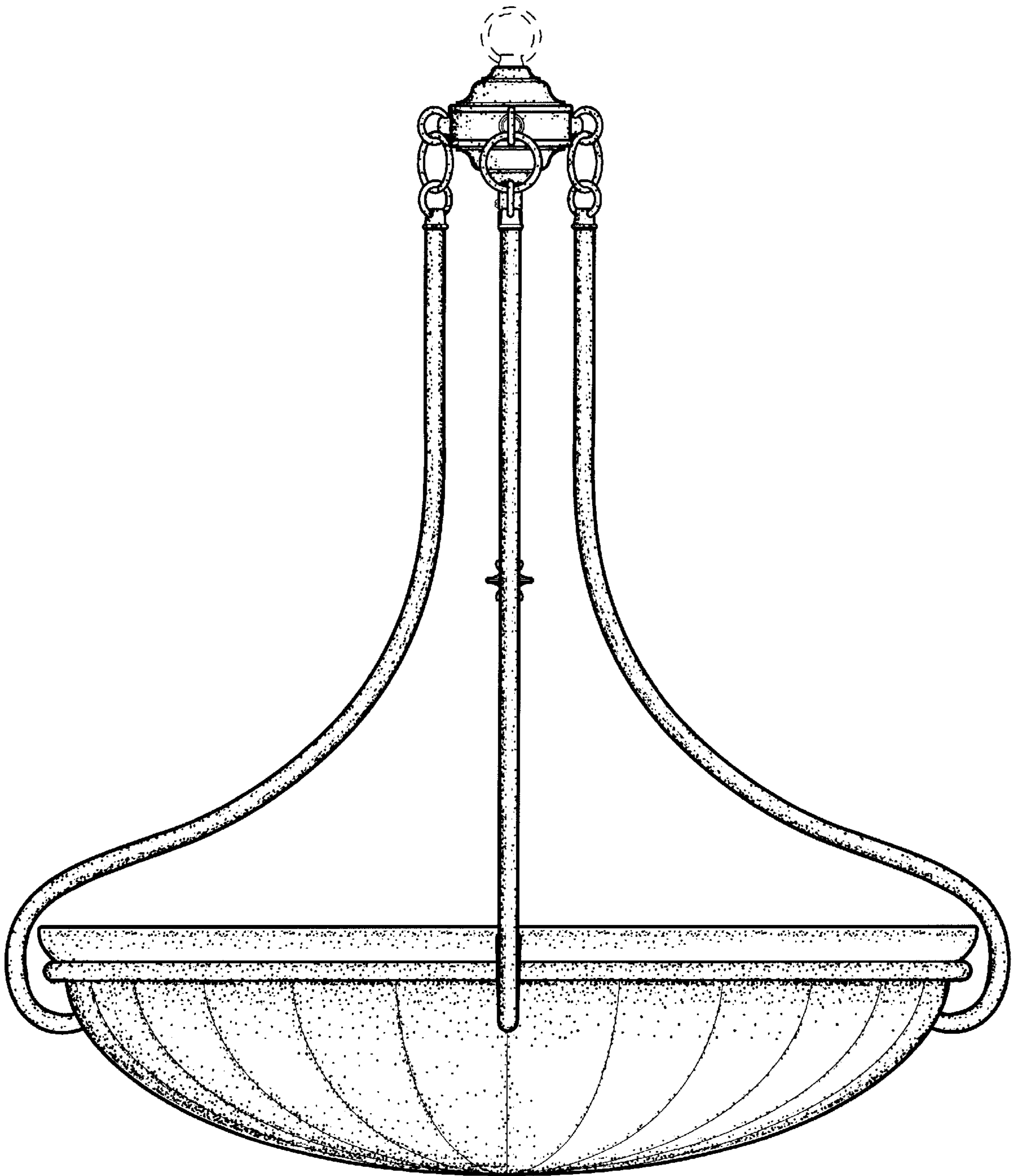


FIG. 4

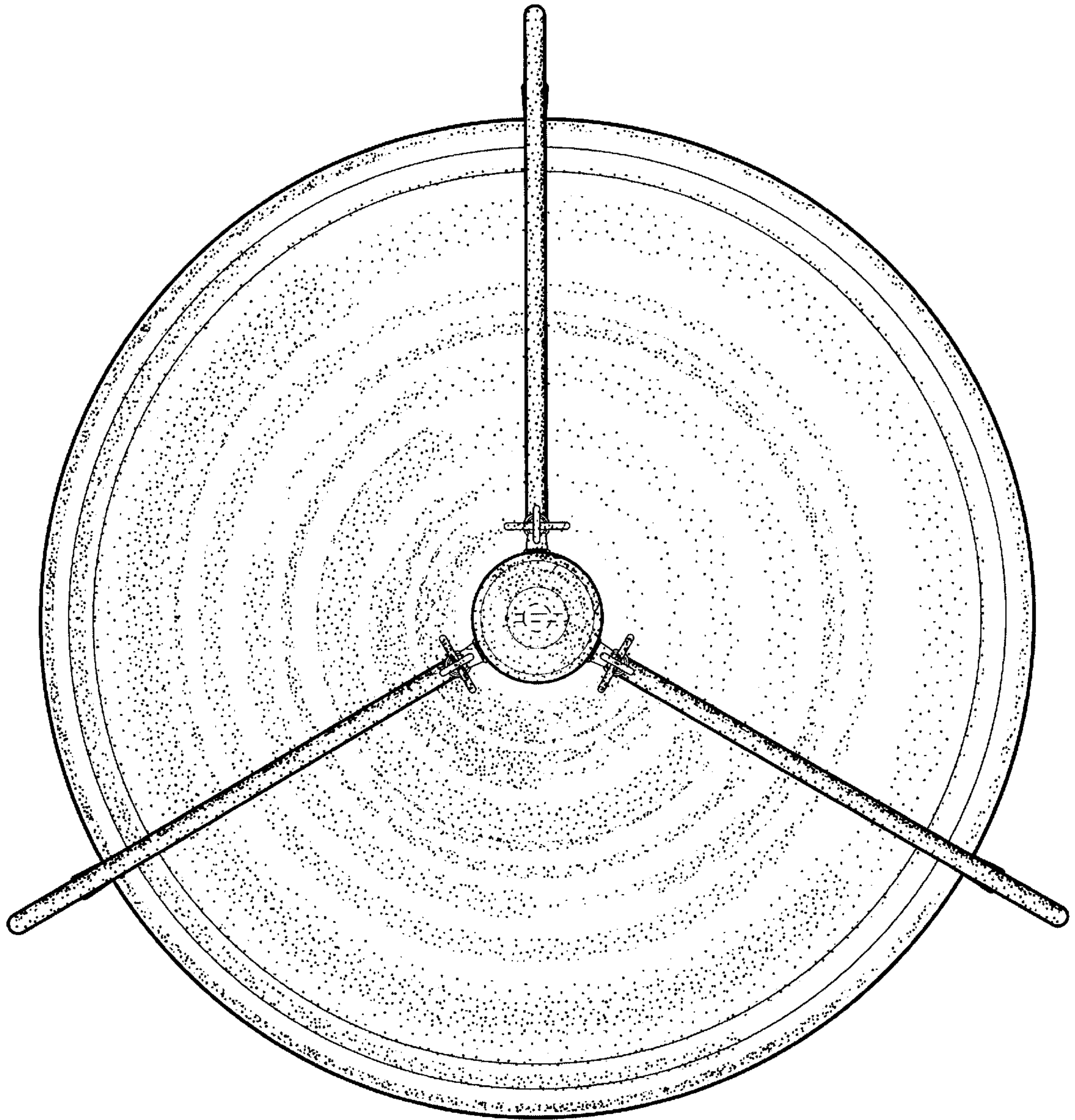


FIG. 5

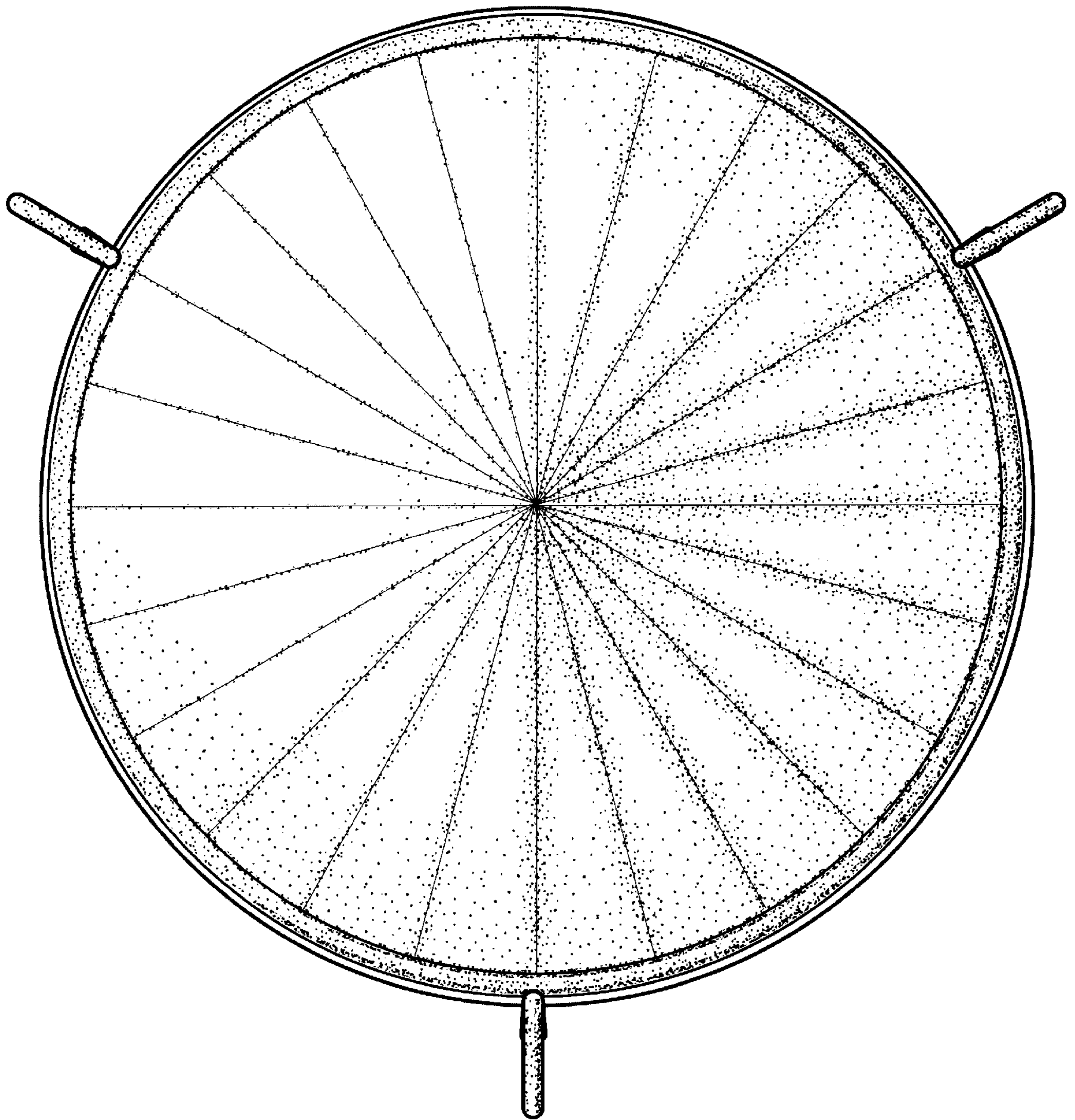


FIG. 6