



US00D441119S

(12) **United States Design Patent**
Crosby

(10) **Patent No.:** **US D441,119 S**

(45) **Date of Patent:** **** Apr. 24, 2001**

(54) **BOWL-SHAPED PENDANT LIGHT FIXTURE**

(75) Inventor: **Doyle Crosby**, Richmond, CA (US)

(73) Assignee: **Boyd Lighting Company**, San Francisco, CA (US)

(**) Term: **14 Years**

(21) Appl. No.: **29/119,903**

(22) Filed: **Mar. 8, 2000**

(51) **LOC (7) Cl.** **26-05**

(52) **U.S. Cl.** **D26/85**

(58) **Field of Search** D26/72, 80-92;
362/147, 404-408

(56) **References Cited**

PUBLICATIONS

American Glass Light Co. lighting catalog, 1987, p. 1, chandelier Ulysses Uplight.*

Forecast Decorative Lighting catalog, 1993, p. 48, chandelier # 5380-57.*

Home Lighting and Accessories, Jun. 1998, Tan. Go. lighting, chandelier, bottom left.*

* cited by examiner

Primary Examiner—Susan J. Lucas

(74) *Attorney, Agent, or Firm*—Jack Lo

(57) **CLAIM**

The ornamental design for a bowl-shaped pendant light fixture, as shown and described.

DESCRIPTION

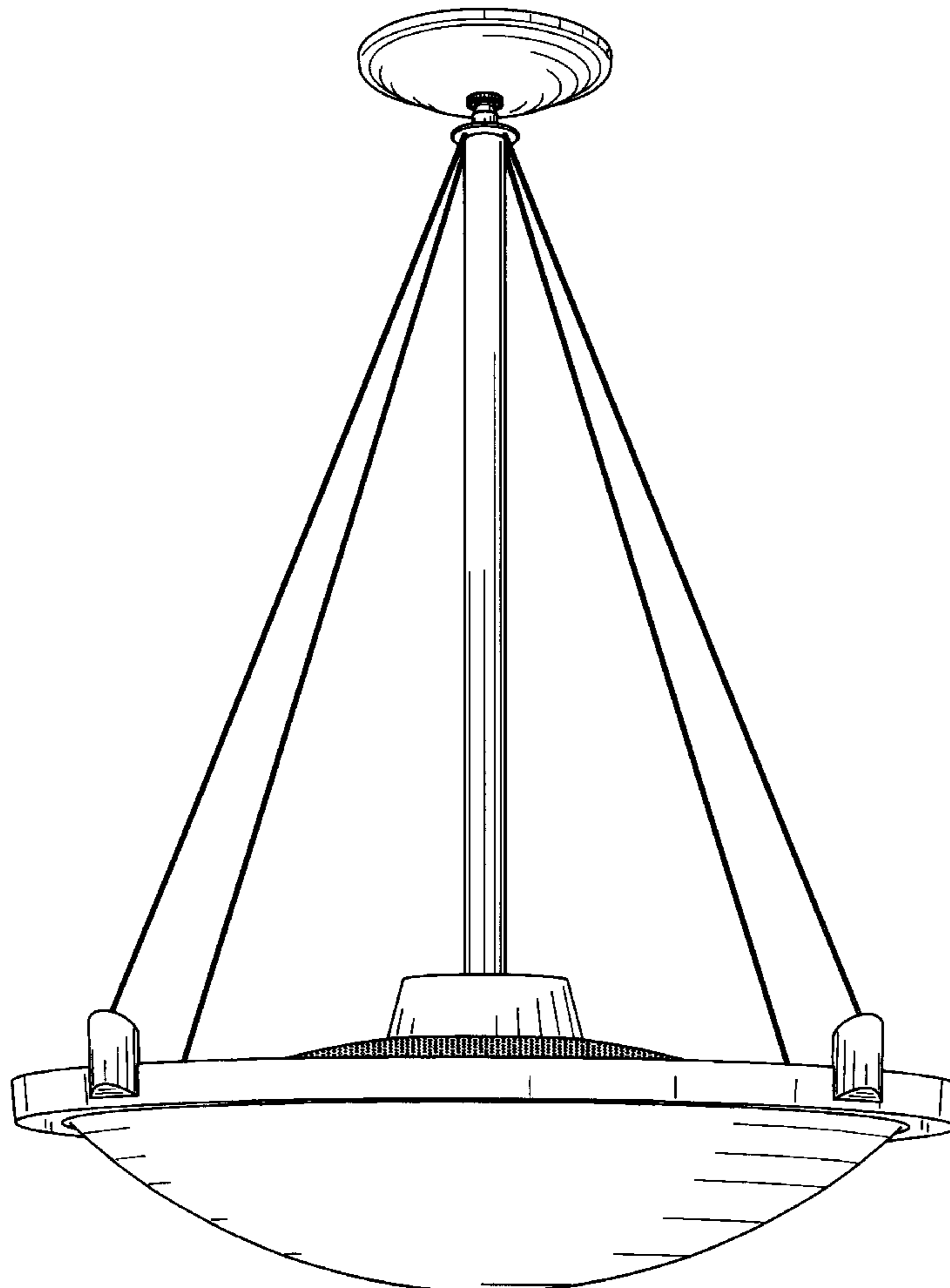
FIG. 1 is a bottom perspective view of a bowl-shaped pendant light fixture showing my new design.

FIG. 2 is a front view thereof; the rear view, right side view, and left side view are identical.

FIG. 3 is a top view thereof; the dashed lines represent unclaimed matter; and,

FIG. 4 is a bottom view thereof.

1 Claim, 4 Drawing Sheets



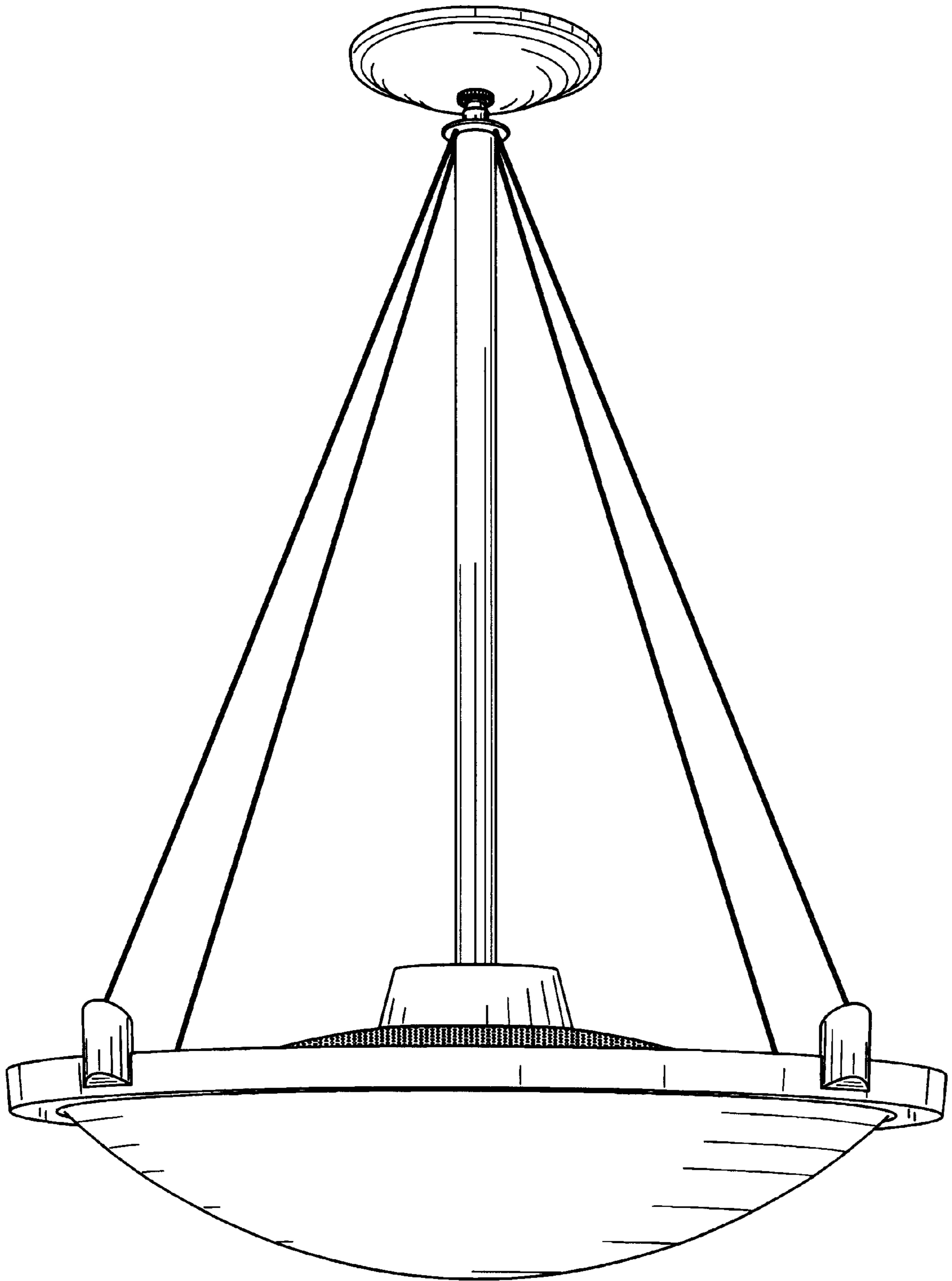


Fig. 1

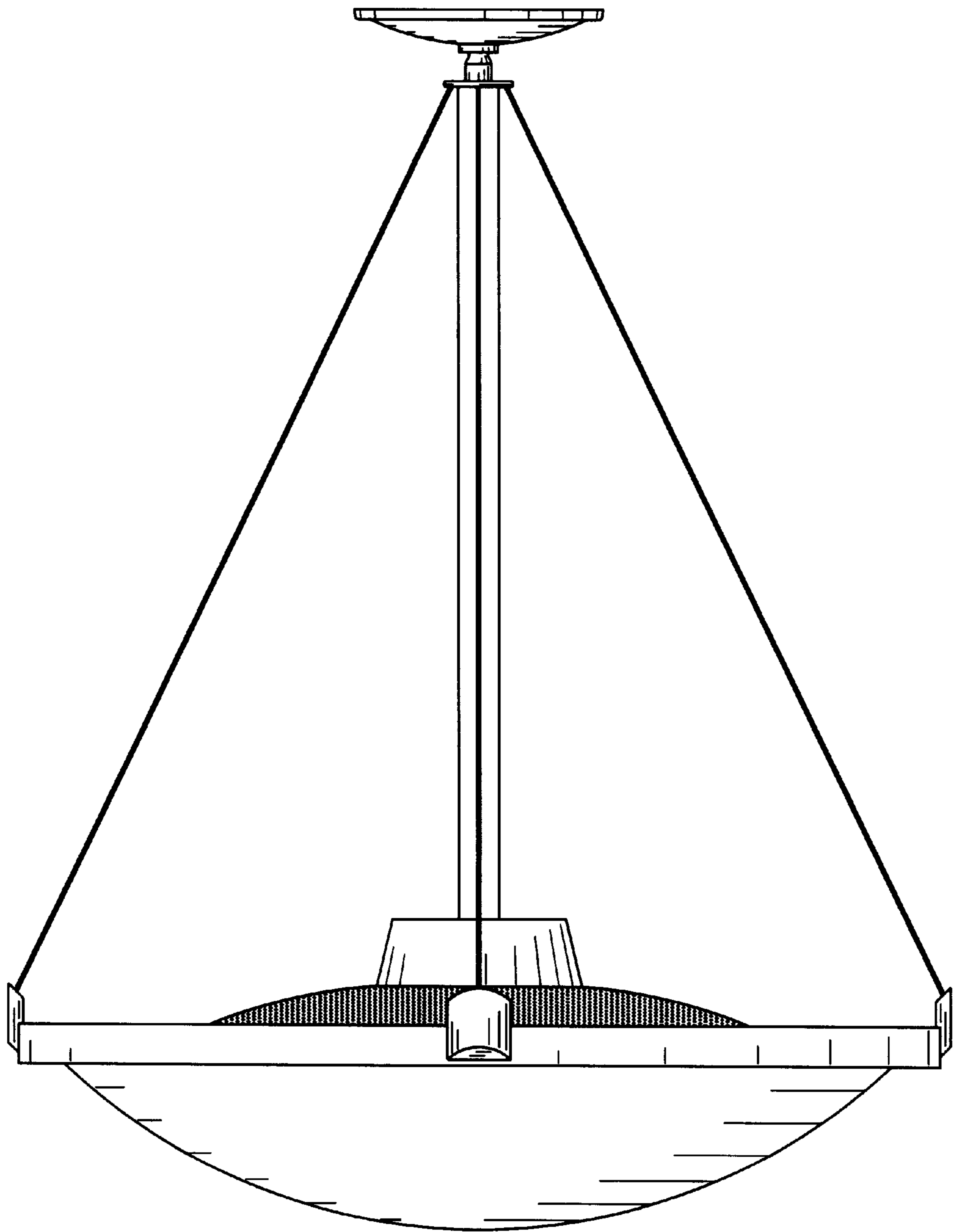


Fig. 2

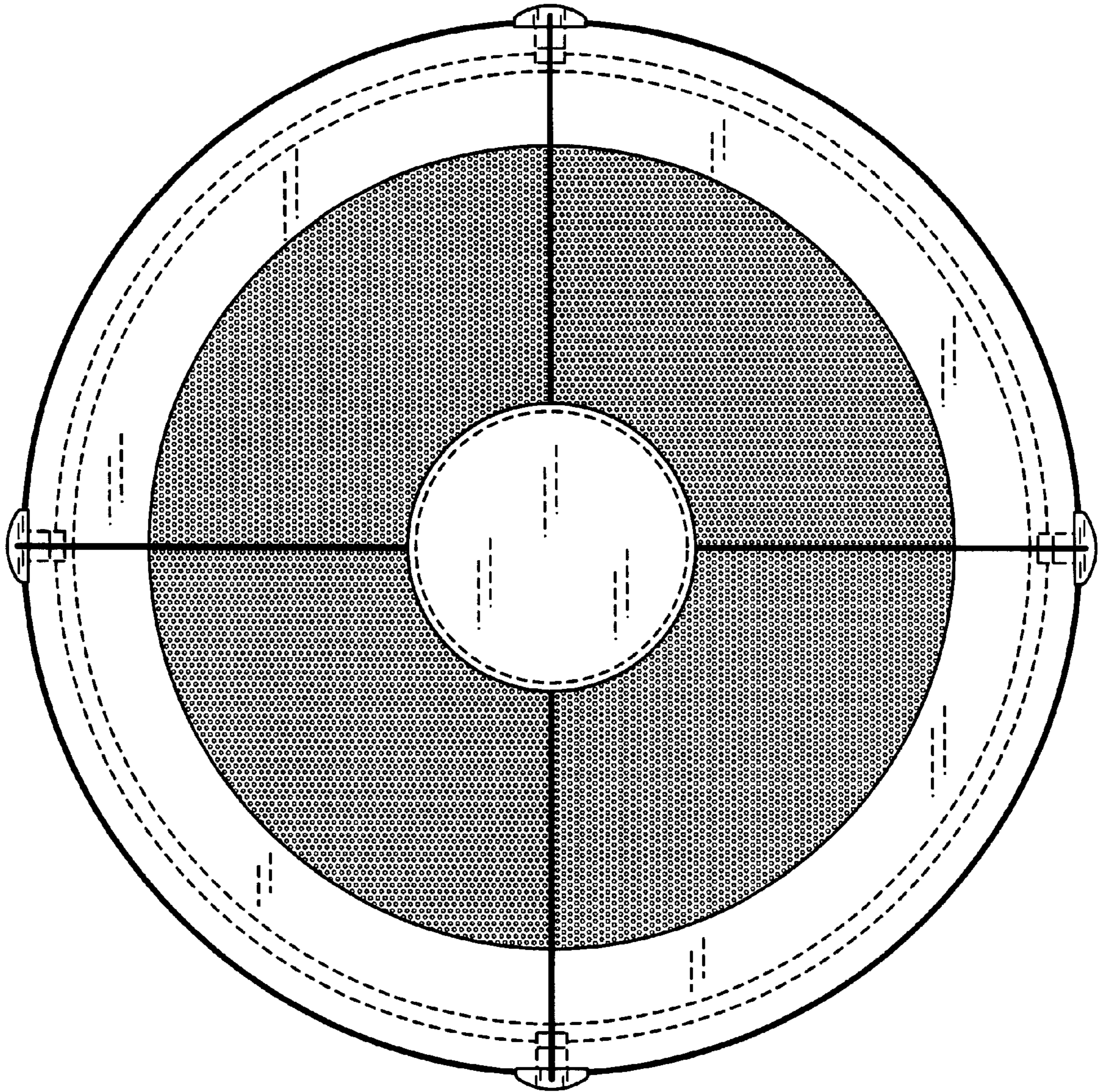


Fig. 3

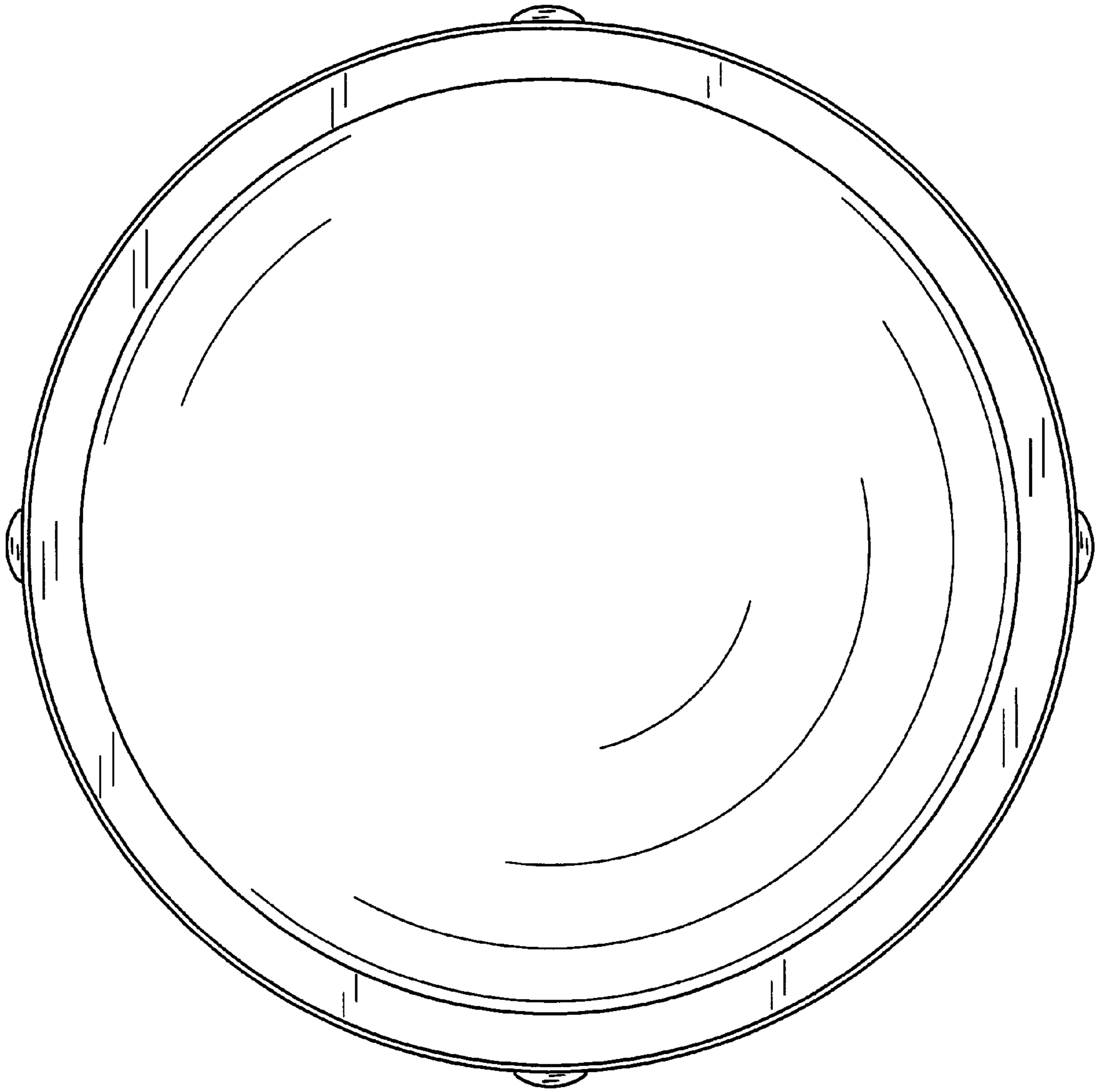


Fig. 4