



US00D441116S

(12) **United States Design Patent**
Sanoner

(10) **Patent No.:** **US D441,116 S**

(45) **Date of Patent:** **** Apr. 24, 2001**

(54) **OUTDOOR LIGHT**

(75) Inventor: **Hughes Marie Sanoner**, Discovery Bay (HK)

(73) Assignee: **Solar Wide Industrial Ltd.**, New Territories (HK)

(**) Term: **14 Years**

(21) Appl. No.: **29/126,881**

(22) Filed: **Jul. 27, 2000**

(30) **Foreign Application Priority Data**

Jun. 8, 2000 (GB) 2093337

(51) **LOC (7) Cl.** **26-05**

(52) **U.S. Cl.** **D26/68**

(58) **Field of Search** D26/67-71; 362/153, 362/153.1, 431, 270

(56) **References Cited**

U.S. PATENT DOCUMENTS

D. 211,278	*	6/1968	Bobrick	D26/68
D. 323,567	*	1/1992	Denison et al.	D26/68
D. 395,724	*	6/1998	Compton	D26/67
D. 425,645	*	5/2000	Giese et al.	D26/68
5,649,760	*	7/1997	Beadle	362/270

* cited by examiner

Primary Examiner—Alan P. Douglas

Assistant Examiner—Linda Brooks

(74) *Attorney, Agent, or Firm*—Leydig, Voit & Mayer, Ltd.

(57) **CLAIM**

The ornamental design for an outdoor light, as shown and described.

DESCRIPTION

FIG. 1 is a side perspective view of an outdoor light showing my new design;

FIG. 2 is a front elevational view thereof;

FIG. 3 is a rear elevational view thereof;

FIG. 4 is a right side elevational view thereof;

FIG. 5 is a left side elevational view thereof;

FIG. 6 is a top end elevational view thereof;

FIG. 7 is a bottom end elevational view thereof;

FIG. 8 is an enlarged side perspective view of a top part thereof;

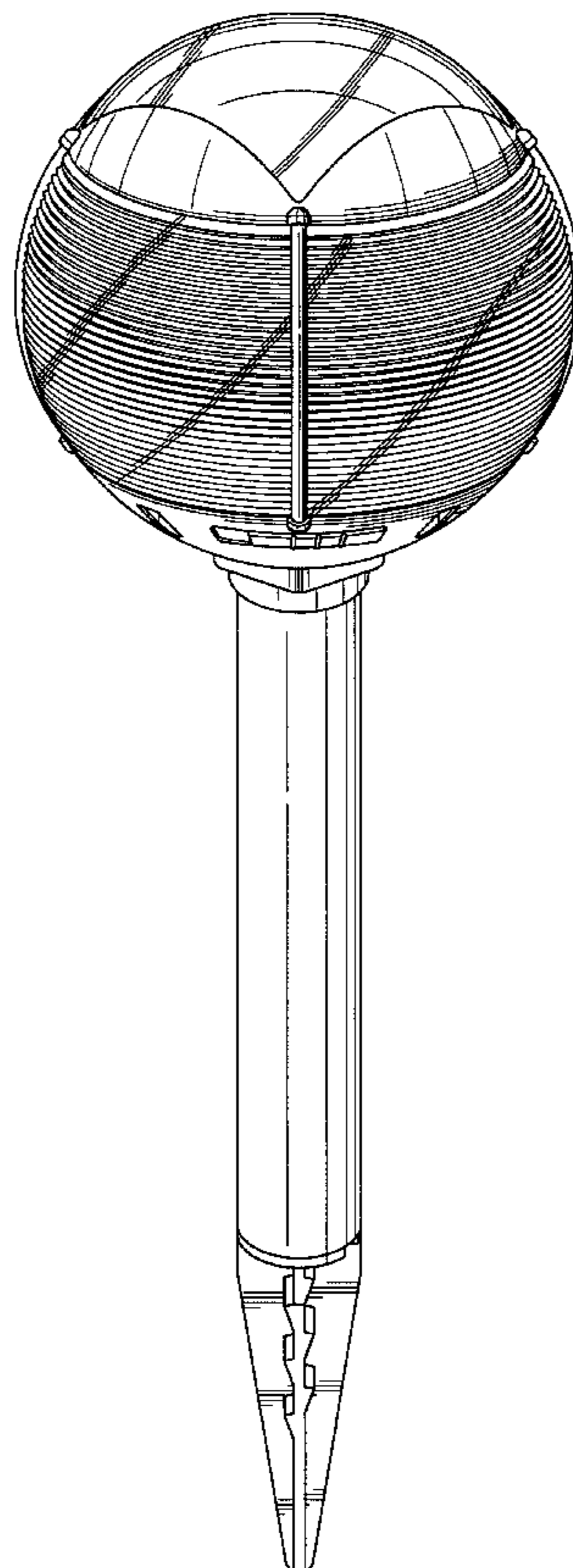
FIG. 9 is an enlarged front and right side elevational view of the top part;

FIG. 10 is an enlarged front and left side elevational view of the top part; and,

FIG. 11 is an enlarged bottom plan view of the top part.

The top part is shown separately in FIGS. 8-11 for clarity of illustration.

1 Claim, 6 Drawing Sheets



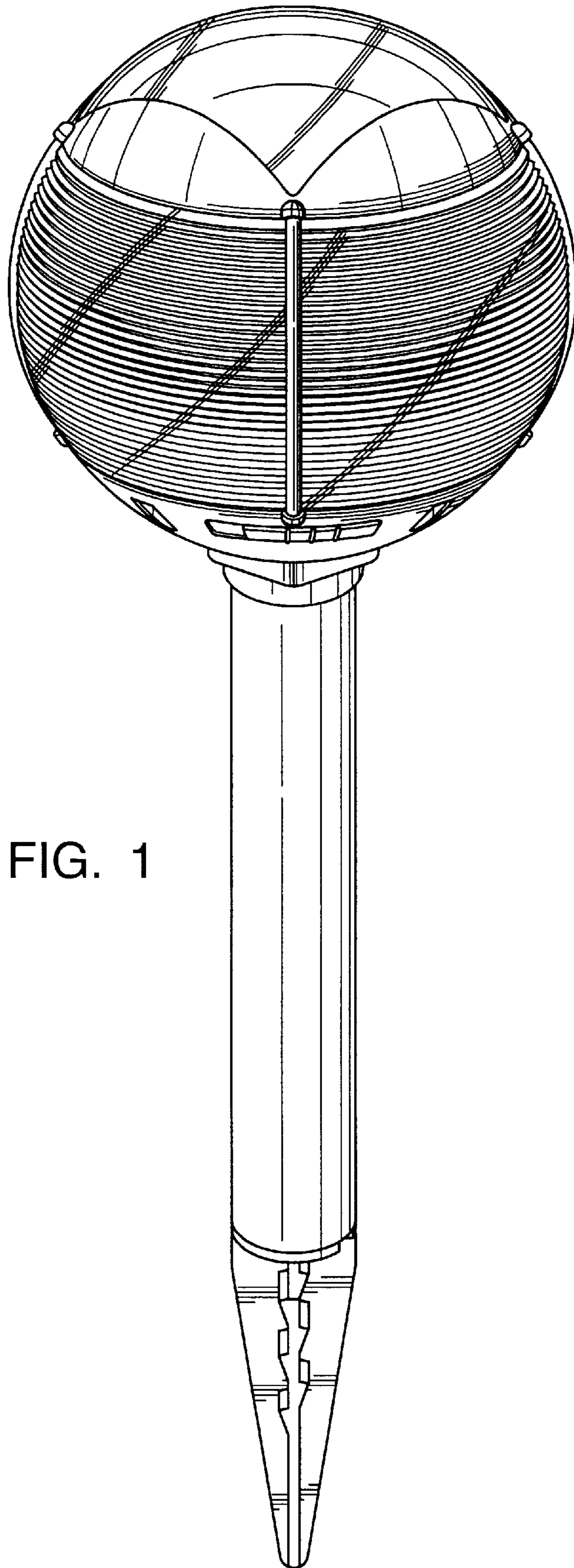


FIG. 1

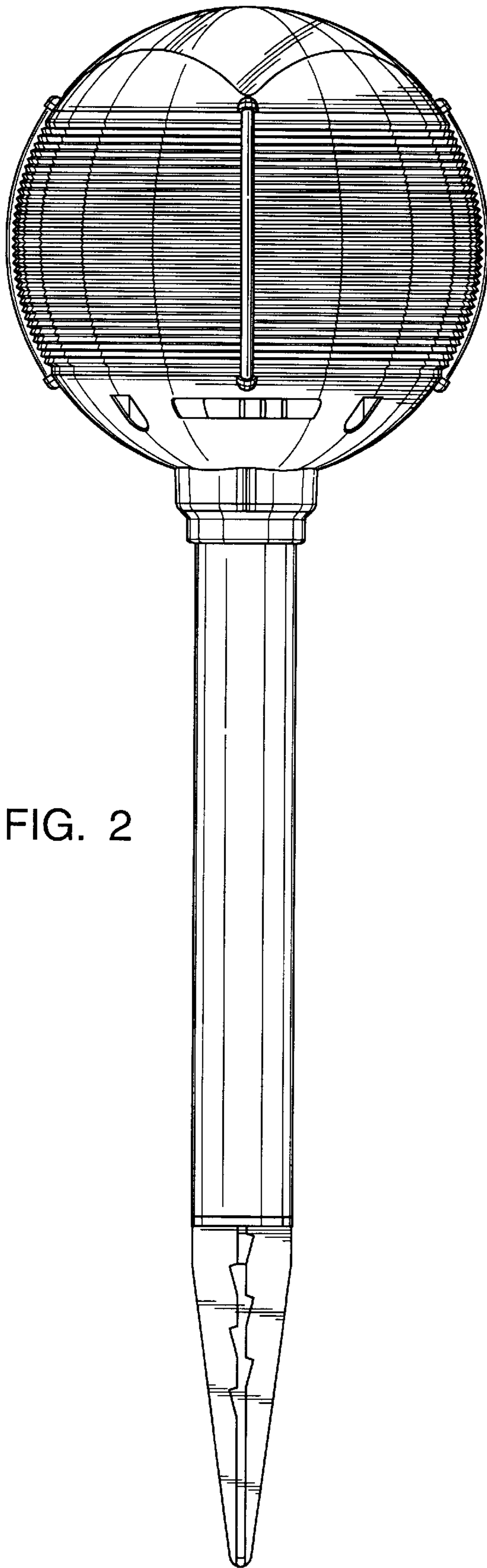


FIG. 2

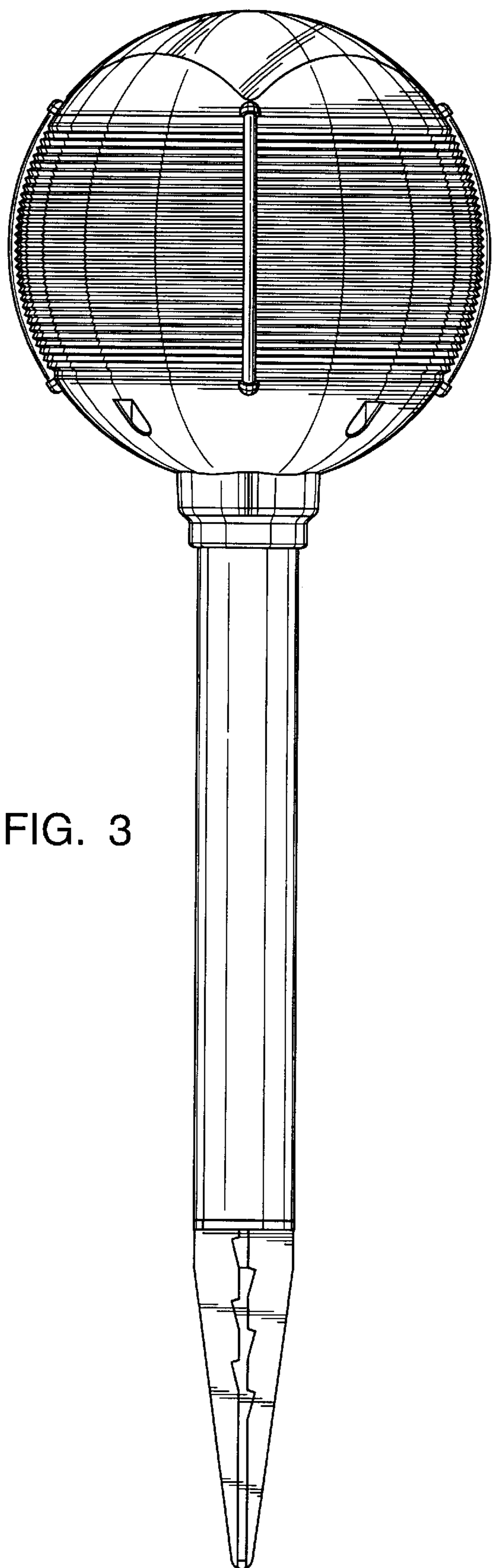
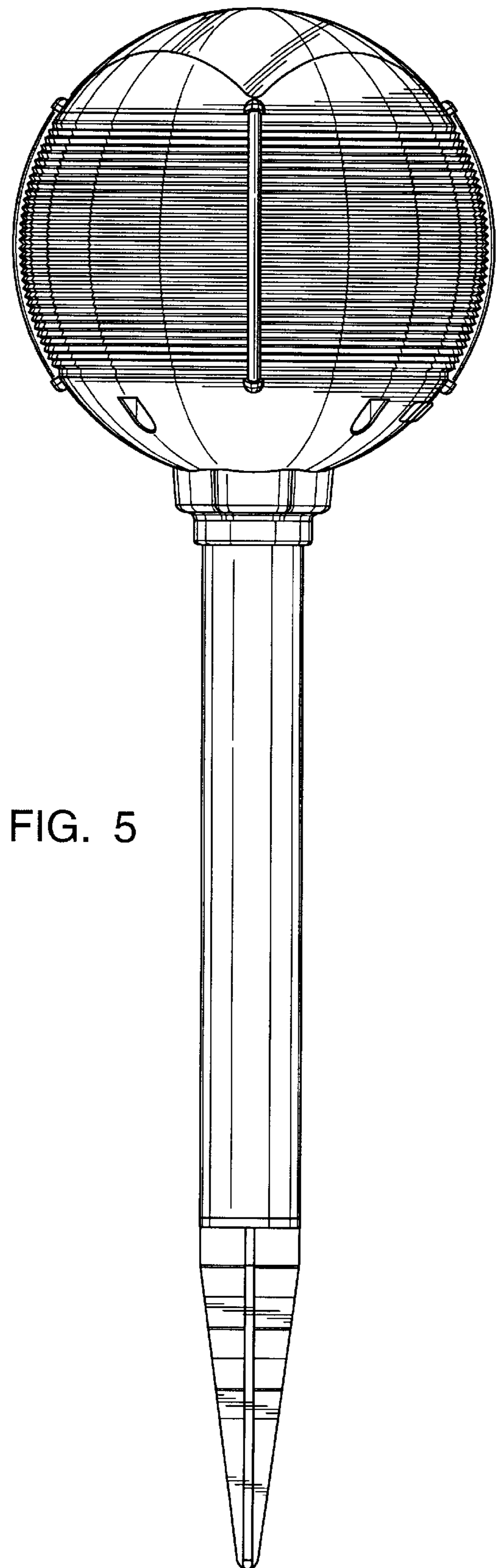
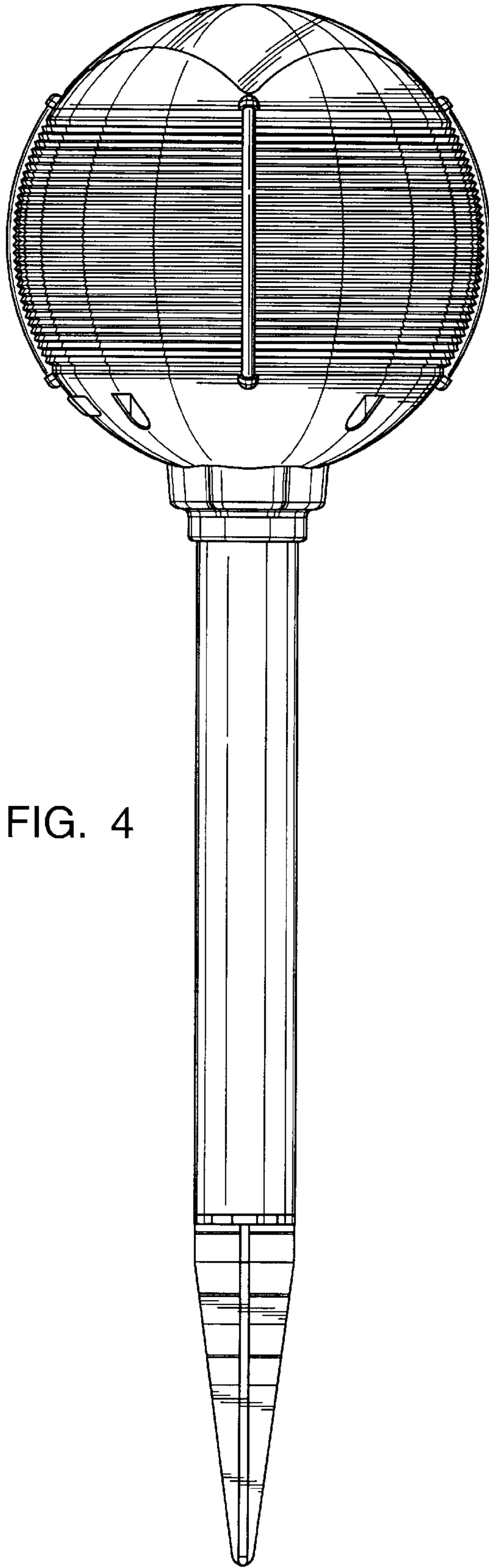


FIG. 3



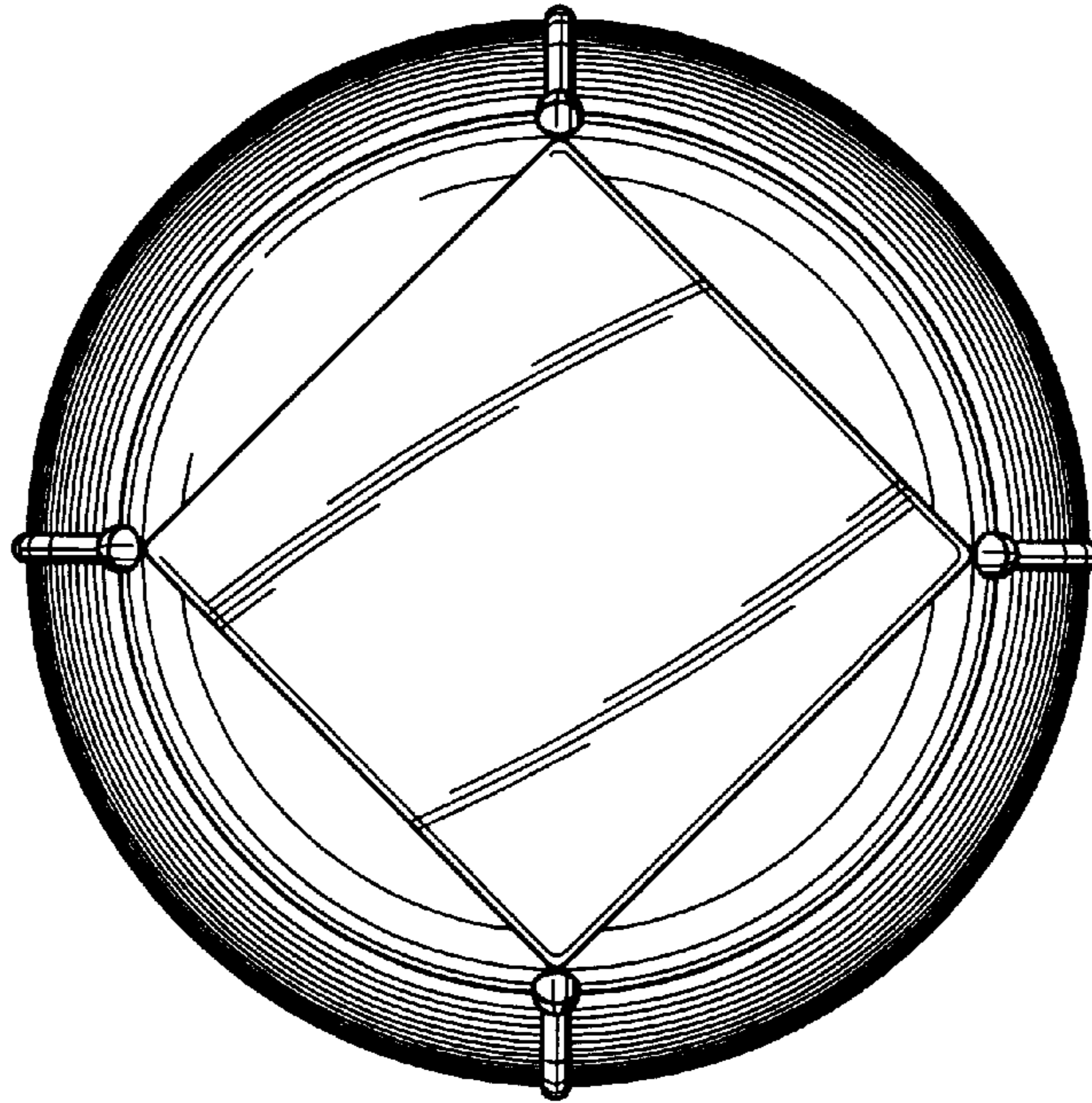


FIG. 6

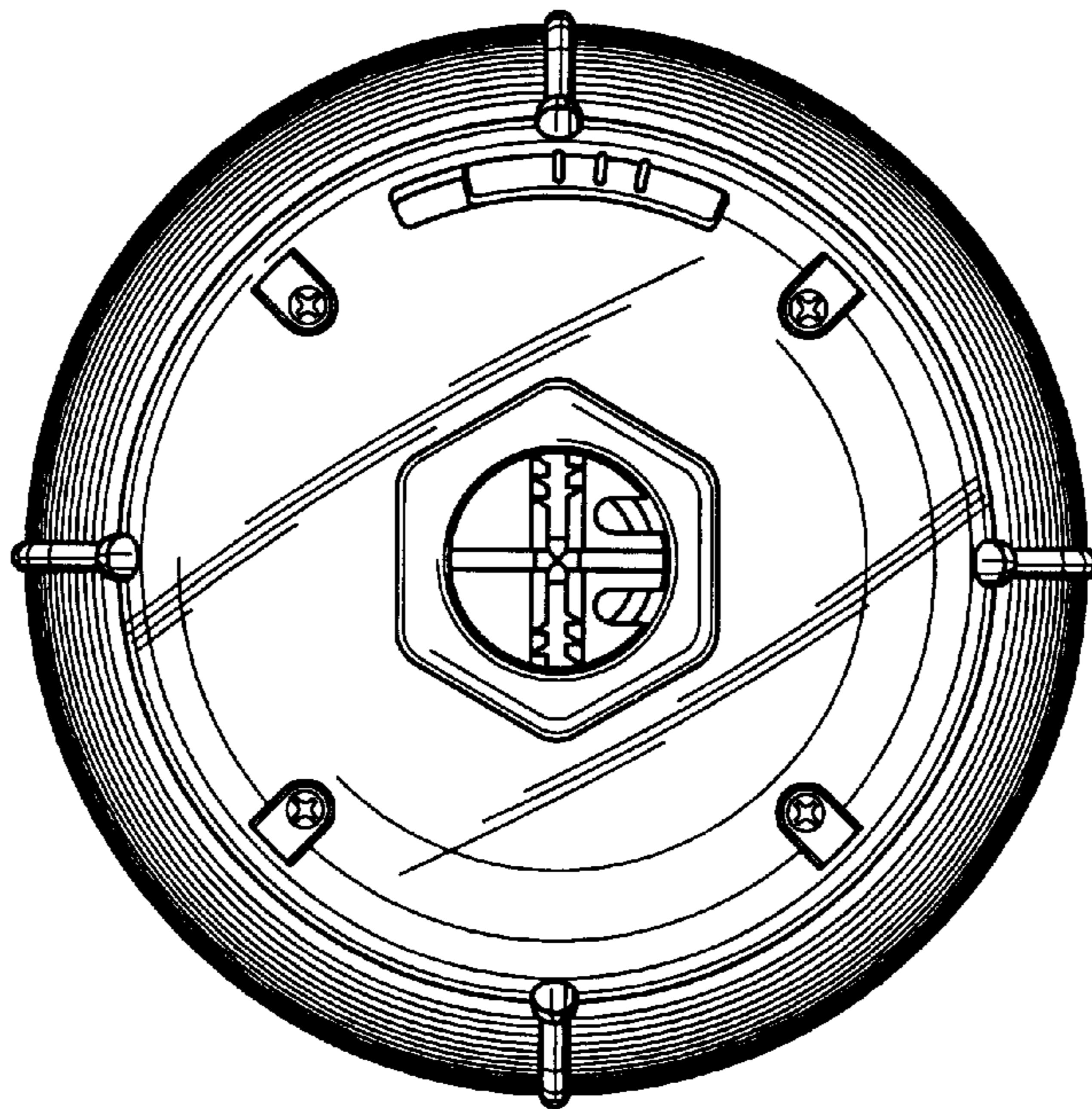


FIG. 7

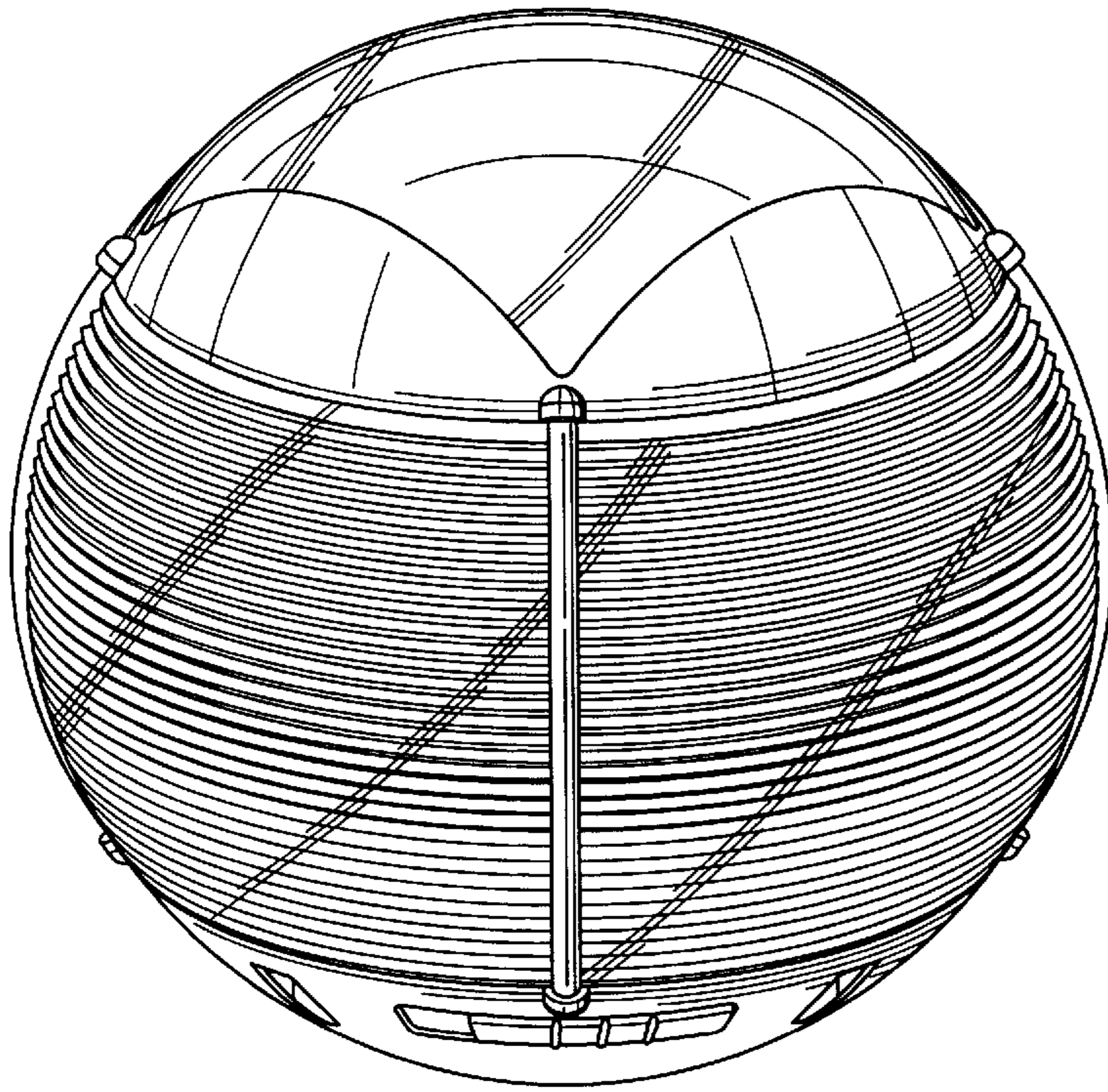


FIG. 8

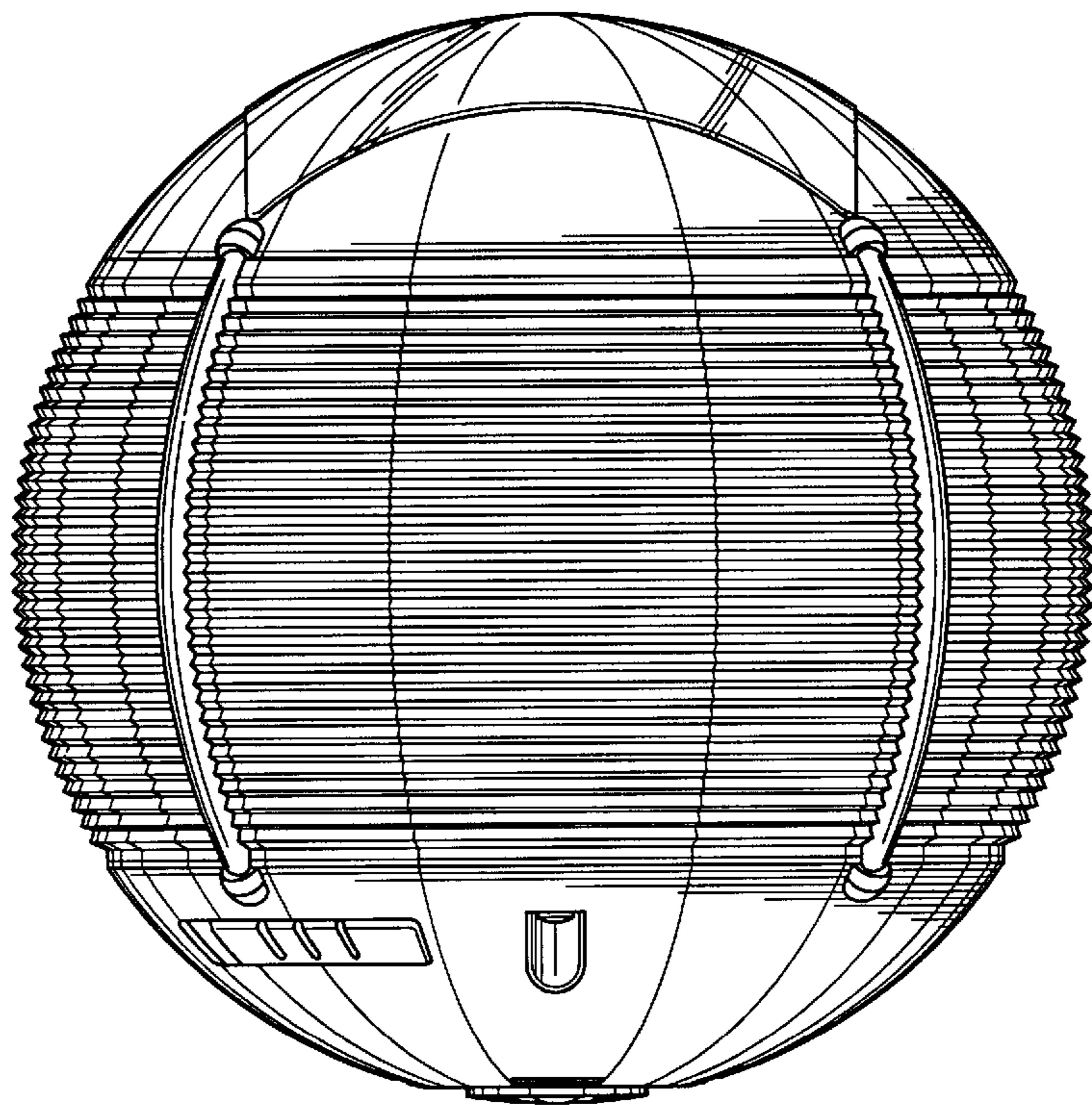


FIG. 9

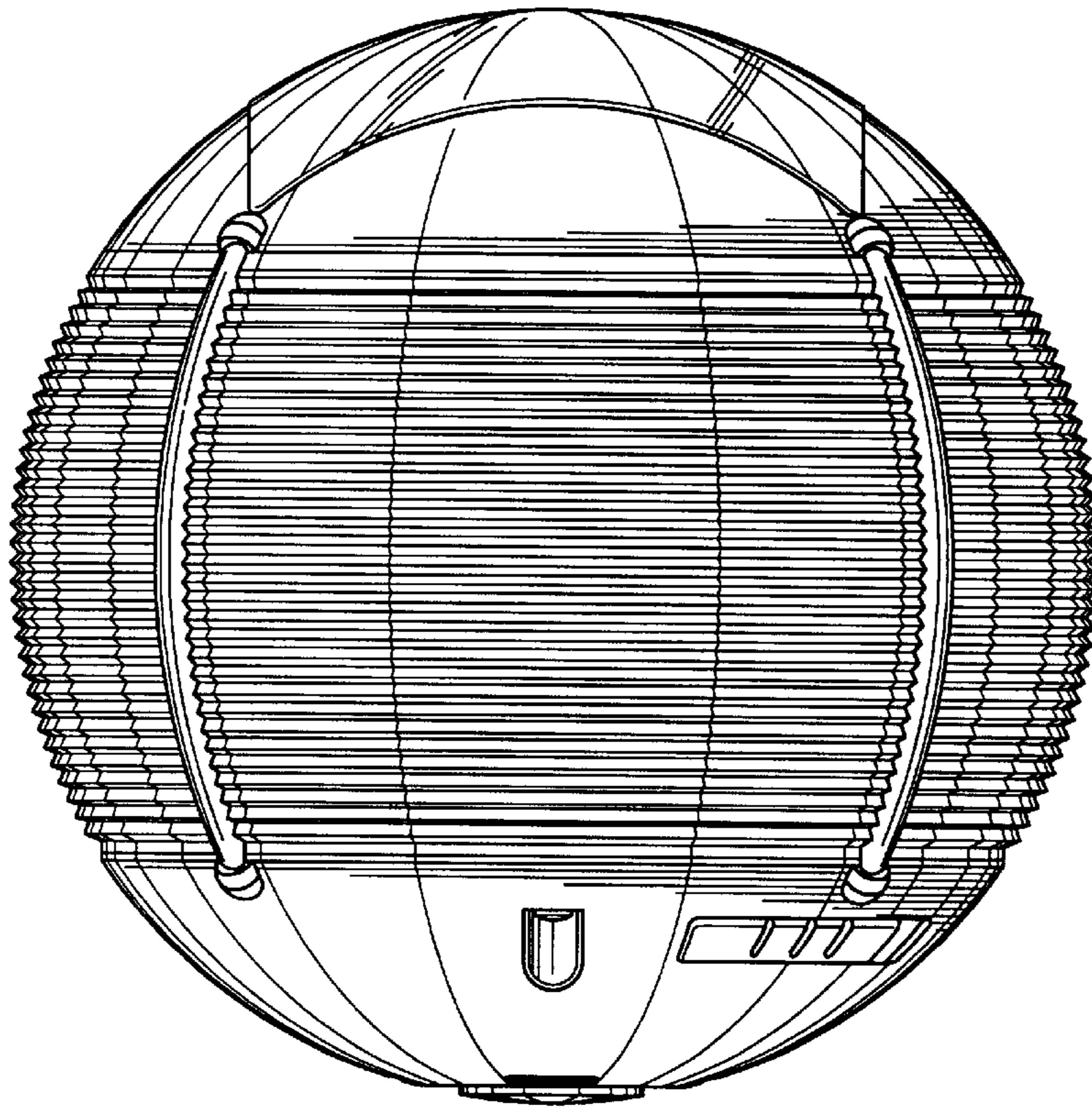


FIG. 10

FIG. 11

