



US00D441115S

(12) **United States Design Patent**  
**Ewing**

(10) **Patent No.:** **US D441,115 S**

(45) **Date of Patent:** **\*\* Apr. 24, 2001**

(54) **POST-TOP LUMINAIRE HOUSING**

*Primary Examiner*—Lisa Lichtenstein

(75) Inventor: **Robert Lowell Ewing**, Newark, OH  
(US)

(57) **CLAIM**

The ornamental design for a post-top luminaire housing, as shown and described.

(73) Assignee: **NSI Enterprises, Inc.**, Newark, OH  
(US)

**DESCRIPTION**

(\*\*) Term: **14 Years**

FIG. 1 is a front perspective view of a first embodiment of my invention;

(21) Appl. No.: **29/123,785**

FIG. 2 is a front elevation view of the invention of FIG. 1;

(22) Filed: **May 25, 2000**

FIG. 3 is a rear elevation view of the invention of FIG. 1;

(51) **LOC (7) Cl.** ..... **26-05**

FIG. 4 is a top plan view of the invention of FIG. 1;

(52) **U.S. Cl.** ..... **D26/68**

FIG. 5 is a bottom plan view of the invention of FIG. 1;

(58) **Field of Search** ..... D26/67-70; 362/147,  
362/431

FIG. 6 is a front perspective view of a second embodiment of my invention

(56) **References Cited**

FIG. 7 is a front elevation view of the invention of FIG. 6;

**U.S. PATENT DOCUMENTS**

D. 348,745 \* 7/1994 Ewing et al. .... D26/67

FIG. 8 is a rear elevation view of the invention of FIG. 6;

D. 370,288 \* 5/1996 Tognu ..... D26/67

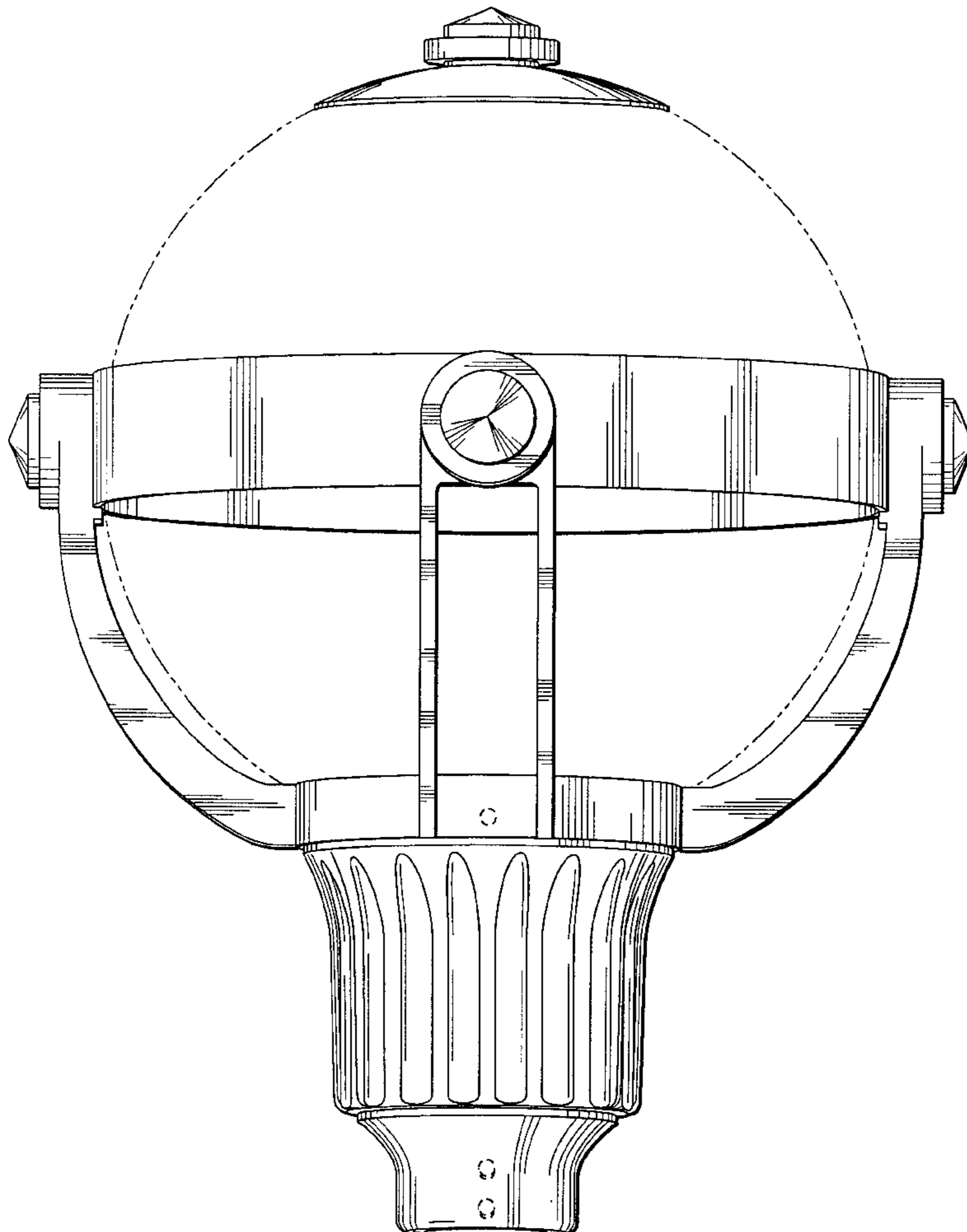
FIG. 9 is a top plan view of the invention of FIG. 6; and,

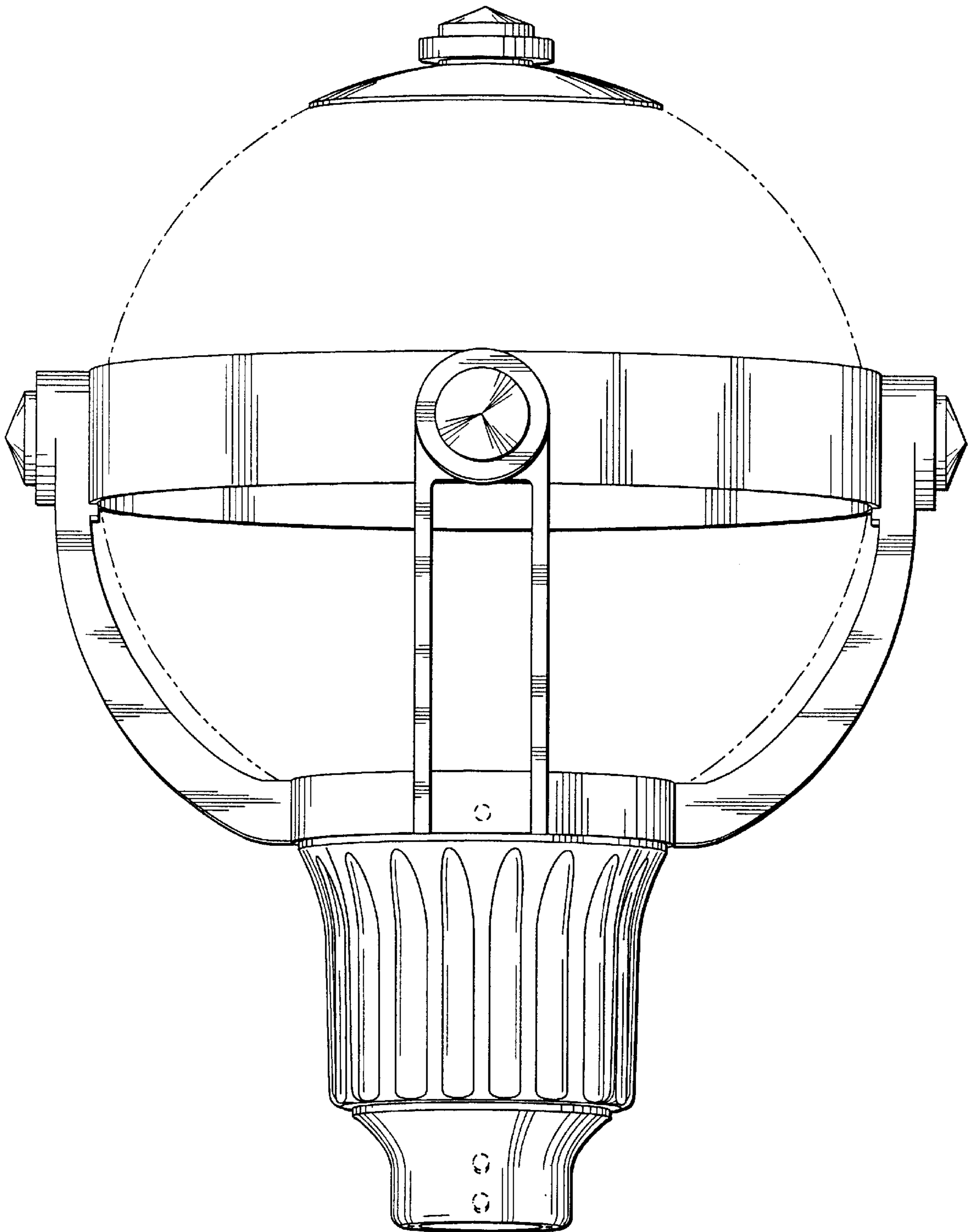
FIG. 10 is a bottom plan view of the invention of FIG. 6.

The broken line showing of environmental structure in FIGS. 1-10 is for illustrative purposes only and forms no part of the claimed design.

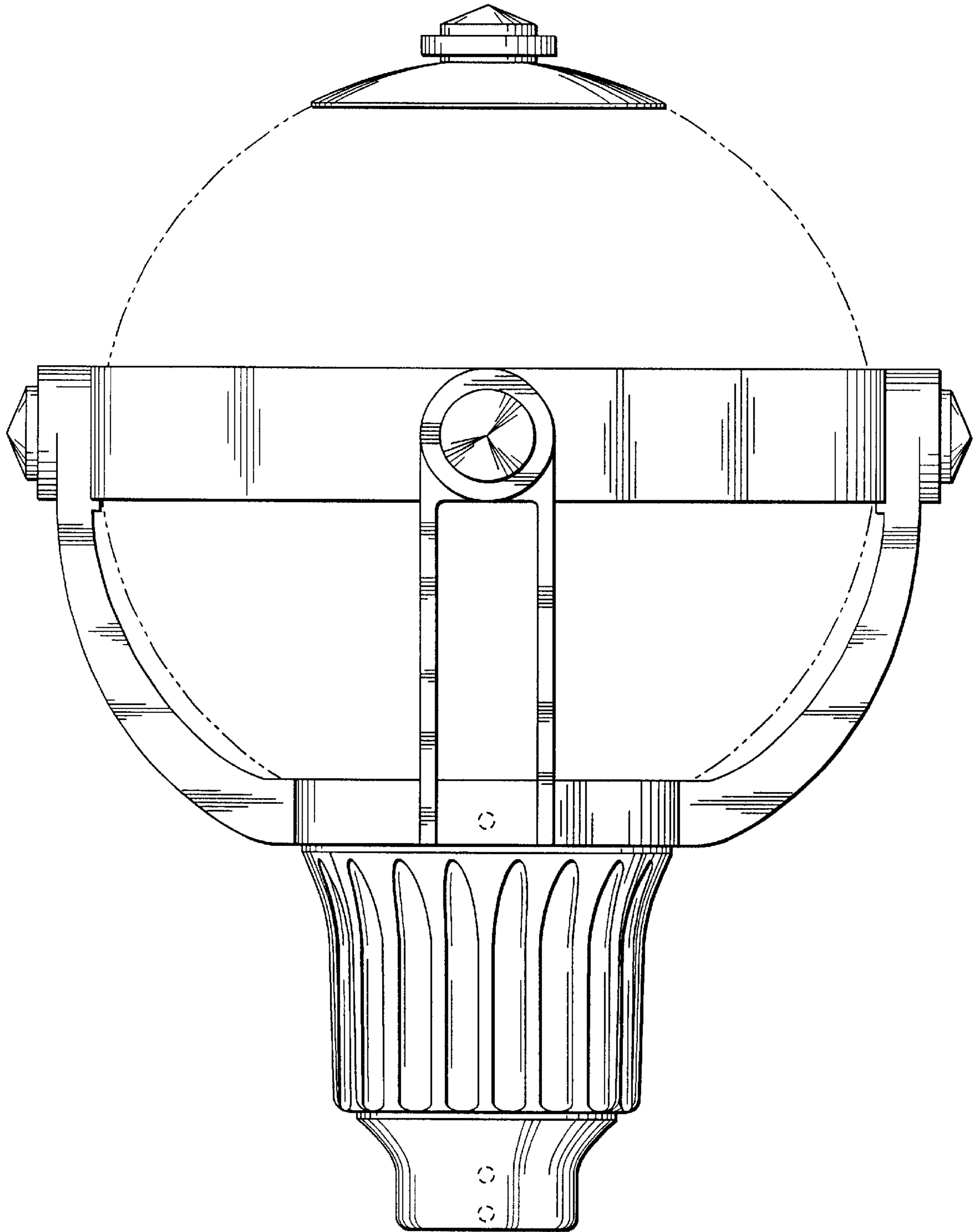
\* cited by examiner

**1 Claim, 10 Drawing Sheets**

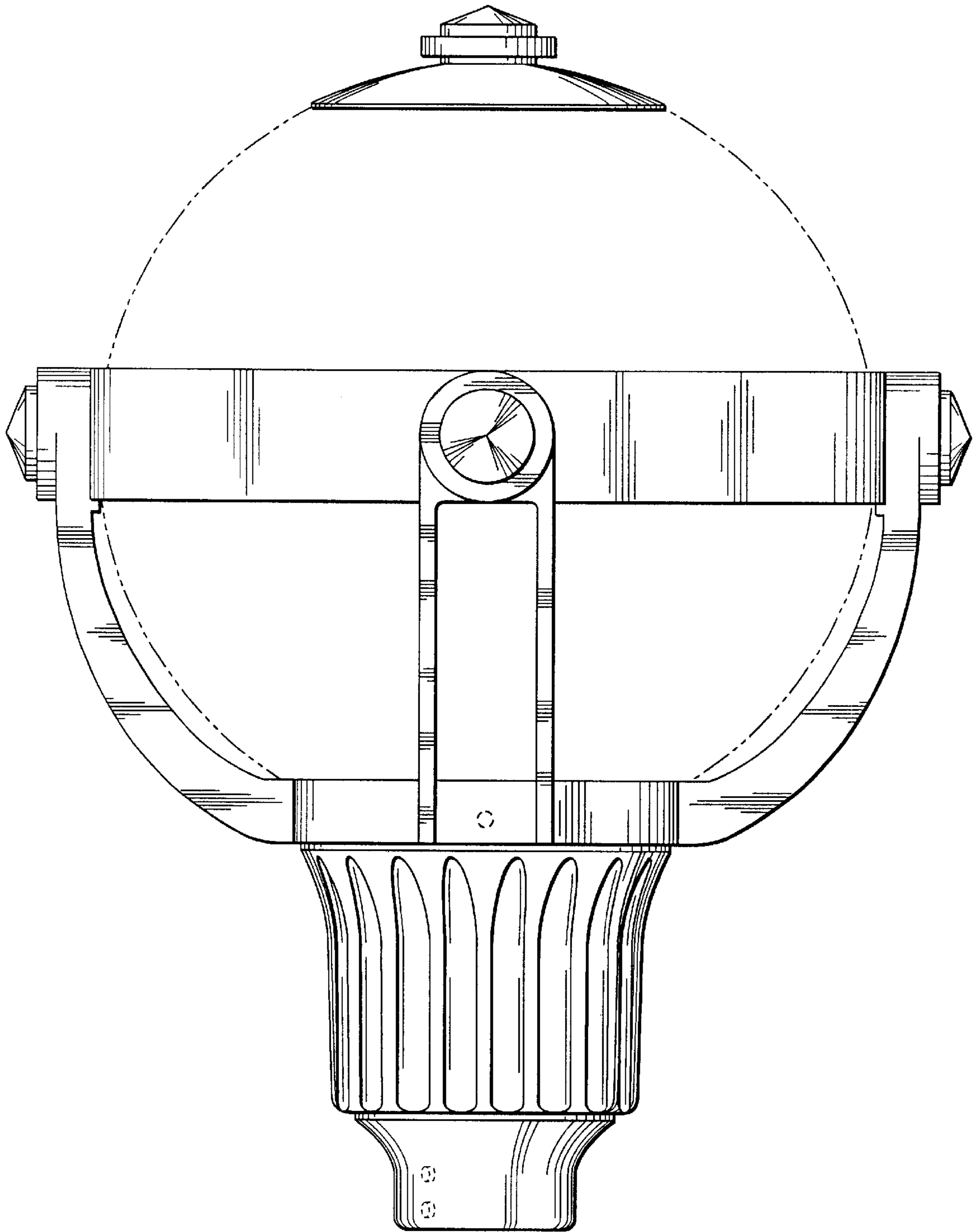




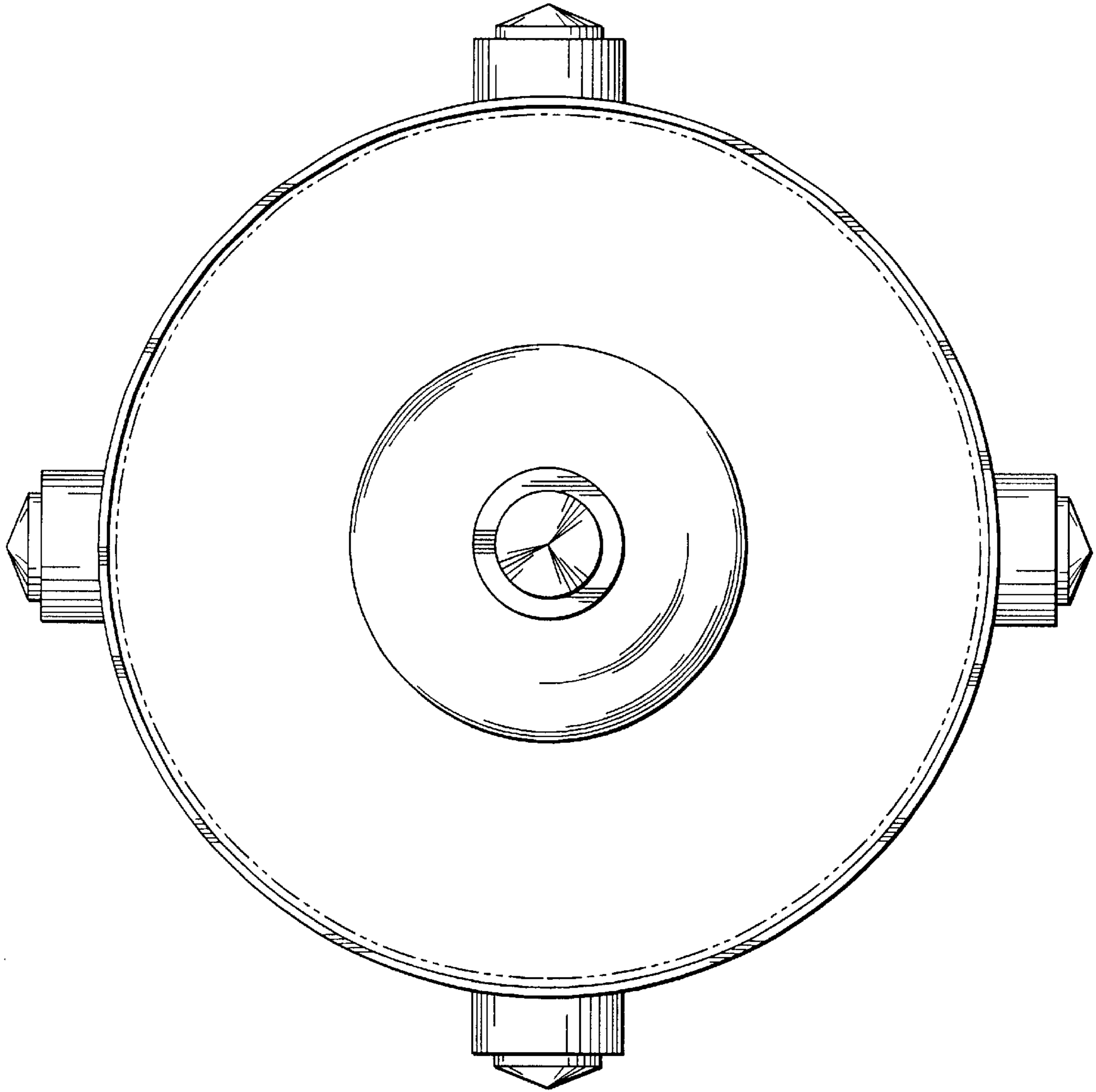
*Fig. 1*



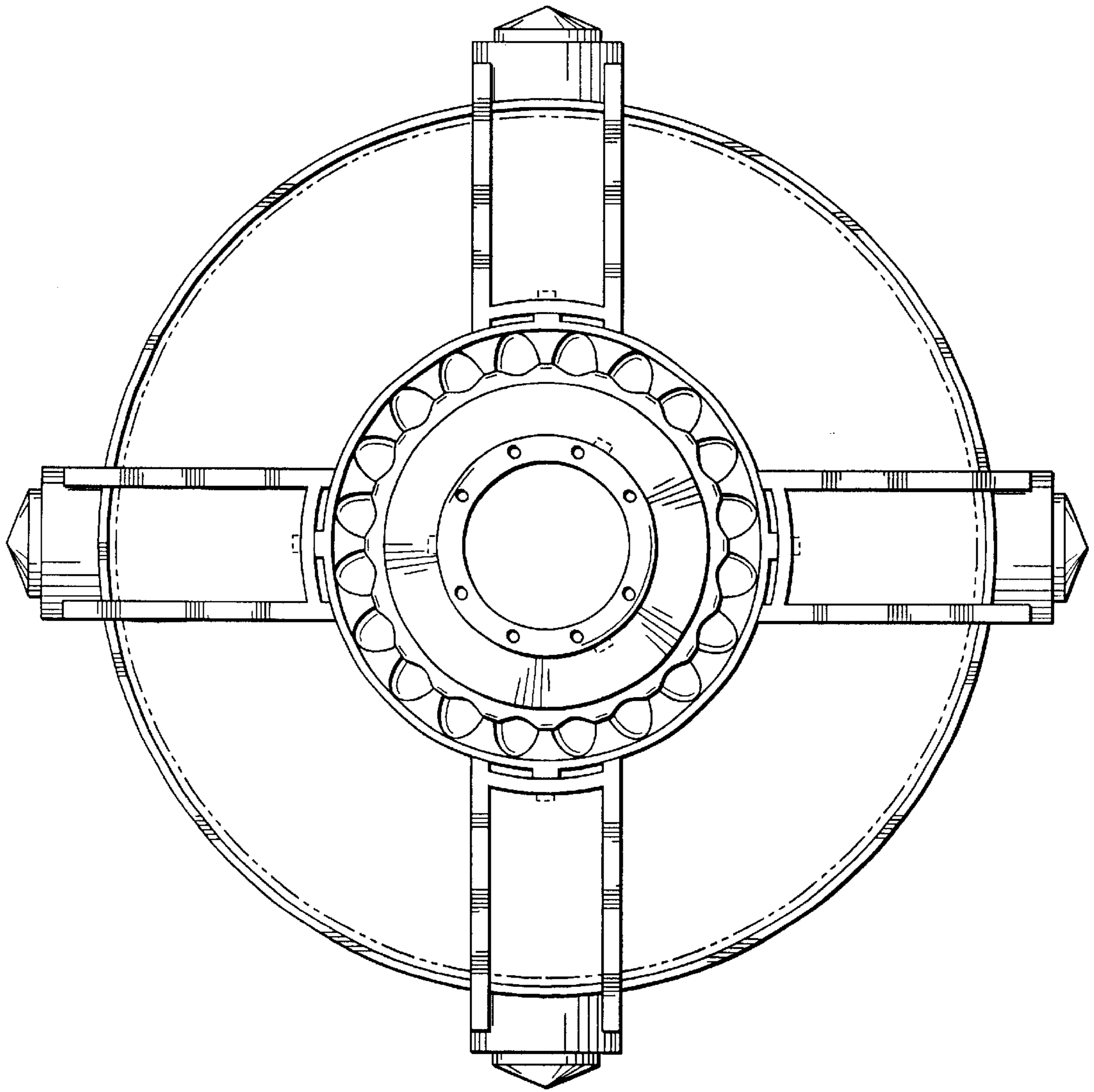
*Fig. 2*



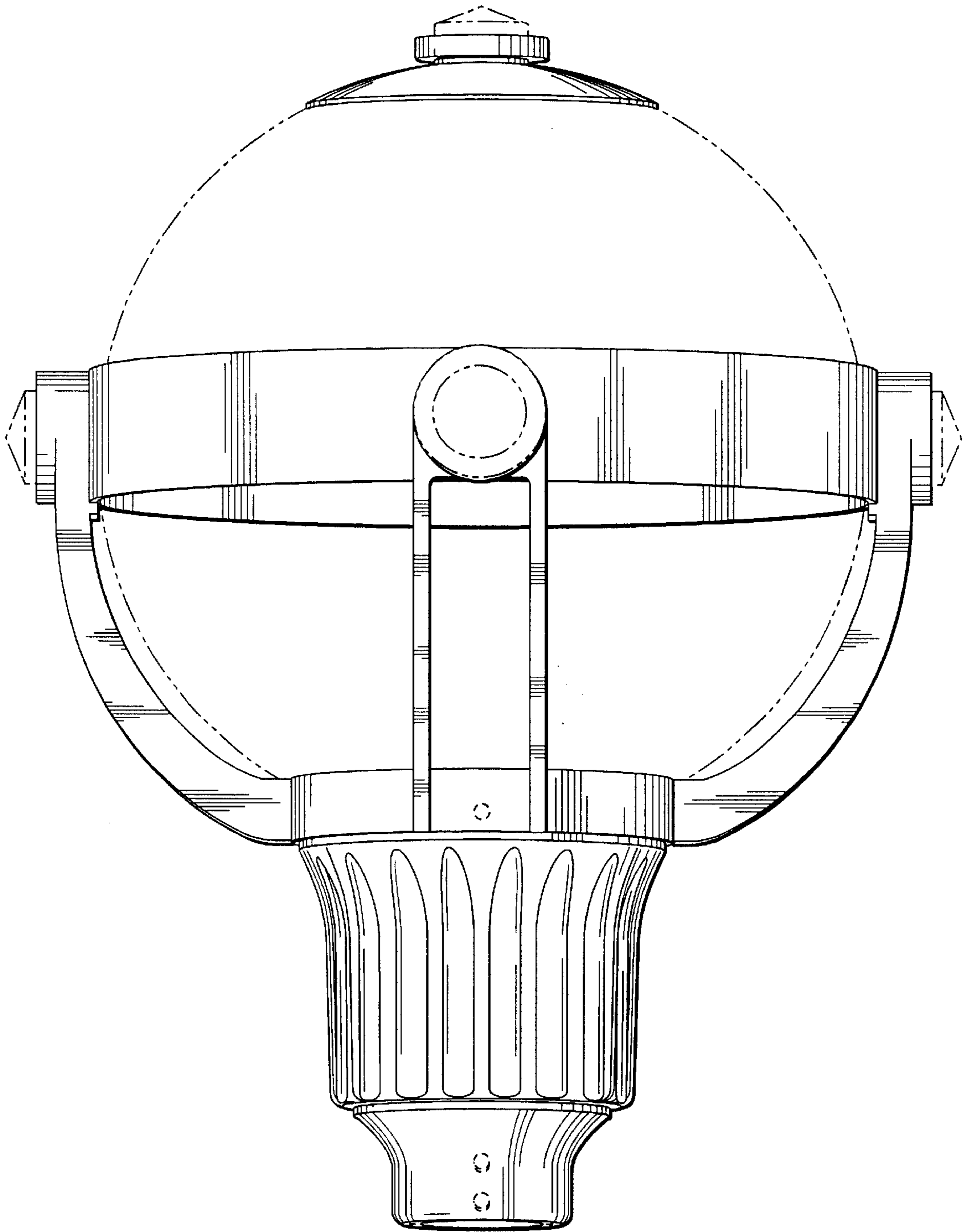
*Fig. 3*



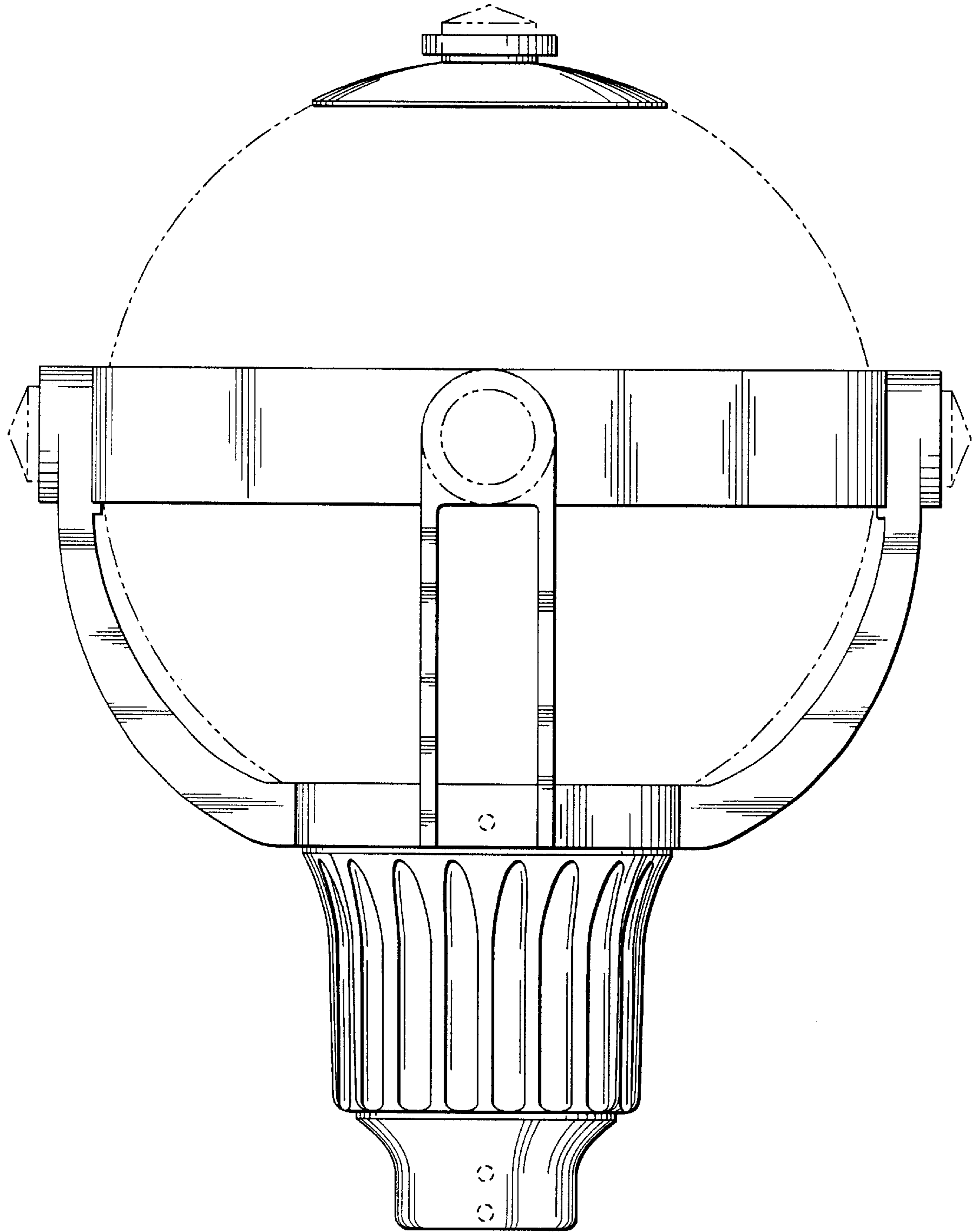
*Fig. 4*



*Fig. 5*

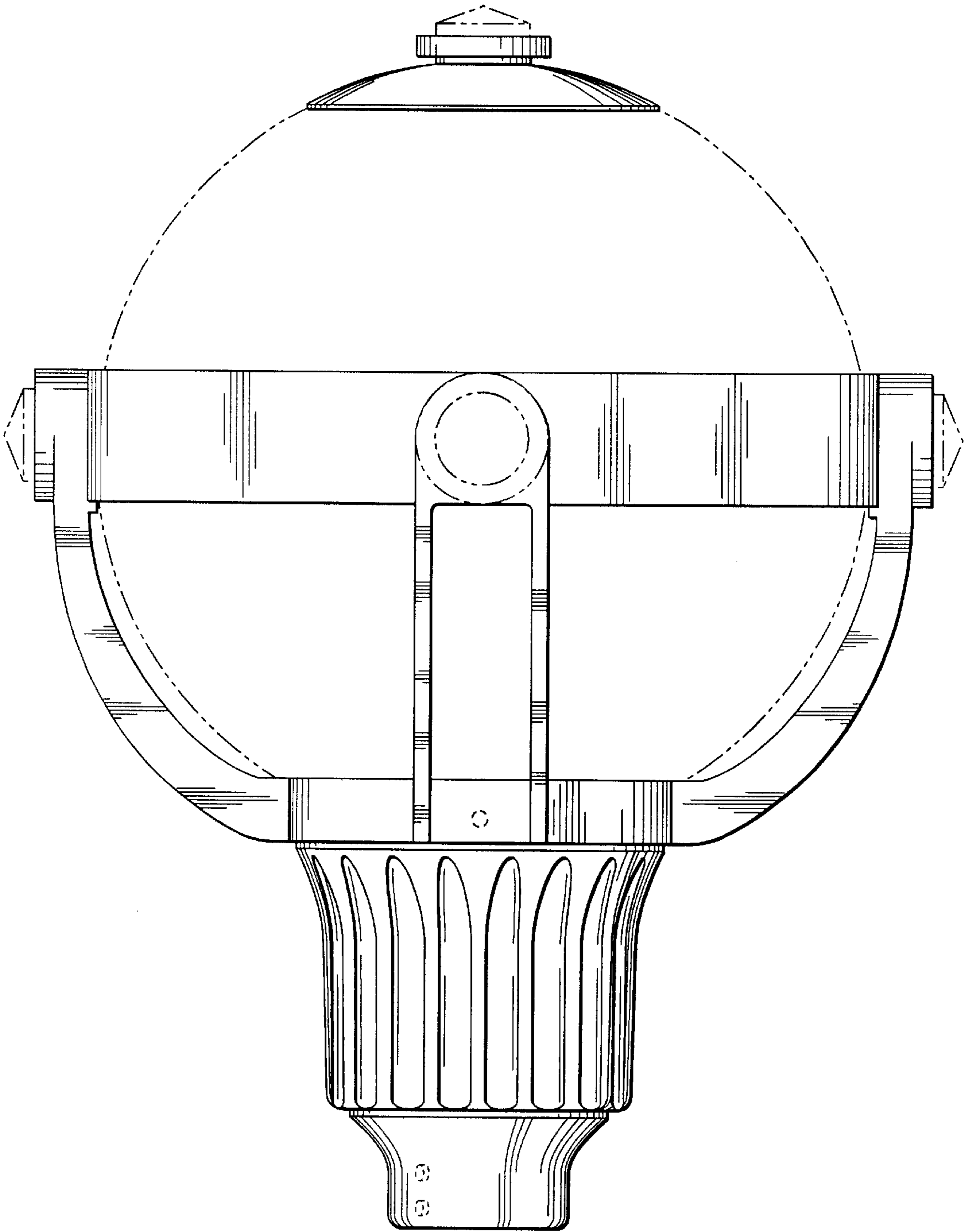


*Fig. 6*

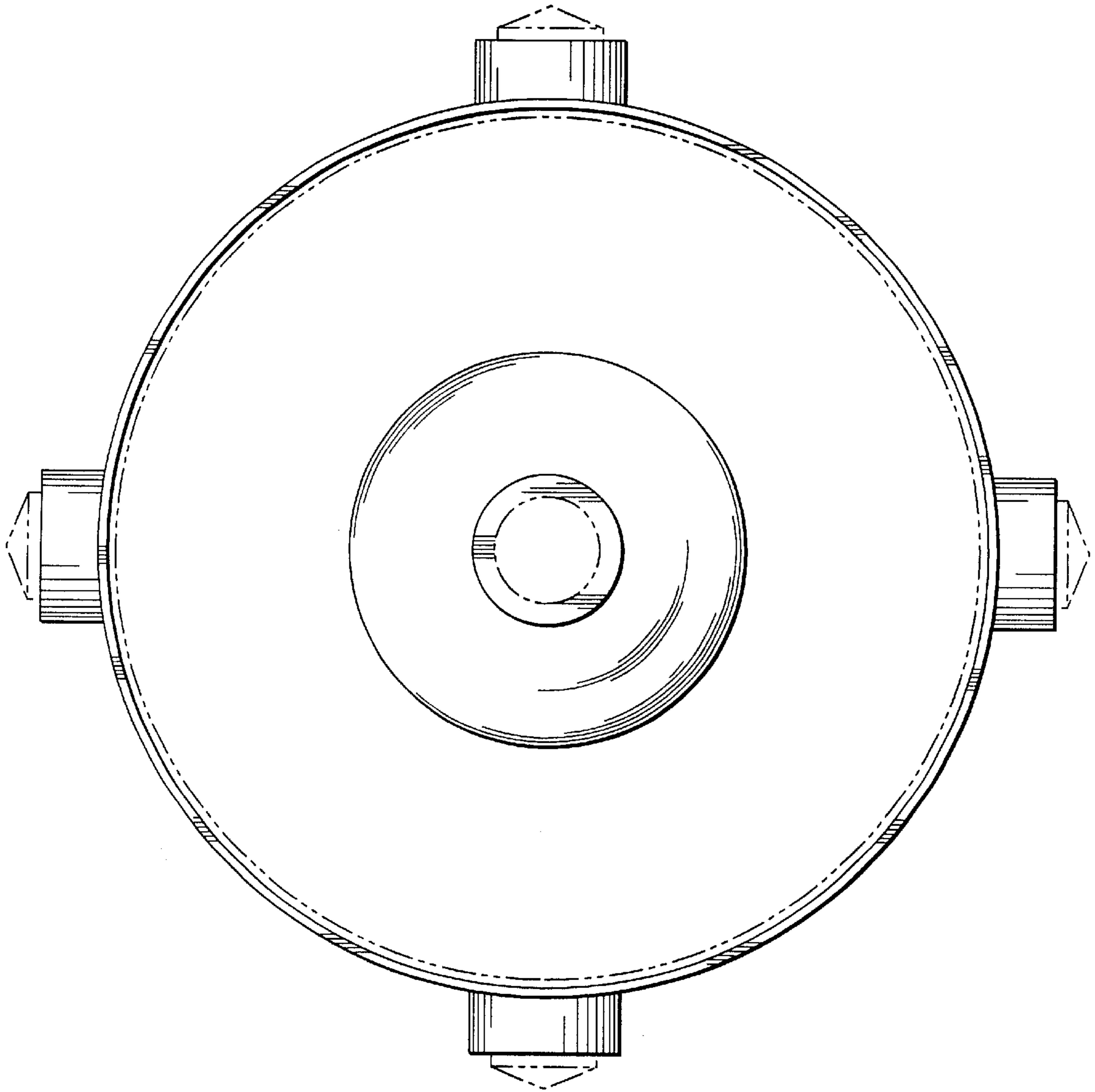


*Fig. 7*

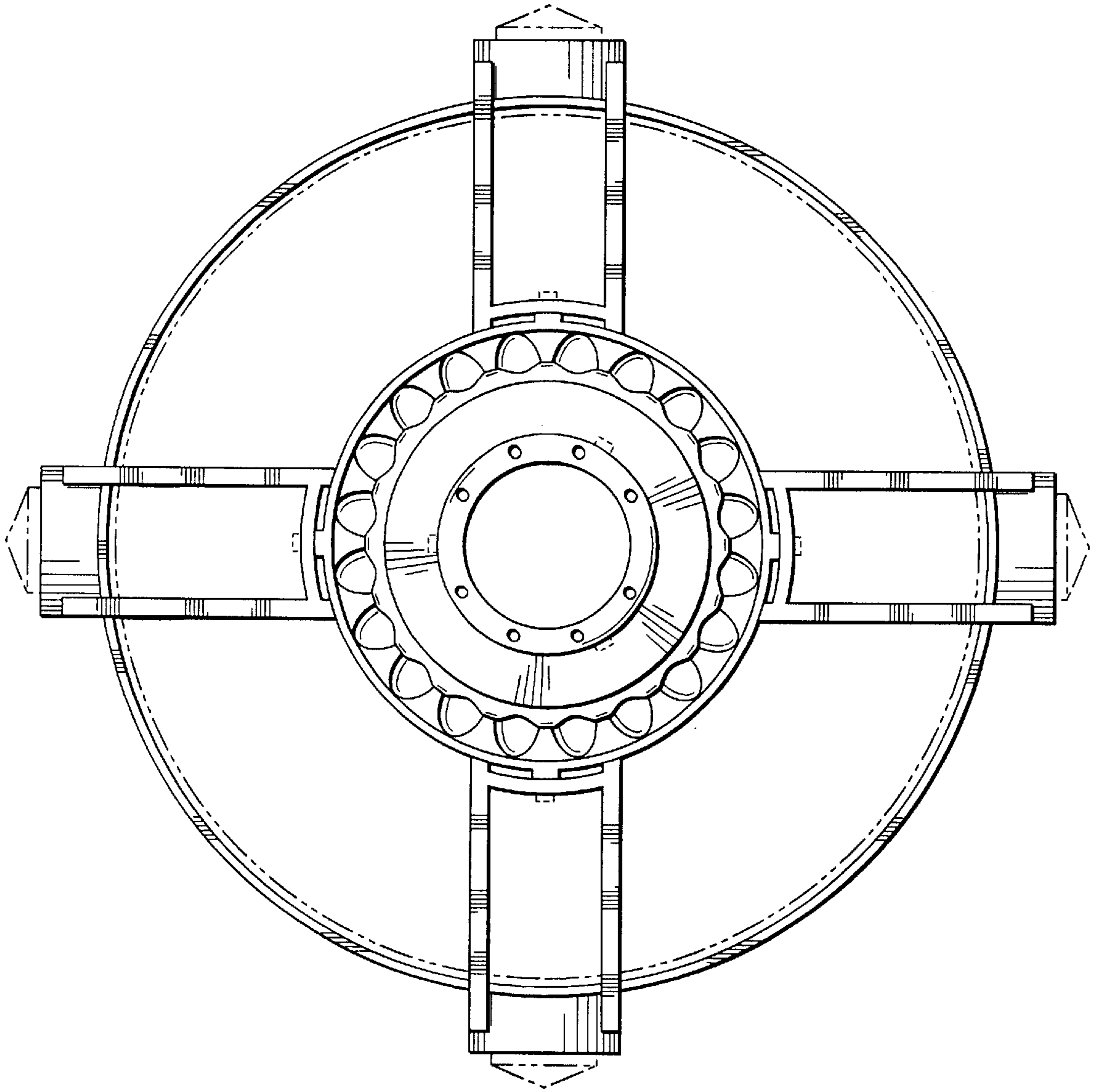




*Fig. 8*



*Fig. 9*



*Fig. 10*