



US00D441114S

(12) **United States Design Patent**
Chen

(10) **Patent No.:** **US D441,114 S**

(45) **Date of Patent:** **** Apr. 24, 2001**

(54) **DESK LAMP**

(76) Inventor: **Frank Chen**, No.15-1, Fen Liao Road,
Lin Kou Hsiang, Taipei Hsien (TW)

(*) Notice: This patent is subject to a terminal dis-
claimer.

(**) Term: **14 Years**

(21) Appl. No.: **29/119,634**

(22) Filed: **Mar. 2, 2000**

(51) **LOC (7) Cl.** **26-05**

(52) **U.S. Cl.** **D26/63**

(58) **Field of Search** D26/60-66, 102,
D26/106, 107, 108, 109; 362/410-414,
269, 271, 272, 275, 281, 282, 285, 287,
418, 419, 427

(56) **References Cited**

U.S. PATENT DOCUMENTS

D. 417,924 * 12/1999 Chen D26/65
5,590,957 * 1/1997 Chen 362/419

OTHER PUBLICATIONS

Taiwan Lighting, Feb. 1998, p. 105, desk lamp #ST-550U.*

* cited by examiner

Primary Examiner—Susan J. Lucas

(74) *Attorney, Agent, or Firm*—Rosenberg, Klein & Lee

(57) **CLAIM**

The ornamental design for a “desk lamp”, as shown and described.

DESCRIPTION

FIG. 1 is the perspective view of a “desk lamp” showing my new design;

FIG. 2 is the front view thereof;

FIG. 3 is the rear view thereof;

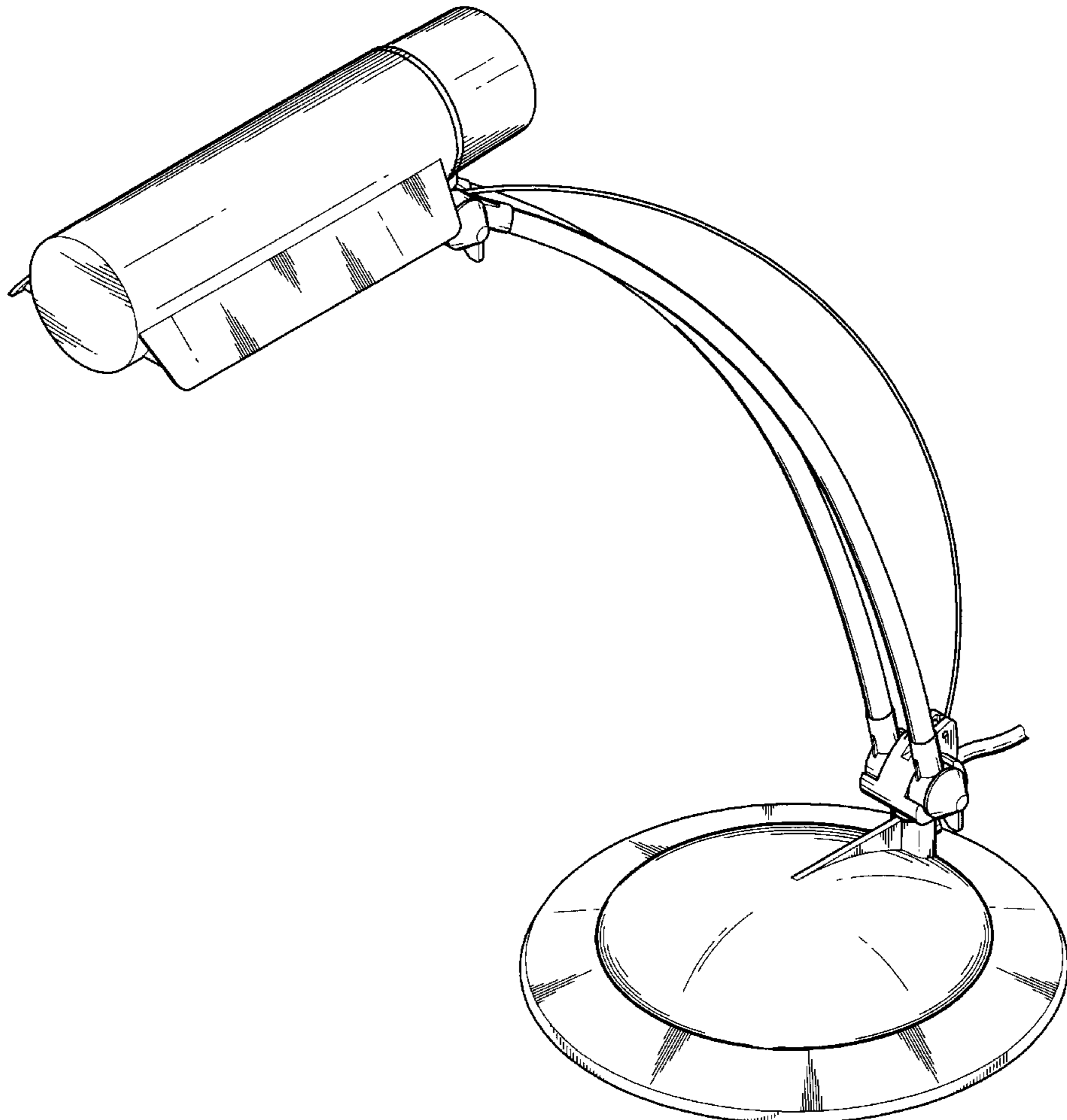
FIG. 4 is the left side view thereof;

FIG. 5 is the right side view thereof; and

FIG. 6 is the top view thereof; and,

FIG. 7 is the bottom view thereof.

1 Claim, 5 Drawing Sheets



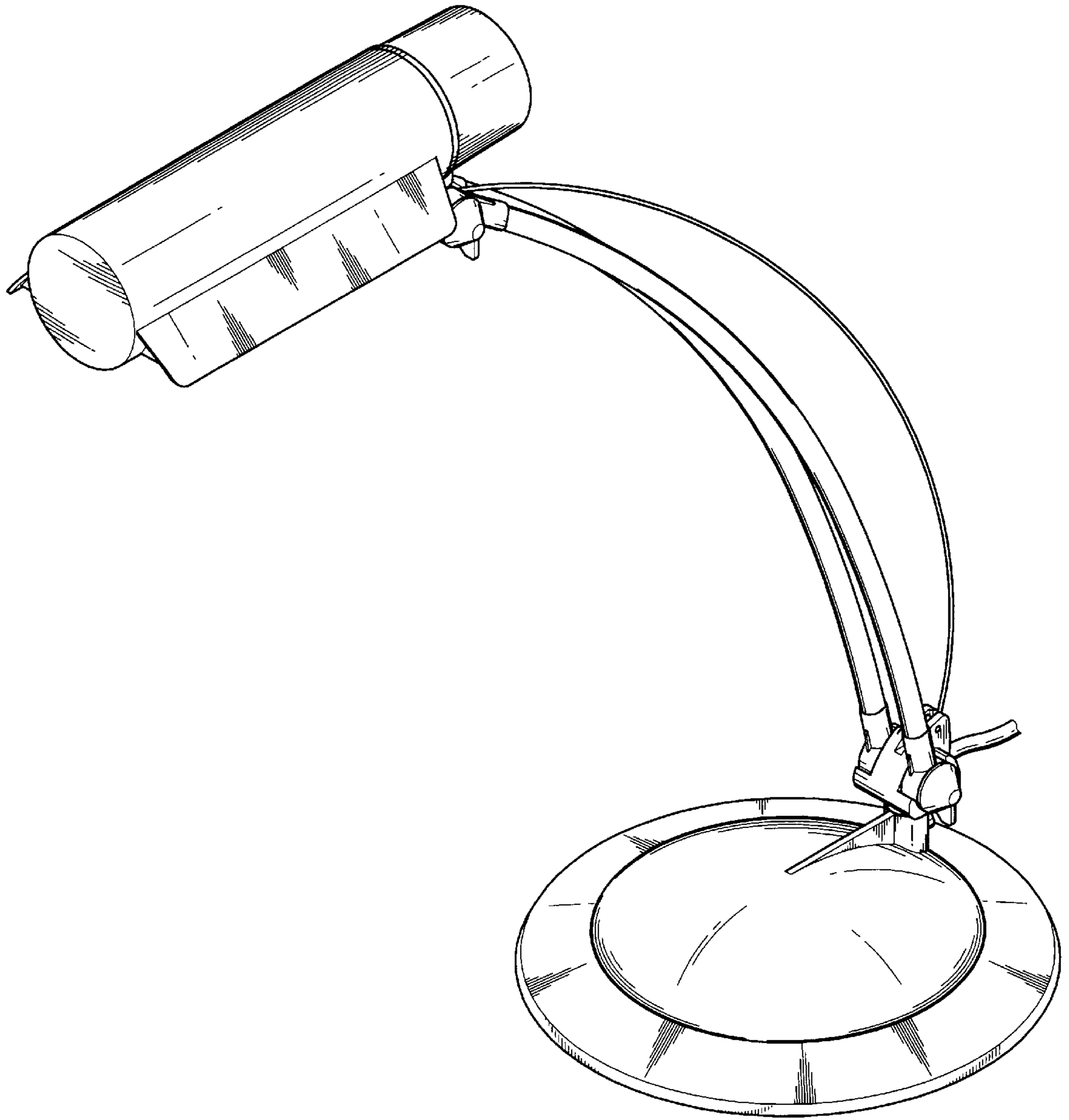


FIG. 1

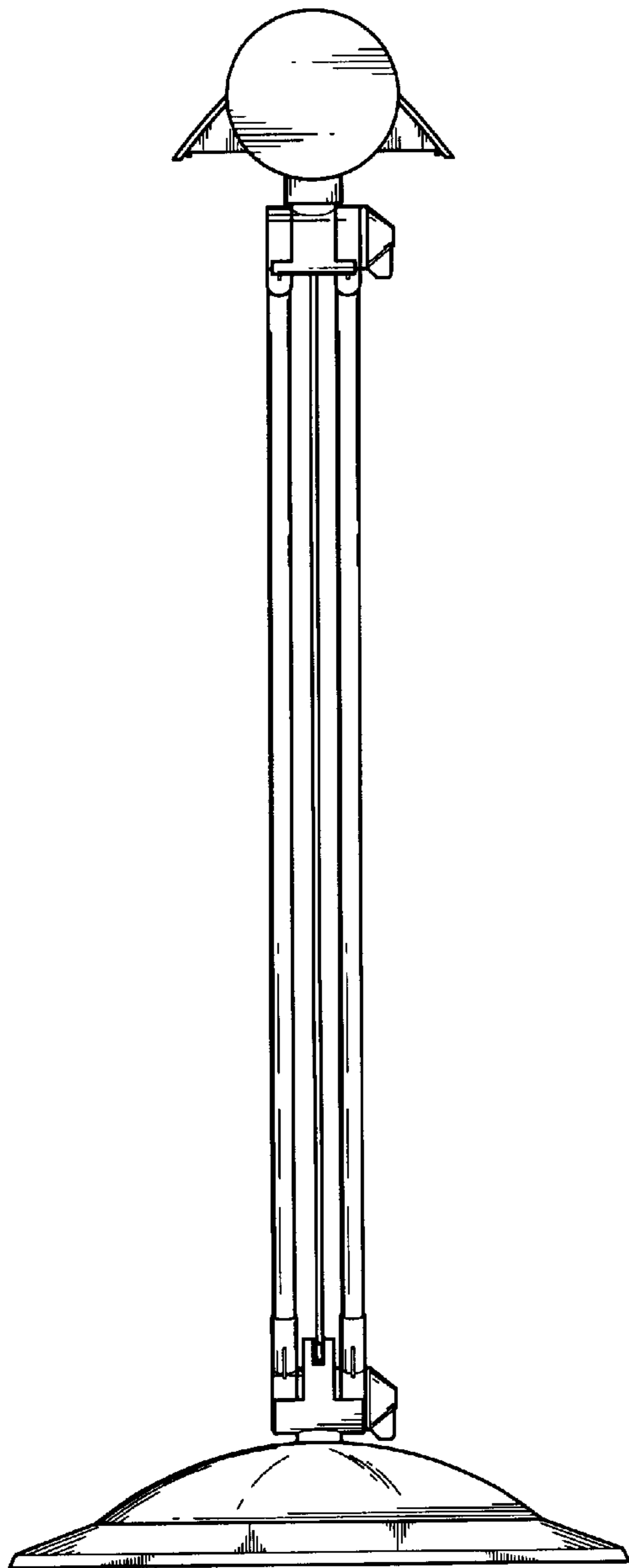


FIG. 2

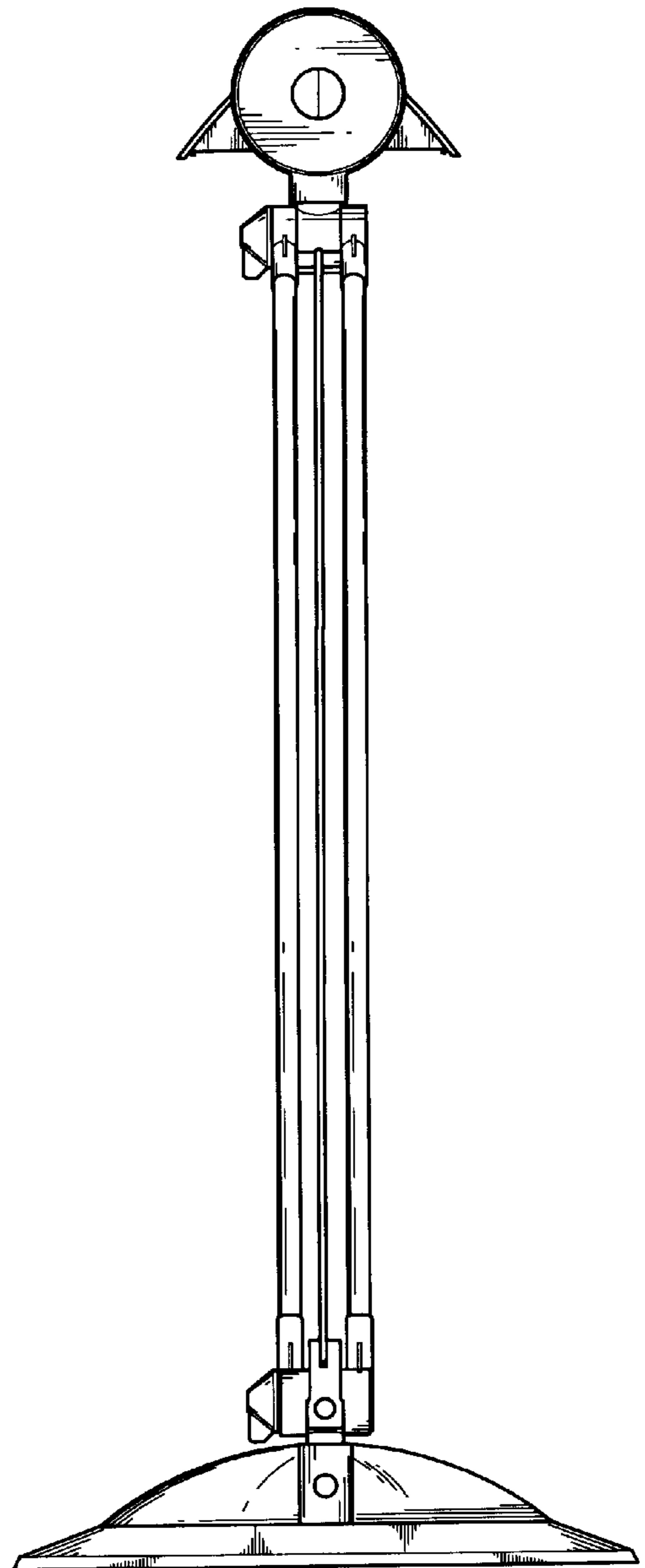


FIG. 3

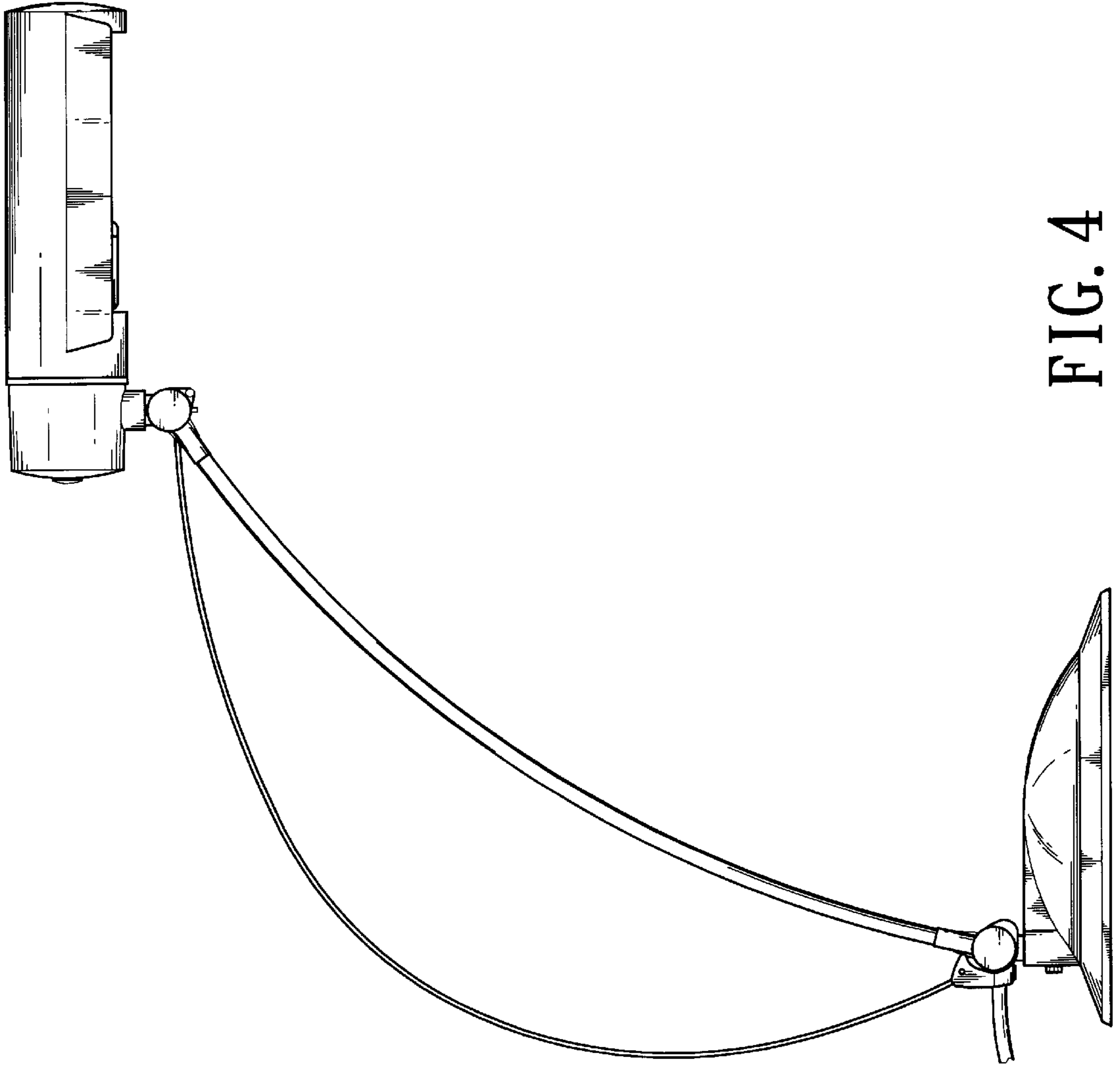


FIG. 4

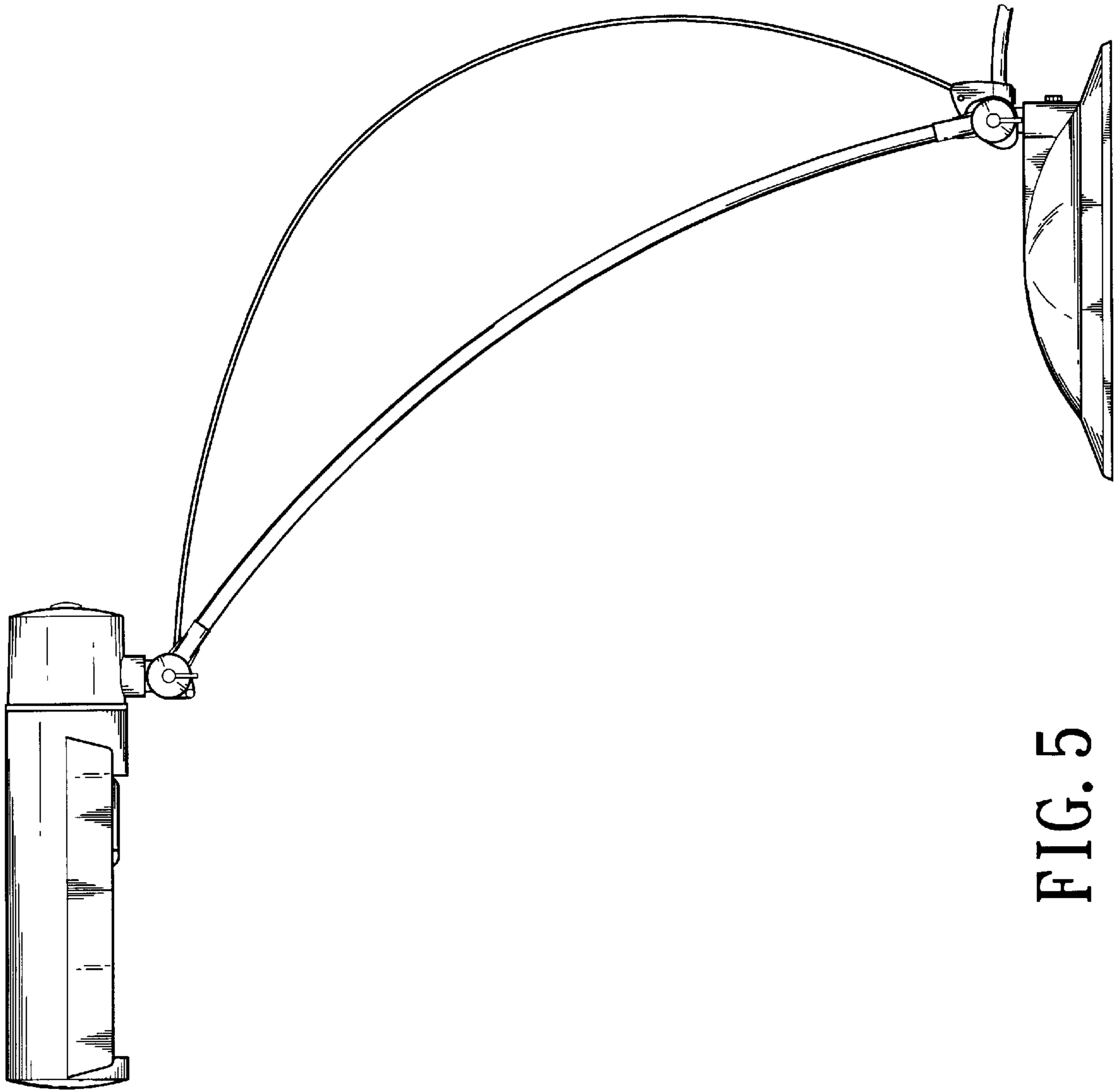


FIG. 5

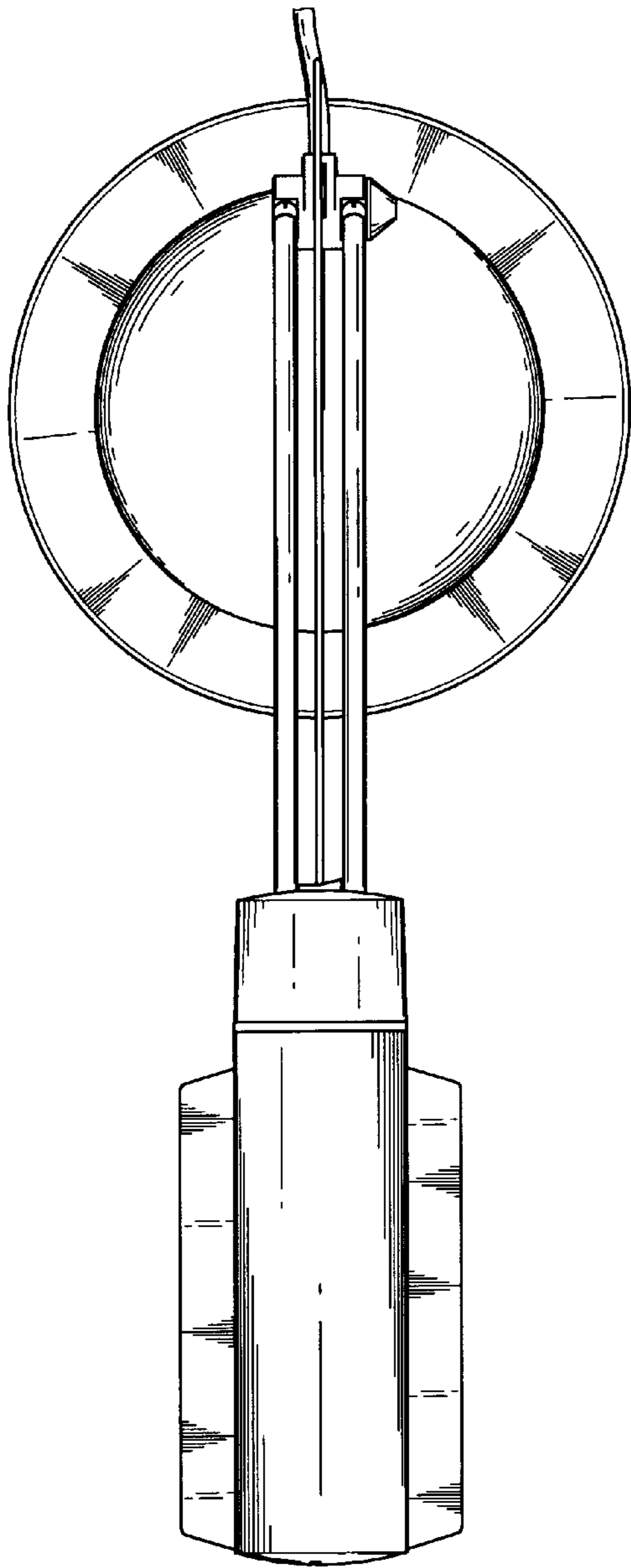


FIG. 6

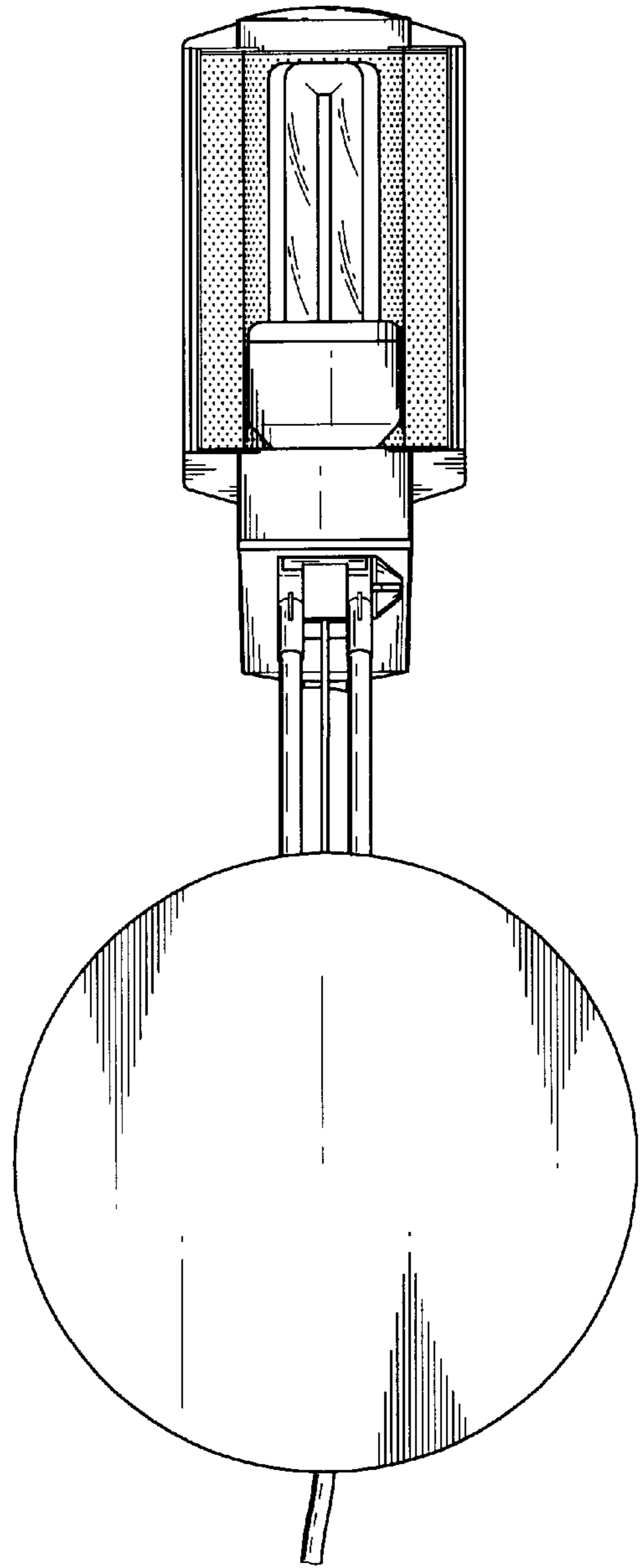


FIG. 7