



US00D441113S

(12) **United States Design Patent**
Small et al.

(10) **Patent No.:** **US D441,113 S**

(45) **Date of Patent:** **** Apr. 24, 2001**

(54) **COMBINED FLOODLIGHT AND SENSOR**

(76) Inventors: **Edward R. Small**, 805 Brandon Mill Ct., Elon College, NC (US) 27244; **Suleyman O. Sumer**, 1236 Teakwood Pl., Raleigh, NC (US) 27606; **Scott E. Scheibe**, 314 Zingale Dr., Bedford, OH (US) 44146

(**) Term: **14 Years**

(21) Appl. No.: **29/082,320**

(22) Filed: **Jan. 20, 1998**
(Under 37 CFR 1.47)

(51) **LOC (7) Cl.** **26-05**

(52) **U.S. Cl.** **D26/63**

(58) **Field of Search** D26/61, 62, 63,
D26/64, 65; 362/147, 269, 275, 287, 418,
419, 427, 394, 276; D10/104

(56) **References Cited**

U.S. PATENT DOCUMENTS

D. 360,960	*	8/1995	Wedell et al.	D26/63
D. 361,149	*	8/1995	Wedell	D26/63
D. 374,496	*	10/1996	Small et al.	D26/63
5,258,899	*	11/1993	Chen	362/394
5,381,323	*	1/1995	Osteen et al.	362/276

* cited by examiner

Primary Examiner—Susan J. Lucas

(74) *Attorney, Agent, or Firm*—Niro, Scavone, Haller & Niro

(57) **CLAIM**

The ornamental design for a combined floodlight and sensor, as shown and described.

DESCRIPTION

FIG. 1 is a front perspective view of the fixture of the invention mounted on a vertical surface, and with an associated pair of lamps and a sensor head aimed horizontally for illustrative purposes;

FIG. 2 is a left side elevational view of the fixture of FIG. 1 with one lamp aimed downward;

FIG. 3 is a right side elevational view of the FIG. 2 fixture;

FIG. 4 is a top plan view of the FIG. 2 fixture;

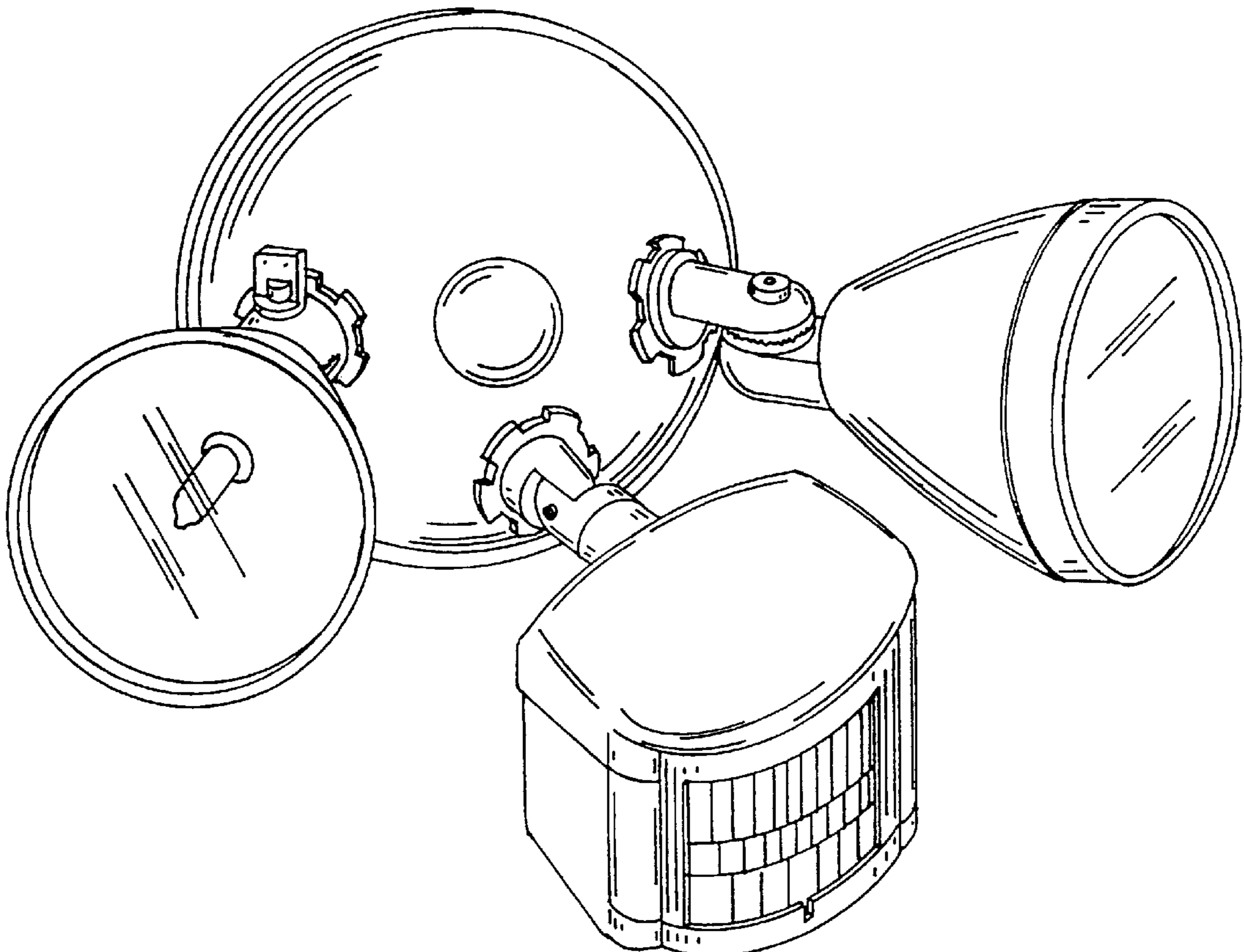
FIG. 5 is a front elevational view of the FIG. 2 fixture;

FIG. 6 is a bottom plan view of the FIG. 2 fixture;

FIG. 7 is a back elevational view of the FIG. 2 fixture; and,

FIG. 8 is a front elevational view of the fixture of the invention with the associated pair of lamps aimed horizontally and sensor head aimed downward for illustrative purposes.

1 Claim, 4 Drawing Sheets



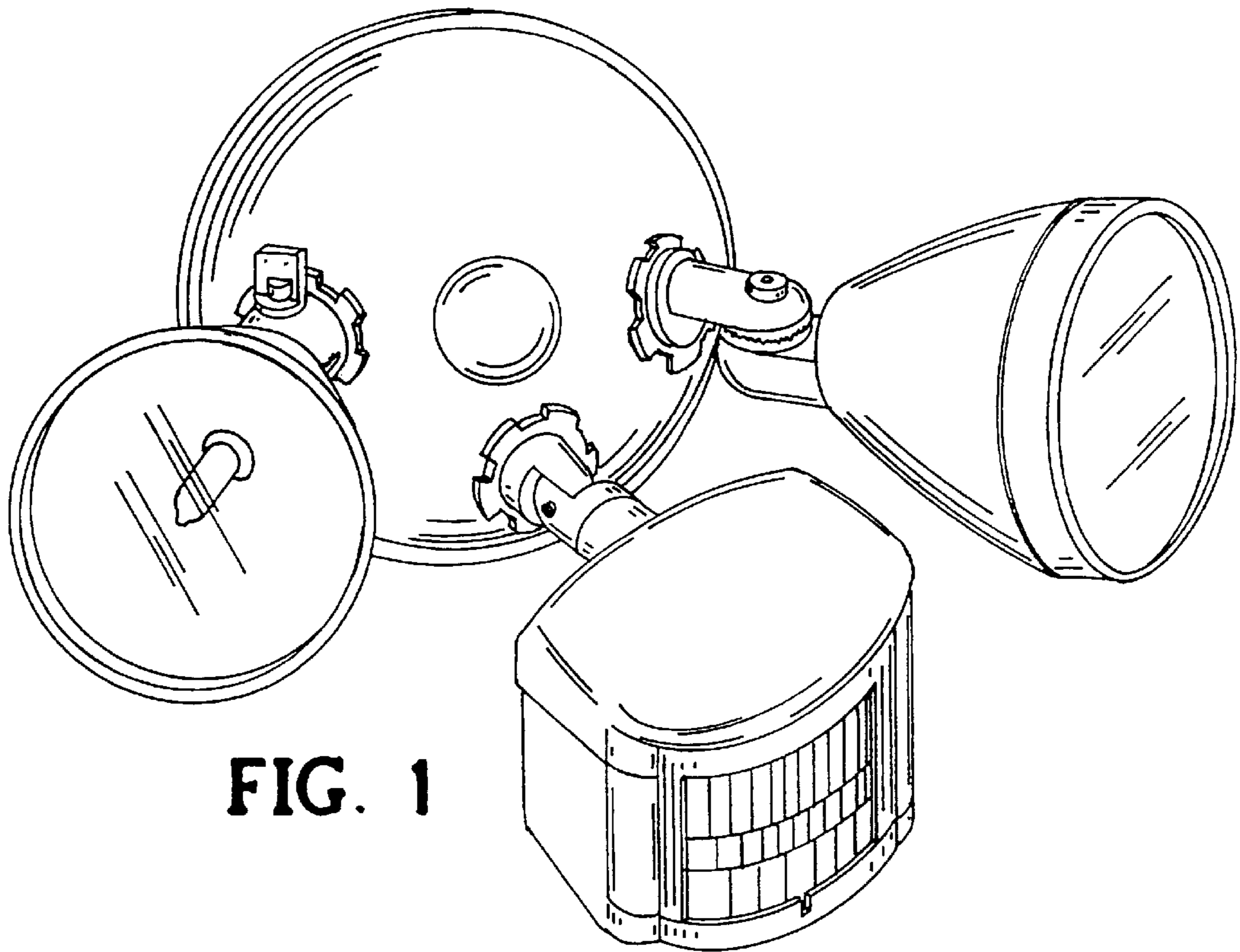


FIG. 1

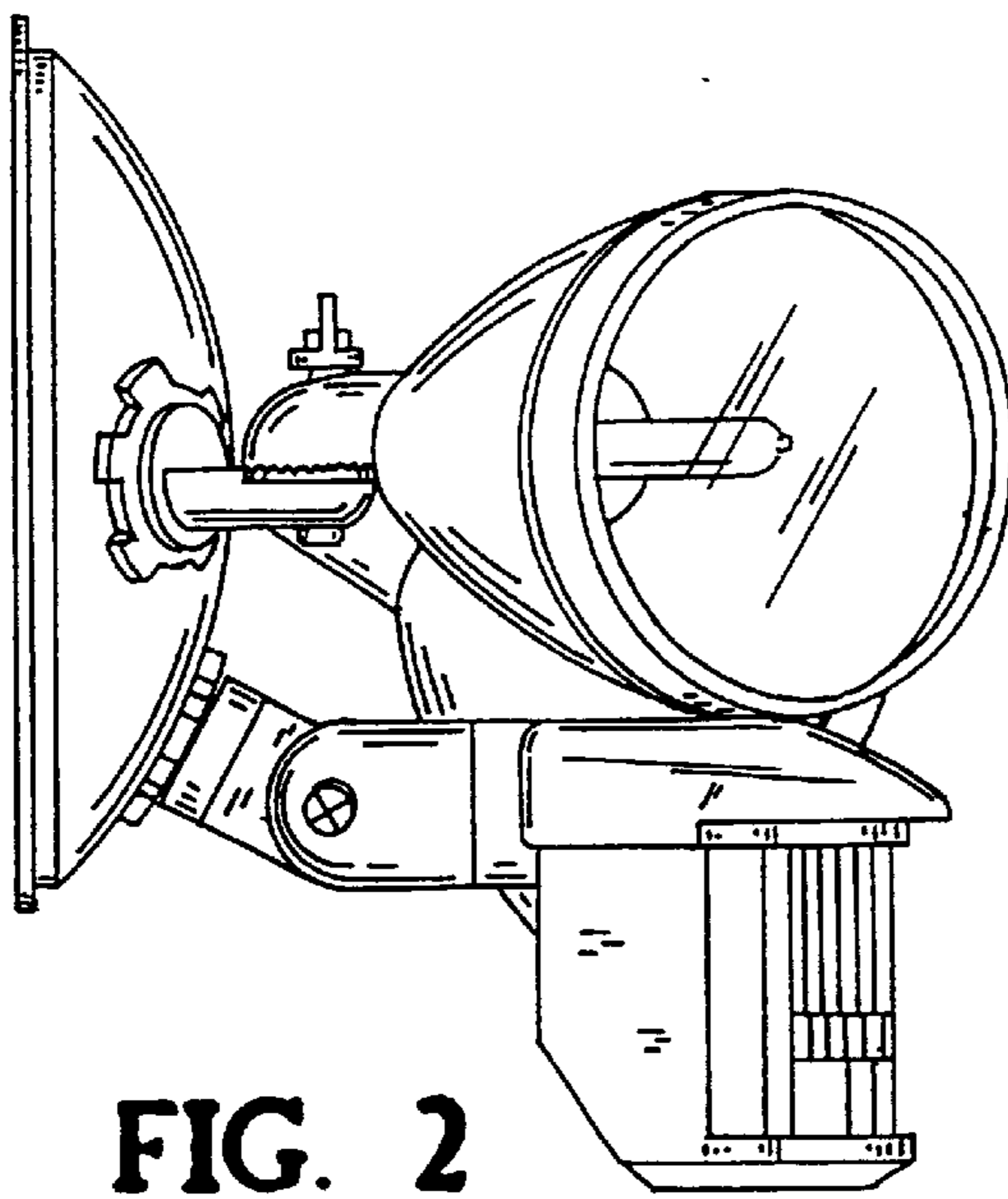


FIG. 2

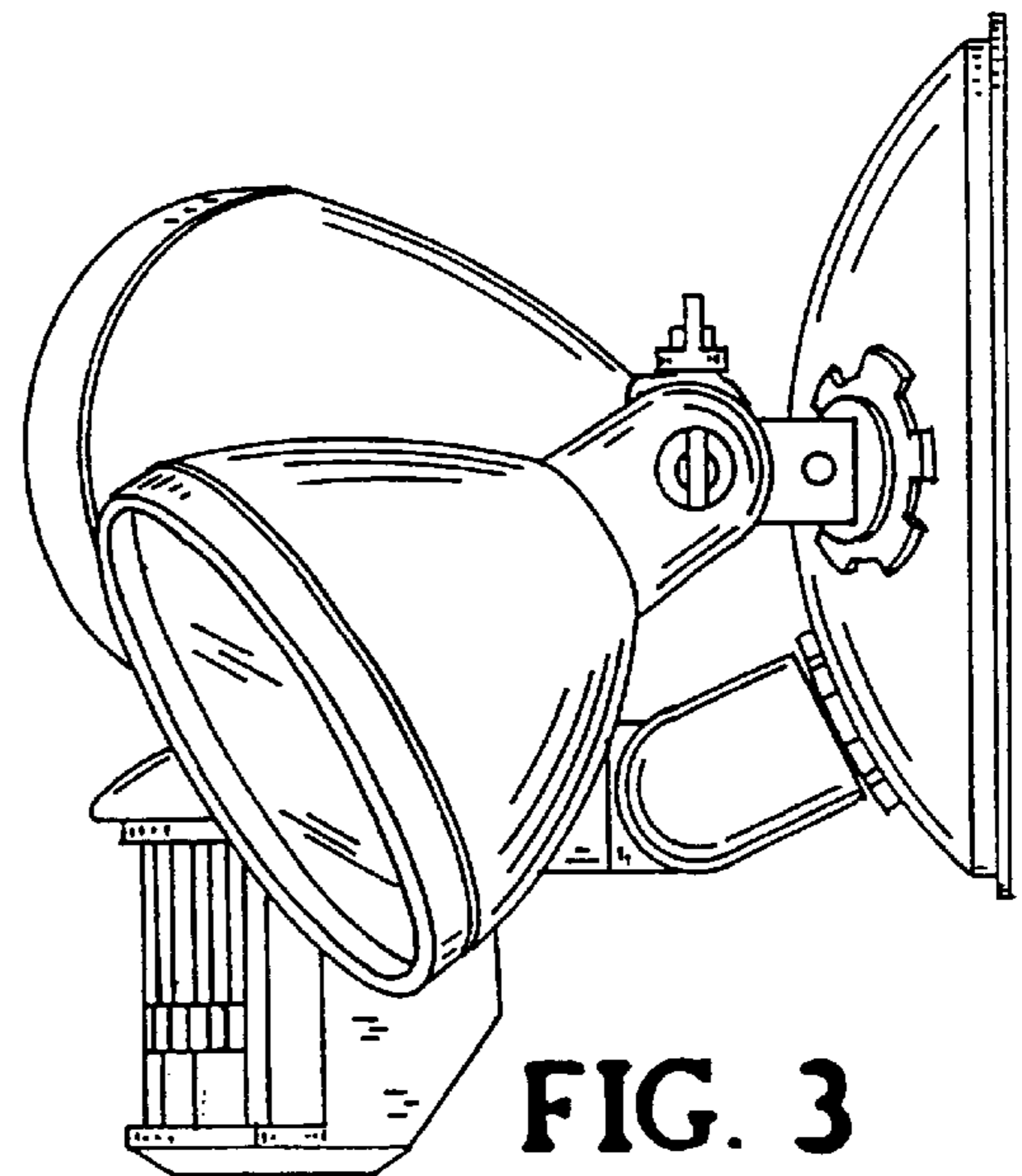


FIG. 3

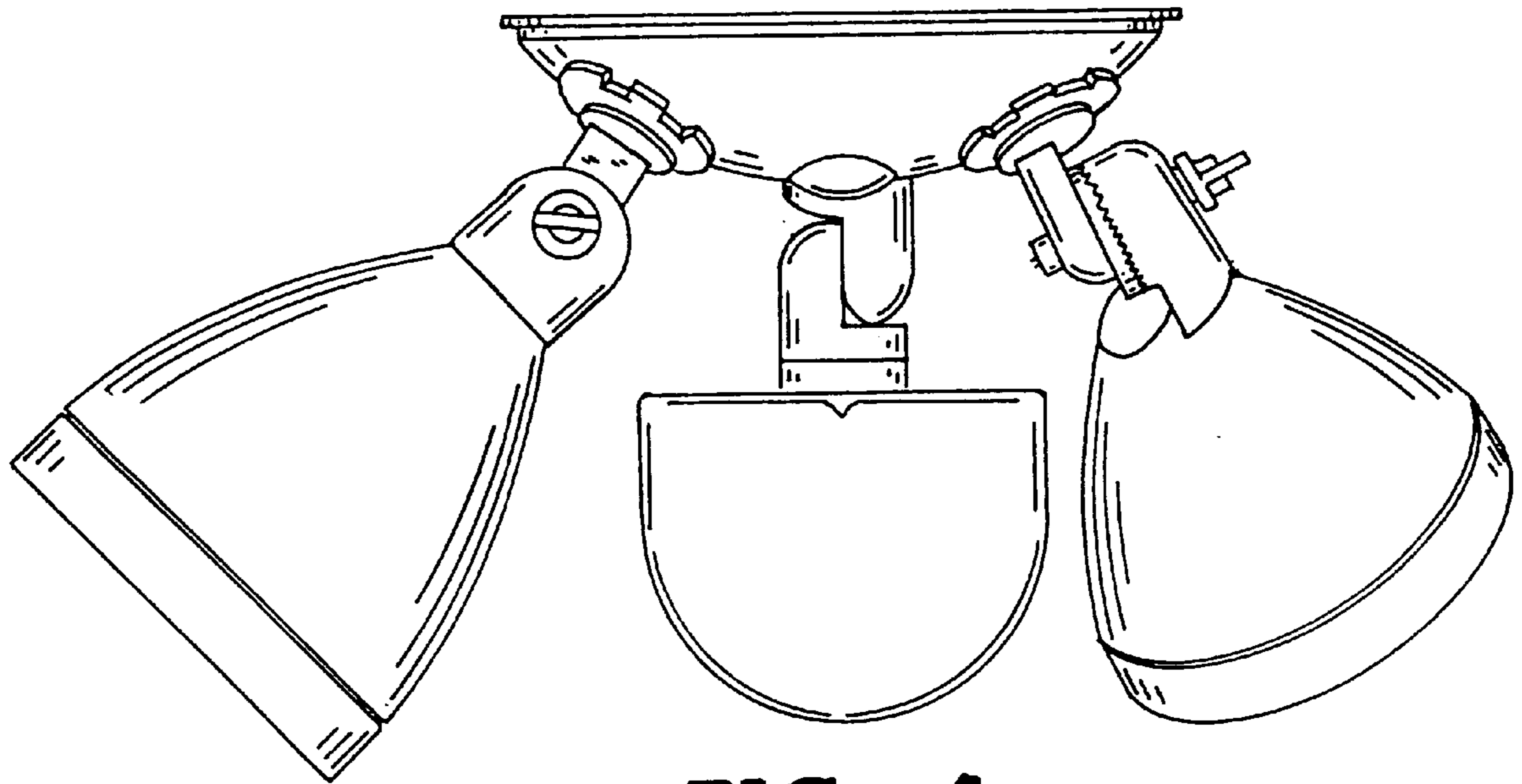


FIG. 4

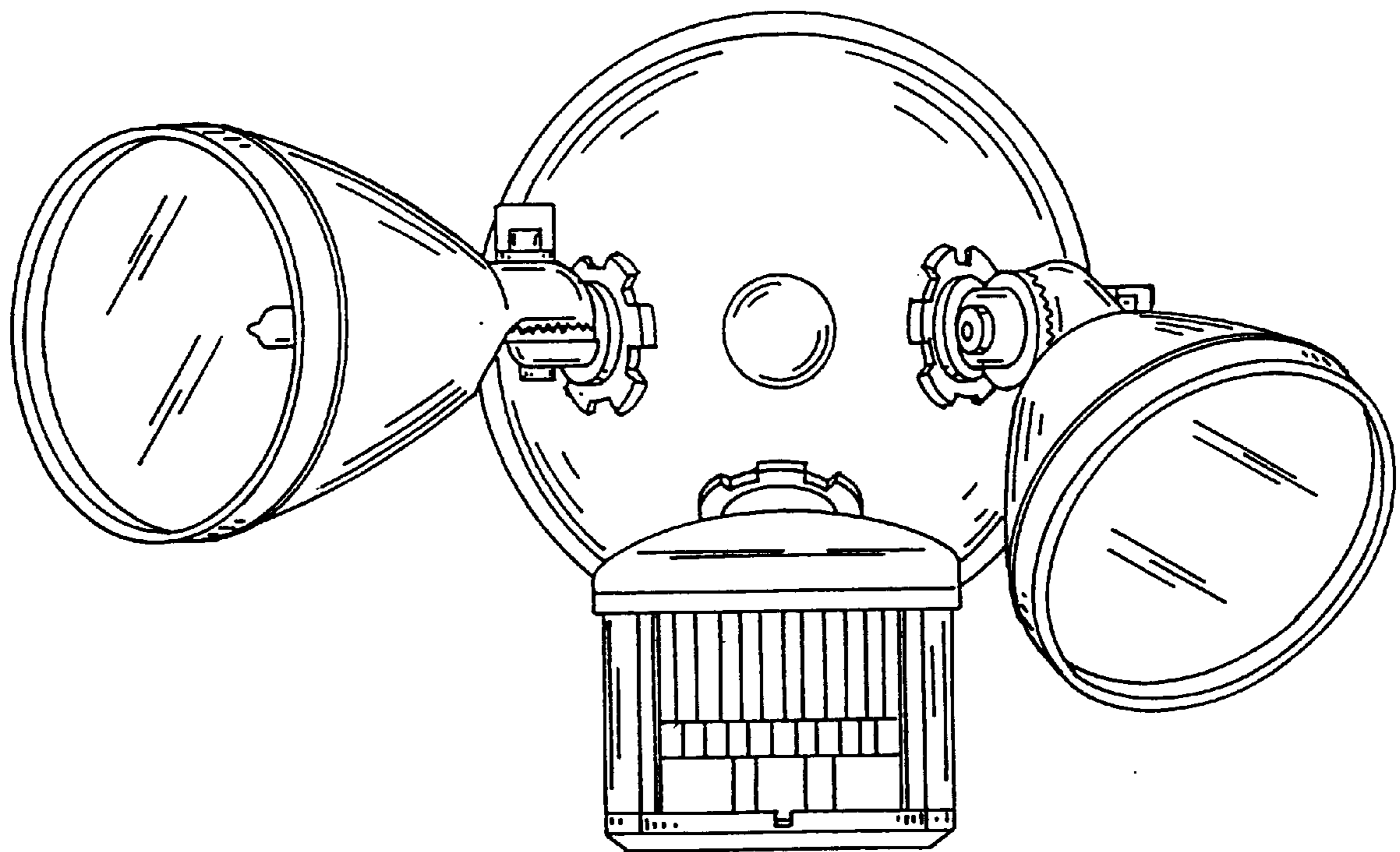


FIG. 5

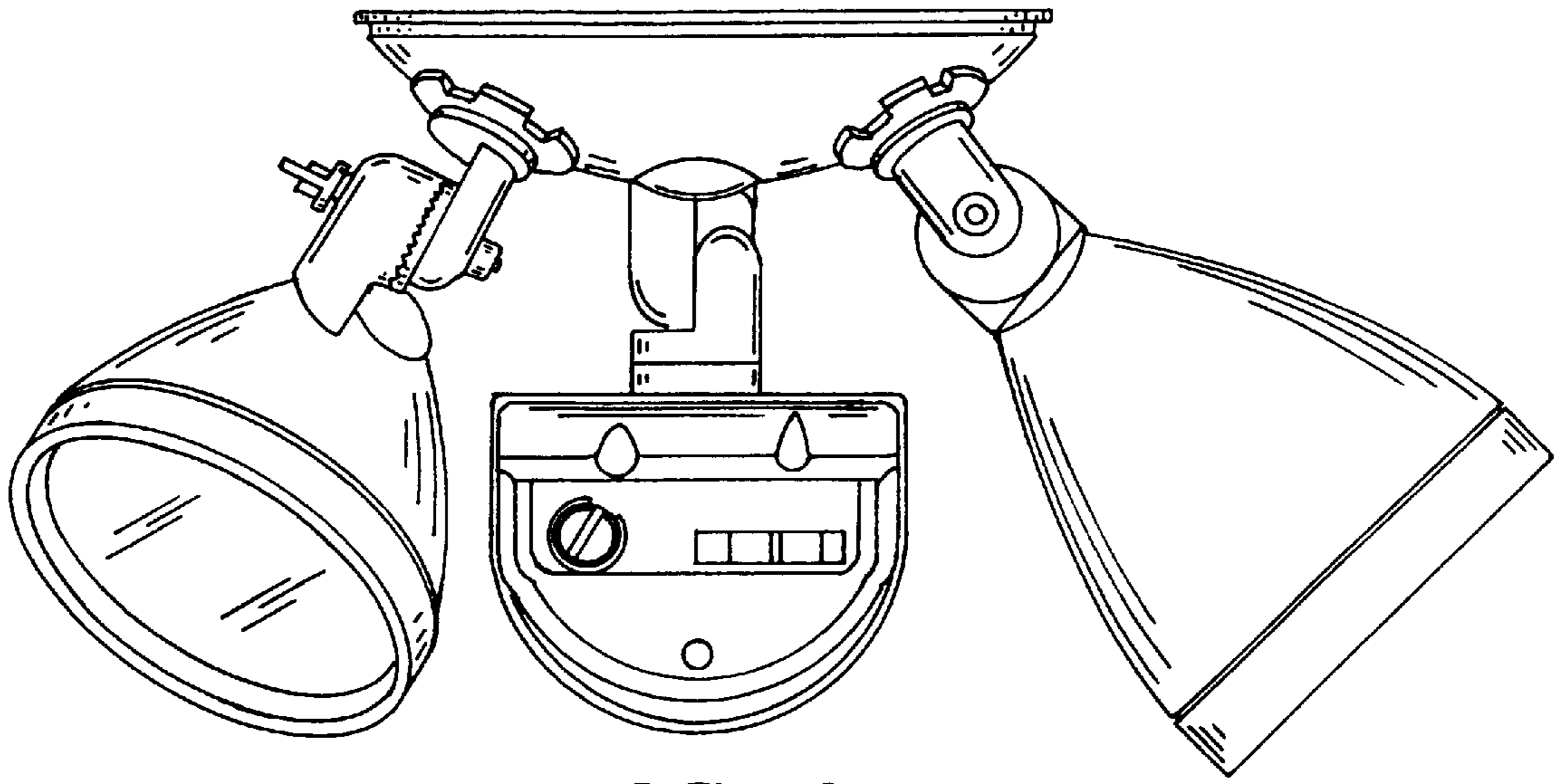


FIG. 6

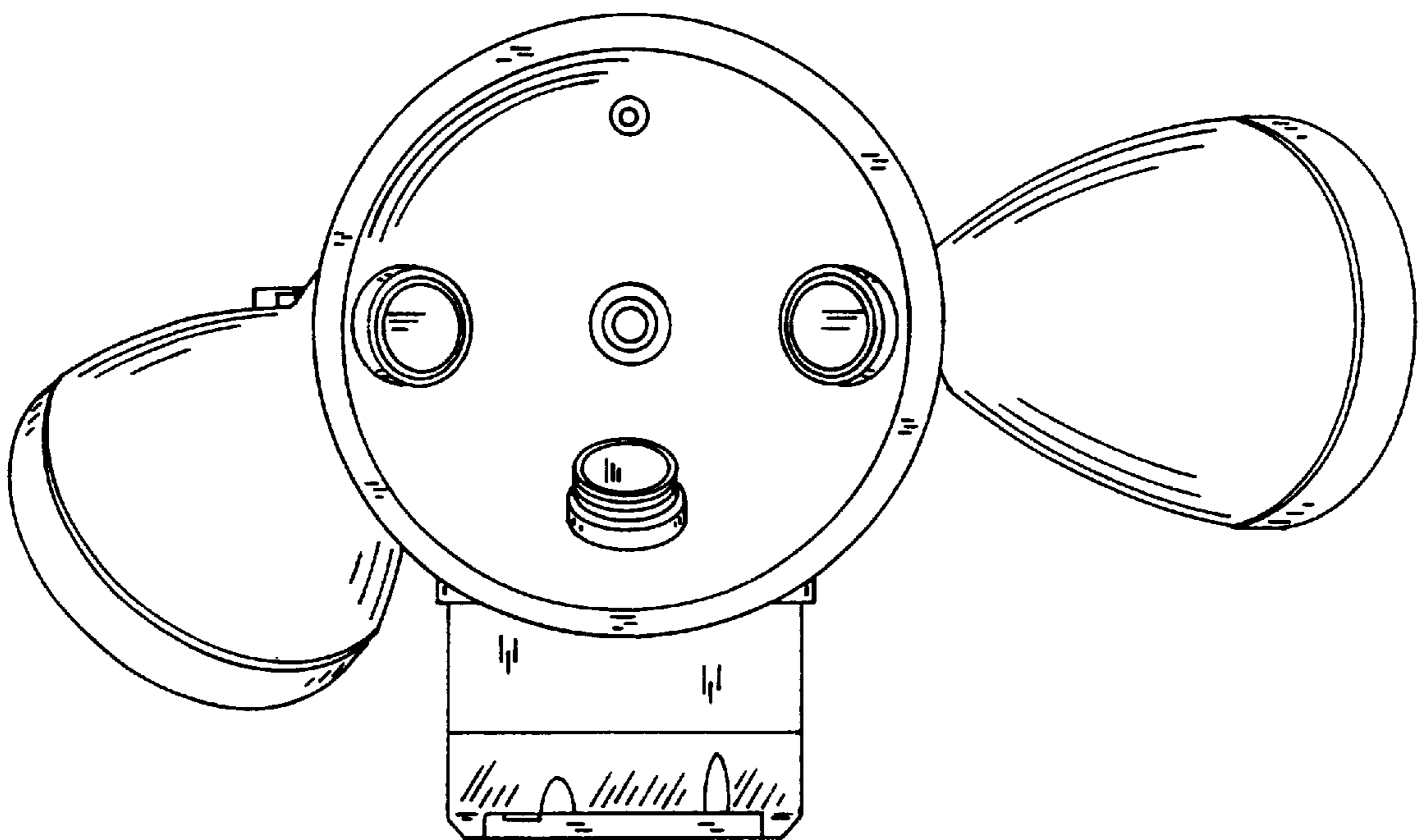


FIG. 7

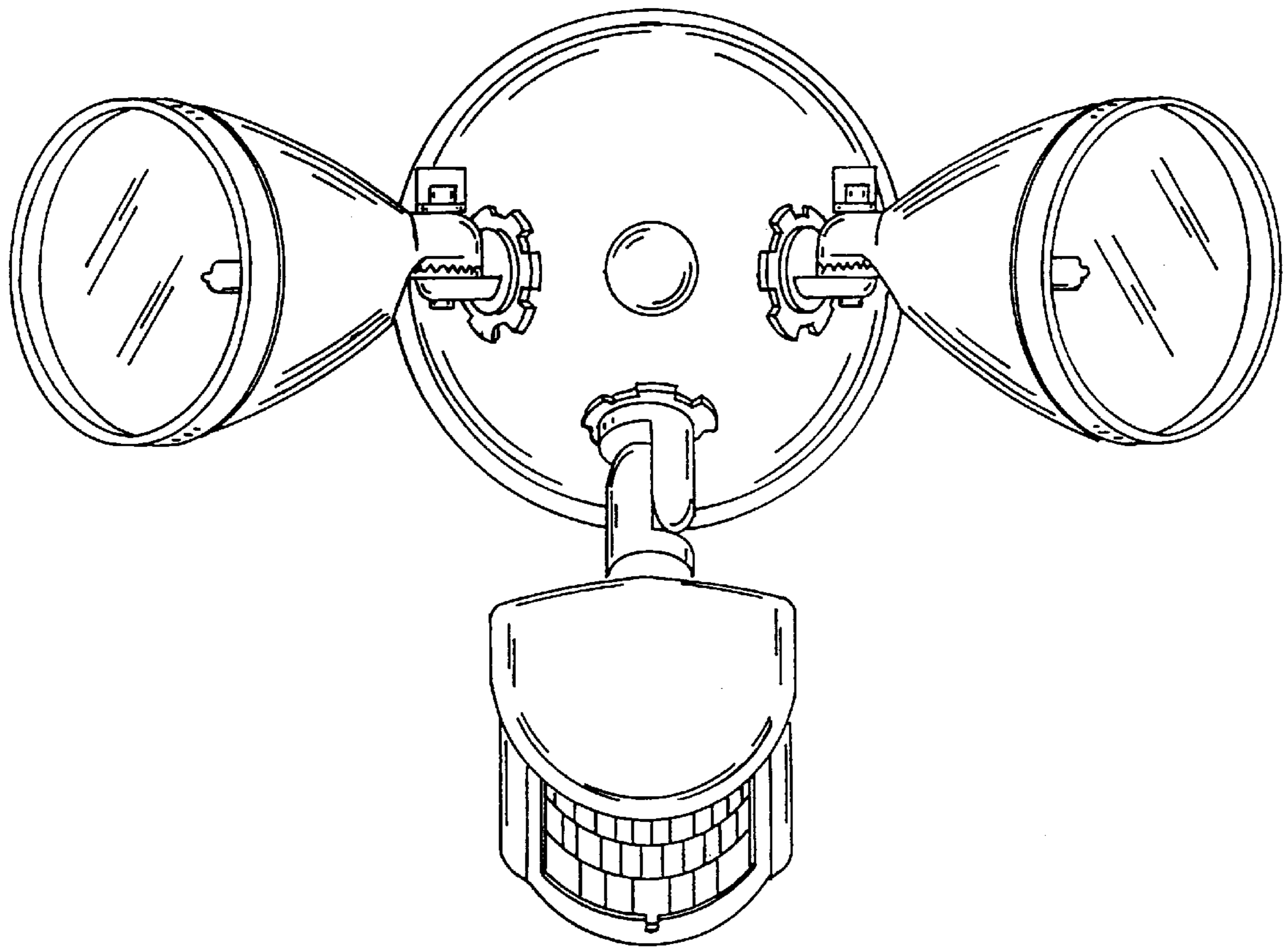


FIG. 8