



US00D441112S

(12) **United States Design Patent**  
**Krieger et al.**

(10) **Patent No.:** **US D441,112 S**

(45) **Date of Patent:** **\*\* Apr. 24, 2001**

(54) **SPOT LIGHT**

(75) Inventors: **Michael Krieger**, Miami Beach; **Kevin Ellsworth**, Hollywood, both of FL (US)

(73) Assignee: **Vector Products, Inc.**, Fort Lauderdale, FL (US)

(\*\*) Term: **14 Years**

(21) Appl. No.: **29/130,086**

(22) Filed: **Sep. 28, 2000**

(51) **LOC (7) Cl.** ..... **26-02**

(52) **U.S. Cl.** ..... **D26/45**

(58) **Field of Search** ..... D26/37-50; 362/157,  
362/158, 171, 183-208

(56) **References Cited**

**U.S. PATENT DOCUMENTS**

D. 278,084	*	3/1985	Parker et al.	.....	D26/45
D. 301,752	*	6/1989	Osterhout	.....	D26/45
D. 429,013	*	8/2000	Poon	.....	D26/45
D. 431,662	*	10/2000	Krieger	.....	D26/45

\* cited by examiner

*Primary Examiner*—Marcus A. Jackson

(74) *Attorney, Agent, or Firm*—Venable; Robert Kinberg

(57) **CLAIM**

The ornamental design for a spot light, as shown and described.

**DESCRIPTION**

FIG. 1 is a perspective view of the spot light showing our new design;

FIG. 2 is a front elevational view of the design shown in FIG. 1;

FIG. 3 is a rear elevational view of the design shown in FIG. 1;

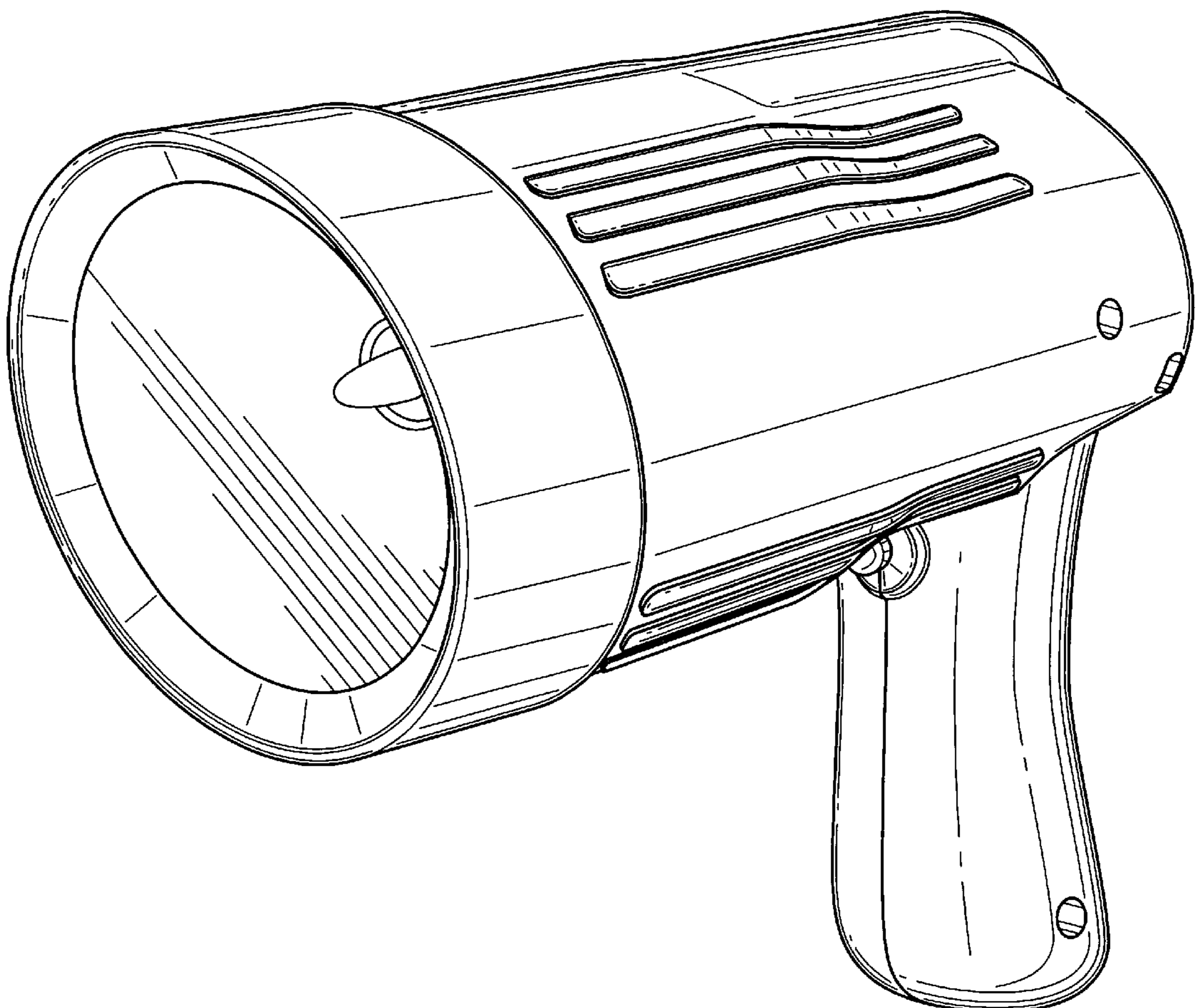
FIG. 4 is a left side elevational view of the design shown in FIG. 1;

FIG. 5 is a right side elevational view of the design shown in FIG. 1;

FIG. 6 is a top elevational view of the design shown in FIG. 1; and,

FIG. 7 is a bottom elevational view of the design shown in FIG. 1.

**1 Claim, 7 Drawing Sheets**



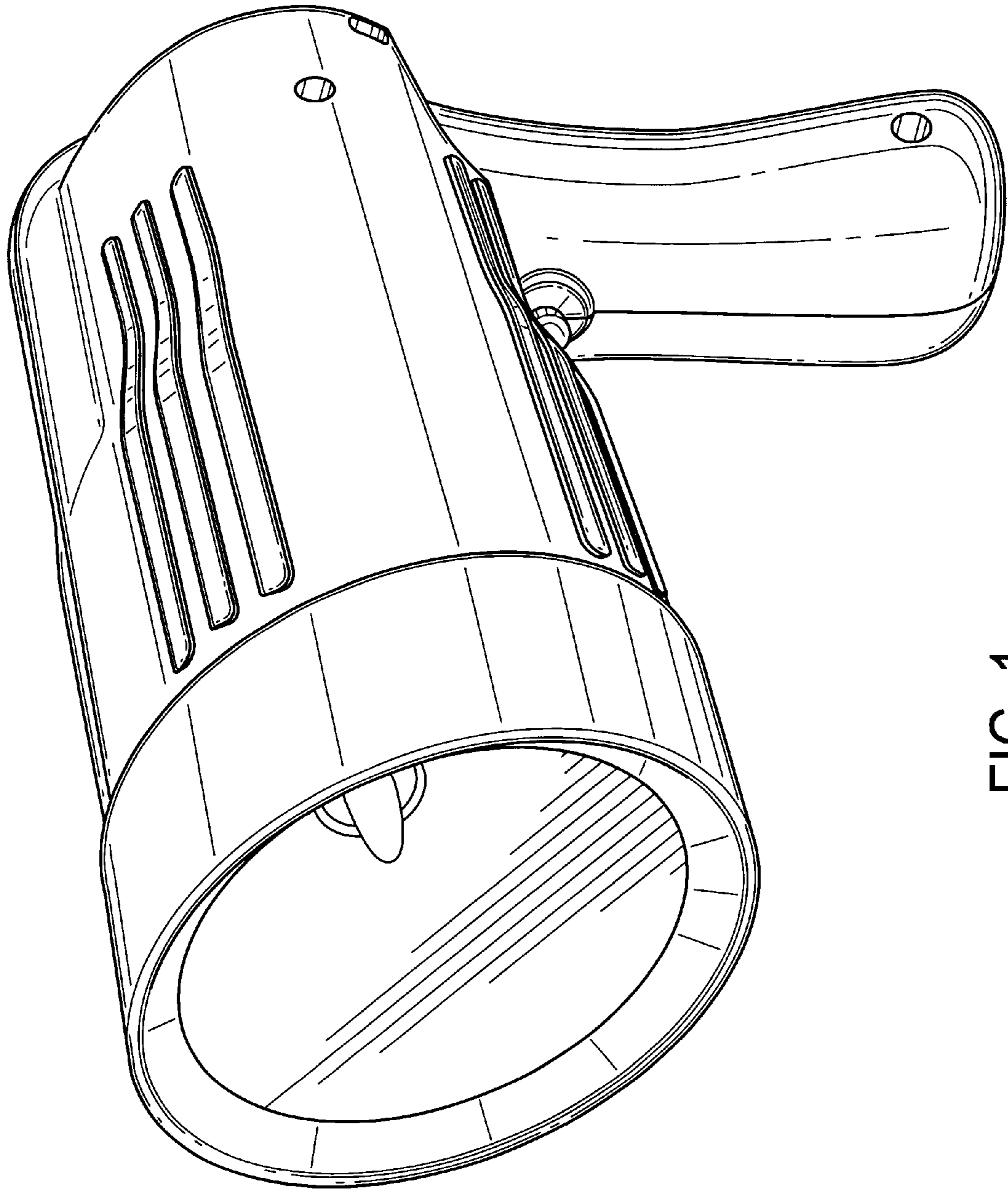


FIG. 1

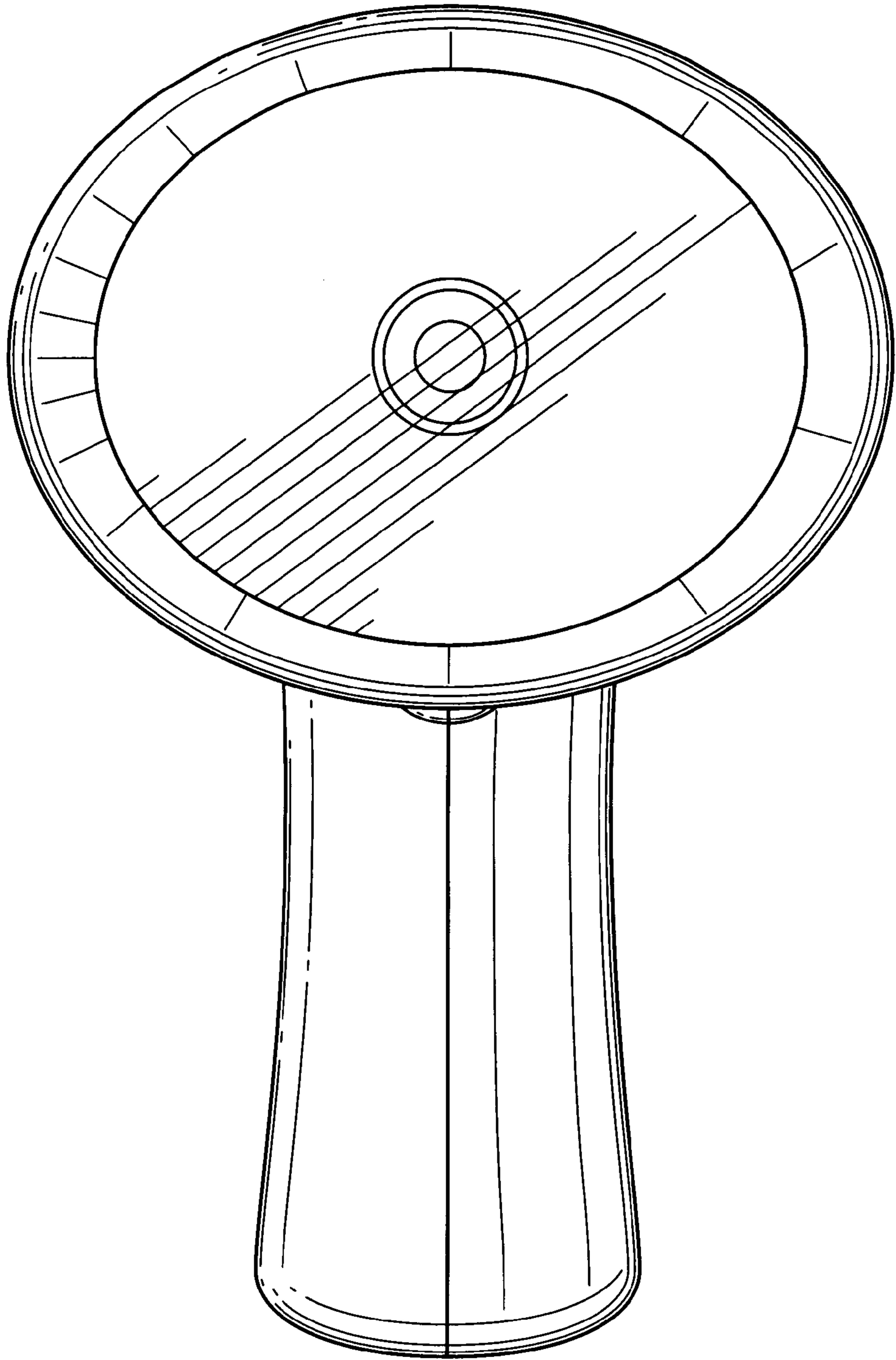


FIG. 2

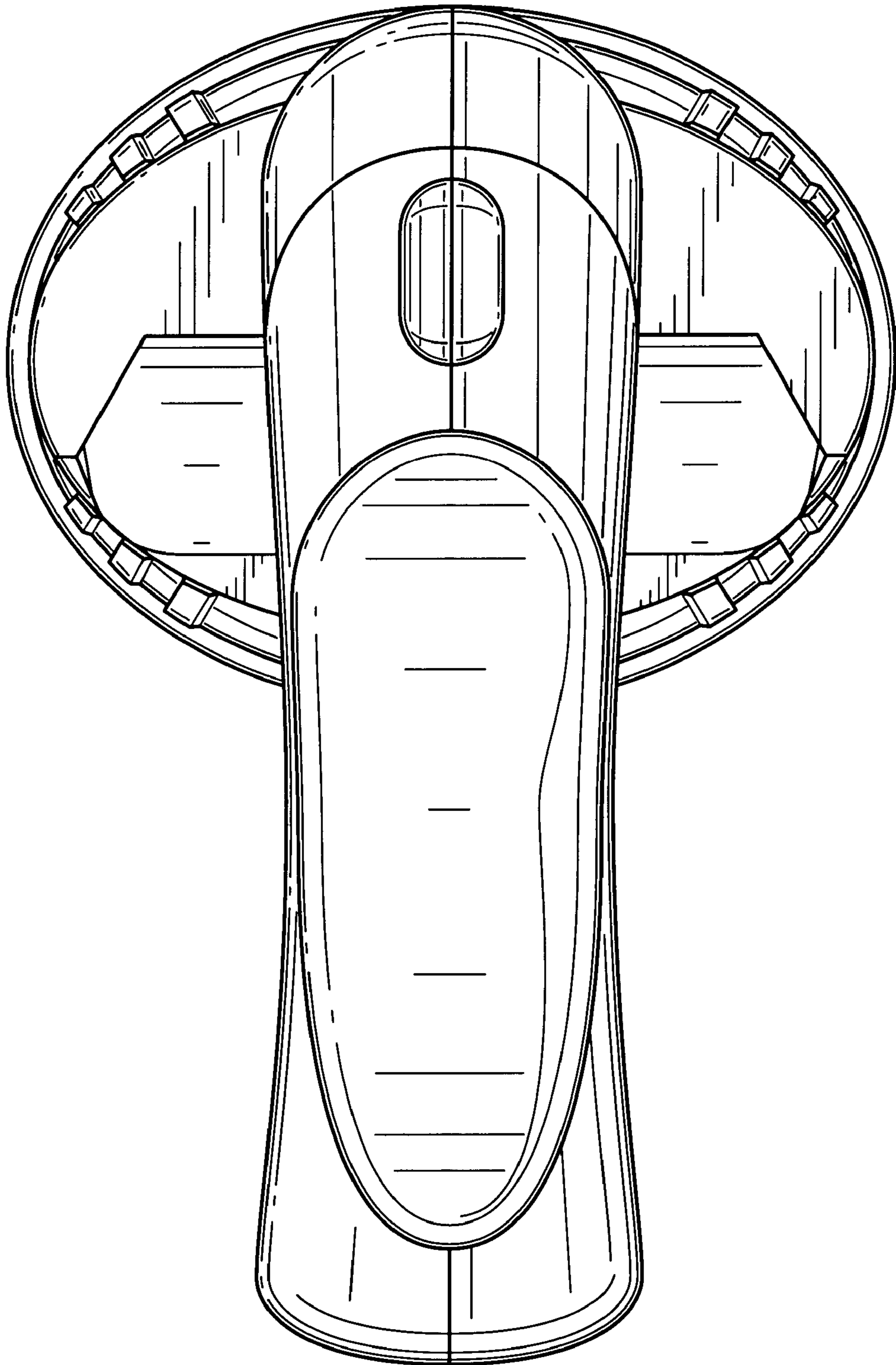


FIG. 3

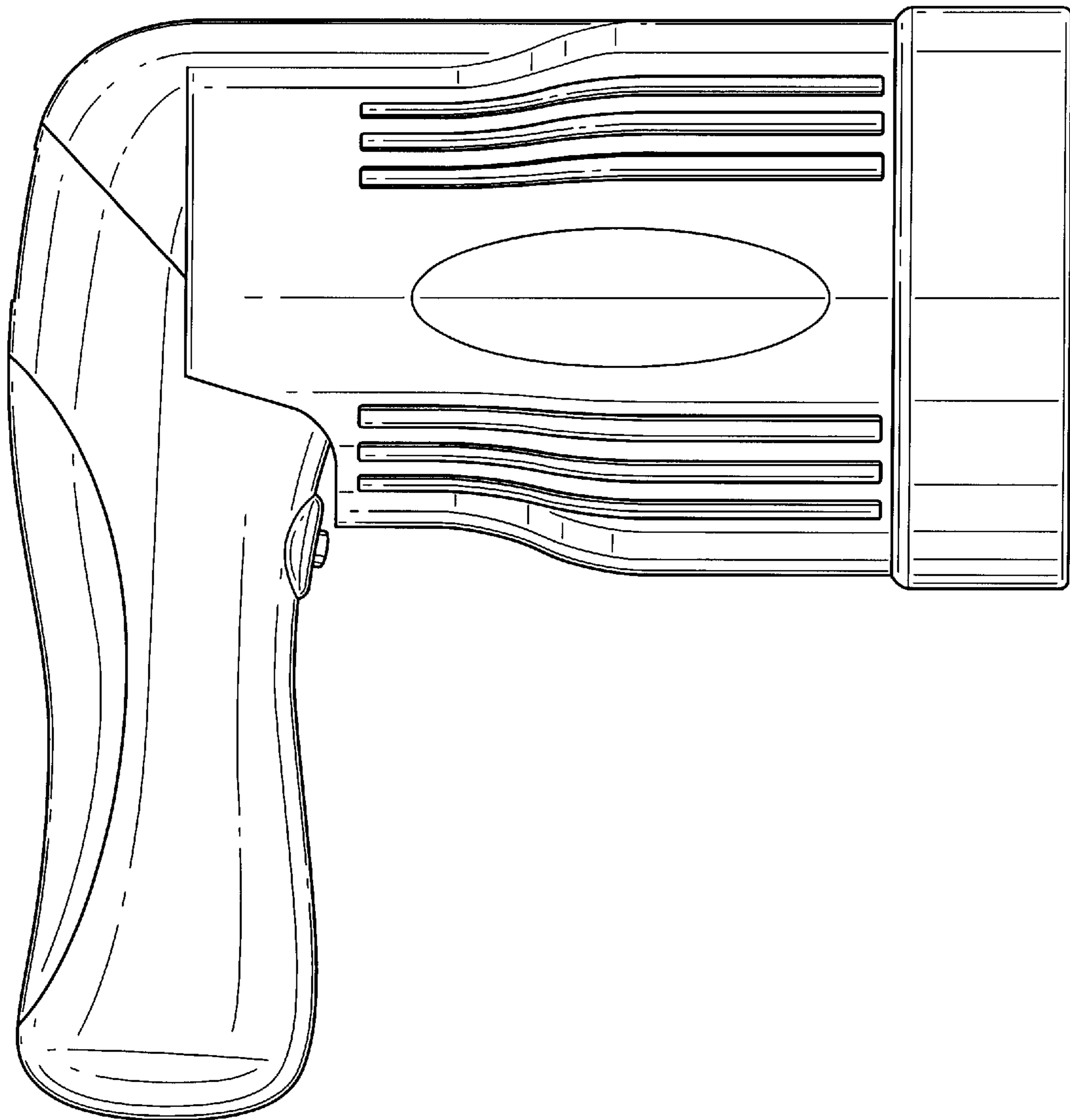


FIG. 4

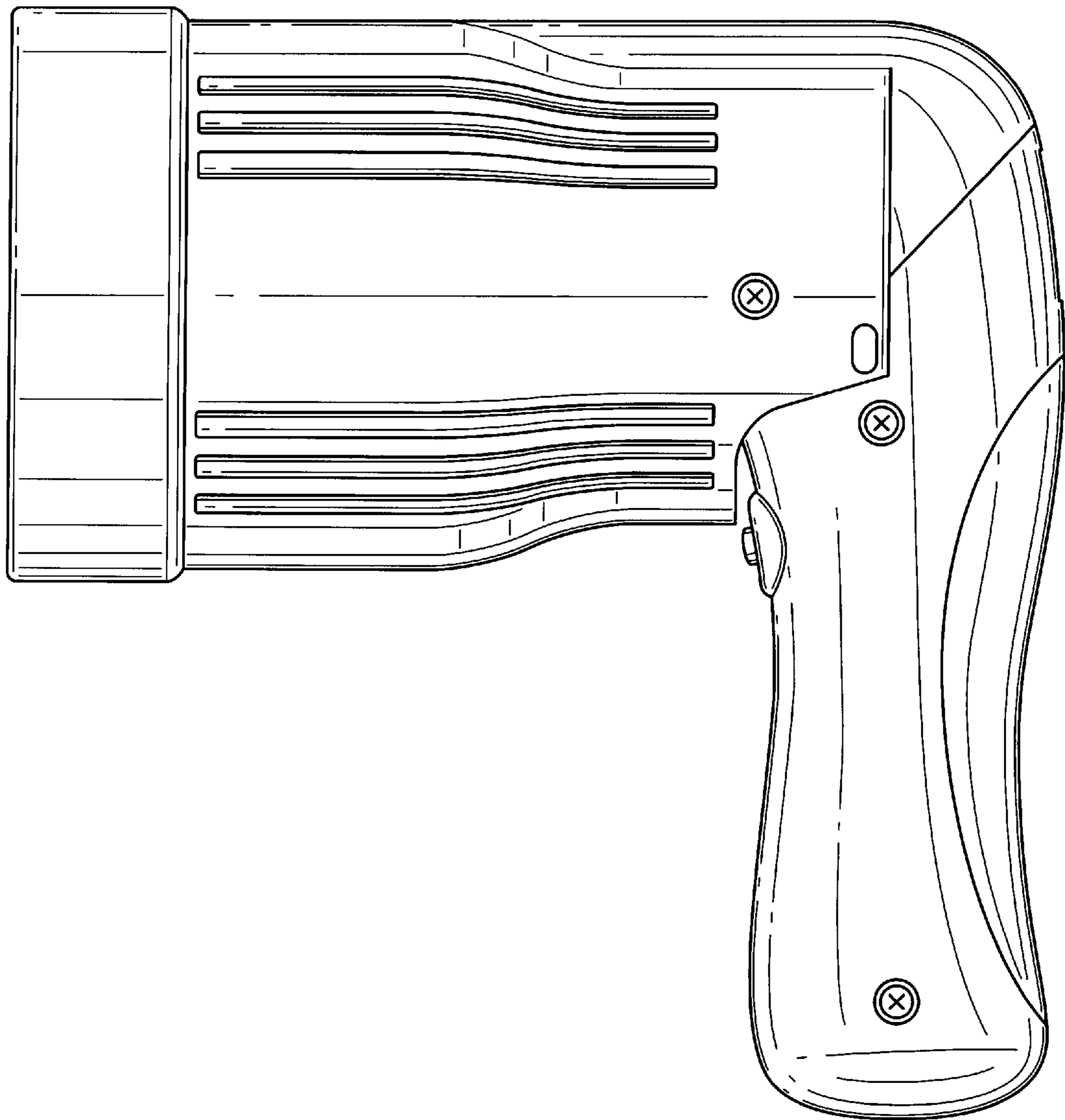


FIG. 5

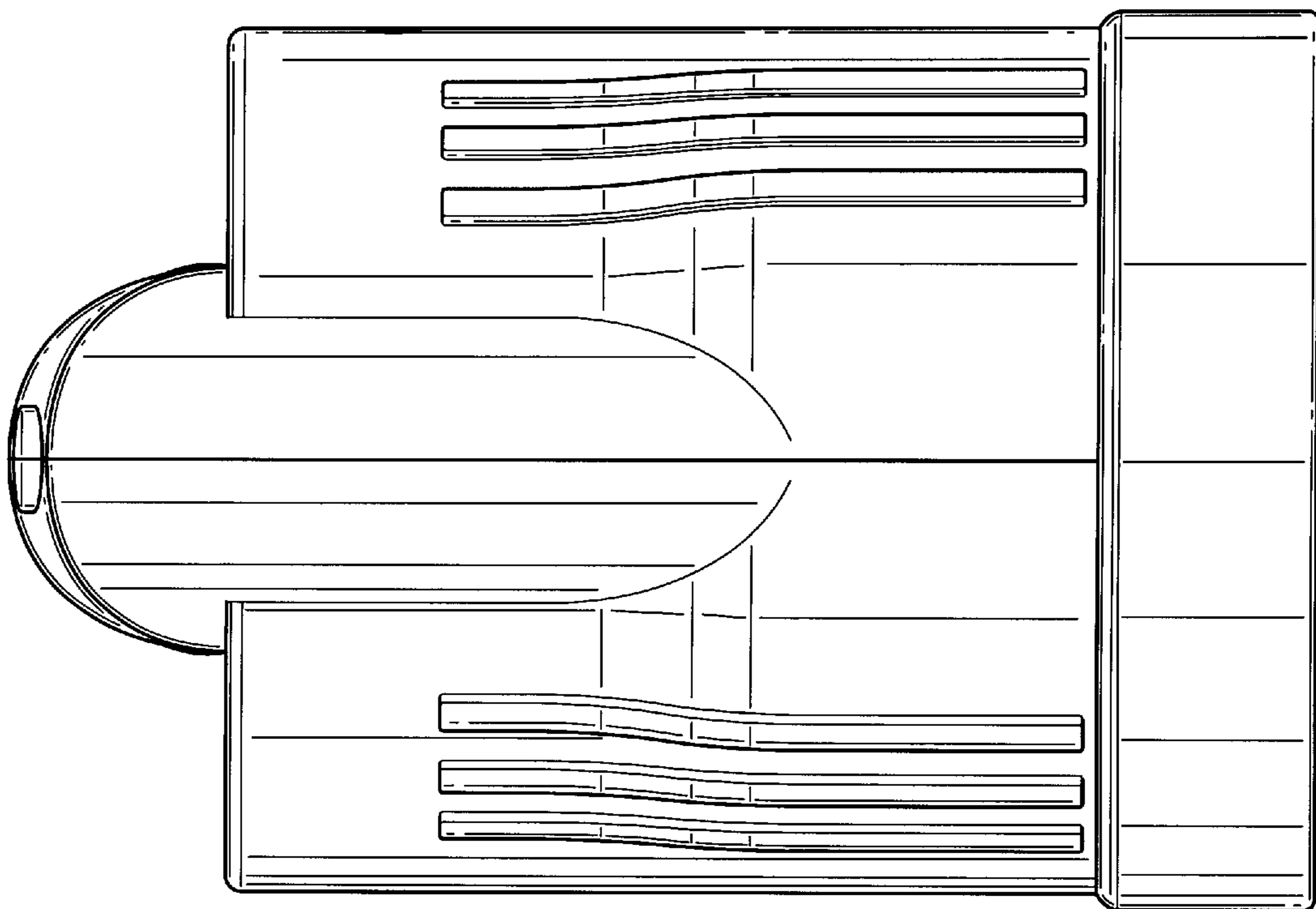


FIG. 6

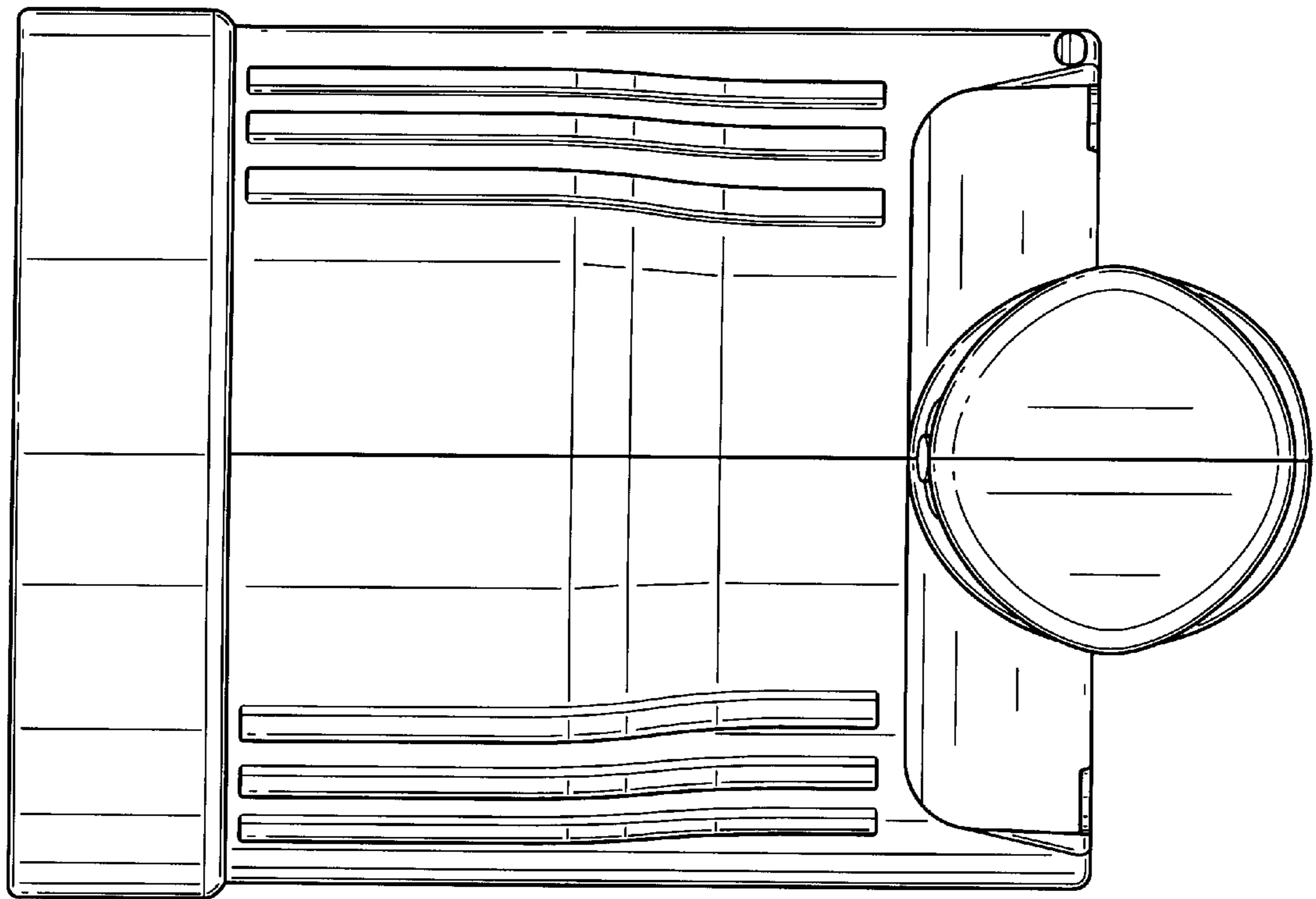


FIG. 7