



US00D441110S

(12) **United States Design Patent**
Lam

(10) **Patent No.:** **US D441,110 S**

(45) **Date of Patent:** **** Apr. 24, 2001**

(54) **LANTERN**

D. 433,401 * 11/2000 Chan D26/38

(75) **Inventor:** **Man Kuen Lam**, North Point (HK)

* cited by examiner

(73) **Assignee:** **Sky City International Limited**, North Point (HK)

Primary Examiner—Marcus A. Jackson

(74) *Attorney, Agent, or Firm*—Rabin S Champagne, P.C.

(**) **Term:** **14 Years**

(57) **CLAIM**

The ornamental design for a lantern, as shown and described.

(21) **Appl. No.:** **29/130,148**

(22) **Filed:** **Sep. 29, 2000**

DESCRIPTION

(51) **LOC (7) Cl.** **26-02**

FIG. 1 is a front perspective view of a lantern showing my new design;

(52) **U.S. Cl.** **D26/38**

FIG. 2 is a front view thereof;

(58) **Field of Search** D26/37-50; 362/157, 362/158, 171, 172, 173, 178, 183-208

FIG. 3 is a left side view thereof;

FIG. 4 is a top view thereof;

FIG. 5 is a rear view thereof;

FIG. 6 is a right side view thereof; and,

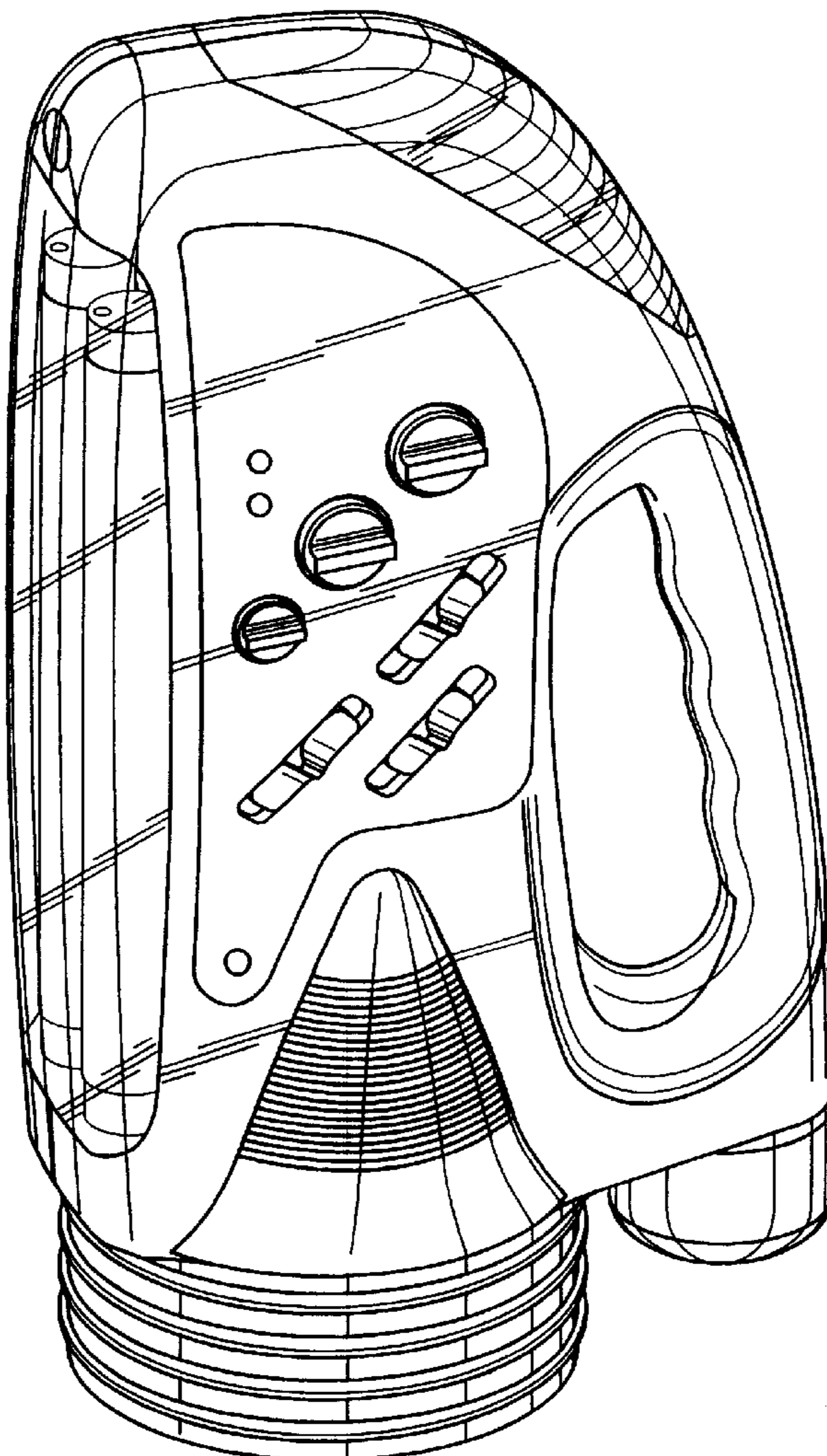
FIG. 7 is a bottom view thereof.

(56) **References Cited**

U.S. PATENT DOCUMENTS

D. 428,172 * 7/2000 Yuen D26/38

1 Claim, 3 Drawing Sheets



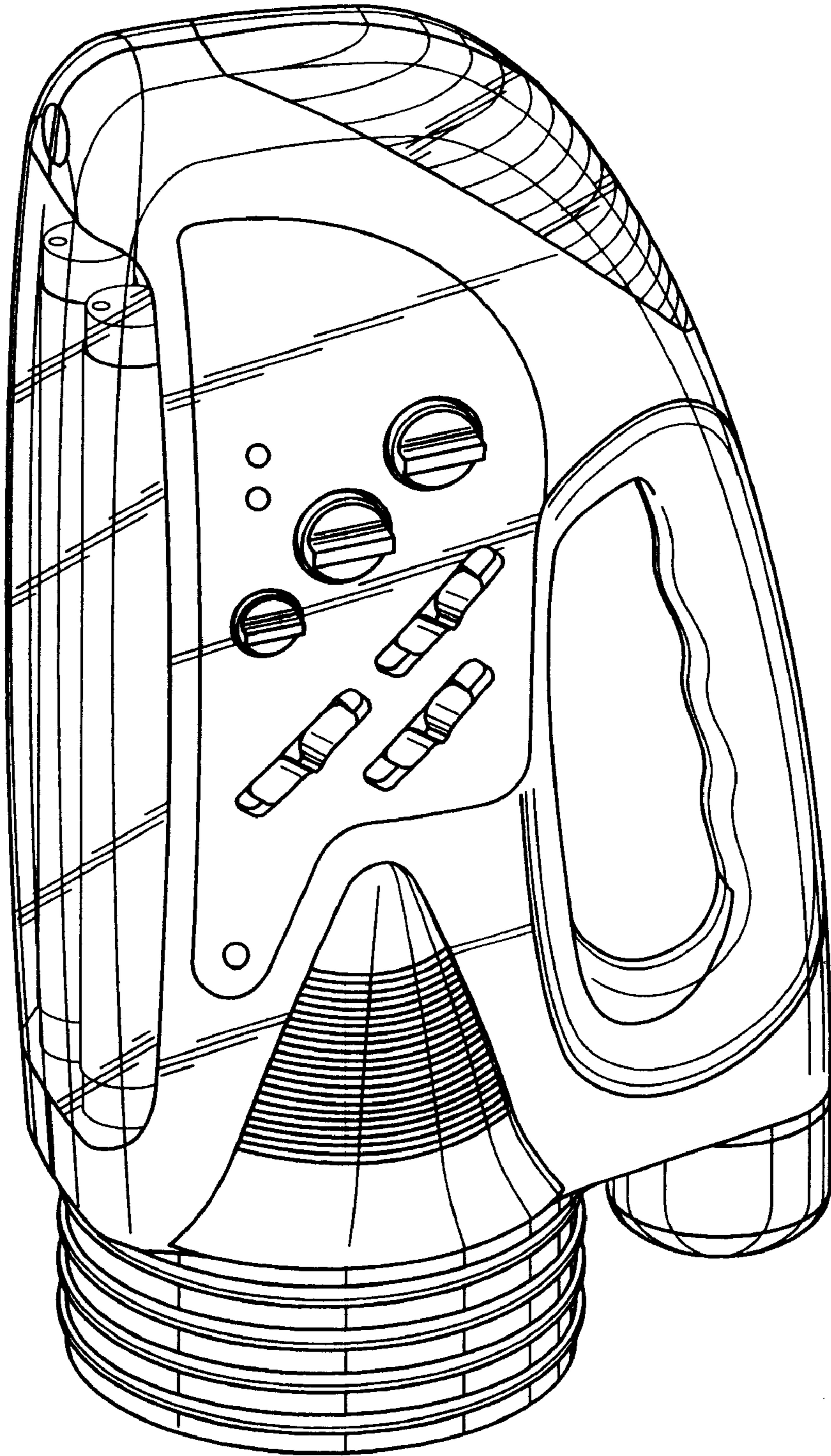


FIG. 1

FIG. 4

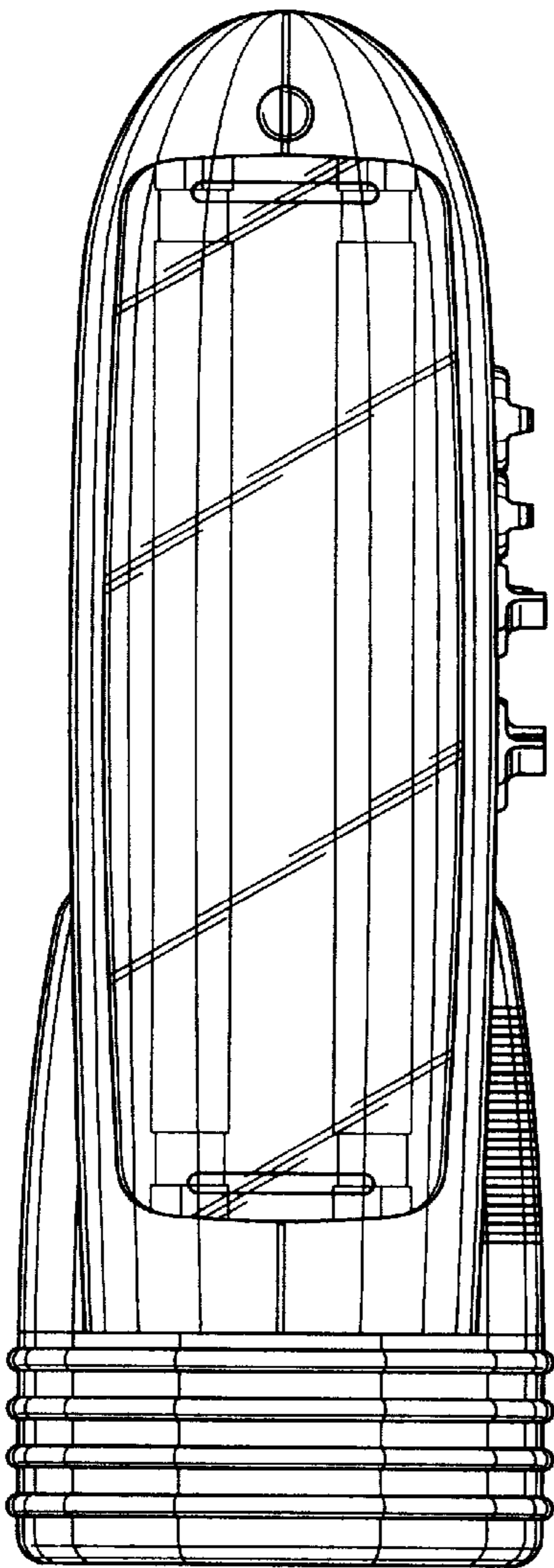
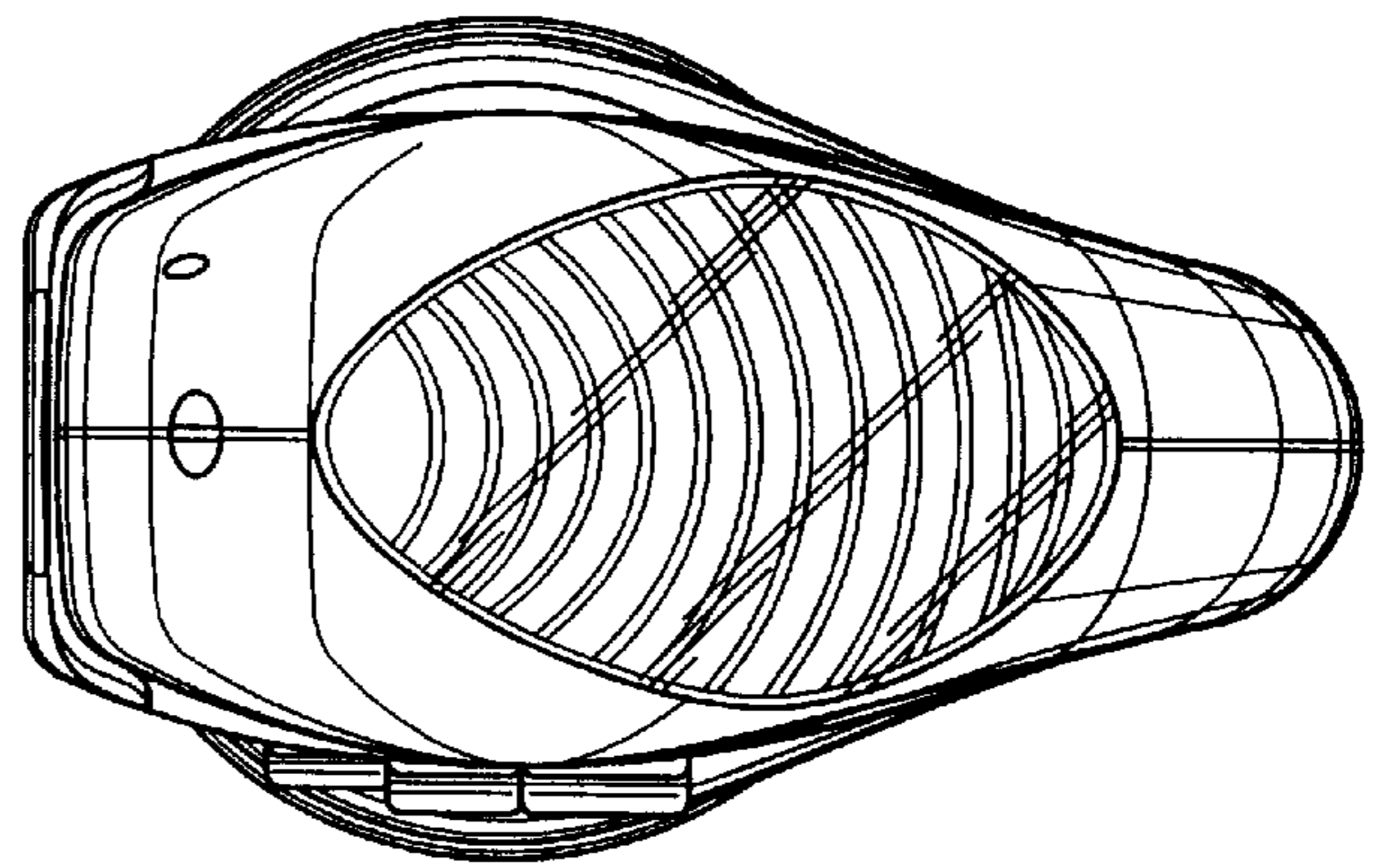


FIG. 3

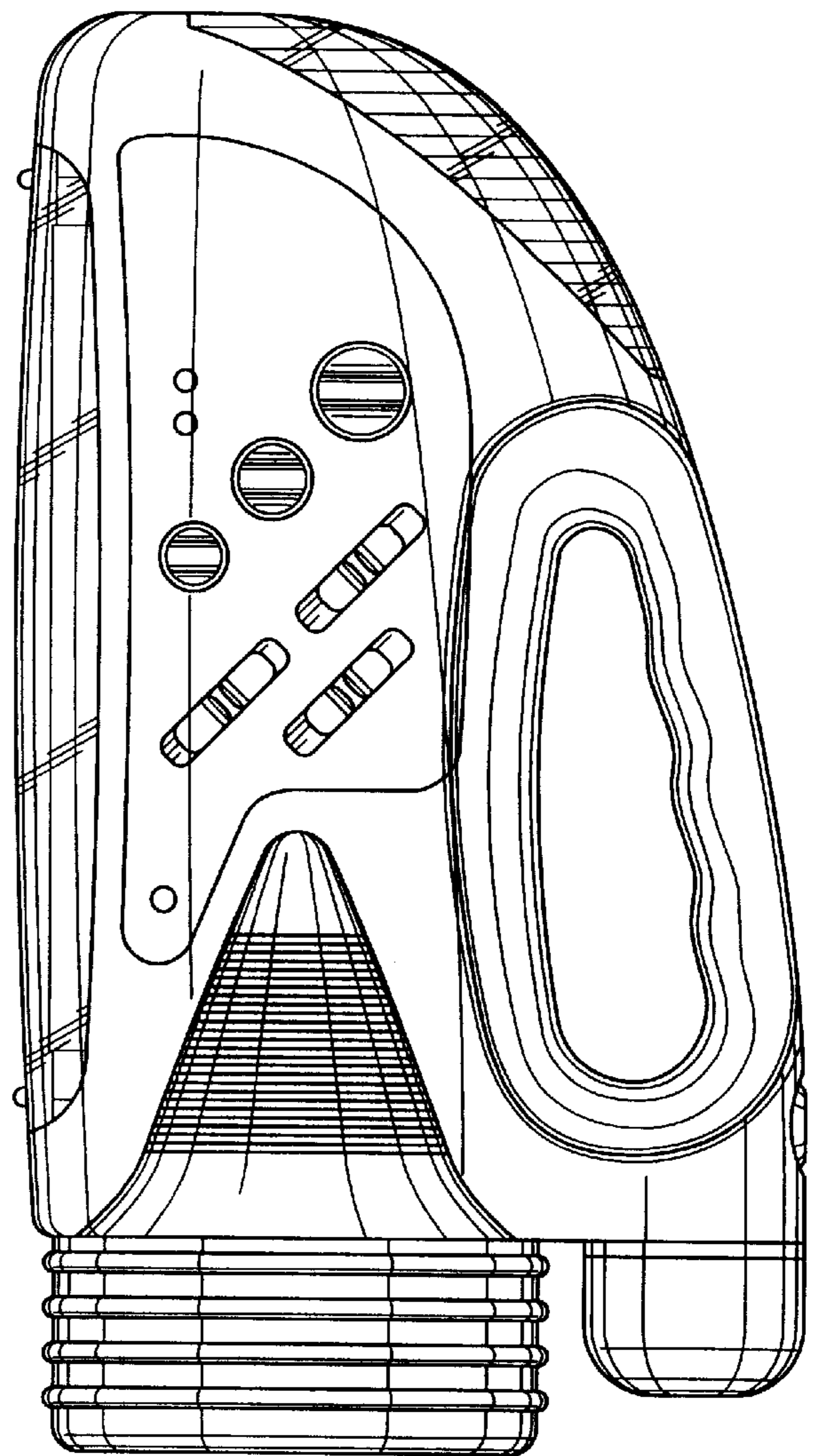


FIG. 2

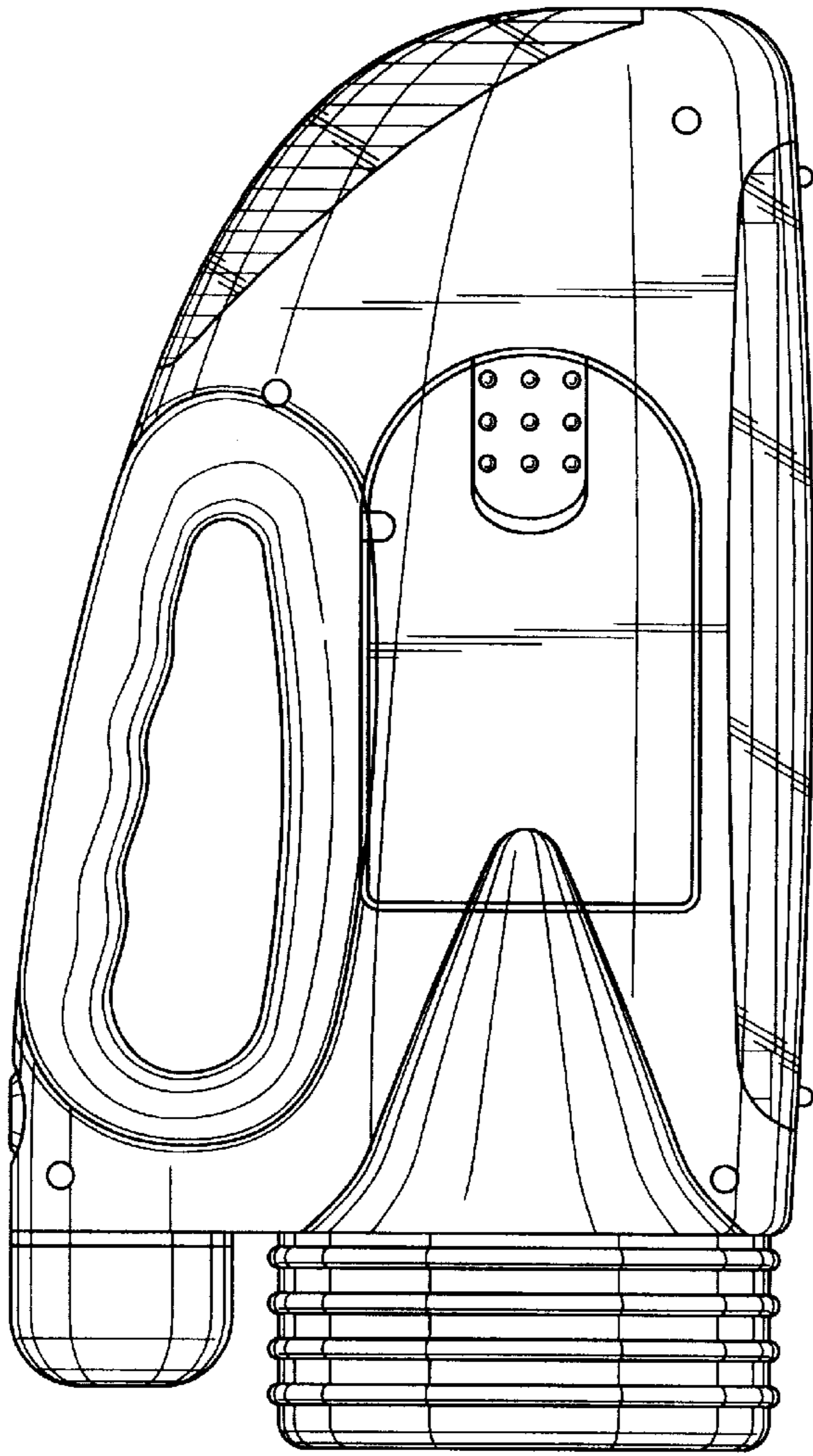


FIG. 5

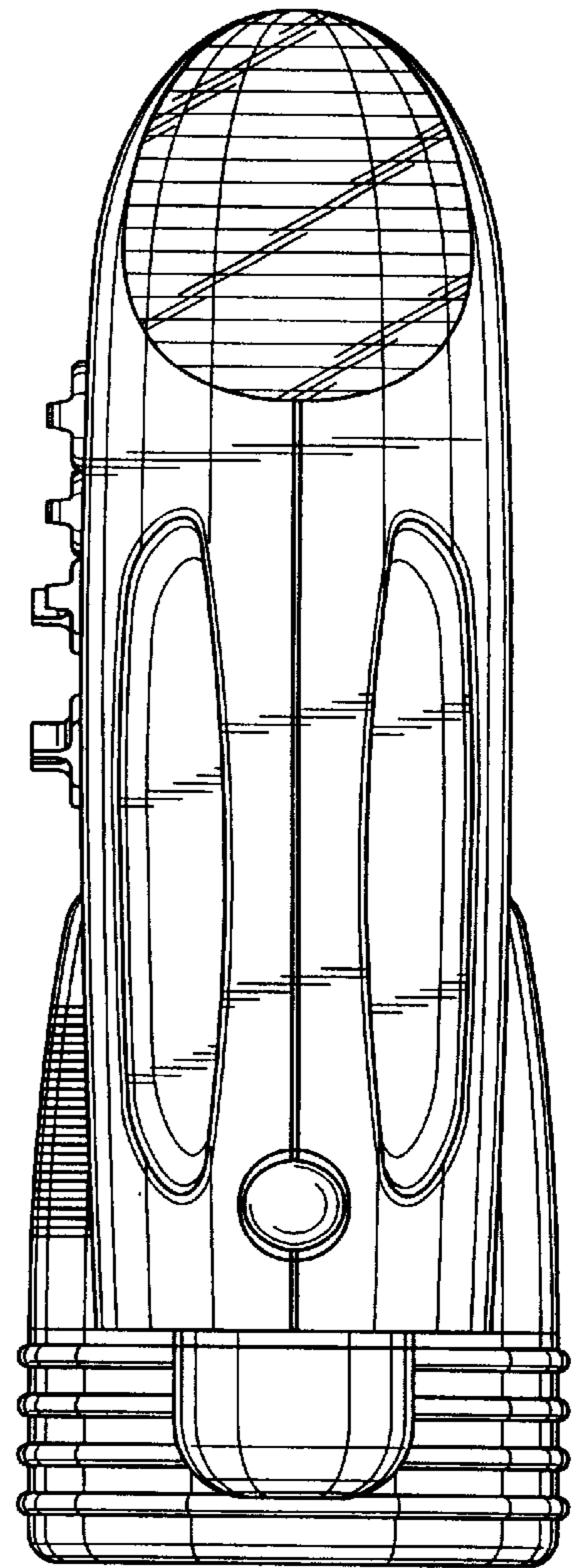


FIG. 6

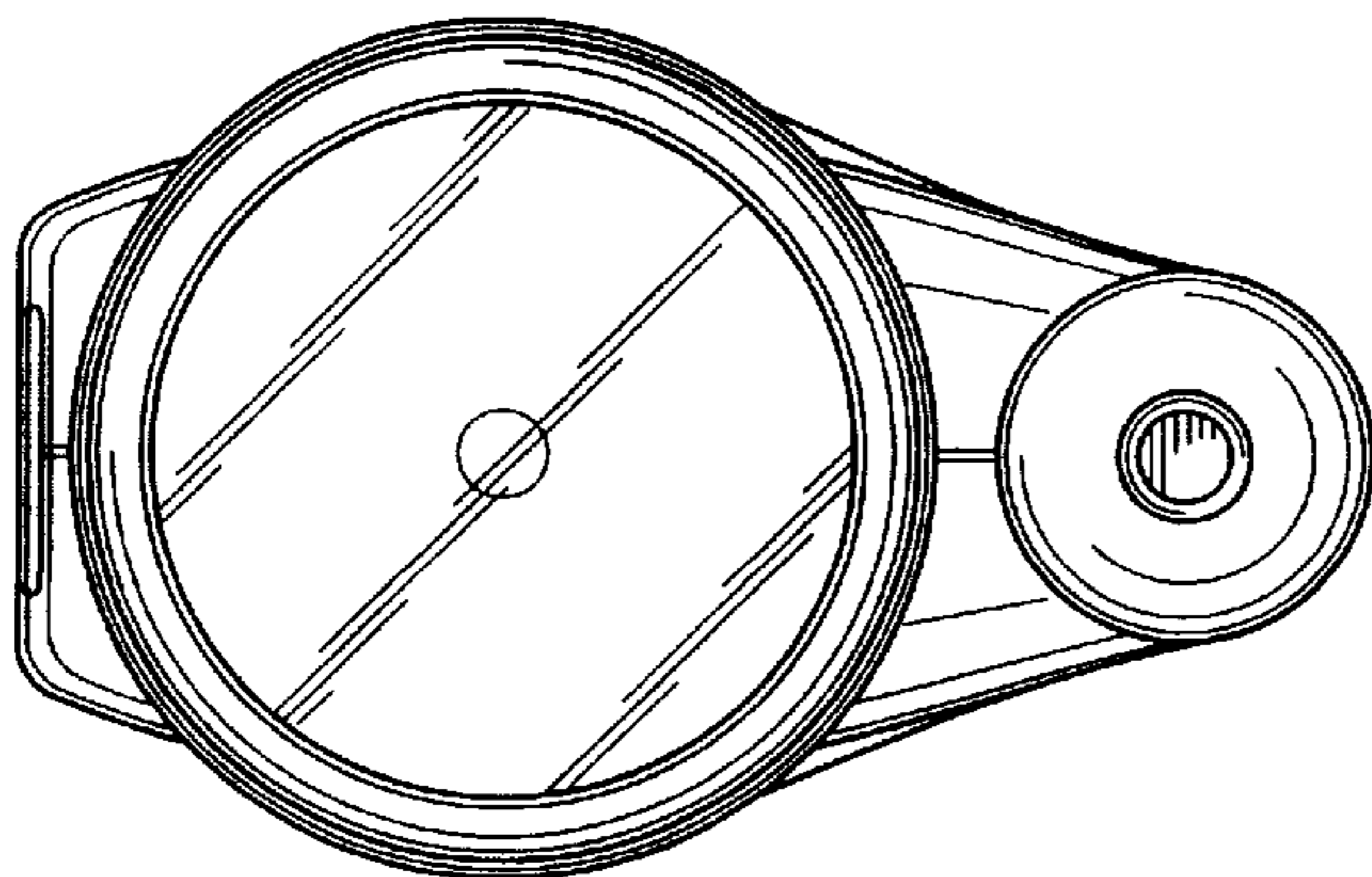


FIG. 7