



US00D441109S

(12) **United States Design Patent** (10) **Patent No.:** **US D441,109 S**
Suzuki (45) **Date of Patent:** **** Apr. 24, 2001**

(54) **COMBINED PORTABLE TORCH AND KEY HOLDER**

(75) Inventor: **Hitoshi Suzuki**, Tokyo (JP)

(73) Assignee: **Hiromori Inc.**, Tokyo (JP)

(**) Term: **14 Years**

(21) Appl. No.: **29/101,066**

(22) Filed: **Feb. 24, 1999**

(30) **Foreign Application Priority Data**

Aug. 26, 1998	(JP)	10-24296
Aug. 26, 1998	(JP)	10-24297
Aug. 26, 1998	(JP)	10-24298

(51) **LOC (7) Cl.** **26-02**

(52) **U.S. Cl.** **D26/38**

(58) **Field of Search** D26/37-50; 362/86,
362/87, 183-208

(56) **References Cited**

U.S. PATENT DOCUMENTS

D. 304,130	*	10/1989	Song	D3/63
D. 308,759	*	6/1990	Zui	D3/63
D. 400,326	*	10/1998	Fisher	D26/38
1,972,879	*	9/1934	Flintermann	D26/38
2,114,266	*	4/1938	Boador	D26/38
2,412,056	*	12/1946	Mosch	362/116
2,547,816	*	4/1951	Duncan	D26/38
2,694,772	*	11/1954	Gelardin	362/189
5,487,291	*	1/1996	Voigt	70/456 R

* cited by examiner

Primary Examiner—Marcus A. Jackson

(74) *Attorney, Agent, or Firm*—Dilworth & Barrese

(57) **CLAIM**

The ornamental design for a combined portable torch and key holder, as shown and described.

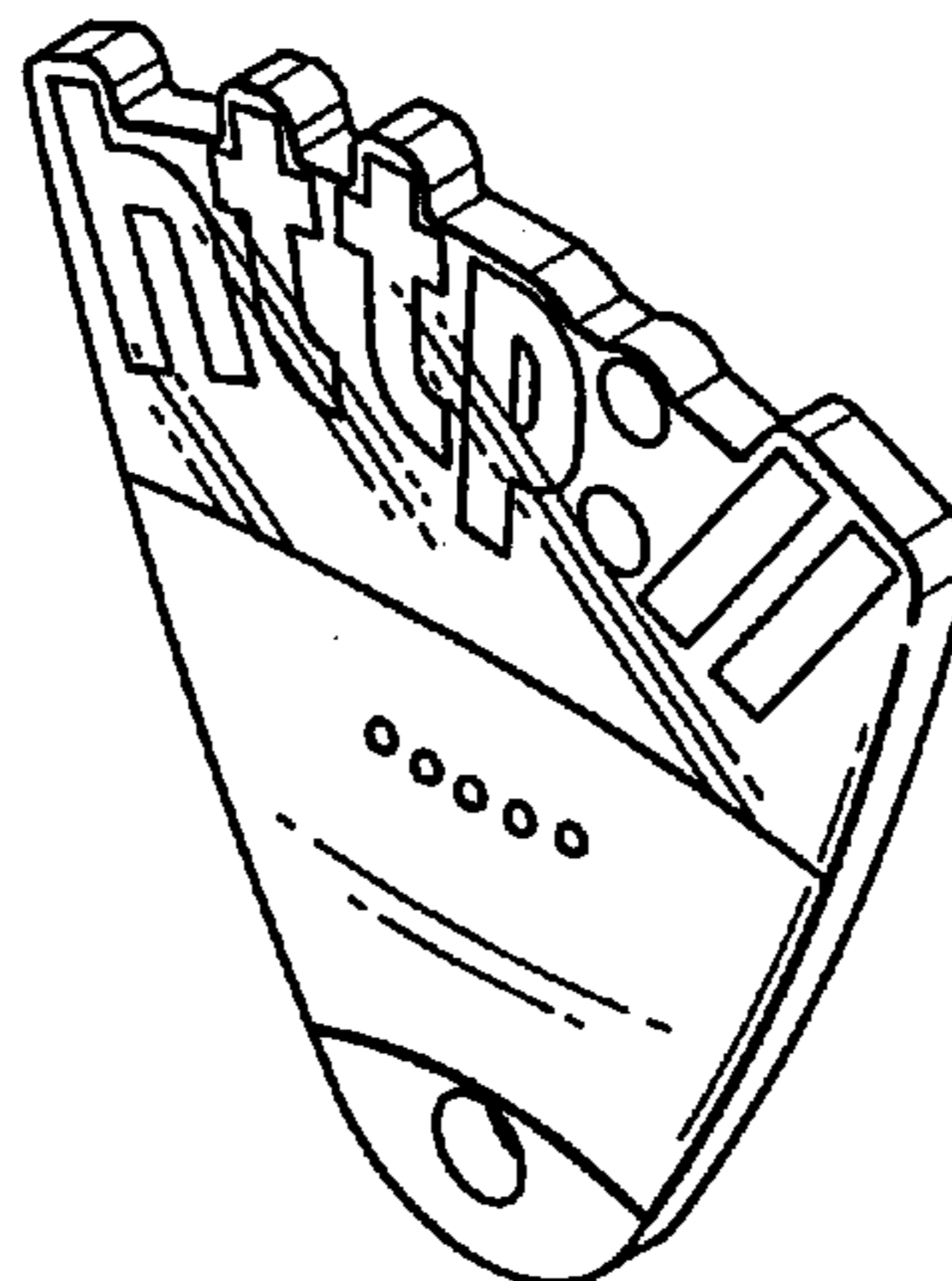
DESCRIPTION

FIG. 1 is a perspective view of a first embodiment of a combined portable torch and key holder showing my new design;

FIG. 2 is a top plan view thereof;
 FIG. 3 is a left side elevational view thereof;
 FIG. 4 is a front elevational view thereof;
 FIG. 5 is a right side elevational view thereof;
 FIG. 6 is a bottom plan view thereof;
 FIG. 7 is a rear elevational view thereof;
 FIG. 8 is a front elevational view thereof, illustrating use as a key holder;
 FIG. 9 is a perspective view of a second embodiment of a combined portable torch and key holder showing my new design;
 FIG. 10 is a top plan view thereof;
 FIG. 11 is a left side elevational view thereof;
 FIG. 12 is a front elevational view thereof;
 FIG. 13 is a right side elevational view thereof;
 FIG. 14 is a bottom plan thereof;
 FIG. 15 is a rear elevational view thereof;
 FIG. 16 is a front elevational view thereof, illustrating use as a key holder;
 FIG. 17 is a perspective view of a third embodiment of a combined portable torch and key holder showing my new design;
 FIG. 18 is a top plan view thereof;
 FIG. 19 is a left side elevational view thereof;
 FIG. 20 is a front elevational view of thereof;
 FIG. 21 is a right side elevational view thereof;
 FIG. 22 is a bottom plan view thereof;
 FIG. 23 is a rear elevational view thereof; and,
 FIG. 24 is a front elevational view thereof, illustrating use as a key holder.

The top portions of the drawings have been shaded in all embodiments to illustrate translucency of translucent parts. As illustrated in FIGS. 8, 16 and 24, the inventive design can be utilized on a key holder by attaching a chain through the requisite opening at the bottom thereof (the opposite end of the chain can be attached, e.g., to clothing or a bag).

1 Claim, 6 Drawing Sheets



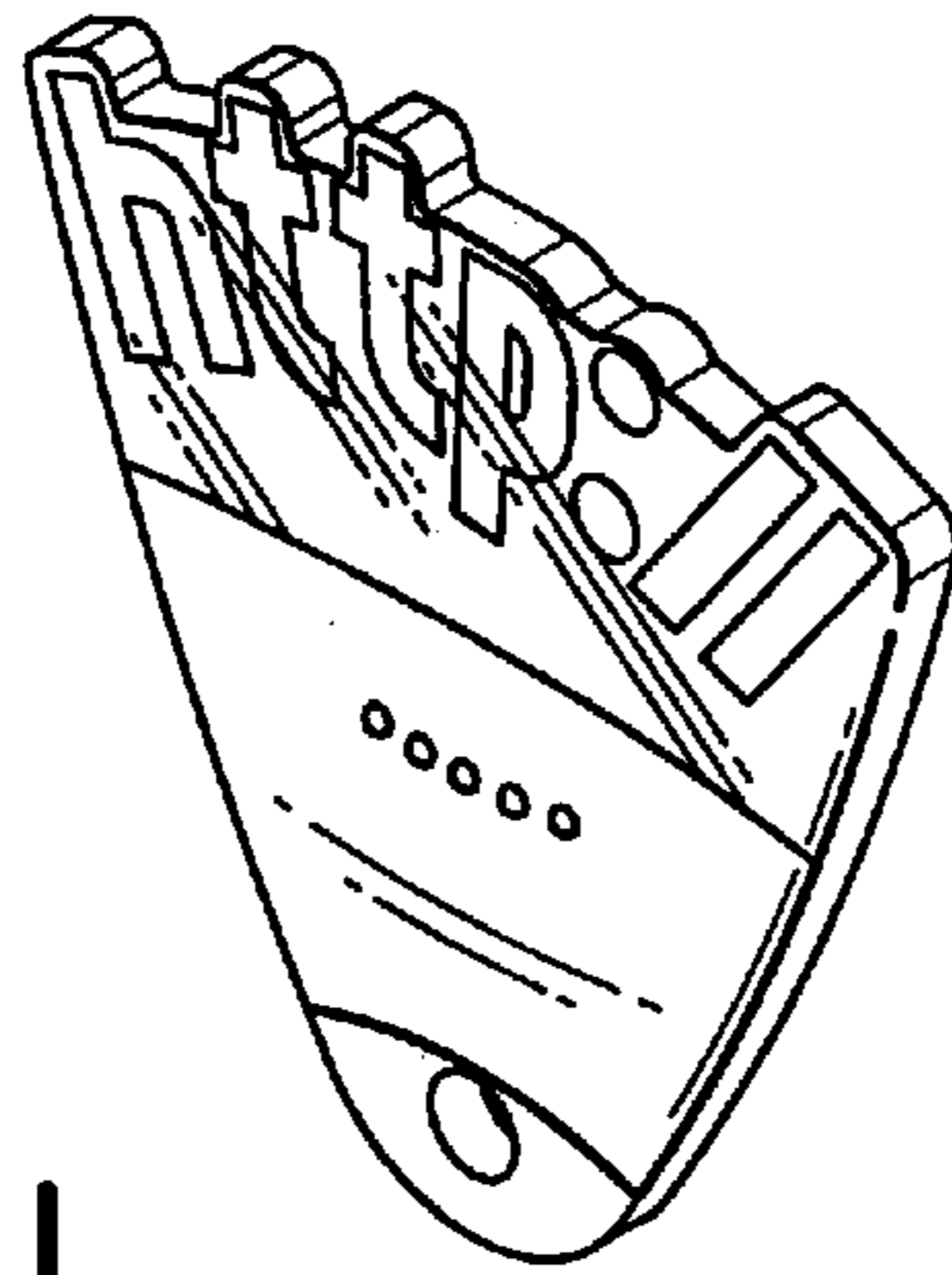


FIG. 1



FIG. 2



FIG. 3

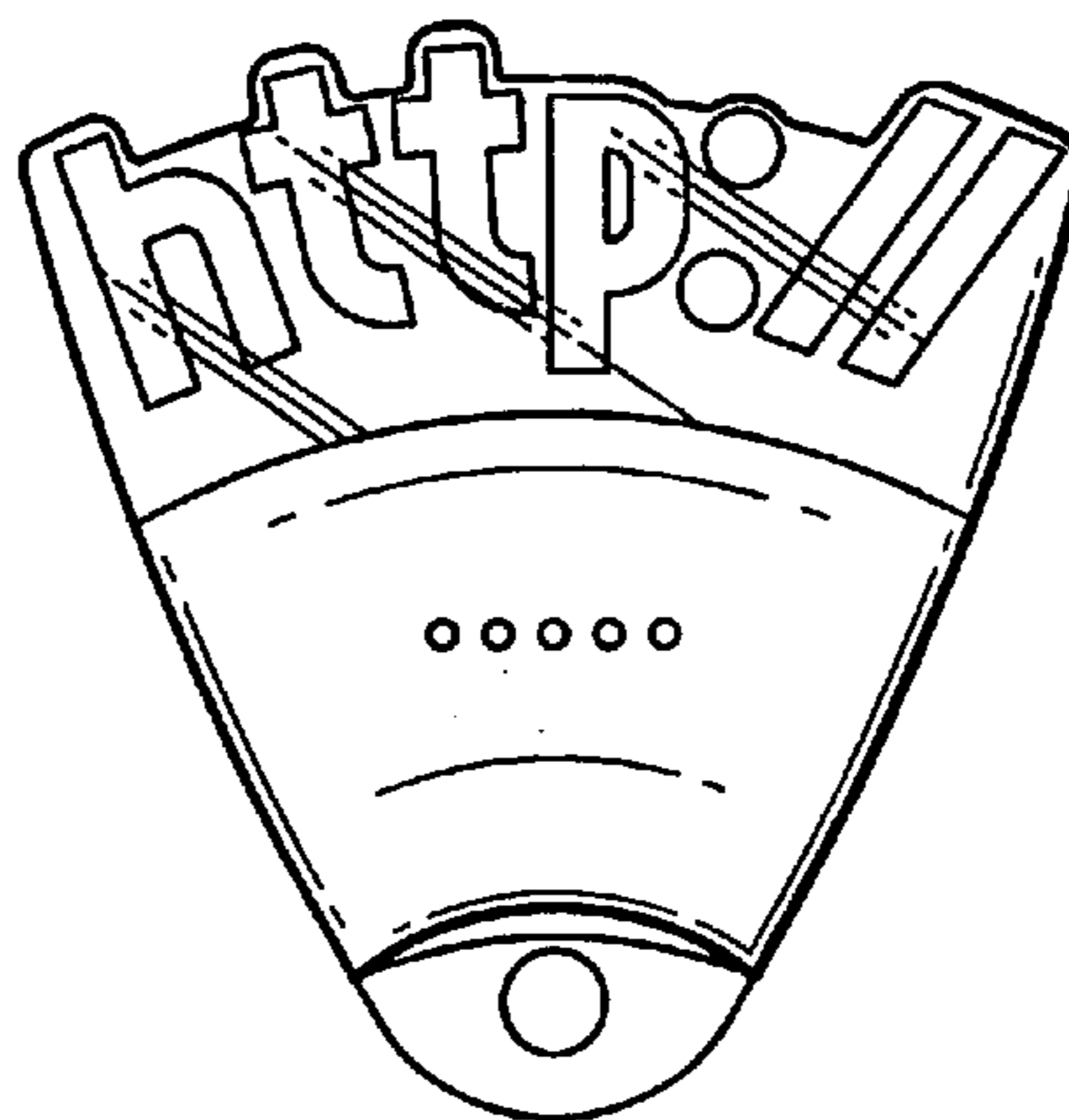


FIG. 4



FIG. 5



FIG. 6

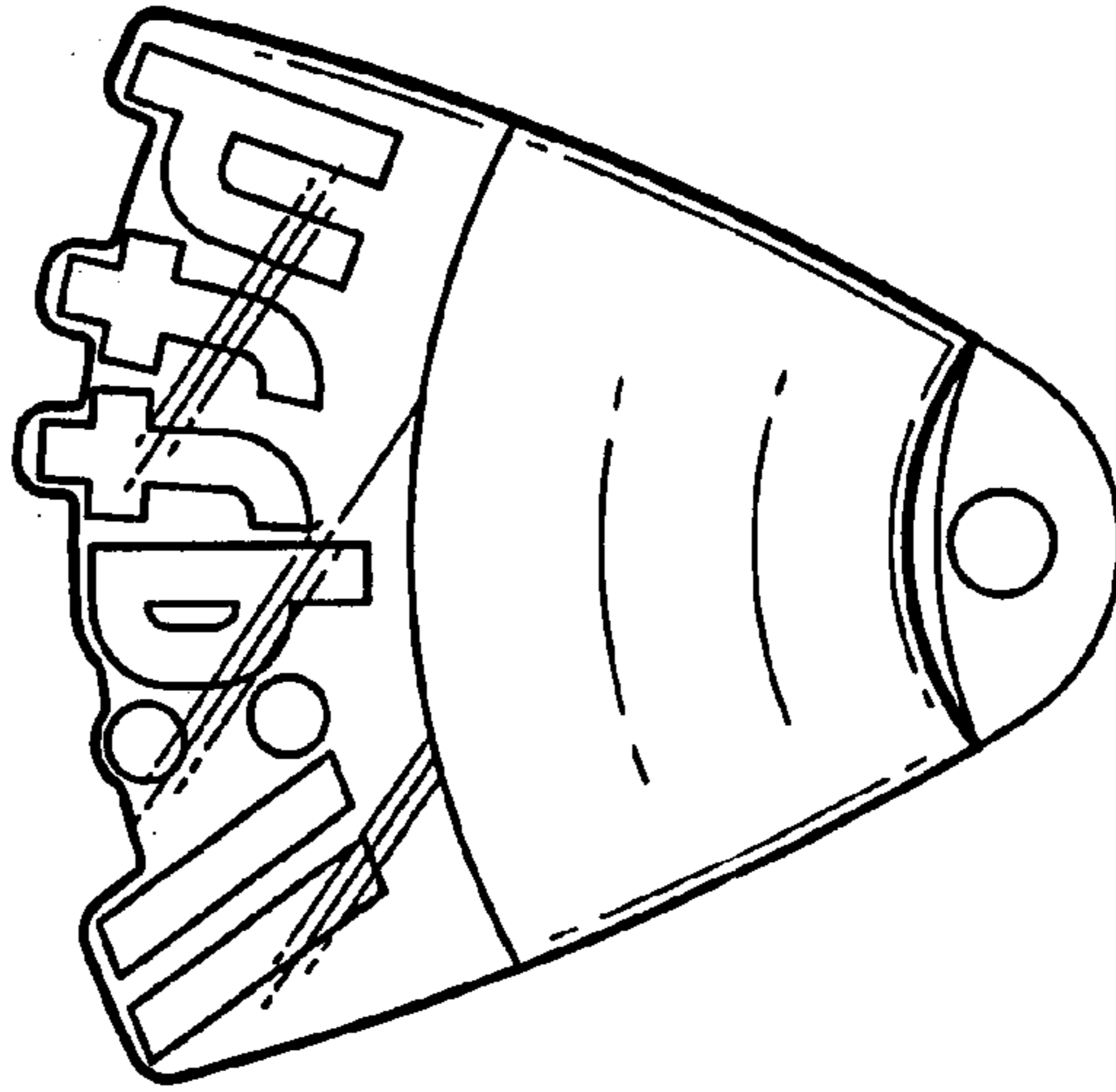


FIG. 7

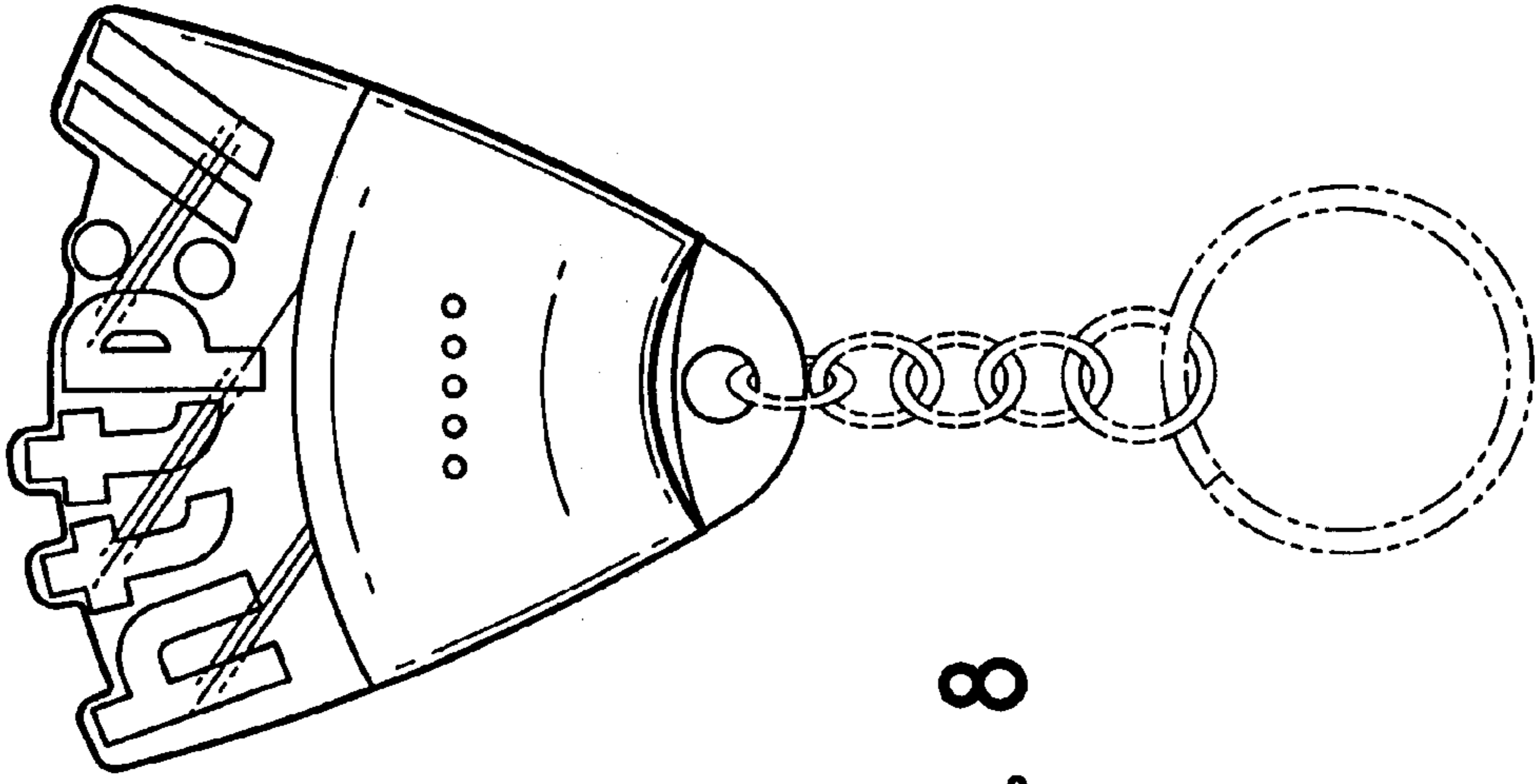


FIG. 8

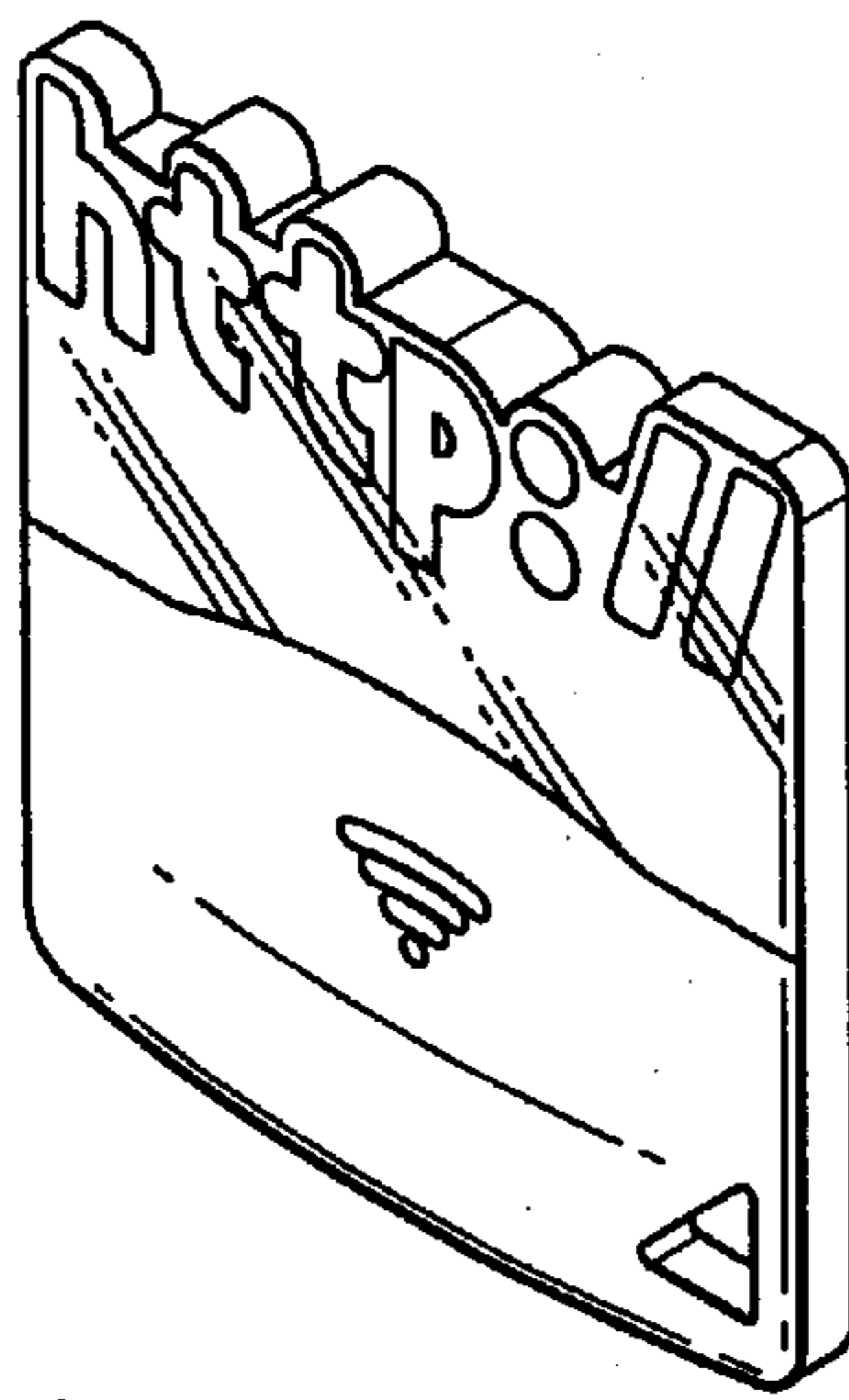


FIG. 9



FIG. 10



FIG. 11

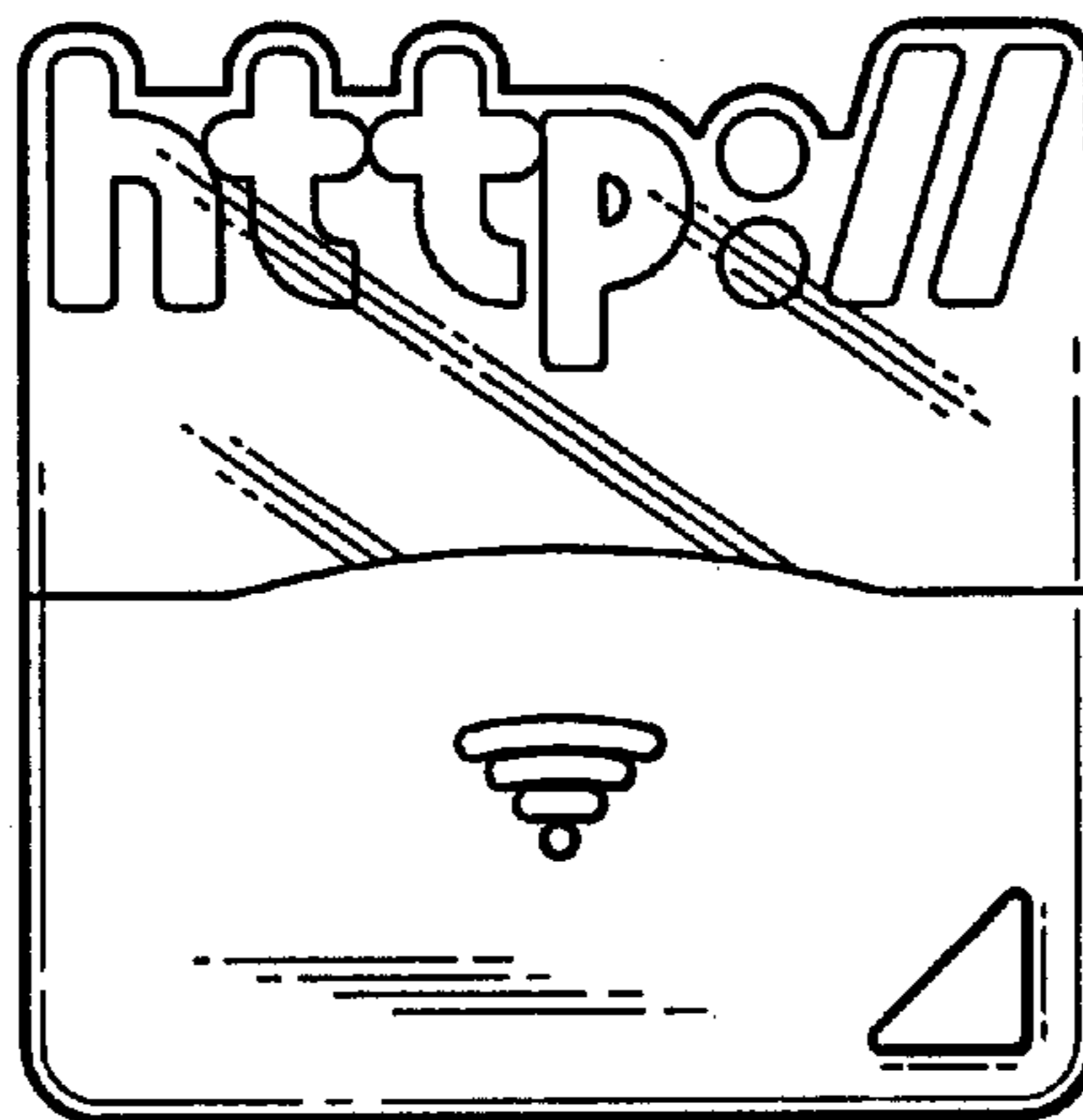


FIG. 12



FIG. 13

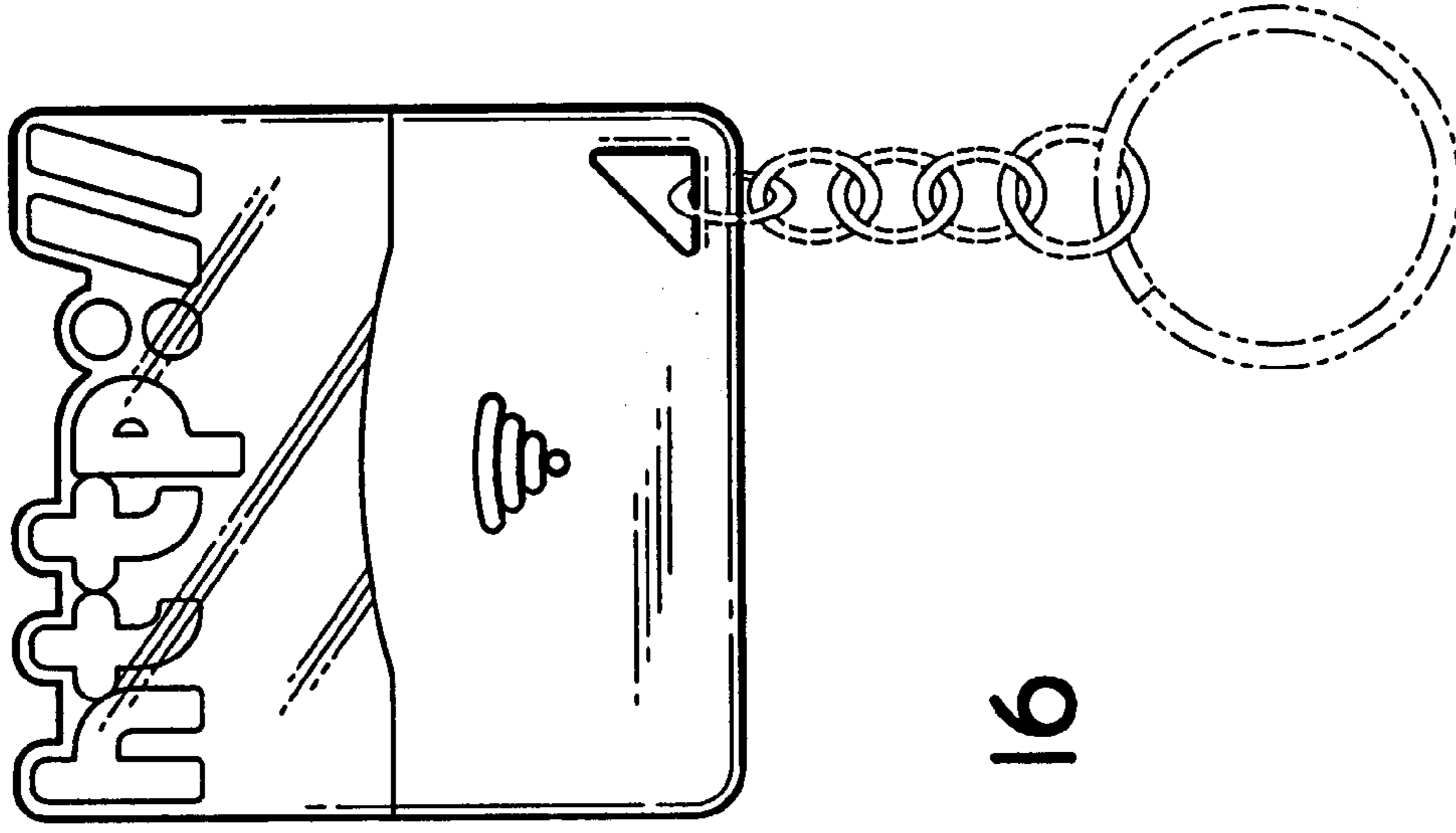


FIG. 16



FIG. 14

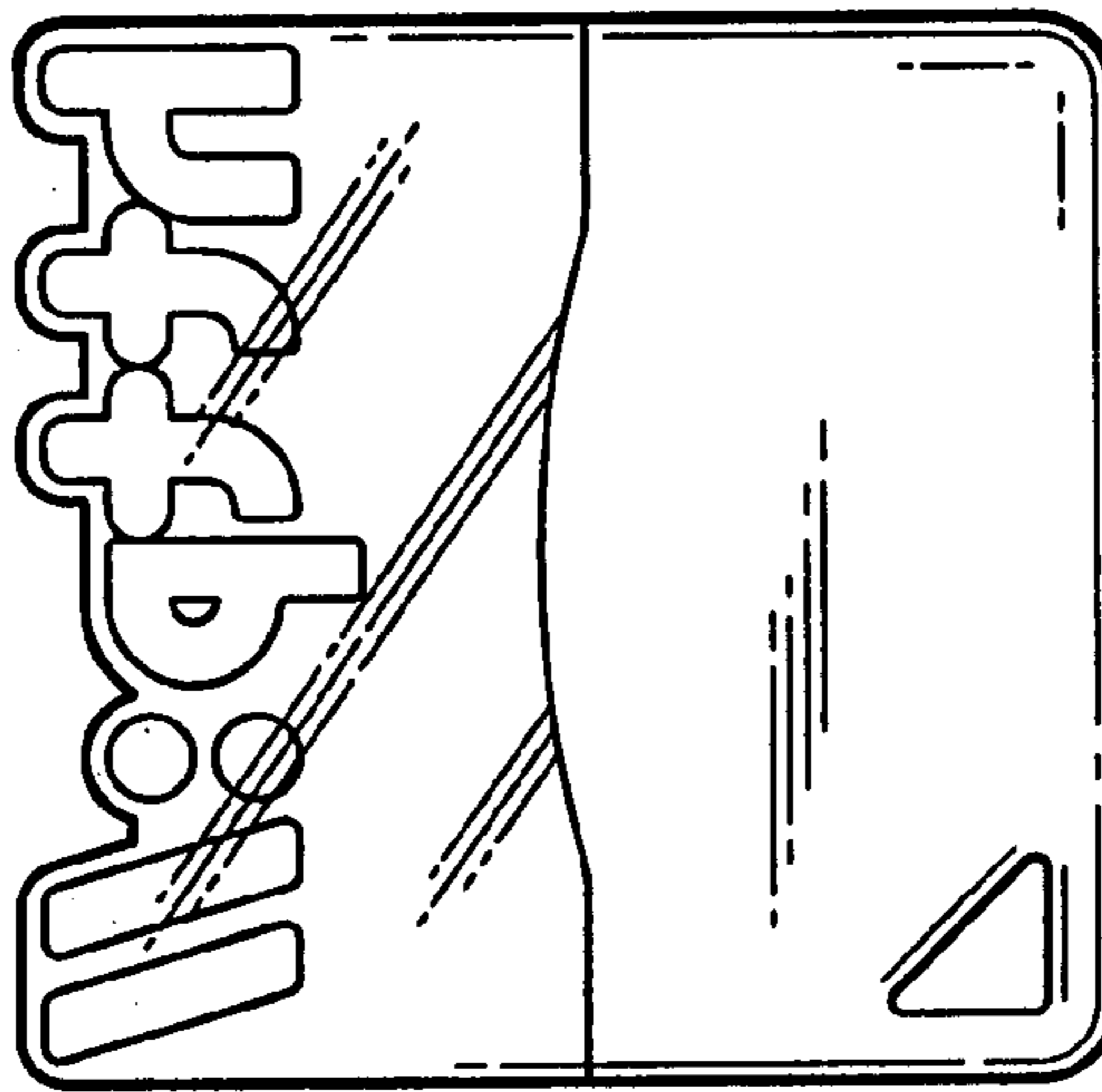


FIG. 15

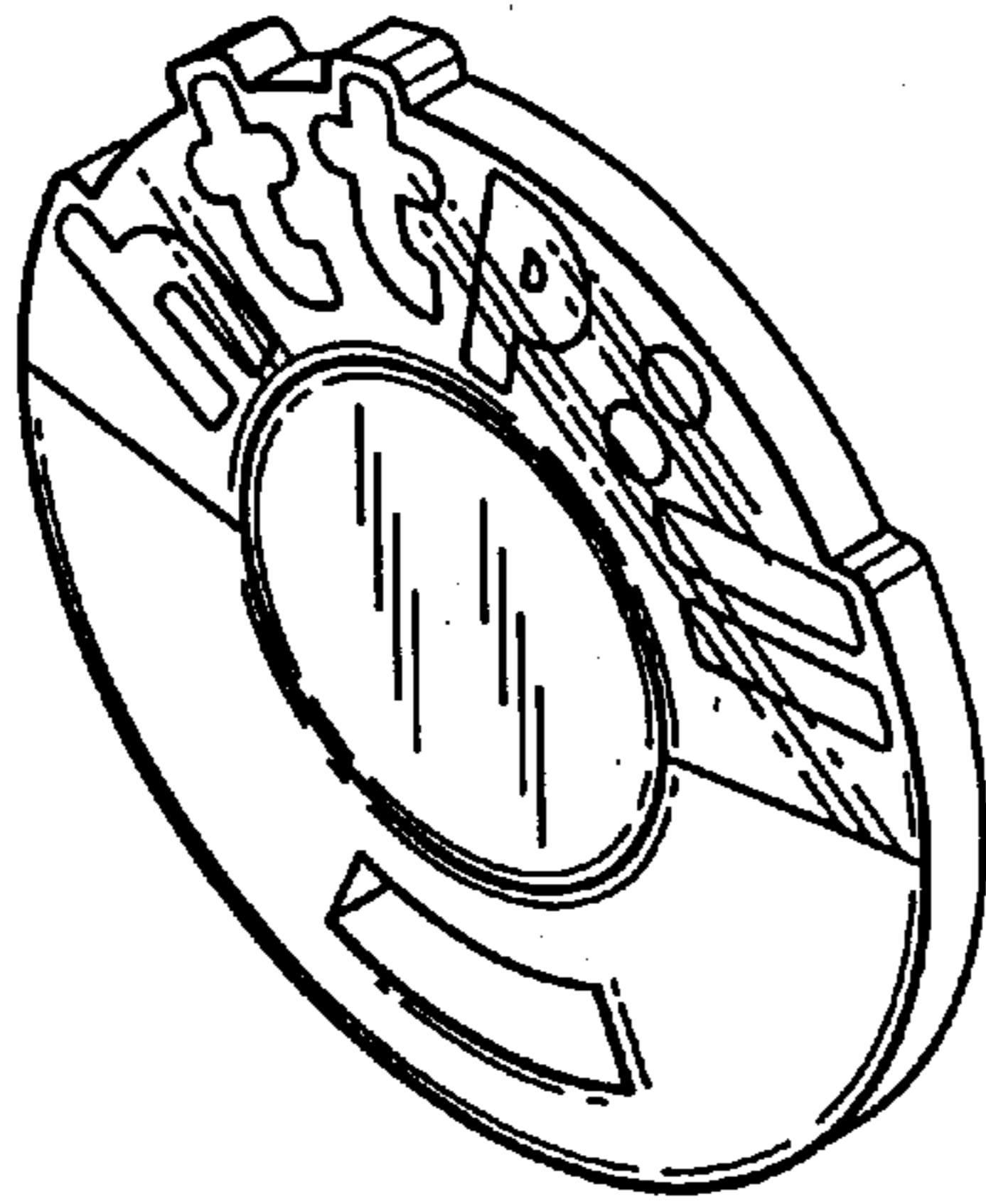


FIG. 17



FIG. 18



FIG. 19

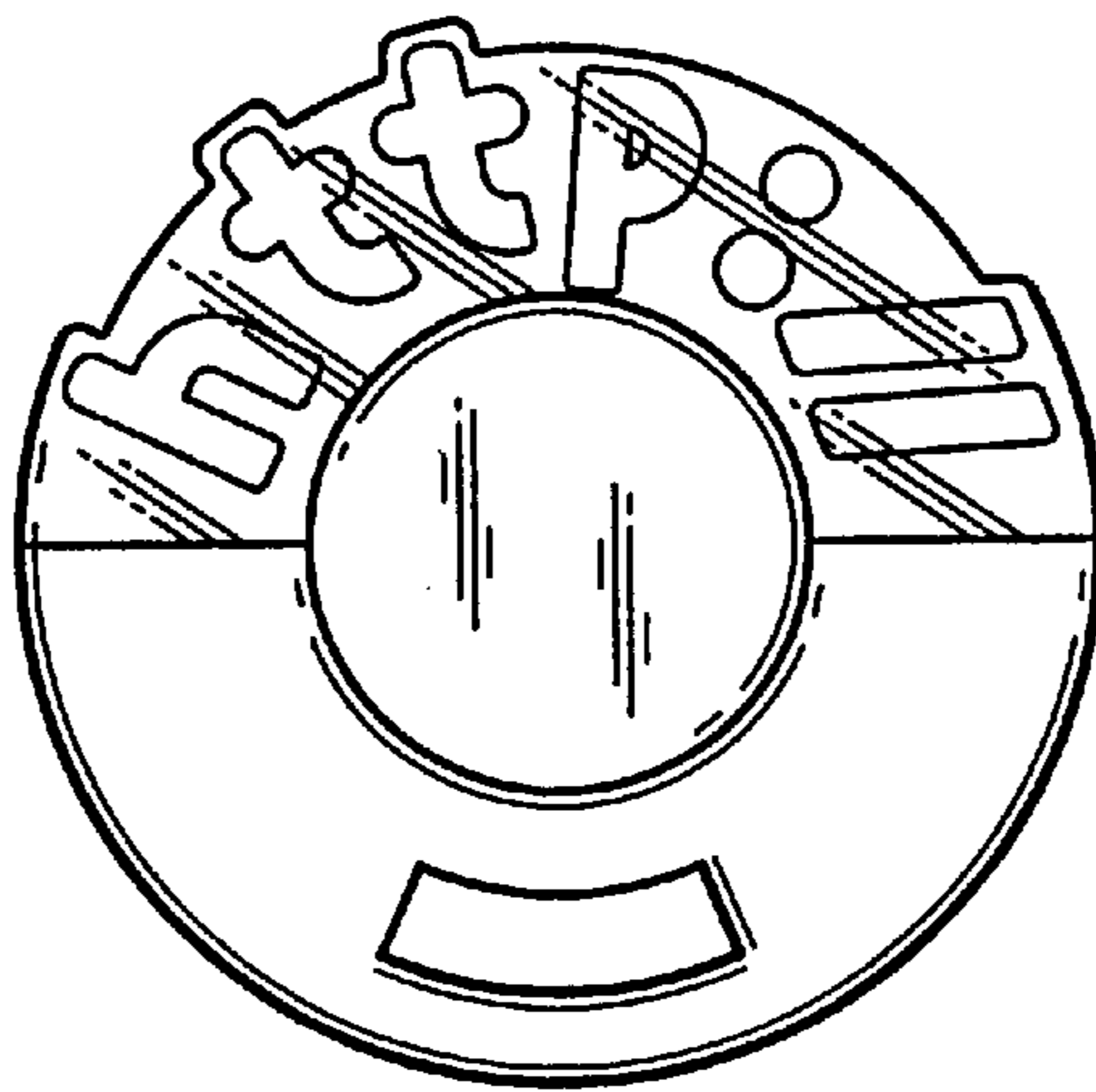


FIG. 20



FIG. 21



FIG. 22

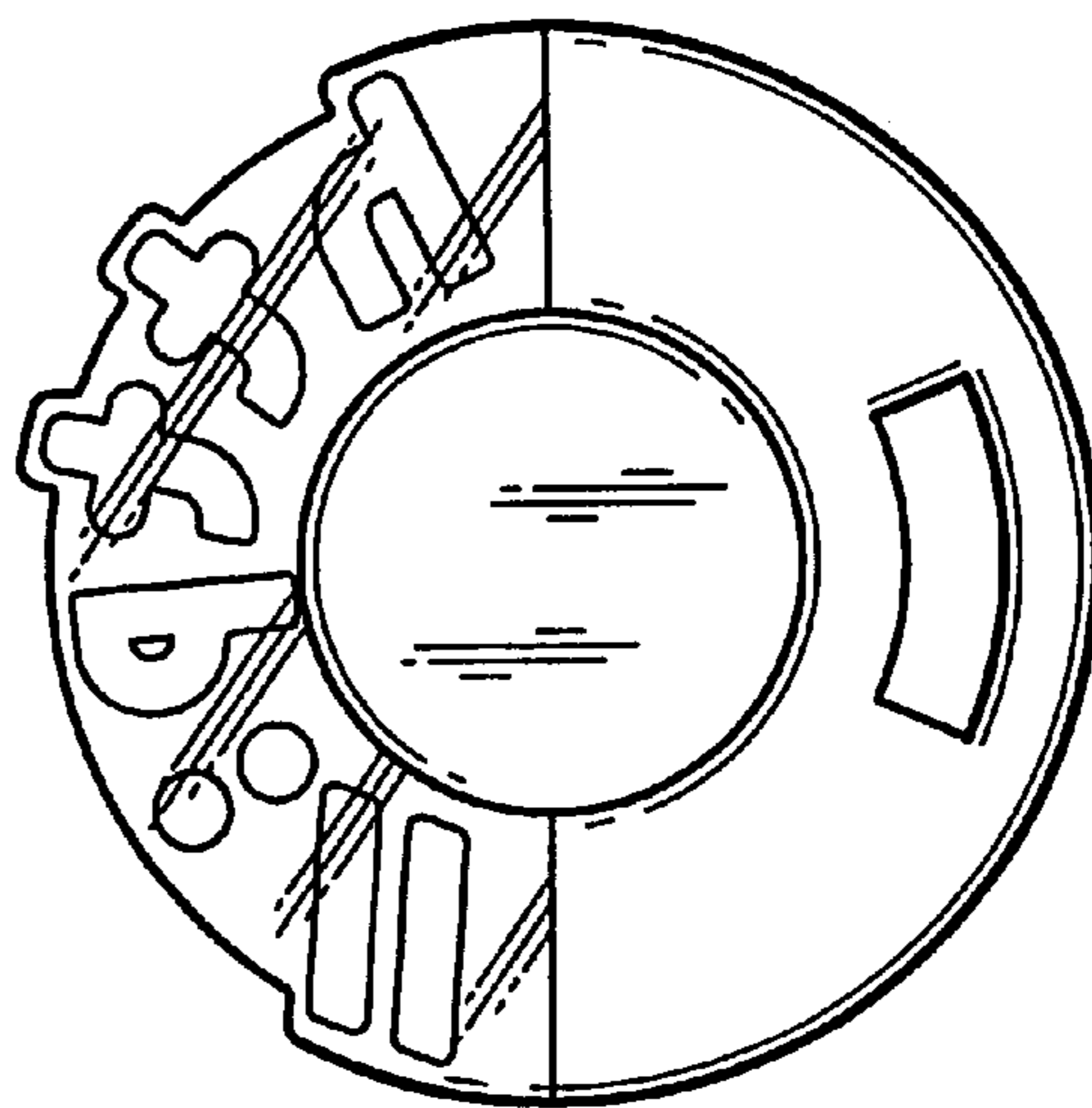


FIG. 23

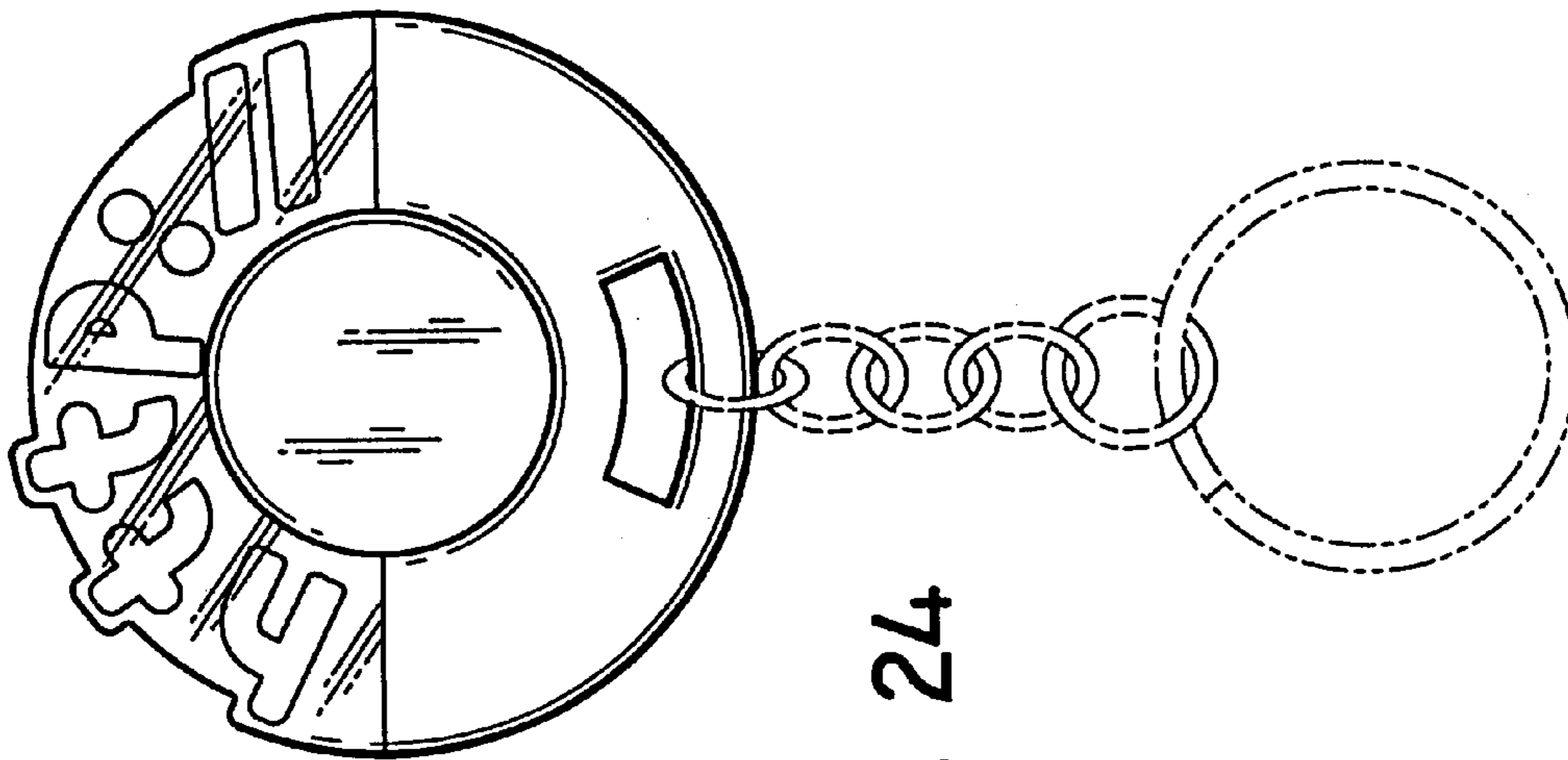


FIG. 24