



US00D441108S

(12) **United States Design Patent**
Poon

(10) **Patent No.:** **US D441,108 S**

(45) **Date of Patent:** **** Apr. 24, 2001**

(54) **EXTENDABLE LAMP**

(75) Inventor: **Tit Wing Poon**, Shatin (CN)

(73) Assignee: **Flying Dragon Development Ltd.**,
Hong Kong (CN)

(**) Term: **14 Years**

(21) Appl. No.: **29/129,544**

(22) Filed: **Sep. 15, 2000**

(51) **LOC (7) Cl.** **26-02**

(52) **U.S. Cl.** **D26/37**

(58) **Field of Search** **D26/37-50; 362/157,**
362/158, 171, 183-208

(56) **References Cited**

U.S. PATENT DOCUMENTS

D. 416,343 * 11/1999 Dalton et al. D26/37

* cited by examiner

Primary Examiner—Marcus A. Jackson

(74) *Attorney, Agent, or Firm*—Alix, Yale & Ristas, LLP

(57) **CLAIM**

The ornamental design for an extendable lamp, as shown and described.

DESCRIPTION

FIG. 1 is a front perspective view of the extendable lamp showing my new design;

FIG. 2 is a front perspective view in an extended position of the extendable lamp of FIG. 1;

FIG. 3 is a front view of the extendable lamp of FIG. 1;

FIG. 4 is a rear view of the extendable lamp of FIG. 1;

FIG. 5 is a left side view of the extendable lamp of FIG. 1;

FIG. 6 is a right side view of the extendable lamp of FIG. 1;

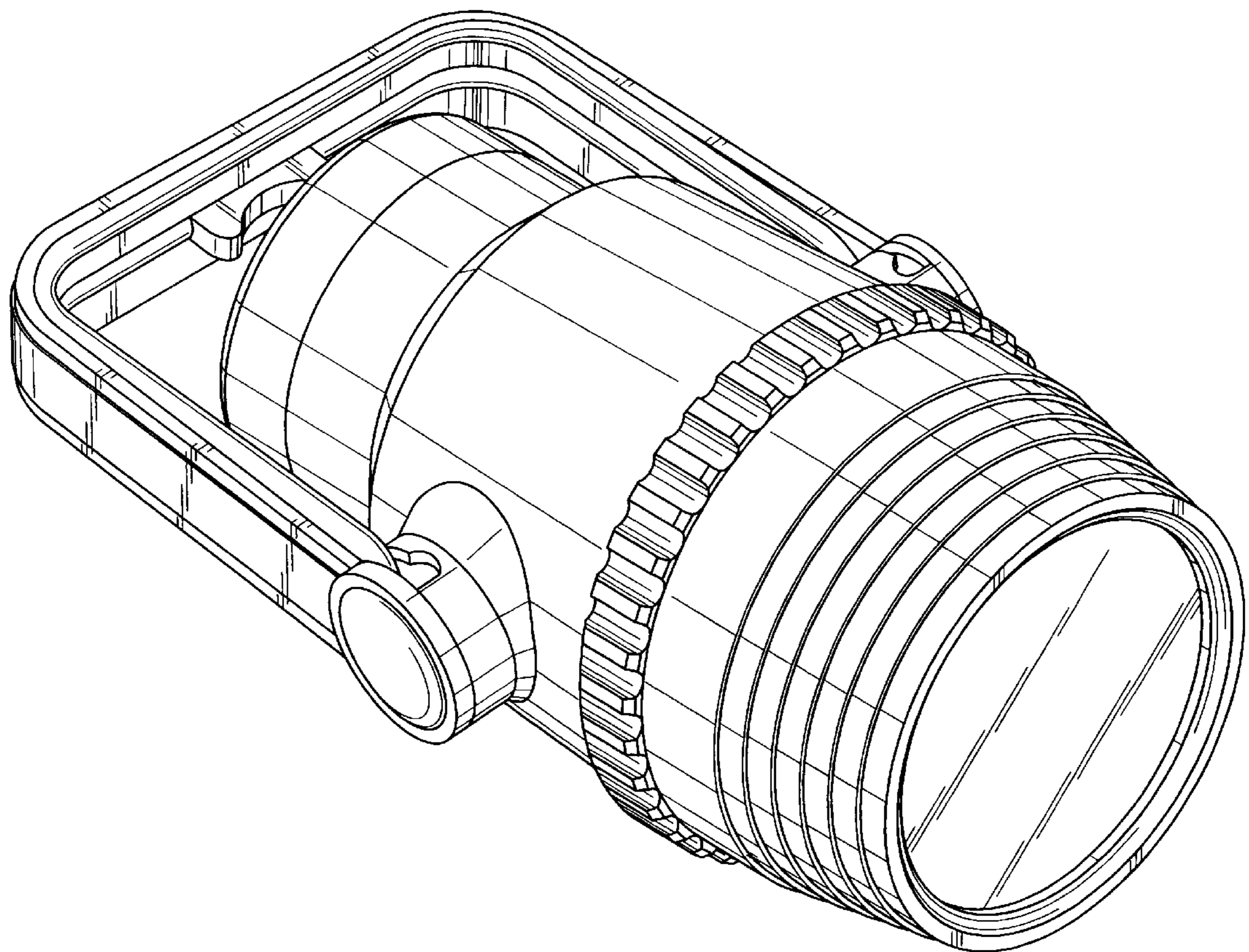
FIG. 7 is a top plan view of the extendable lamp of FIG. 1;

FIG. 8 is a bottom plan view of the extendable lamp of FIG. 1;

1; and,

FIG. 9 is a rear view of the extendable lamp of FIG. 1 with portions being shown in an alternative position.

1 Claim, 7 Drawing Sheets



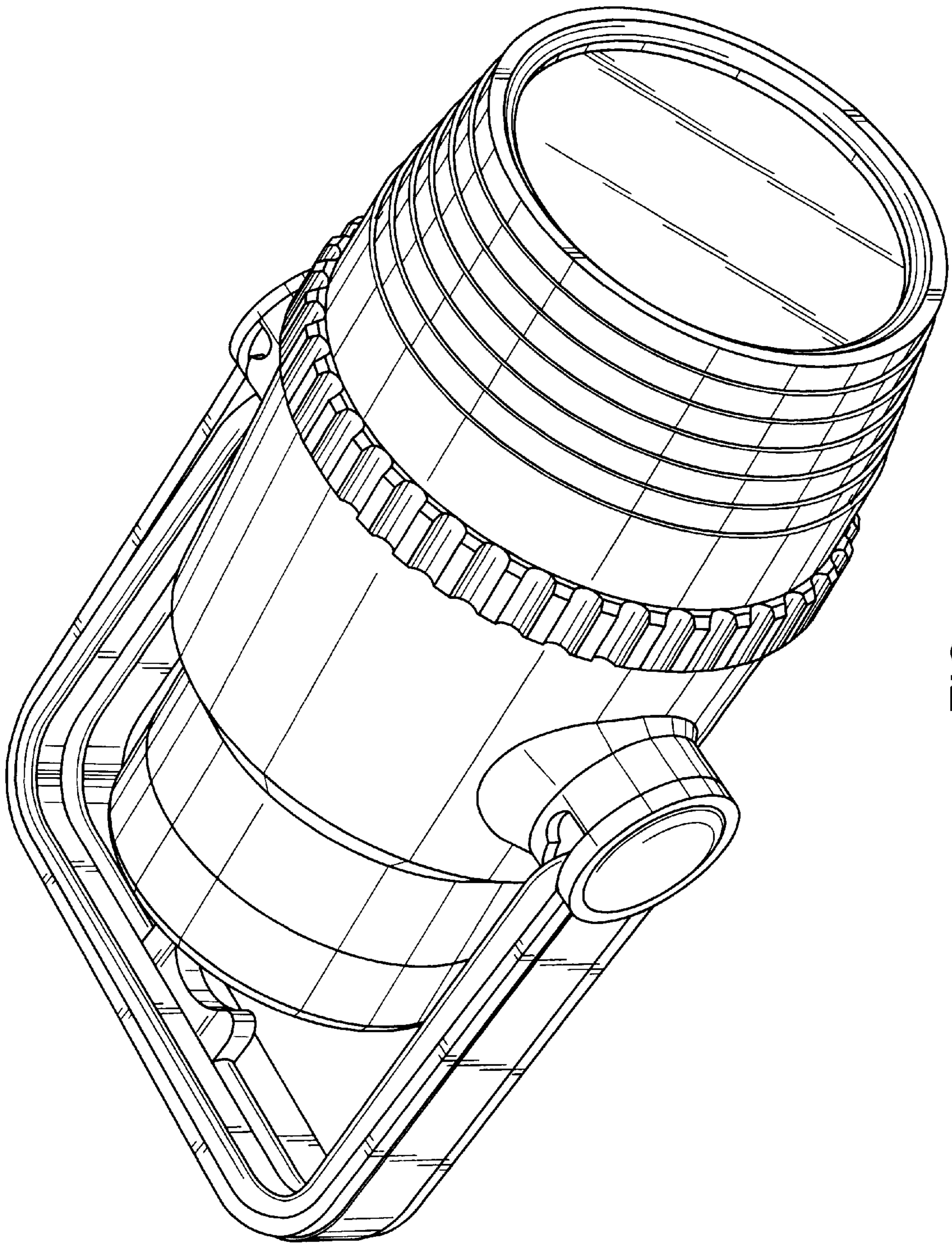


FIG. 1

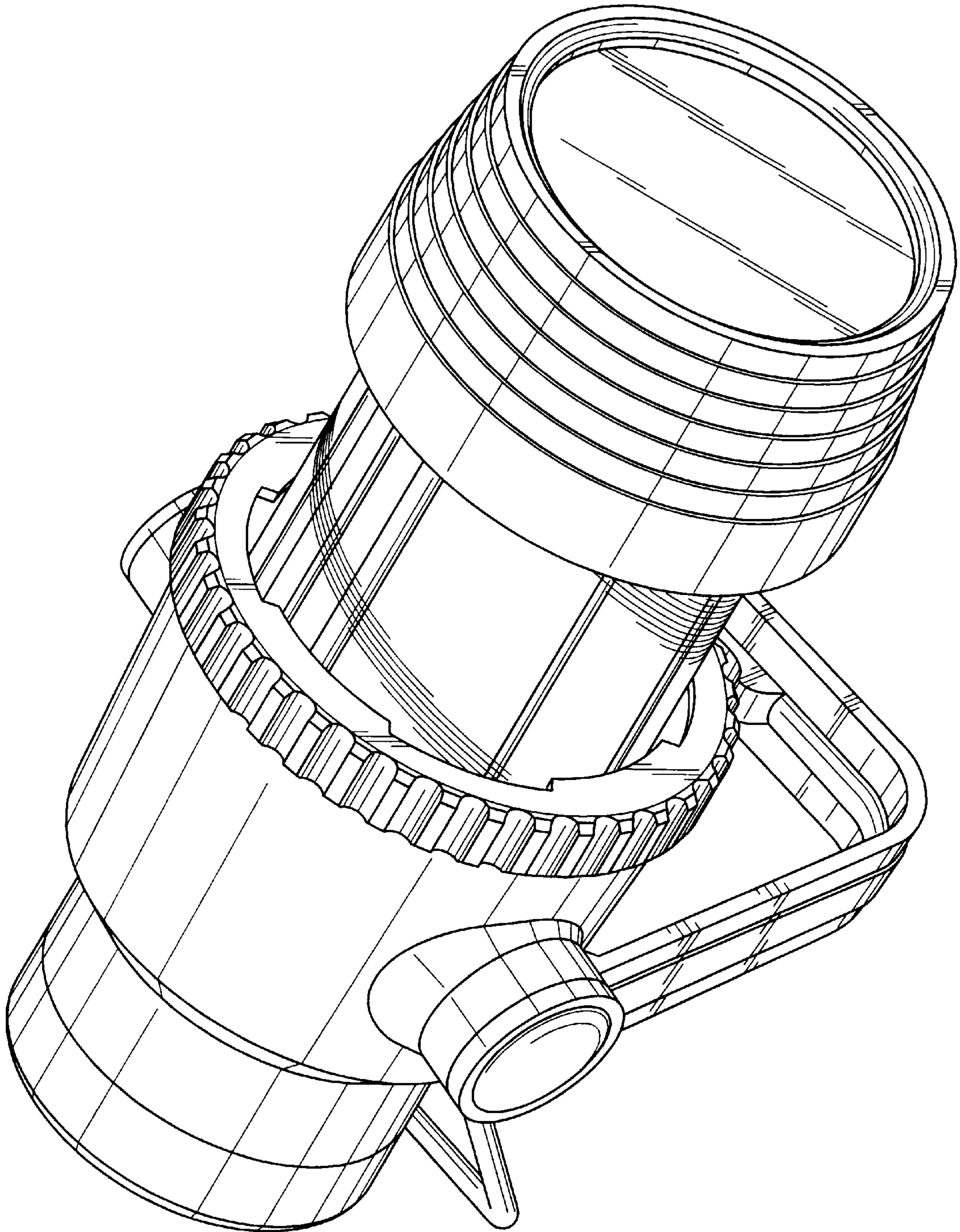


FIG. 2

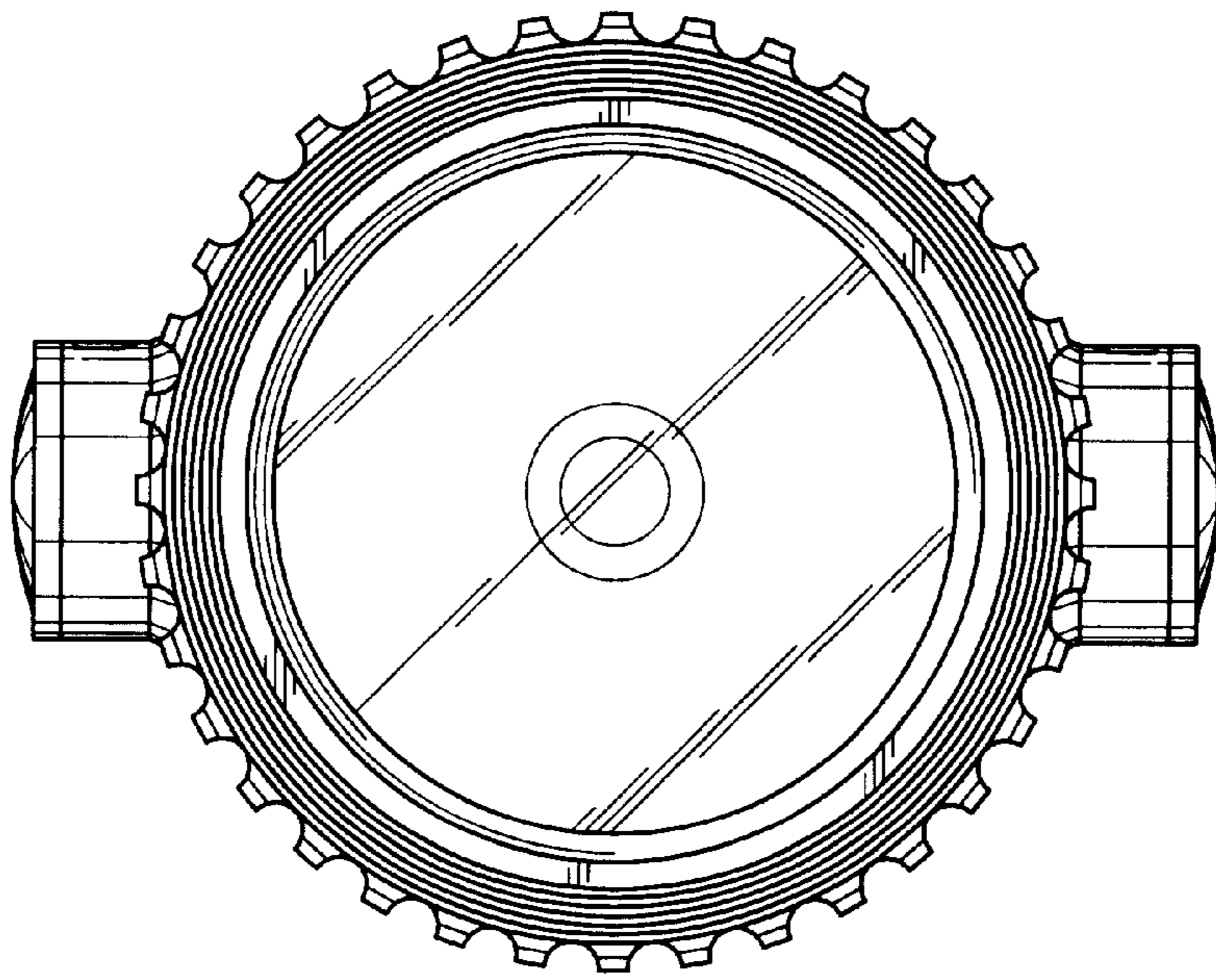


FIG. 3

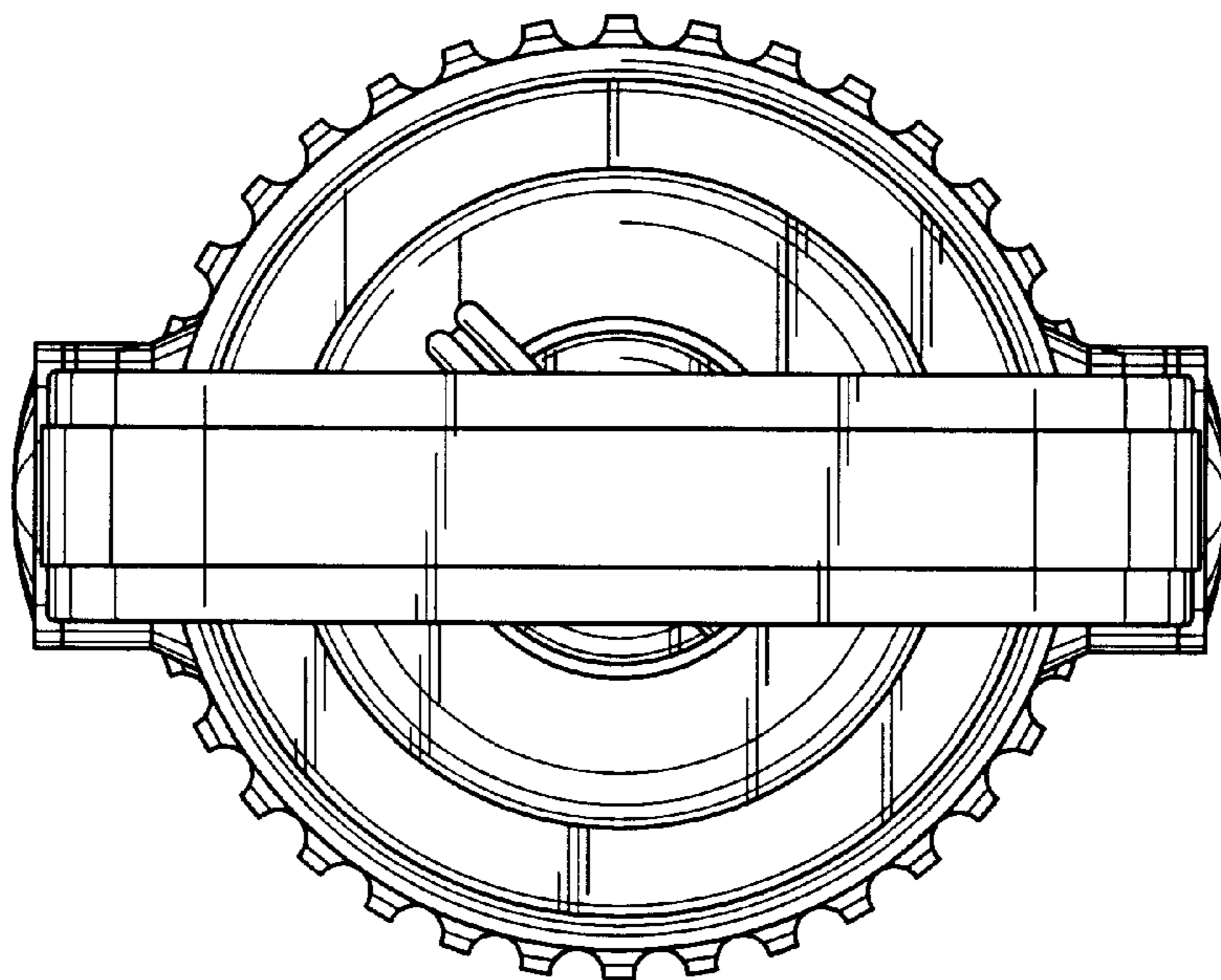


FIG. 4

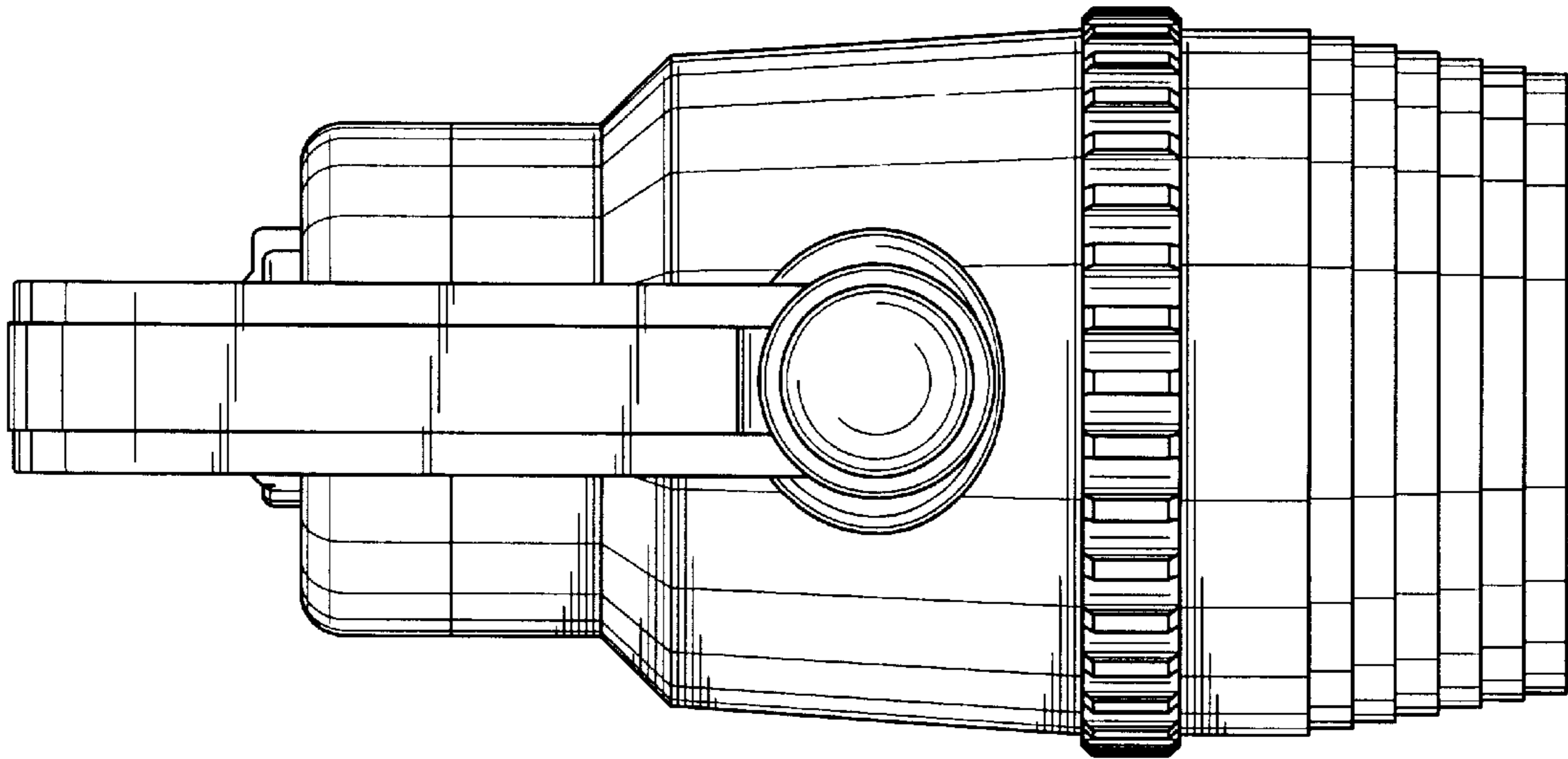


FIG. 5

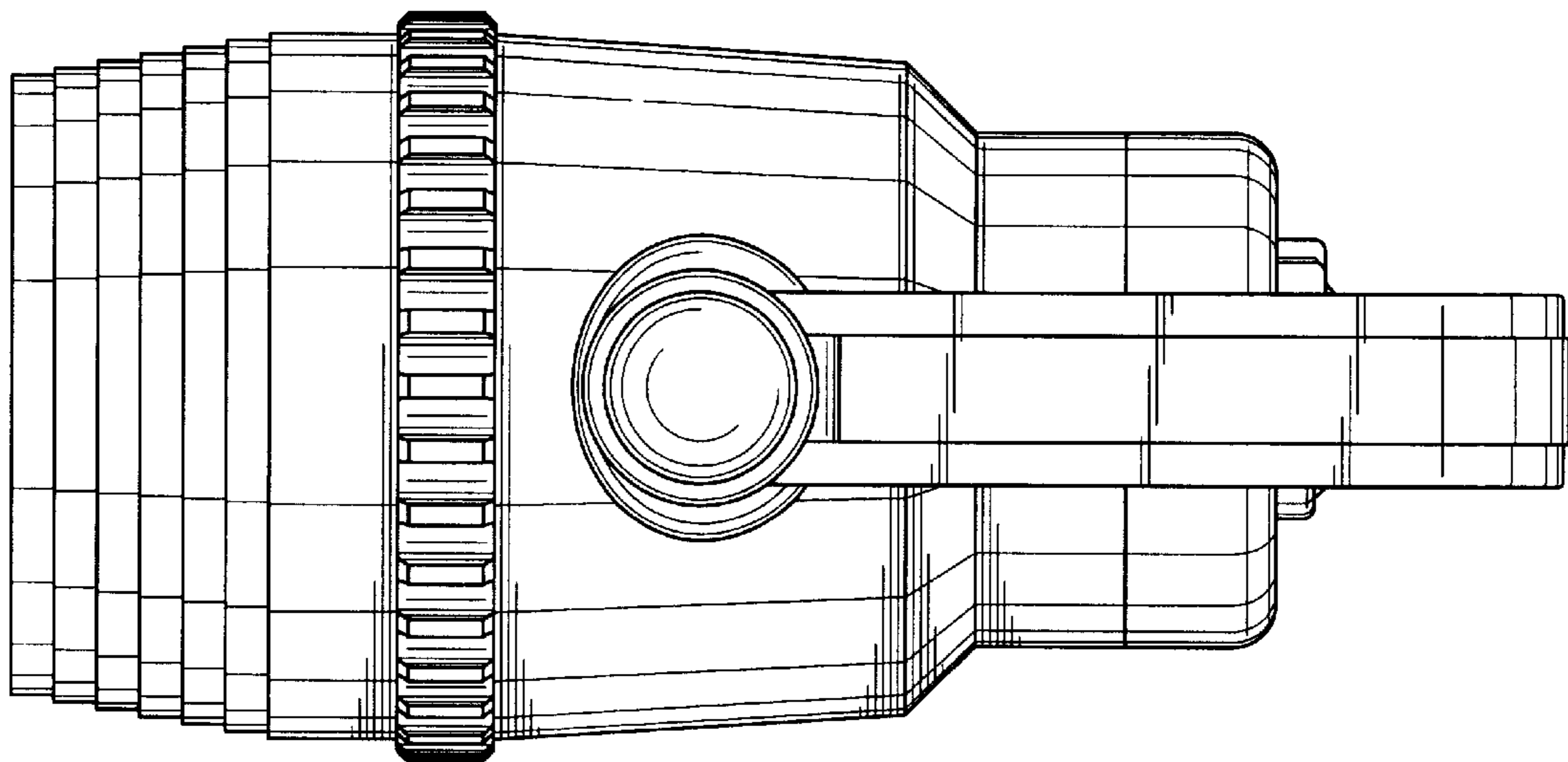


FIG. 6

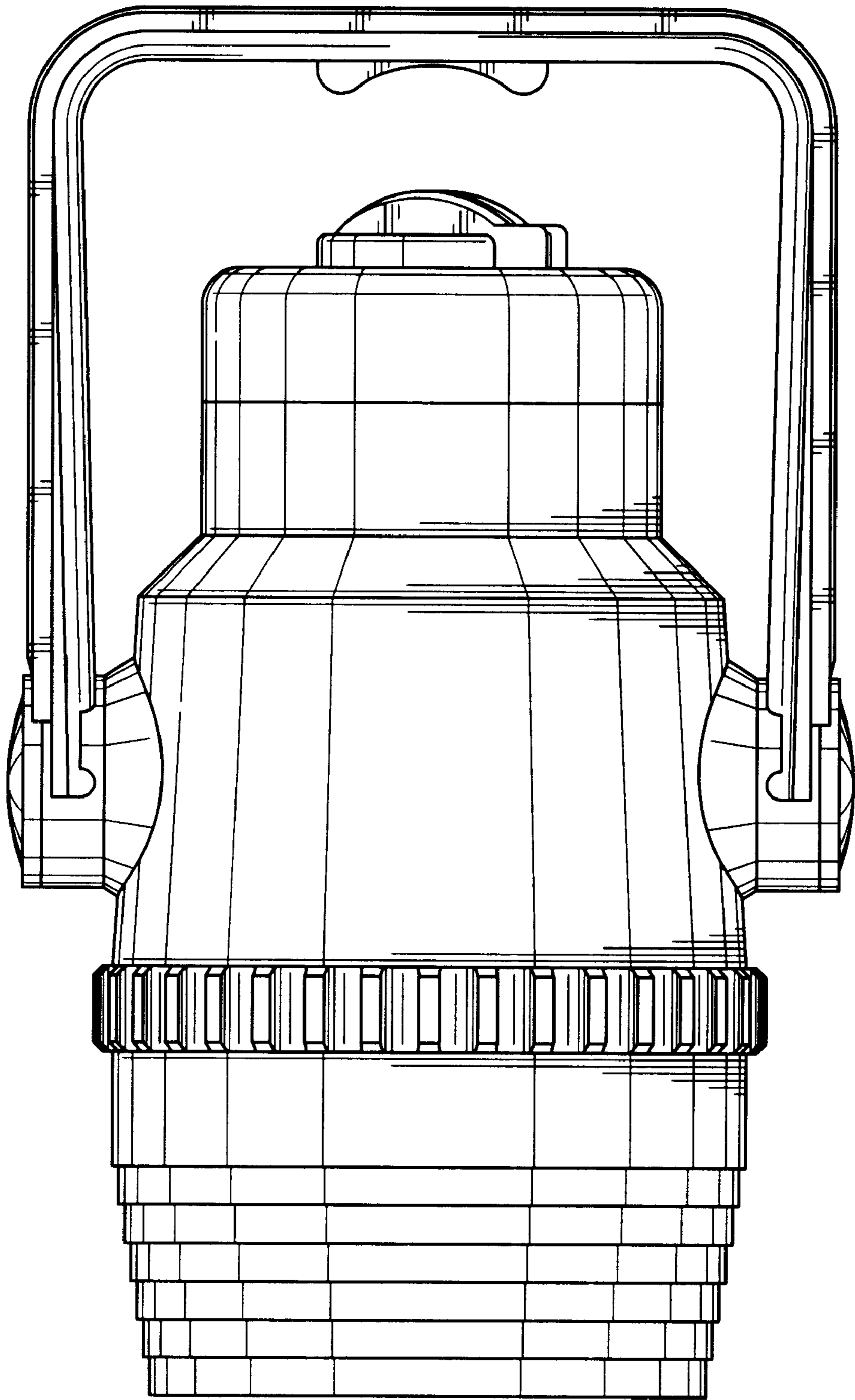


FIG. 7

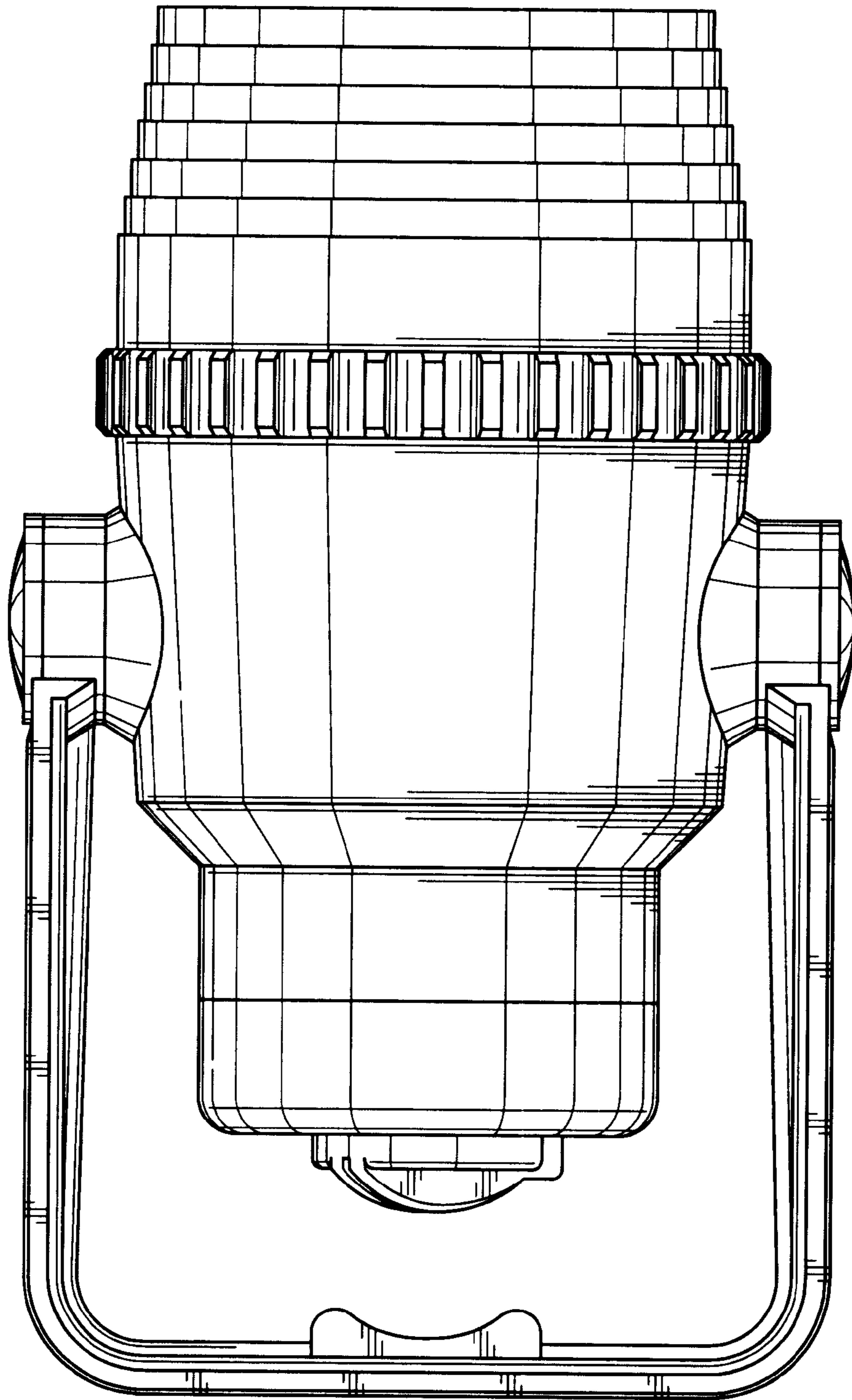


FIG. 8

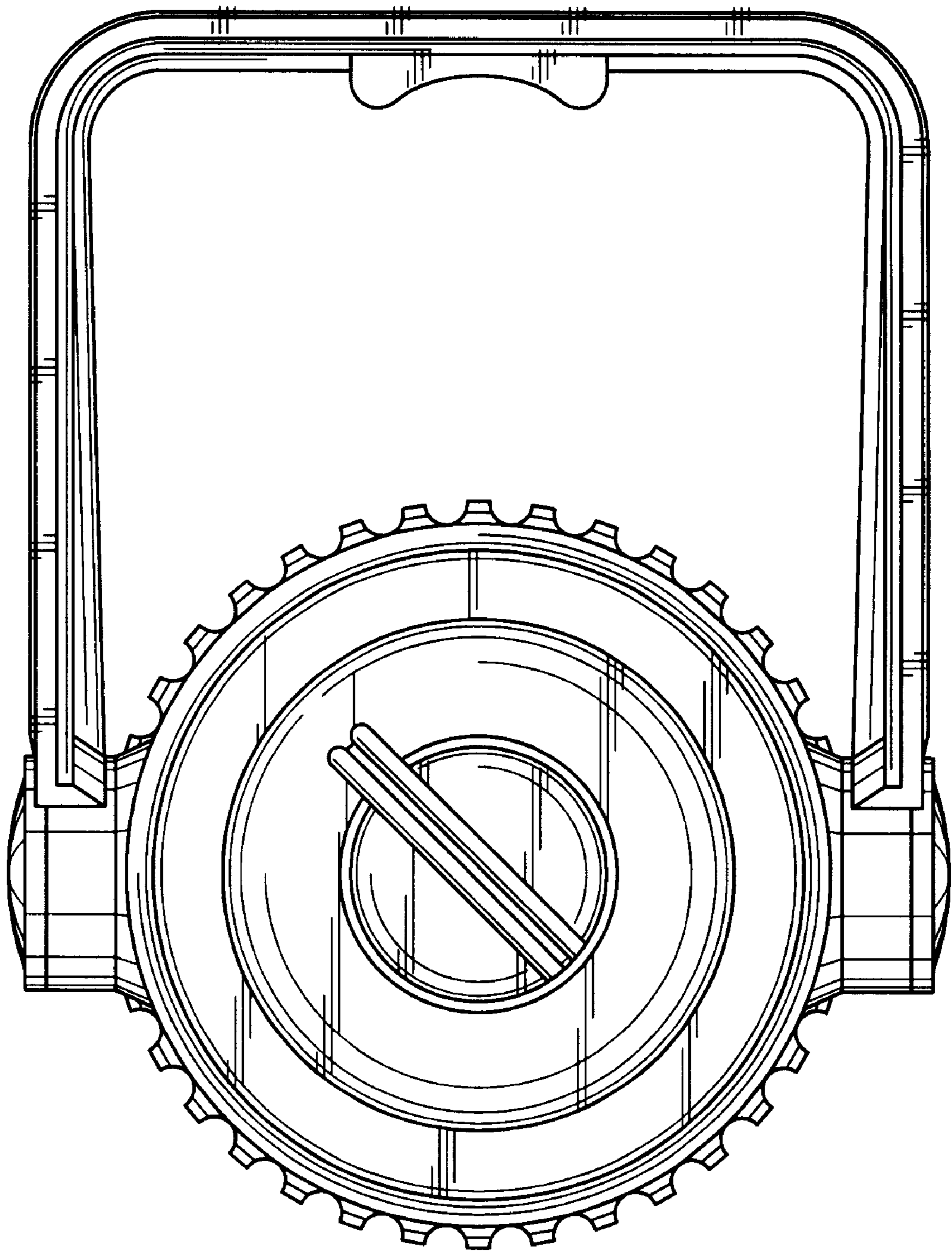


FIG. 9