



US00D441107S

(12) **United States Design Patent**  
**Okuda**

(10) **Patent No.:** **US D441,107 S**

(45) **Date of Patent:** **\*\* Apr. 24, 2001**

(54) **HEADLAMP FOR BICYCLE**

(75) Inventor: **Yoji Okuda**, Tondabayashi (JP)

(73) Assignee: **Cateye Co., Ltd.**, Osaka (JP)

(\*\*) Term: **14 Years**

(21) Appl. No.: **29/129,849**

(22) Filed: **Sep. 22, 2000**

(30) **Foreign Application Priority Data**

Apr. 5, 2000 (JP) ..... 12-008792

(51) **LOC (7) Cl.** ..... **26-04**

(52) **U.S. Cl.** ..... **D26/28**

(58) **Field of Search** ..... D26/28-36; 362/72,  
362/157, 158, 183-208

(56) **References Cited**

**U.S. PATENT DOCUMENTS**

D. 382,356 \* 8/1997 Okuda et al. .... D26/28

D. 406,369 \* 3/1999 Dalton et al. .... D26/28

D. 407,835 \* 4/1999 Okuda ..... D26/28

\* cited by examiner

*Primary Examiner*—Marcus A. Jackson

(74) *Attorney, Agent, or Firm*—Olson & Hierl, Ltd.

(57) **CLAIM**

The ornamental design for a headlamp for bicycle, as shown and described.

**DESCRIPTION**

FIG. 1 is a front view of a headlamp for bicycle showing my new design;

FIG. 2 is a rear view thereof;

FIG. 3 is a top plan view thereof;

FIG. 4 is a bottom plan view thereof;

FIG. 5 is a right side view thereof; and,

FIG. 6 is a perspective view thereof.

**1 Claim, 2 Drawing Sheets**

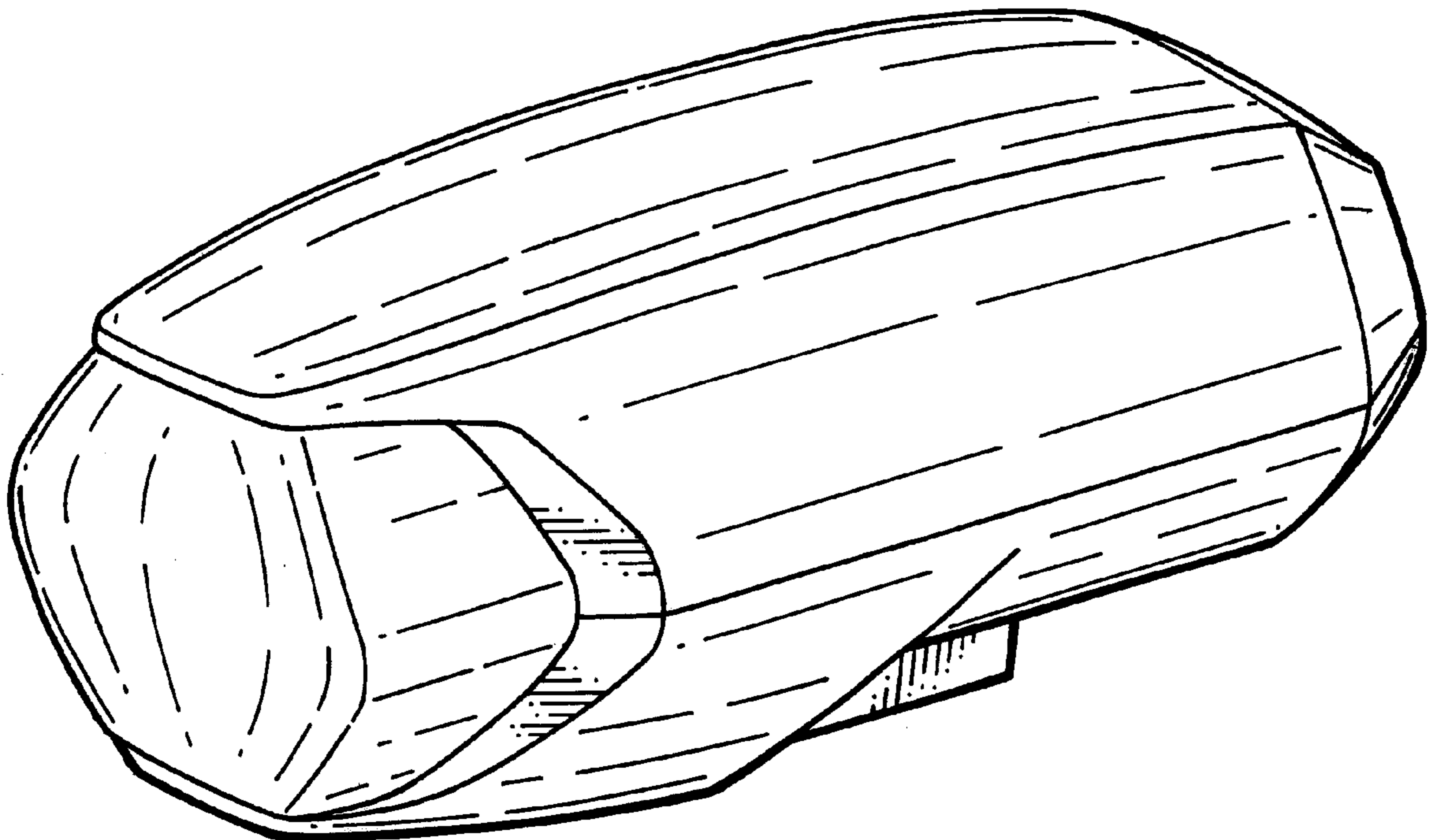


FIG. 1

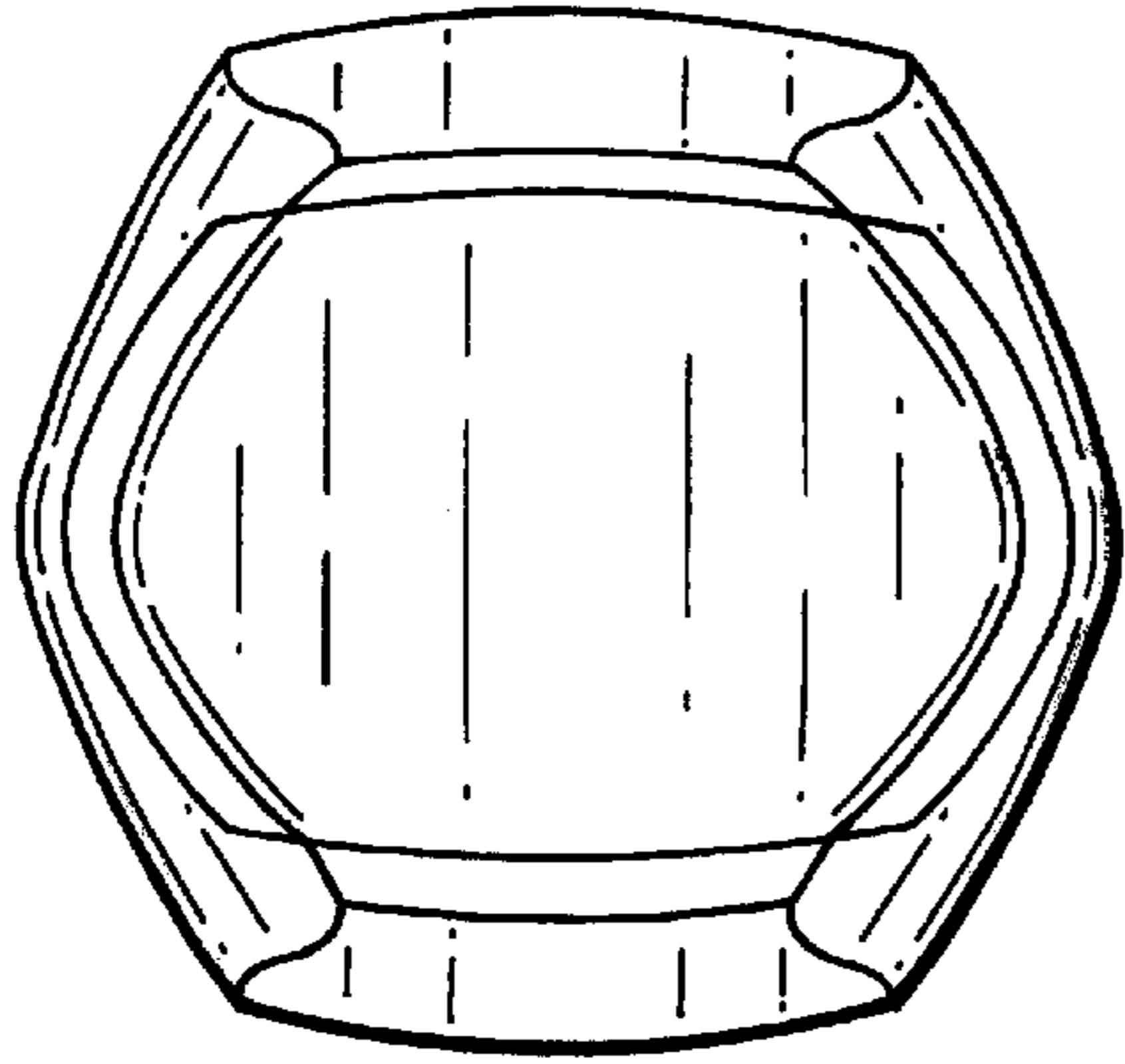


FIG. 2

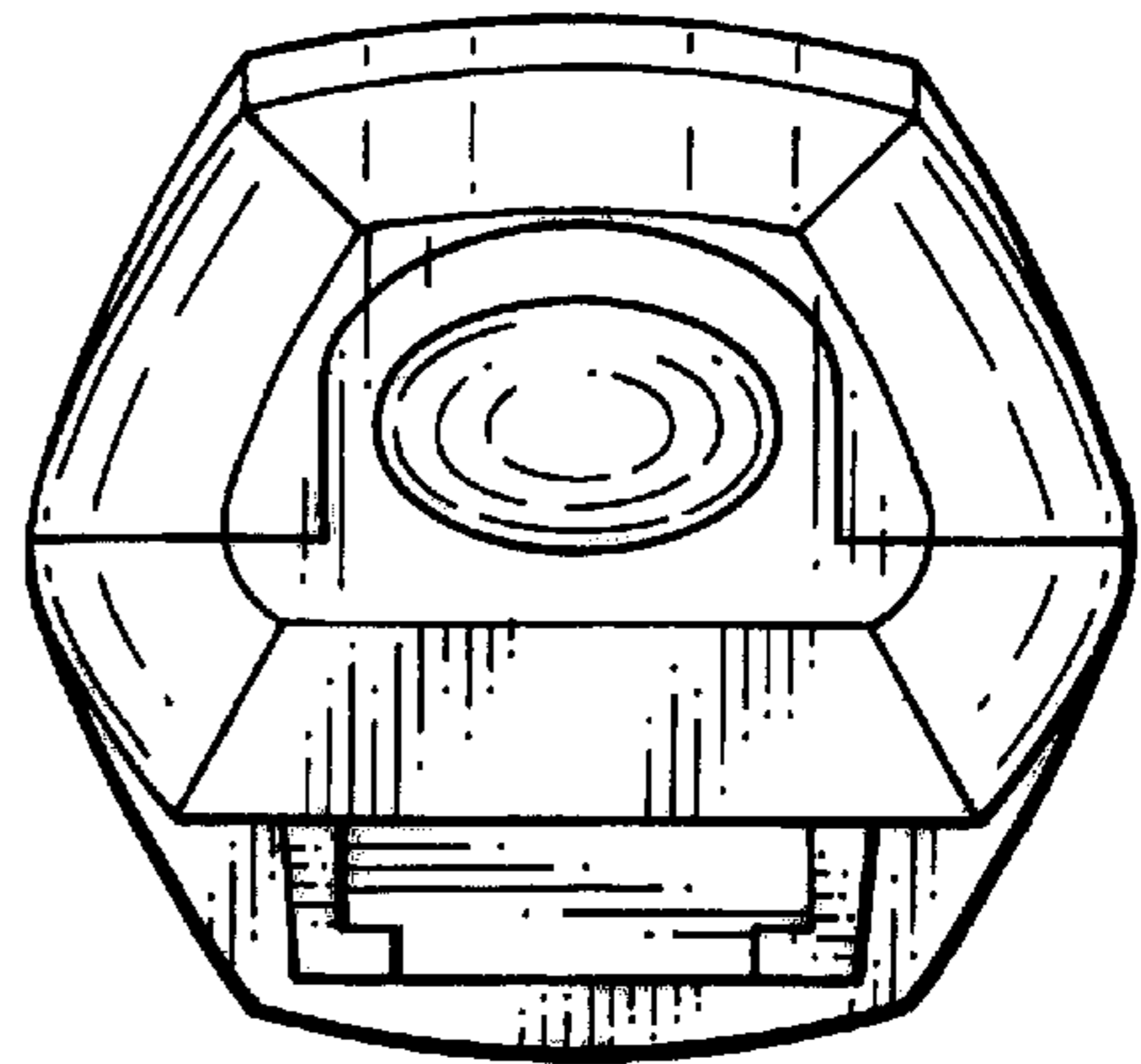


FIG. 3

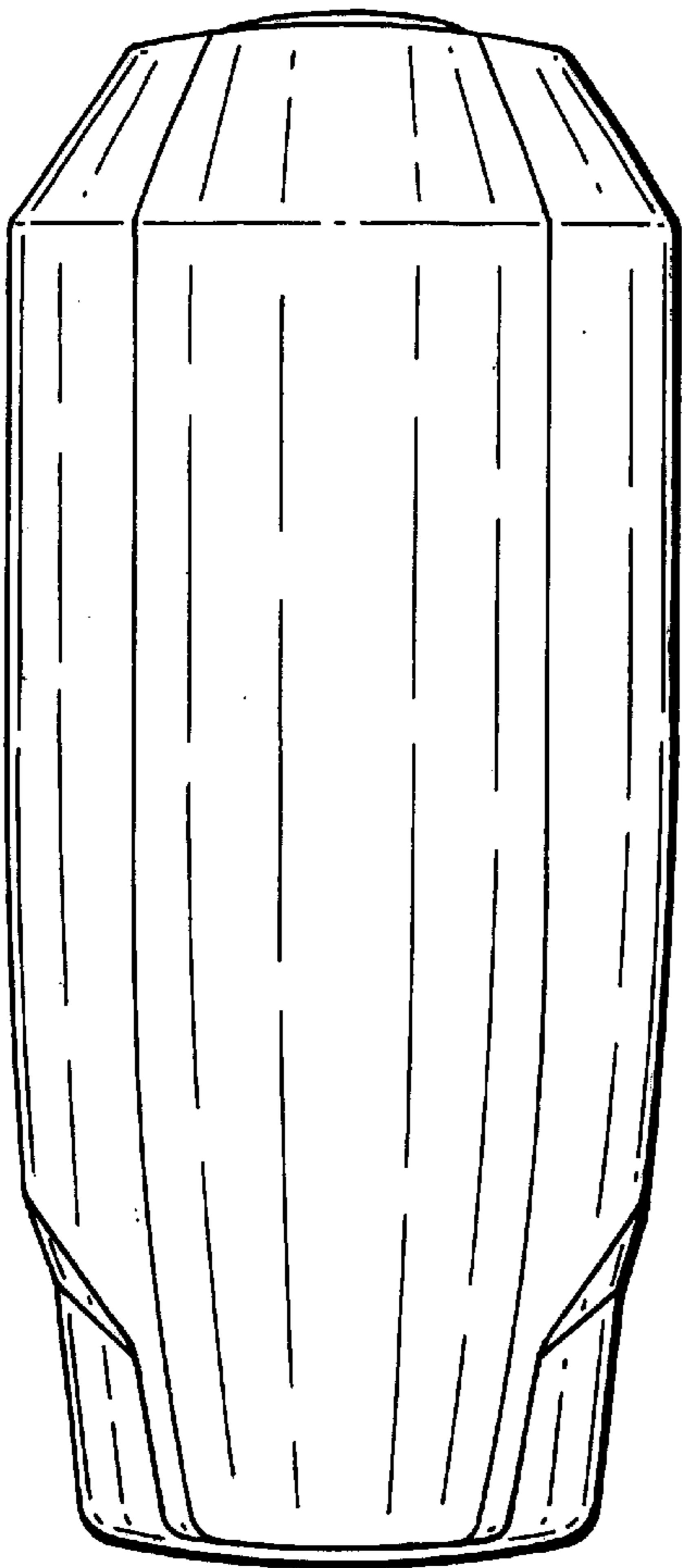


FIG. 4

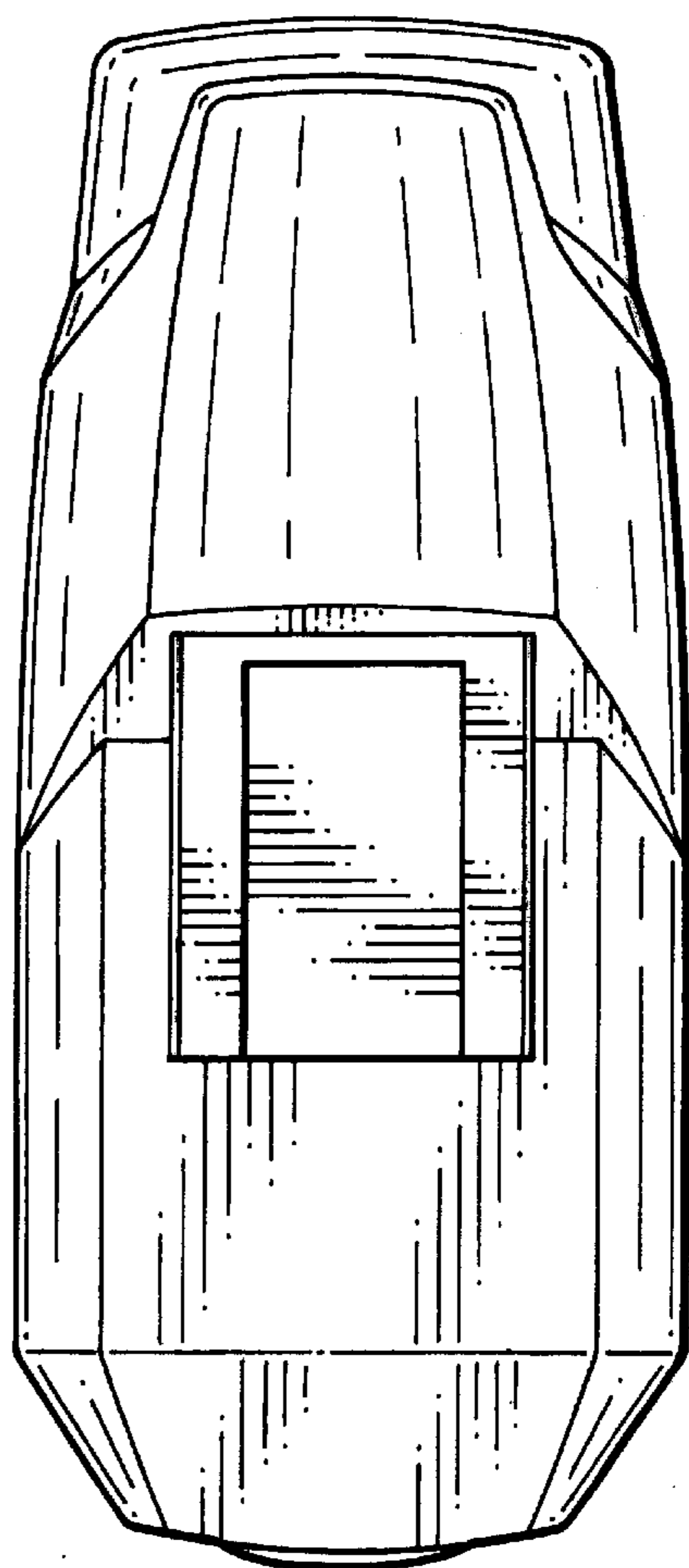


FIG. 5

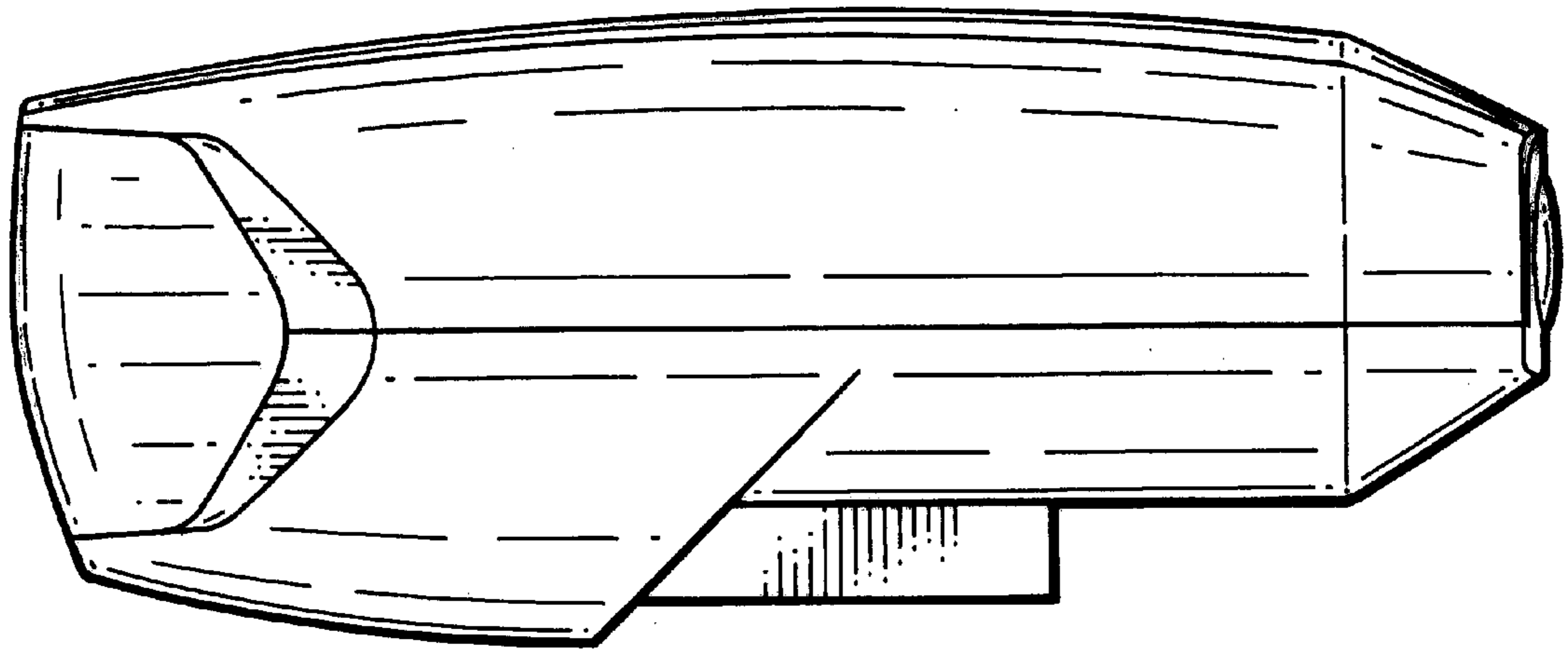


FIG. 6

