



US00D441105S

(12) **United States Design Patent**
Cleary

(10) **Patent No.:** **US D441,105 S**

(45) **Date of Patent:** **** Apr. 24, 2001**

(54) **TRELLIS POST**

FOREIGN PATENT DOCUMENTS

(75) **Inventor:** **Gerard Cleary**, Burrawang via Moss
Vale (AU)

(73) **Assignee:** **Vale Statutory & Mining Services Pty.**
Ltd., Moss Vale (AU)

79002 2/1981 (AU) .
108405 1/1990 (AU) .
108474 1/1990 (AU) .
110324 6/1990 (AU) .
110914 6/1990 (AU) .
135558 11/1998 (AU) .

(**) **Term:** **14 Years**

* cited by examiner

(21) **Appl. No.:** **29/121,304**

Primary Examiner—Doris Clark

(22) **Filed:** **Apr. 5, 2000**

(74) *Attorney, Agent, or Firm*—Larson & Taylor PLC

(51) **LOC (7) Cl.** **25-01**

(52) **U.S. Cl.** **D25/132**

(58) **Field of Search** D25/126, 131,
D25/132; 40/606, 607, 608; 52/742, 732.3,
736.1, 726.3; 256/21, 22, DIG. 5, 65, 58,
47, 53

(57) **CLAIM**

A new original design for a trellis post, as shown and described.

DESCRIPTION

FIG. 1 is a perspective view from above and one side thereof;

FIG. 2 is an end view thereof;

FIG. 3 is a side view from one side thereof; and,

FIG. 4 is a side view from the other side thereof.

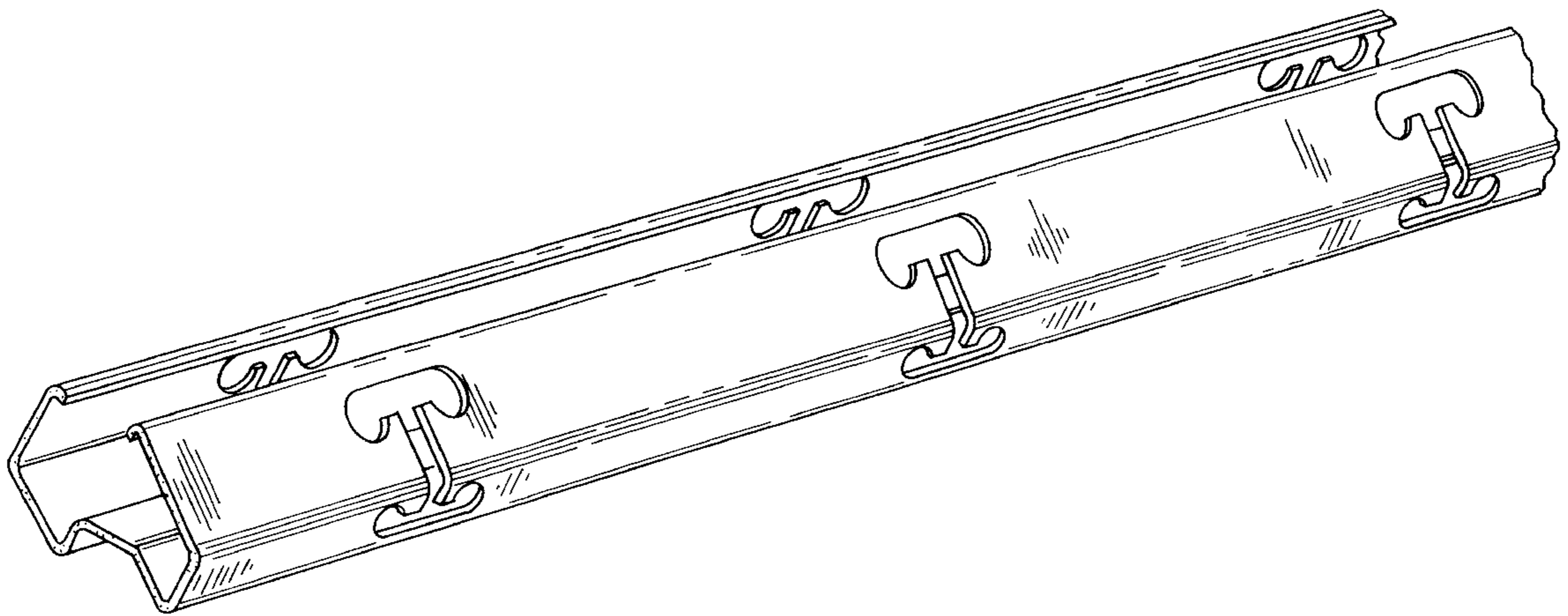
One end of the trellis post is broken to indicate indefinite length.

(56) **References Cited**

U.S. PATENT DOCUMENTS

2,024,546 * 12/1935 Starkey 47/47
4,383,396 * 5/1983 Waugh 47/47

1 Claim, 2 Drawing Sheets



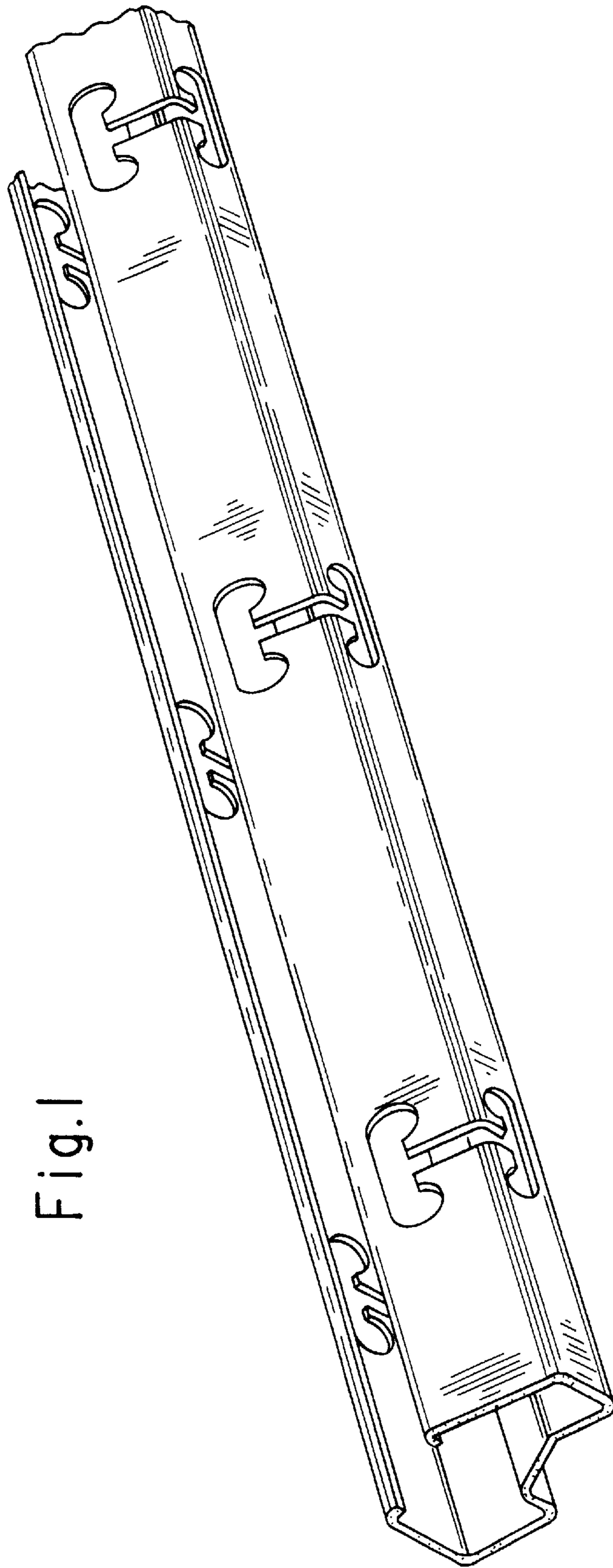


Fig. 1

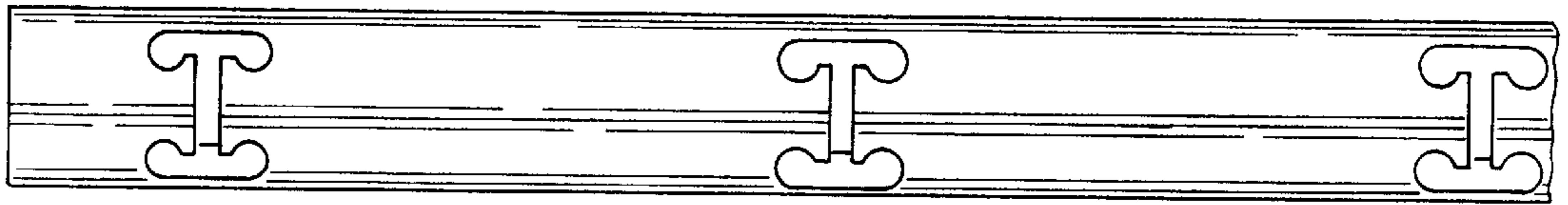


Fig.3

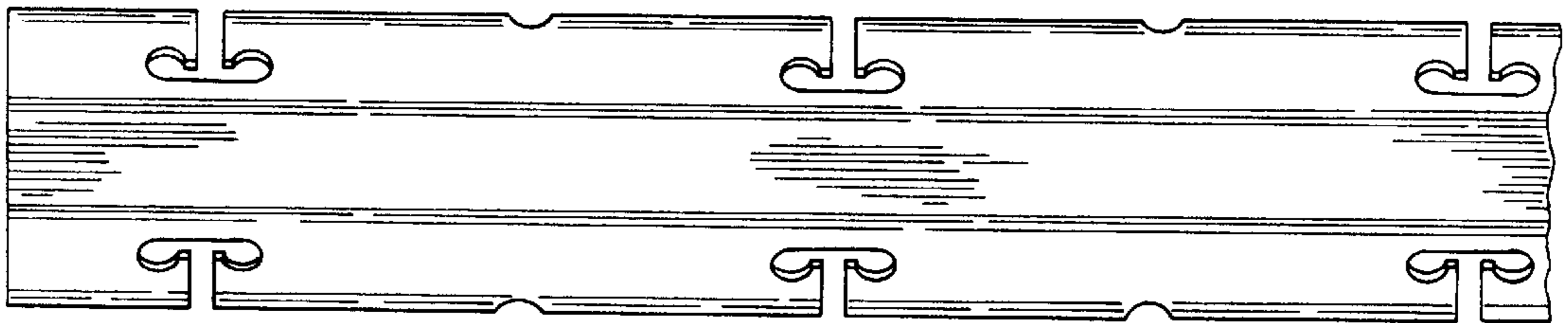


Fig.4

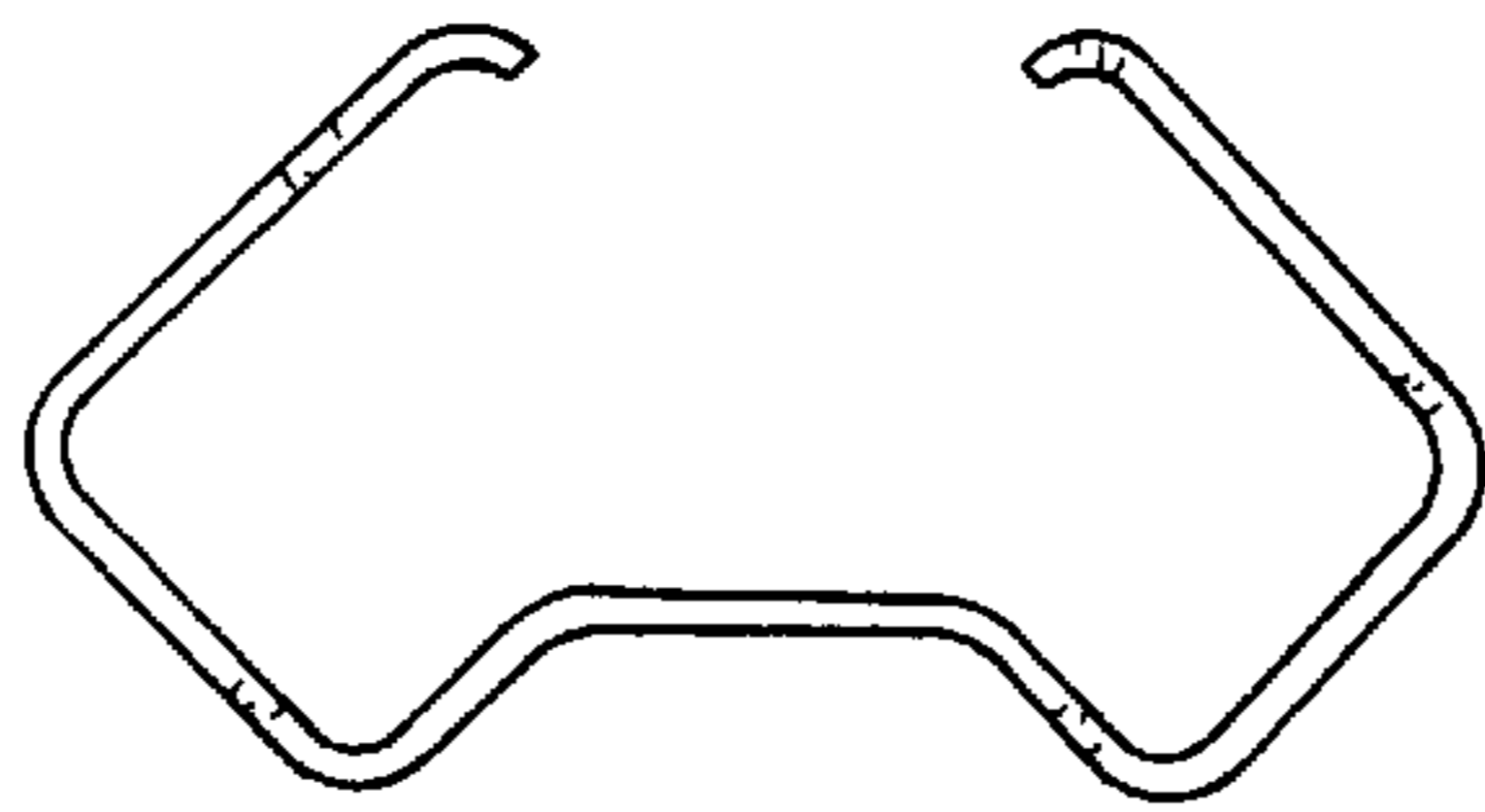


Fig.2