



US00D441101S

(12) **United States Design Patent**  
**Habeck et al.**

(10) **Patent No.:** **US D441,101 S**

(45) **Date of Patent:** **\*\* \*Apr. 24, 2001**

(54) **CONSTRUCTION HEAD FOR SINGLE HUNG WINDOW**

(75) Inventors: **Jerome Carl Habeck**, Holt; **Dennis C. Westphal**, Parma, both of MI (US); **David S. Levine**, King of Prussia; **Stanley Gursky**, Yardley, both of PA (US)

(73) Assignee: **CertainTeed Corp.**, Valley Forge, PA (US)

(\* ) Notice: This patent is subject to a terminal disclaimer.

(\*\*) Term: **14 Years**

(21) Appl. No.: **29/124,595**

(22) Filed: **Jun. 7, 2000**

(51) **LOC (7) Cl.** ..... **25-01**

(52) **U.S. Cl.** ..... **D25/124**

(58) **Field of Search** ..... D25/52, 60, 119-125;  
49/DIG. 2, 504, 505, 404, 413, 419, 407-408;  
52/204.56, 204.51, 230.3, 205.1, 202, 730.5,  
731, 732, 738, 204.5

(56) **References Cited**

**U.S. PATENT DOCUMENTS**

D. 378,430 \* 3/1997 Dallaire et al. .... D25/125

\* cited by examiner

*Primary Examiner*—Doris Clark

(74) *Attorney, Agent, or Firm*—Duane Morris & Heckscher LLP

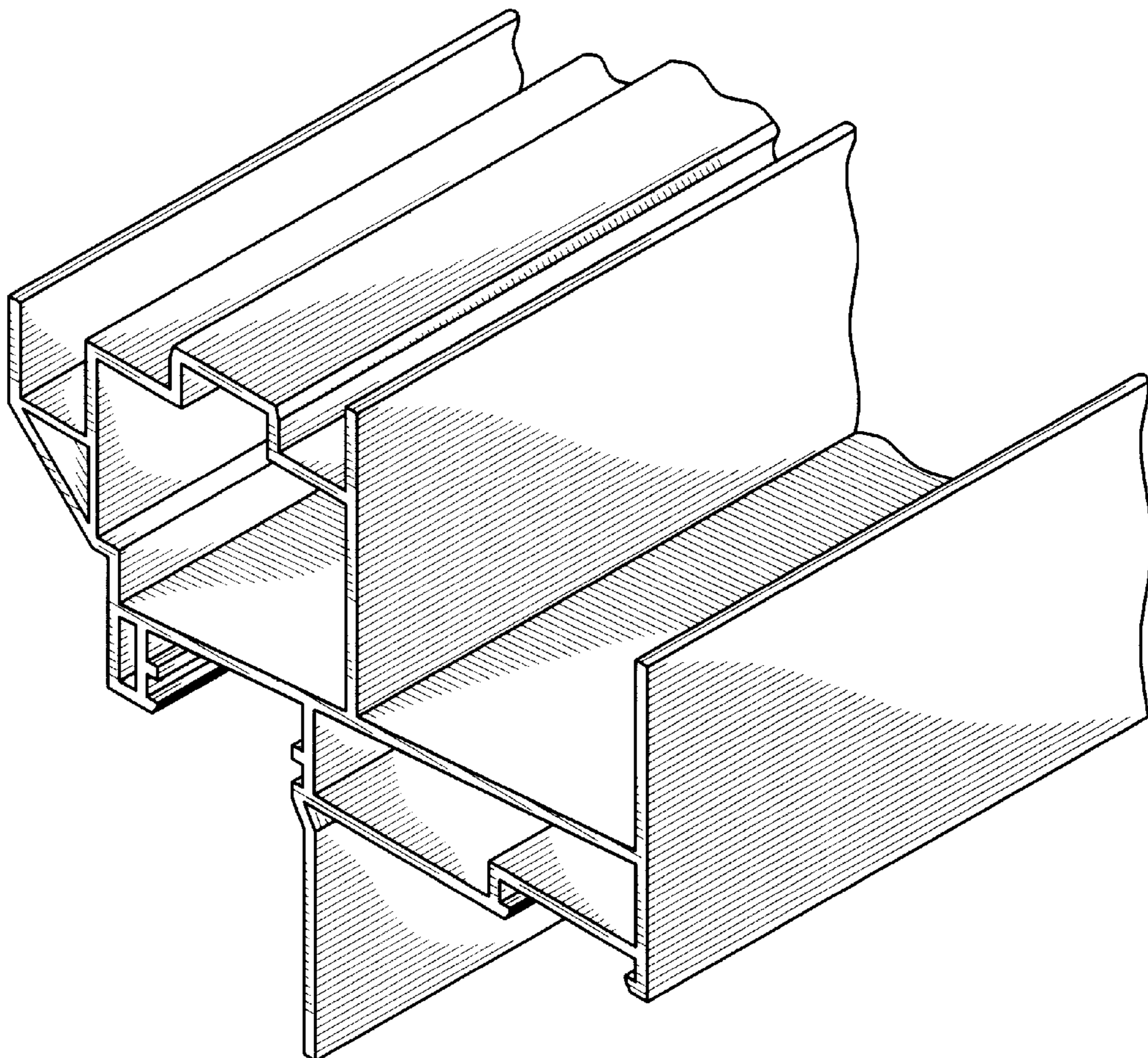
(57) **CLAIM**

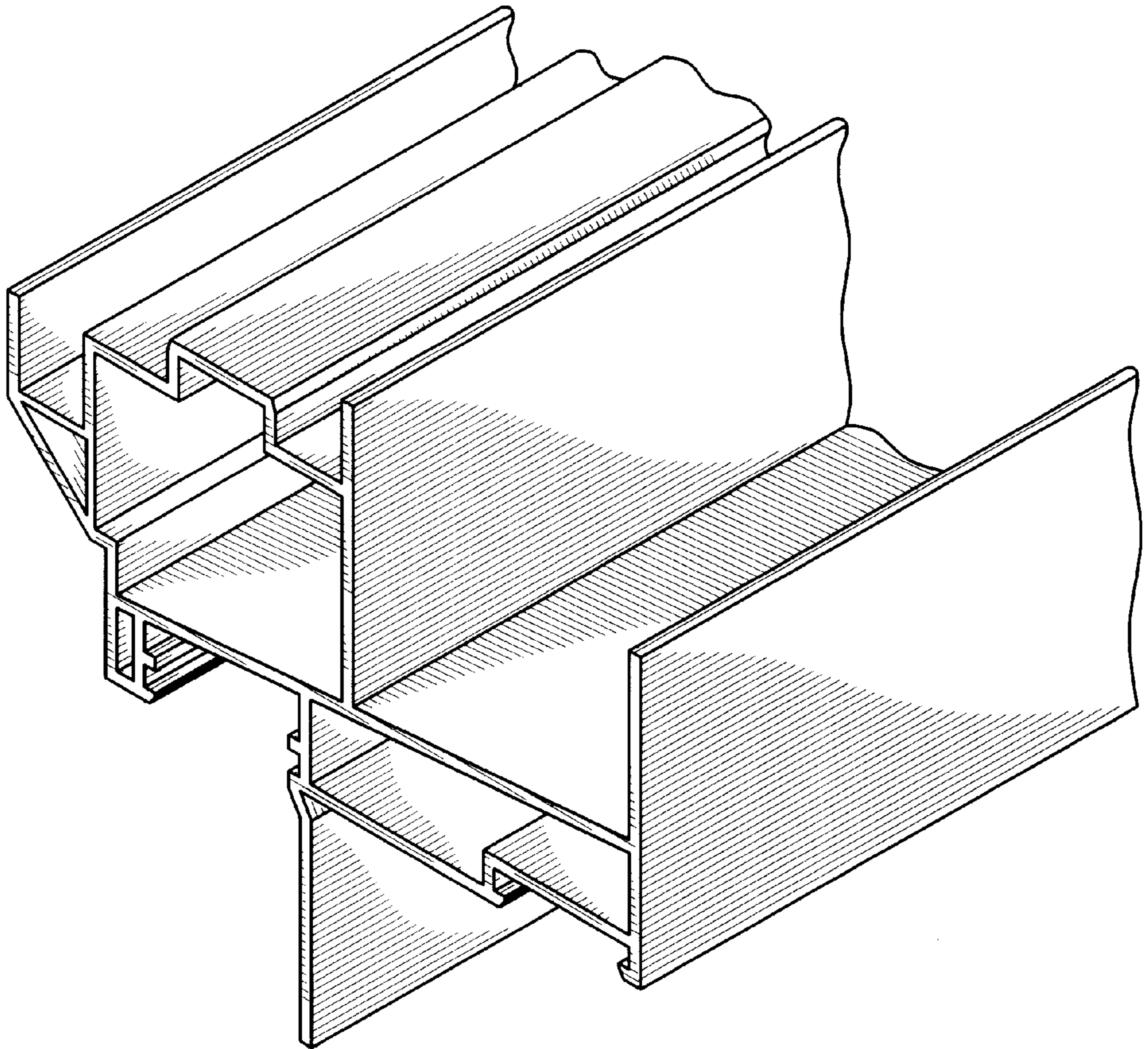
The ornamental design for a new construction head for single hung window, as shown and described.

**DESCRIPTION**

The FIGURE is a front perspective view of a new construction head for single hung window, showing our new design, the rear perspective view being a mirror image thereof, and is shown fragmented indicating indefinite length.

**1 Claim, 1 Drawing Sheet**





THE FIGURE