



US00D441087S

(12) **United States Design Patent**  
**Johansen et al.**

(10) **Patent No.:** **US D441,087 S**

(45) **Date of Patent:** **\*\* Apr. 24, 2001**

(54) **COMBINED BOTTLE AND CAP FOR NURSING**

(75) Inventors: **Jean L. Johansen; Brenda J. Meyers,**  
both of Reedsburg, WI (US); **Alice A. Mensch,**  
Chicago; **Mark P. Slaven,**  
Evanston, both of IL (US)

(73) Assignee: **Gerber Products Company,**  
Reedsburg, WI (US)

(\*\*) Term: **14 Years**

3,593,870	7/1971	Anderson .....	215/11 B
3,645,413	2/1972	Mitchell .....	215/11 R
3,651,973	3/1972	Yamauchi .....	215/11 B
3,677,198	7/1972	La Barge .....	215/11 C
3,746,198	7/1973	Howland .....	215/11 R
3,747,414	7/1973	Ohno .....	73/428
3,747,791	7/1973	Fouser .....	215/11 R
3,796,337	3/1974	Seunevel .....	215/11 C
3,820,692	6/1974	Swett et al. ....	222/547
4,613,050	9/1986	Atkin et al. ....	215/11 B
4,700,856	10/1987	Campbell et al. ....	215/11 E
4,818,114	4/1989	Ghavi .....	366/130

(List continued on next page.)

(21) Appl. No.: **29/130,300**

(22) Filed: **Sep. 29, 2000**

(51) **LOC (7) Cl.** ..... **07-01**

(52) **U.S. Cl.** ..... **D24/197**

(58) **Field of Search** ..... D24/197; 215/11.1,  
215/11.2, 11.3, 11.4, 11.5, 11.6

**FOREIGN PATENT DOCUMENTS**

832916	10/1938	(FR) .
1003787	3/1952	(FR) .
782804	9/1957	(GB) .
2154451A	9/1985	(GB) .
594305	5/1959	(IT) .

*Primary Examiner*—Stella Reid

(74) *Attorney, Agent, or Firm*—Seidel, Gonda, Lavorgna & Monaco, PC

(56) **References Cited**

**U.S. PATENT DOCUMENTS**

D. 309,948	8/1990	Chambers .....	D24/47
D. 315,213	3/1991	Ohnuki .....	D24/47
D. 315,409	3/1991	Baarber .....	D24/47
D. 330,084	10/1992	Kwang .....	D24/198
D. 356,160	3/1995	Cautereels .....	D24/197
D. 368,528	4/1996	Allegre .....	D24/197
D. 368,529	4/1996	Allegre .....	D24/197
D. 370,262 *	5/1996	Allegre .....	D24/197
D. 374,150	10/1996	Lillelund et al. ....	D7/387
D. 383,847	9/1997	Skinner .....	D24/197
D. 393,075	3/1998	Allegre .....	D24/197
D. 417,505 *	12/1999	Nuzzo .....	D24/197
D. 420,448	2/2000	Brown et al. ....	D24/197
1,075,119	10/1913	Reichner .	
1,632,854	6/1927	Rogers .	
1,672,466	6/1928	Oshman et al. .	
1,672,467	6/1928	Oshman et al. .	
1,733,184	10/1929	Decker .	
1,749,313	3/1930	Burtchaell .	
3,273,703	9/1966	Stribley .....	206/46
3,366,261	1/1968	Dewey .....	215/11
3,530,979	9/1970	Merrill et al. ....	206/46

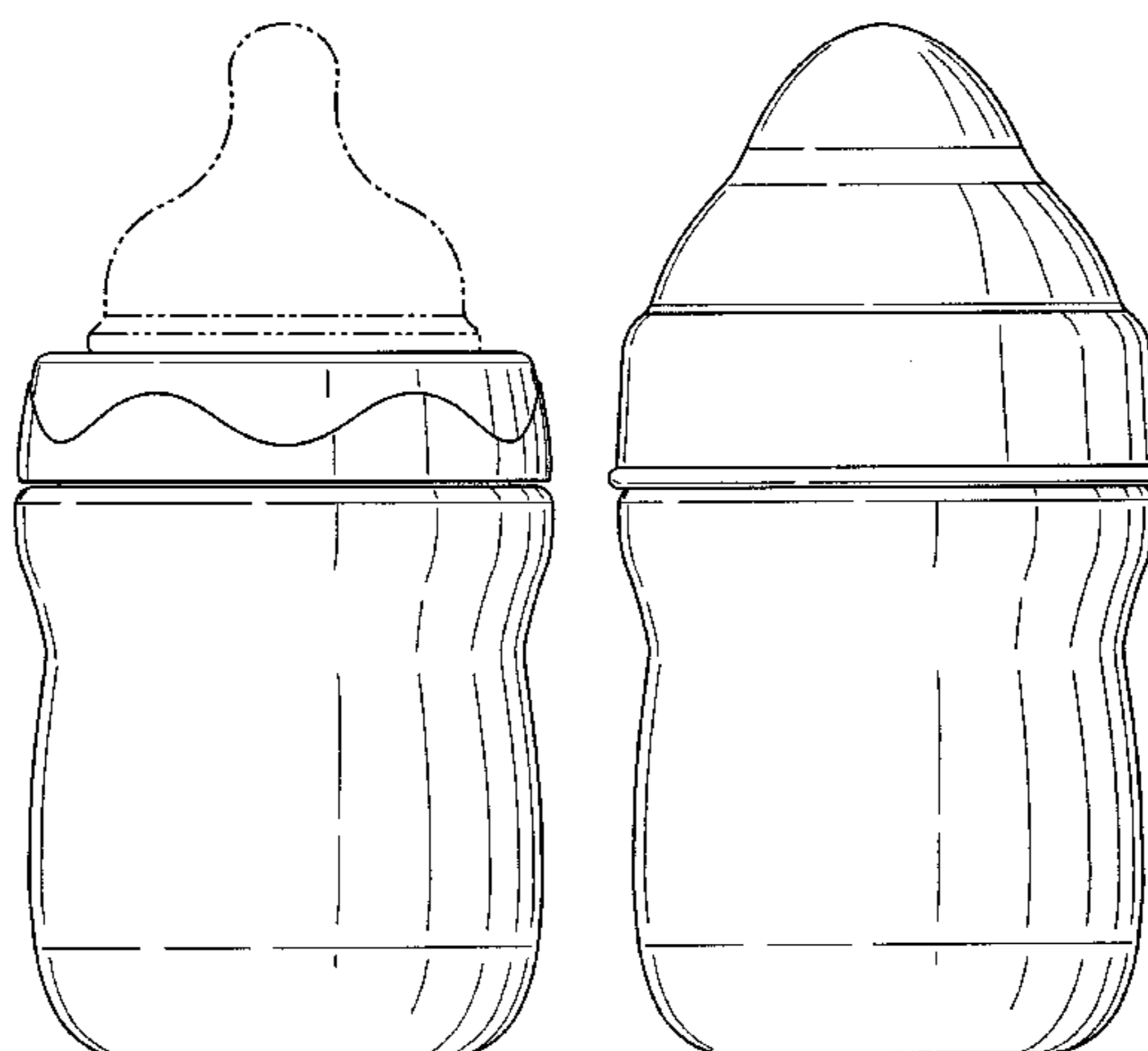
(57) **CLAIM**

The ornamental design for a combined bottle and cap for nursing, as shown and described.

**DESCRIPTION**

FIG. 1 is an isometric view of a combined bottle and cap for nursing, showing our new design;  
FIG. 2 is a front view thereof;  
FIG. 3 is a rear view thereof;  
FIG. 4 is a top plan view thereof;  
FIG. 5 is a bottom plan view thereof;  
FIG. 6 is an isometric view of FIGS. 1–5 with a cap thereon; and,  
FIG. 7 is a front view of FIG. 6, the rear view being identical.  
The broken line showing of the nipple in FIGS. 1–4 is for illustrative purposes only and forms no part of the claimed design.

**1 Claim, 5 Drawing Sheets**



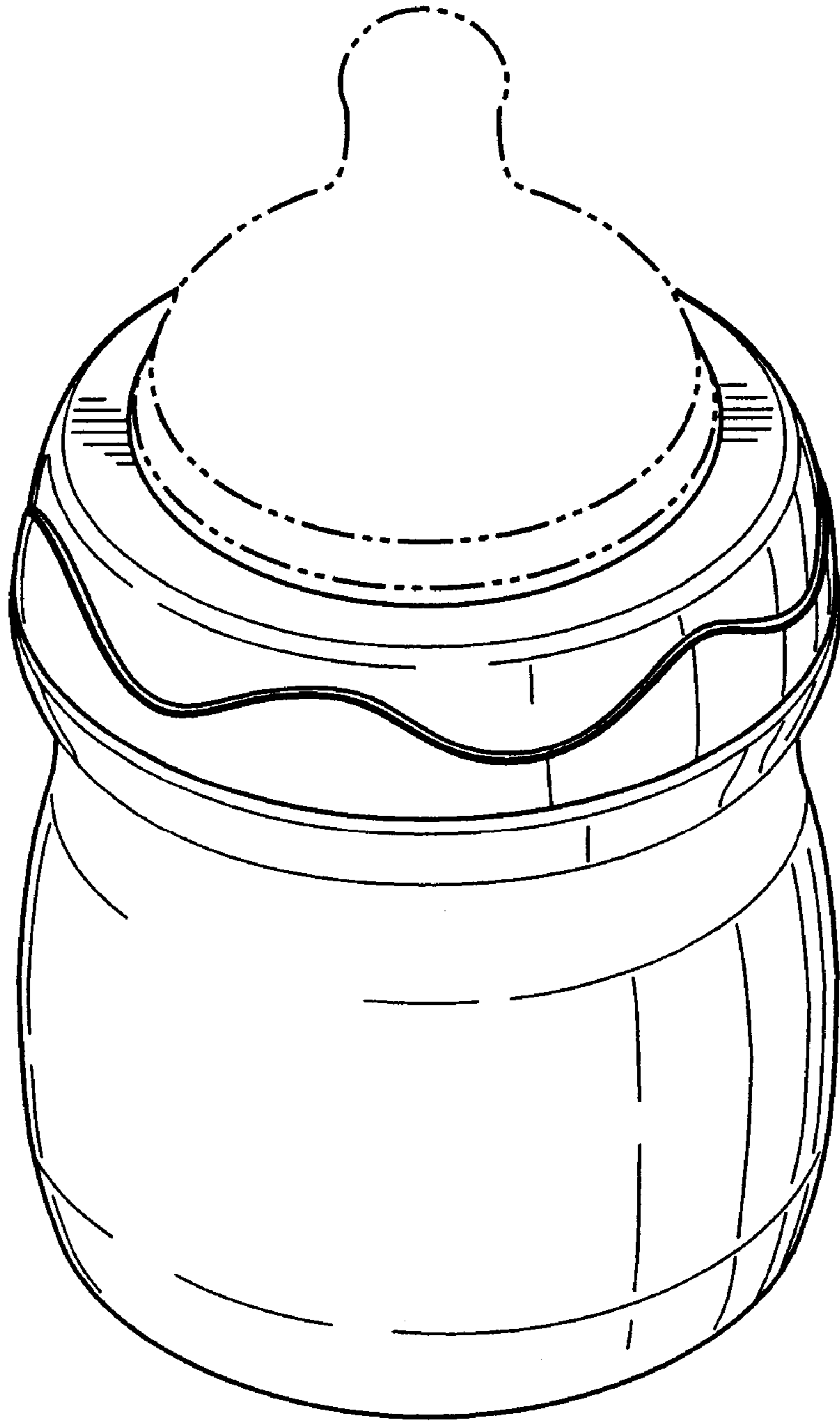
# US D441,087 S

Page 2

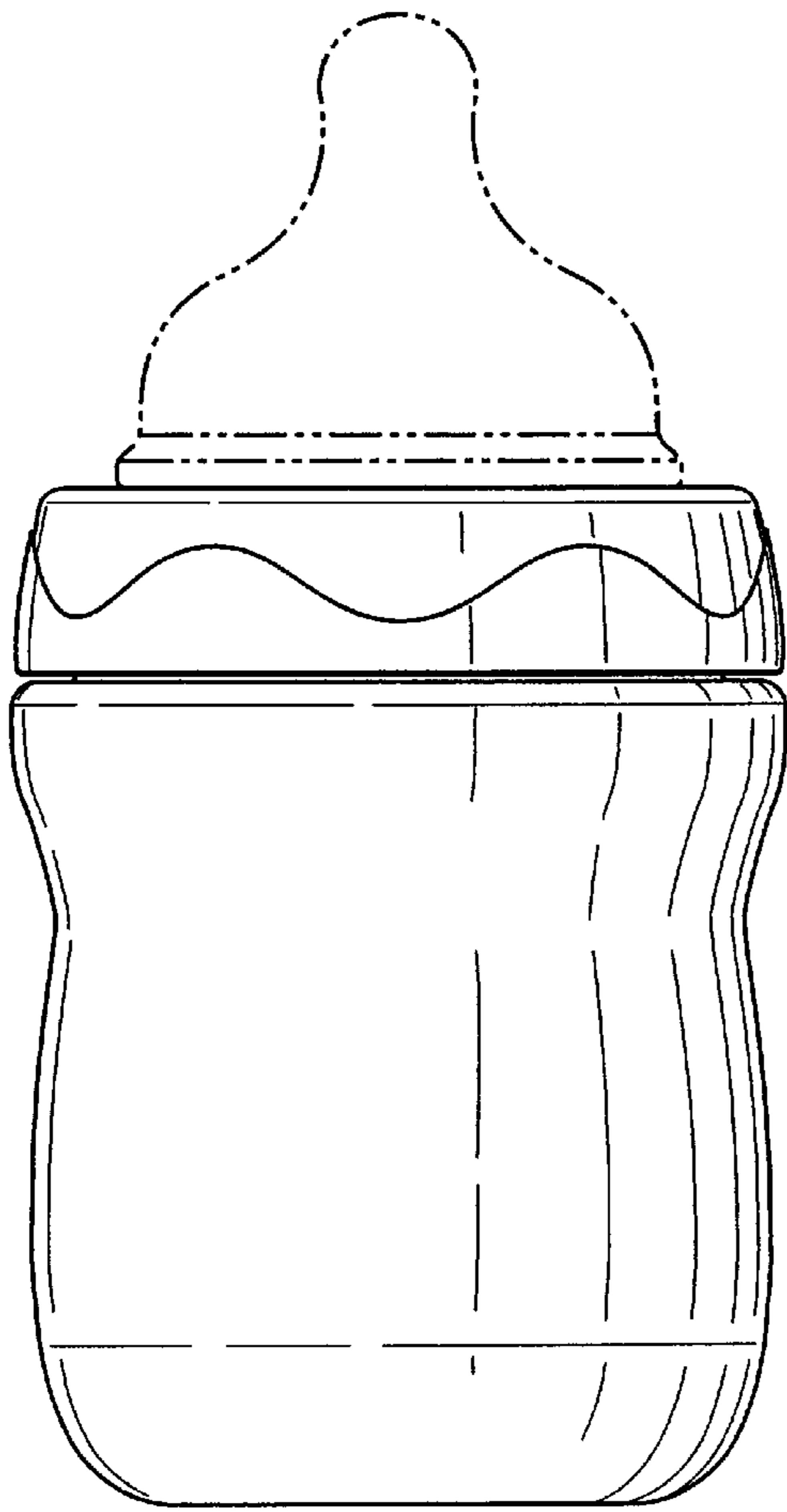
---

U.S. PATENT DOCUMENTS			
4,915,242	4/1990	Marte .....	215/11.1
5,020,679	6/1991	Signorini .....	215/11.1
5,038,948	8/1991	Signorini .....	215/11.1
5,069,351	12/1991	Gunderson et al. ....	215/11.1
5,215,203	6/1993	Malcolm .....	215/100
5,295,597	3/1994	Green .....	215/11.4
5,316,160	5/1994	Cautereels .....	215/11.1
5,353,964	10/1994	Liu et al. ....	222/134
5,419,445	5/1995	Kaesemeyer .....	215/11.1
5,433,328	7/1995	Baron et al. ....	215/11.4
5,509,549	4/1996	Marandola .....	215/11.3
5,547,275	8/1996	Lillelund et al. ....	366/130
5,579,935	12/1996	Atkins et al. ....	215/11.1
5,788,369	8/1998	Tseng .....	316/130
5,791,503	8/1998	Lyons .....	215/11.5
5,794,802	8/1998	Caola .....	215/11.1
5,863,126	1/1999	Guild .....	366/130
5,878,898	3/1999	Shefflin .....	215/11.6
6,016,929	1/2000	Williams .....	215/11.1
6,042,850	3/2000	Ida et al. ....	426/2

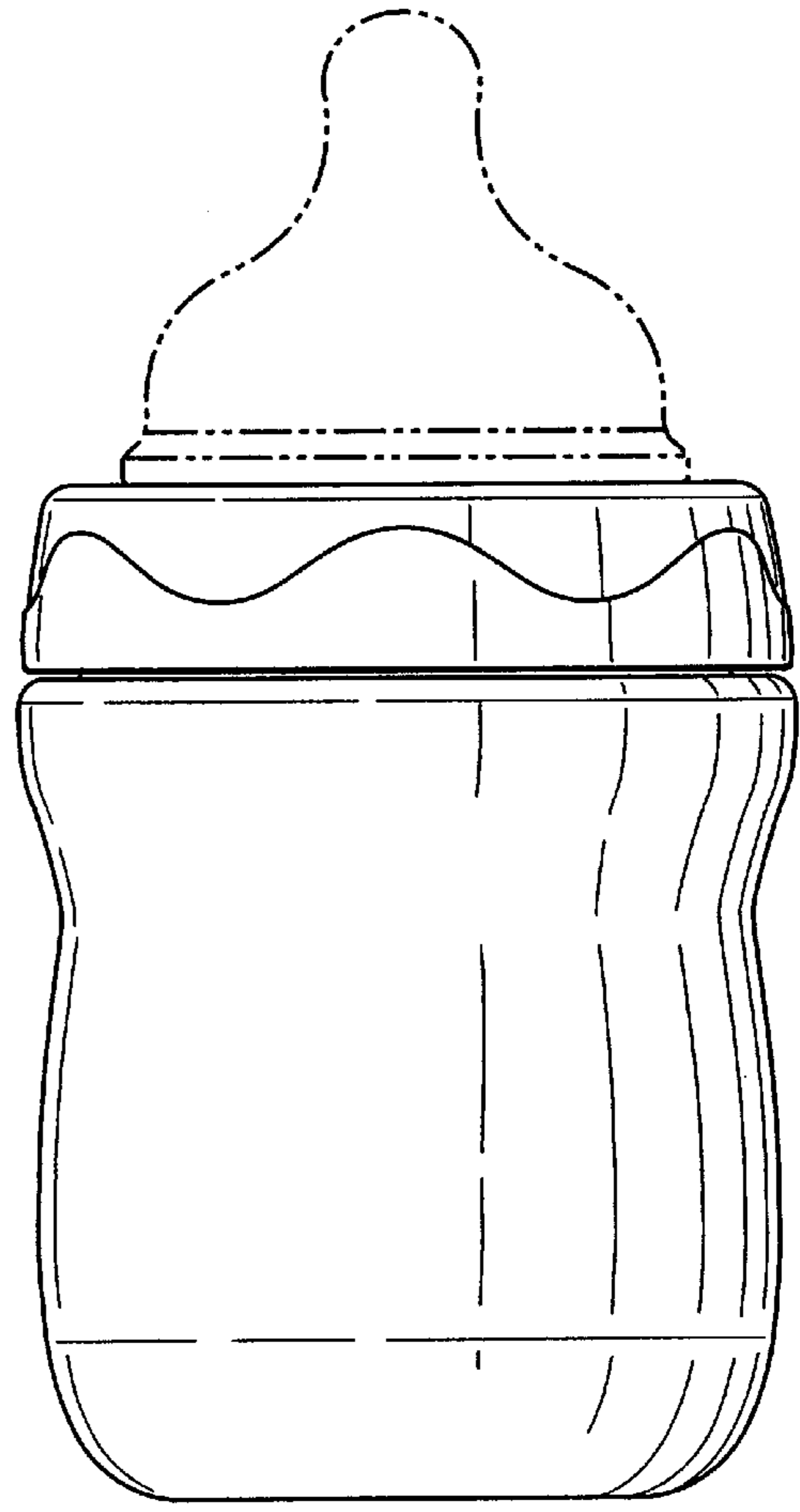
\* cited by examiner



***FIG. 1***

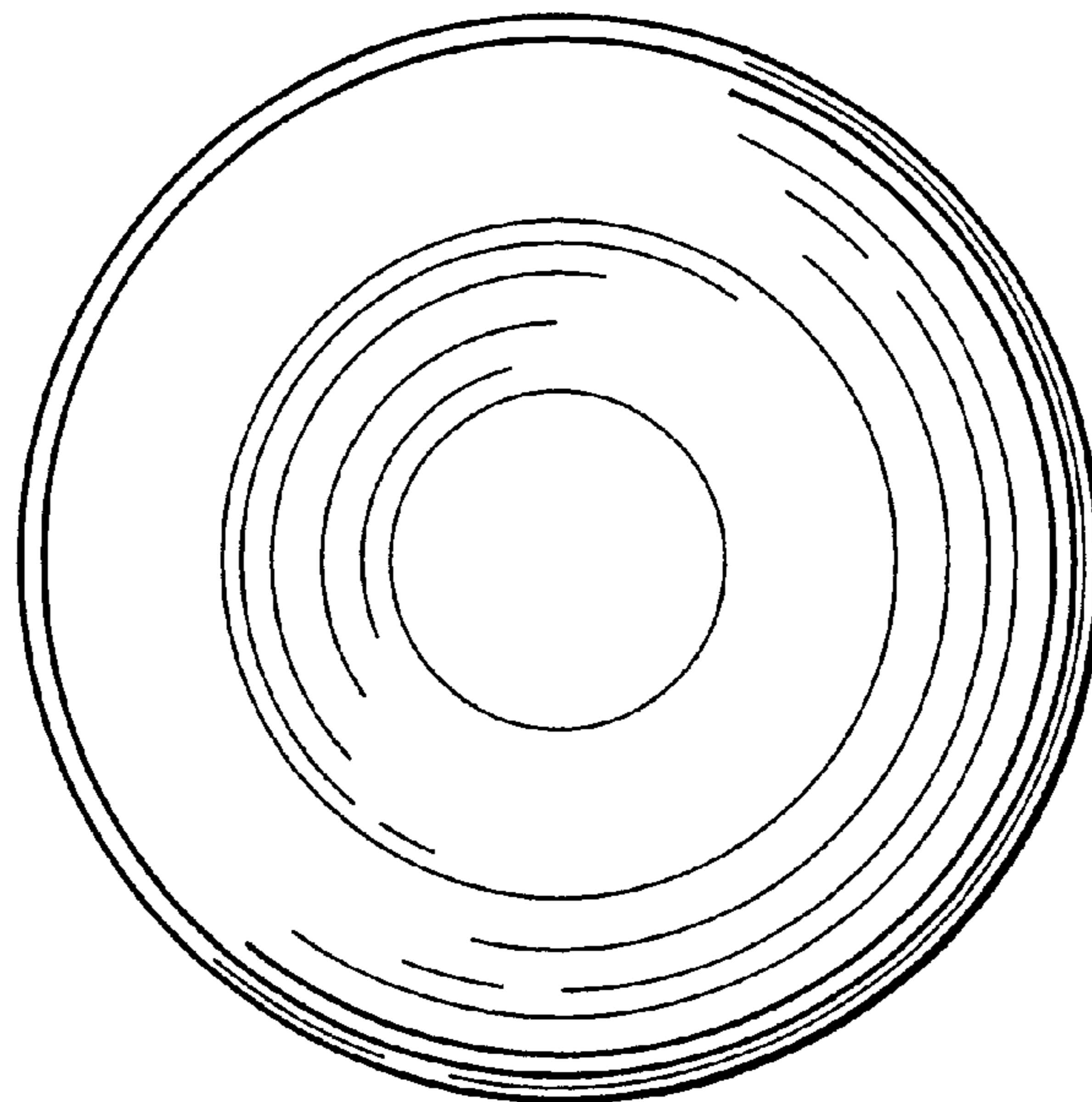
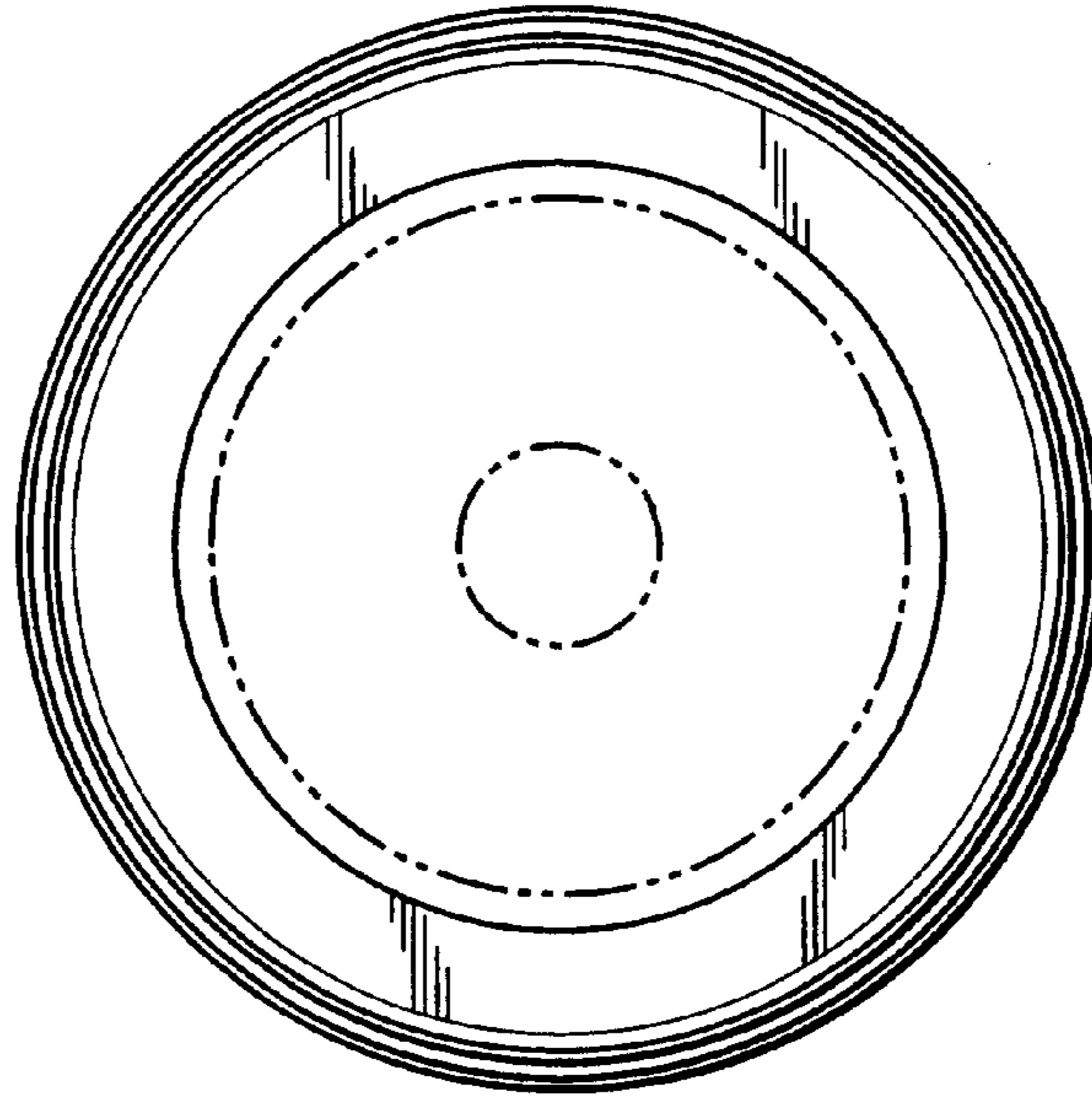


**FIG. 2**

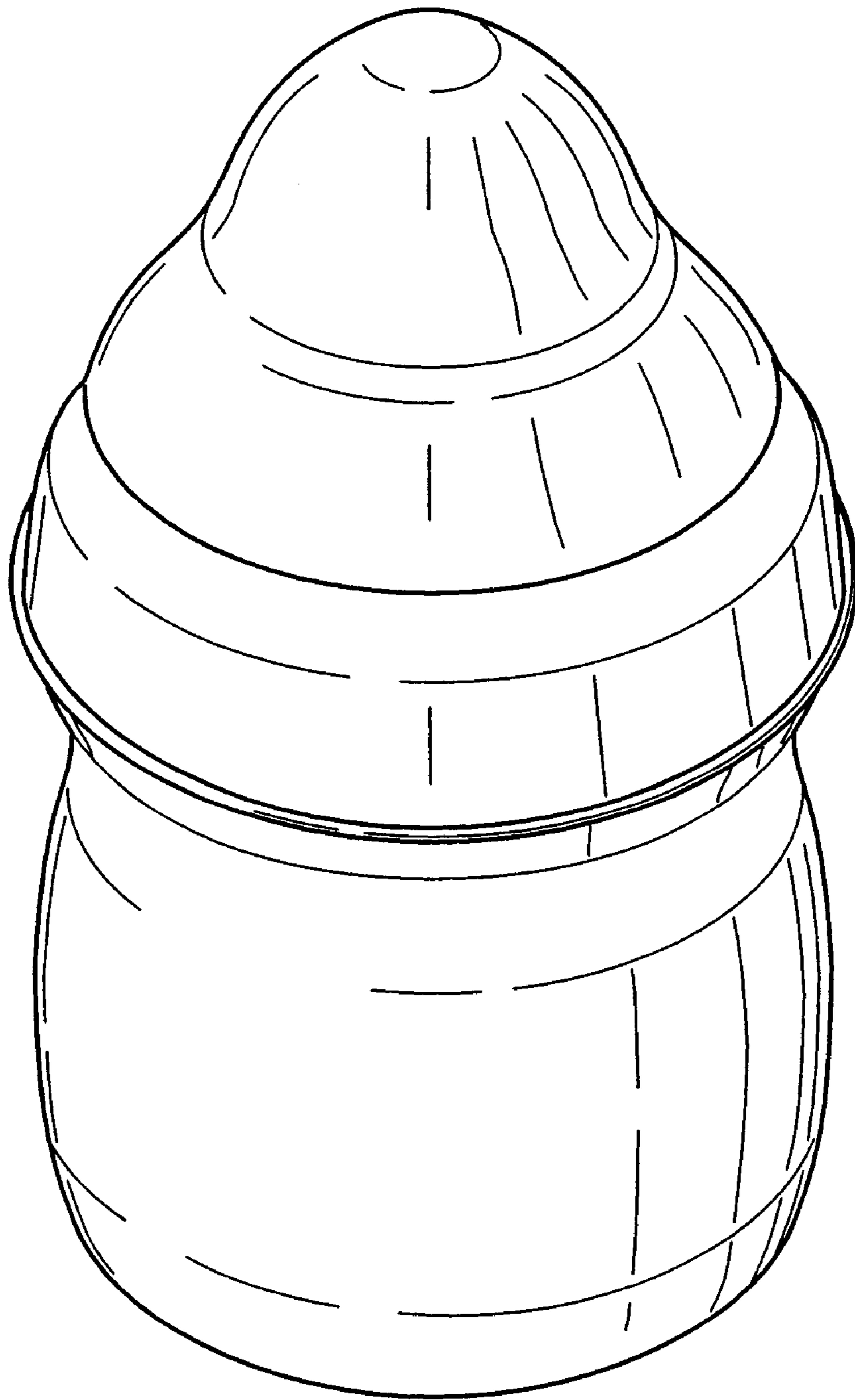


**FIG. 3**

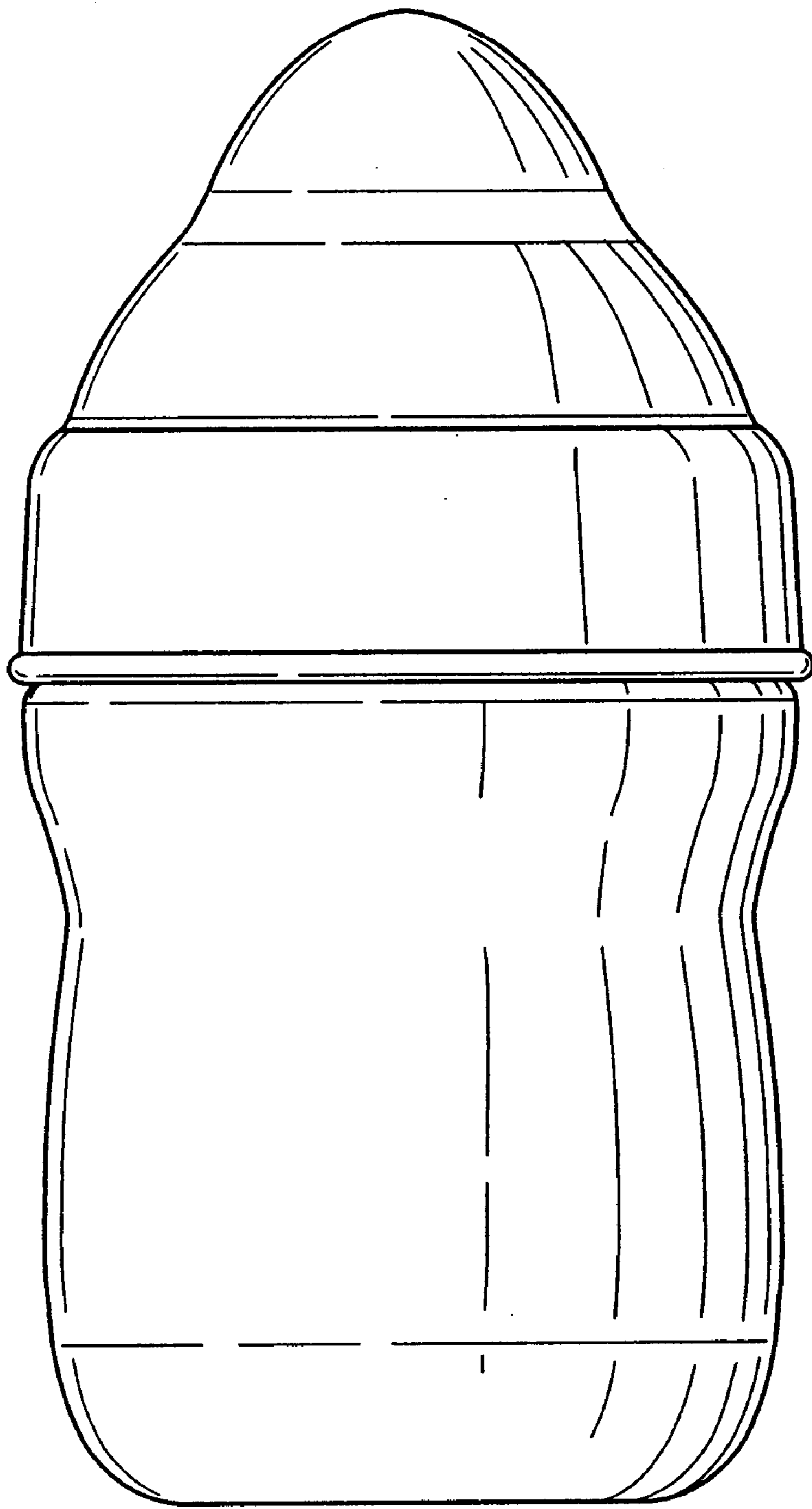
**FIG. 4**



**FIG. 5**



***FIG. 6***



***FIG. 7***