



US00D441081S

(12) **United States Design Patent**  
**Mueller**

(10) **Patent No.:** **US D441,081 S**

(45) **Date of Patent:** **\*\* Apr. 24, 2001**

(54) **COMBINED LIGHT ABSORBING NOSE AND CHEEK STRIP**

(75) Inventor: **Curtis F. Mueller**, Prairie du Sac, WI (US)

(73) Assignee: **Mueller Sports Medicine, Inc.**, Prairie du Sac, WI (US)

(\*\*) Term: **14 Years**

(21) Appl. No.: **29/119,408**

(22) Filed: **Feb. 29, 2000**

(51) **LOC (7) Cl.** ..... **24-04**

(52) **U.S. Cl.** ..... **D24/189; D24/135**

(58) **Field of Search** ..... D24/189, 135; 450/53, 39, 81; 2/15; D2/706; 602/41-52, 79; D28/4; 427/256; 128/858

(56) **References Cited**

**U.S. PATENT DOCUMENTS**

D. 402,413	*	12/1998	Mibus et al. ....	D29/108
D. 402,417	*	12/1998	Mibus et al. ....	D29/108
D. 427,370	*	6/2000	Kalafsky et al. ....	D28/4
4,719,909		1/1988	Micchia et al. .	
5,533,499		7/1996	Johnson .	
5,533,503		7/1996	Doubek et al. .	
5,609,150		3/1997	Maged .	
5,653,224		8/1997	Johnson .	
5,682,607		11/1997	Klein .	
5,706,800		1/1998	Cronk et al. .	
5,711,026		1/1998	Kaltman et al. .	
5,718,224		2/1998	Muchin .	

5,752,524	5/1998	Corcoran .
5,769,089	6/1998	Hand et al. .
5,806,525	9/1998	Pope, Jr. .
5,842,469	12/1998	Rapp et al. .
5,890,486	4/1999	Mitra et al. .
5,918,600	7/1999	Durette .
5,939,142	8/1999	Comiskey et al. .
5,957,126	9/1999	Neeser .

**OTHER PUBLICATIONS**

Advertising Brochure by Mueller Sports Medicine, 1999, advertising No Glare™ strips, p. 19.

\* cited by examiner

*Primary Examiner*—Stella Reid

(74) *Attorney, Agent, or Firm*—Foley & Lardner

(57) **CLAIM**

The ornamental design for the combined light absorbing nose and cheek strip, as shown and described.

**DESCRIPTION**

FIG. 1 is a perspective view of a combined light absorbing nose and cheek strip showing my new design.

FIG. 2 is a front plan view thereof.

FIG. 3 is a top view thereof.

FIG. 4 is a bottom view thereof.

FIG. 5 is a side view thereof taken from the left side of FIG. 2.

FIG. 6 is a side view thereof taken from the right side of FIG. 2; and,

FIG. 7 is a back plan view thereof.

**1 Claim, 1 Drawing Sheet**

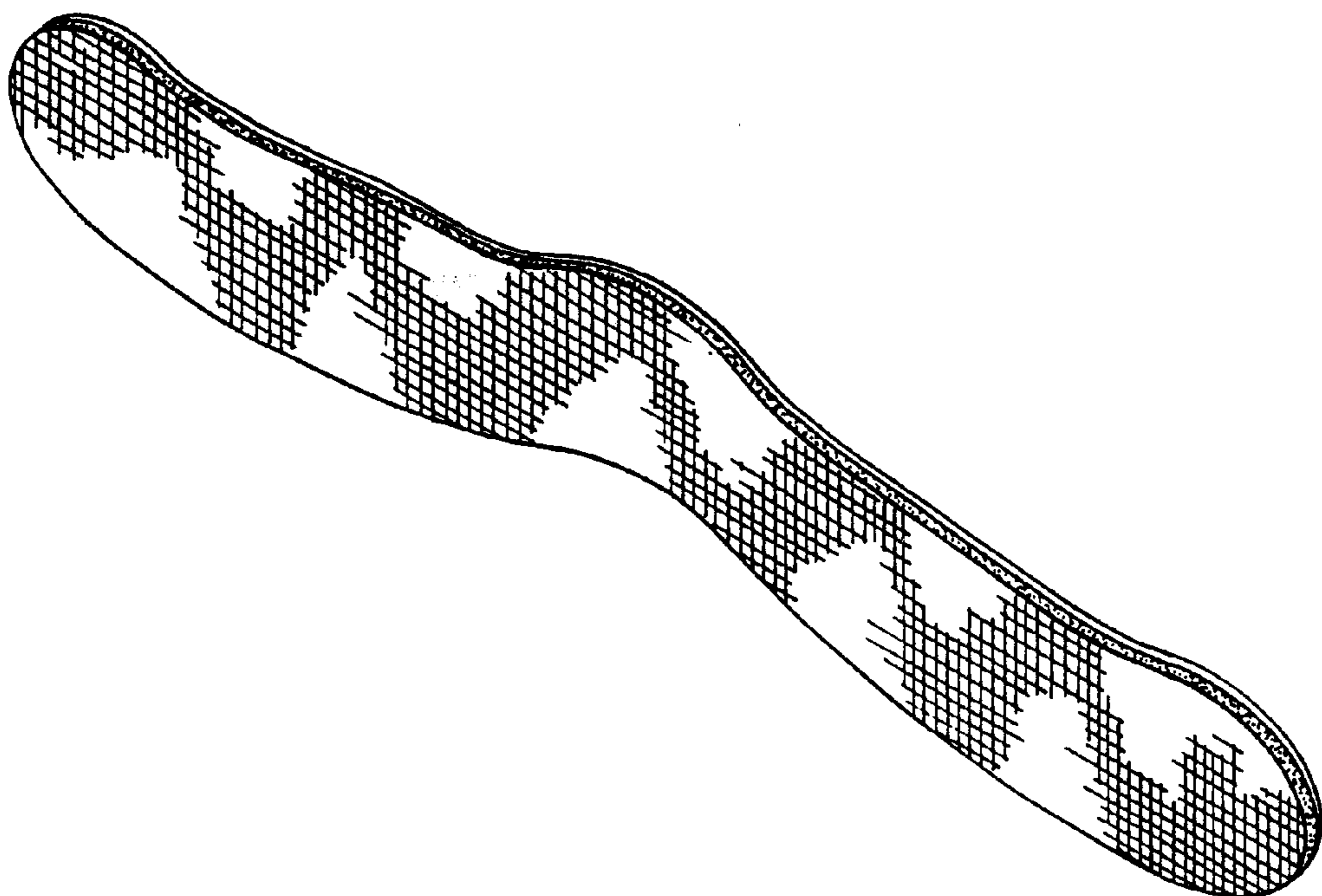


FIG. 1

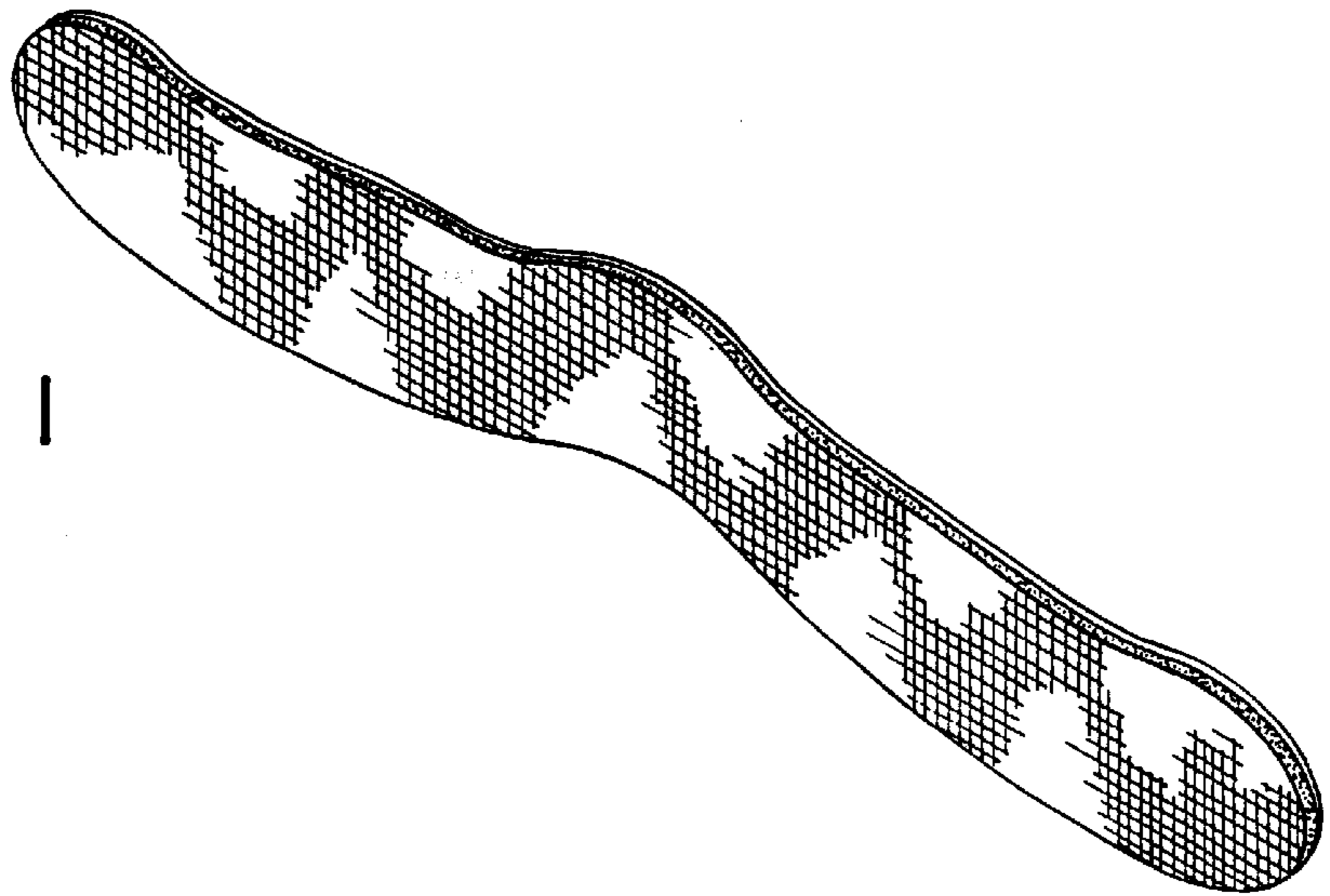


FIG. 2

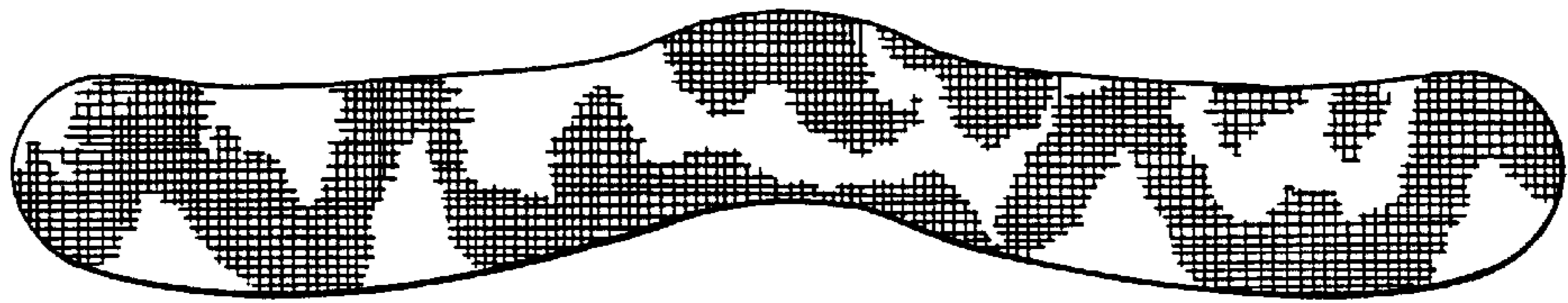


FIG. 3



FIG. 4



FIG. 5



FIG. 6



FIG. 7

