



US00D441080S

(12) **United States Design Patent**  
**Herekar et al.**

(10) **Patent No.:** **US D441,080 S**  
(45) **Date of Patent:** **\*\* Apr. 24, 2001**

(54) **APPARATUS FOR GENERATION AND DELIVERY OF RADIATION**

5,737,058 \* 4/1998 Umemura et al. .... 351/208  
5,802,136 \* 9/1998 Carol ..... 378/65

(75) Inventors: **Satish V. Herekar**, Palo Alto; **Gary C. Ricco**, San Jose; **David W. Laituri**, Palo Alto; **Nicolas A. Denhez**, San Francisco, all of CA (US)

**FOREIGN PATENT DOCUMENTS**

98/22055 5/1998 (WO) .

\* cited by examiner

(73) Assignee: **Sunrise Technologies International, Inc.**, Fremont, CA (US)

*Primary Examiner*—Stella Reid

(74) *Attorney, Agent, or Firm*—Skjerven Morrill MacPherson LLP

(\*\*) Term: **14 Years**

(57) **CLAIM**

(21) Appl. No.: **29/093,169**

The ornamental design for an apparatus for generation and delivery of radiation, as shown and described.

(22) Filed: **Sep. 4, 1998**

**DESCRIPTION**

(51) **LOC (7) Cl.** ..... **24-01**

(52) **U.S. Cl.** ..... **D24/158**

(58) **Field of Search** ..... D24/172, 158;  
378/65, 64, 68, 69; 606/4, 5; 351/245, 244

FIG. 1 is a front, right side isometric view of an apparatus for generation and delivery of radiation, showing our new design;

FIG. 2 is a rear, left side isometric view thereof;

FIG. 3 is a front elevational view thereof;

FIG. 4 is a right side elevational view thereof;

FIG. 5 is a rear elevational view thereof;

FIG. 6 is a left side elevational view thereof;

FIG. 7 is a top plan view thereof; and,

FIG. 8 is a bottom plan view thereof.

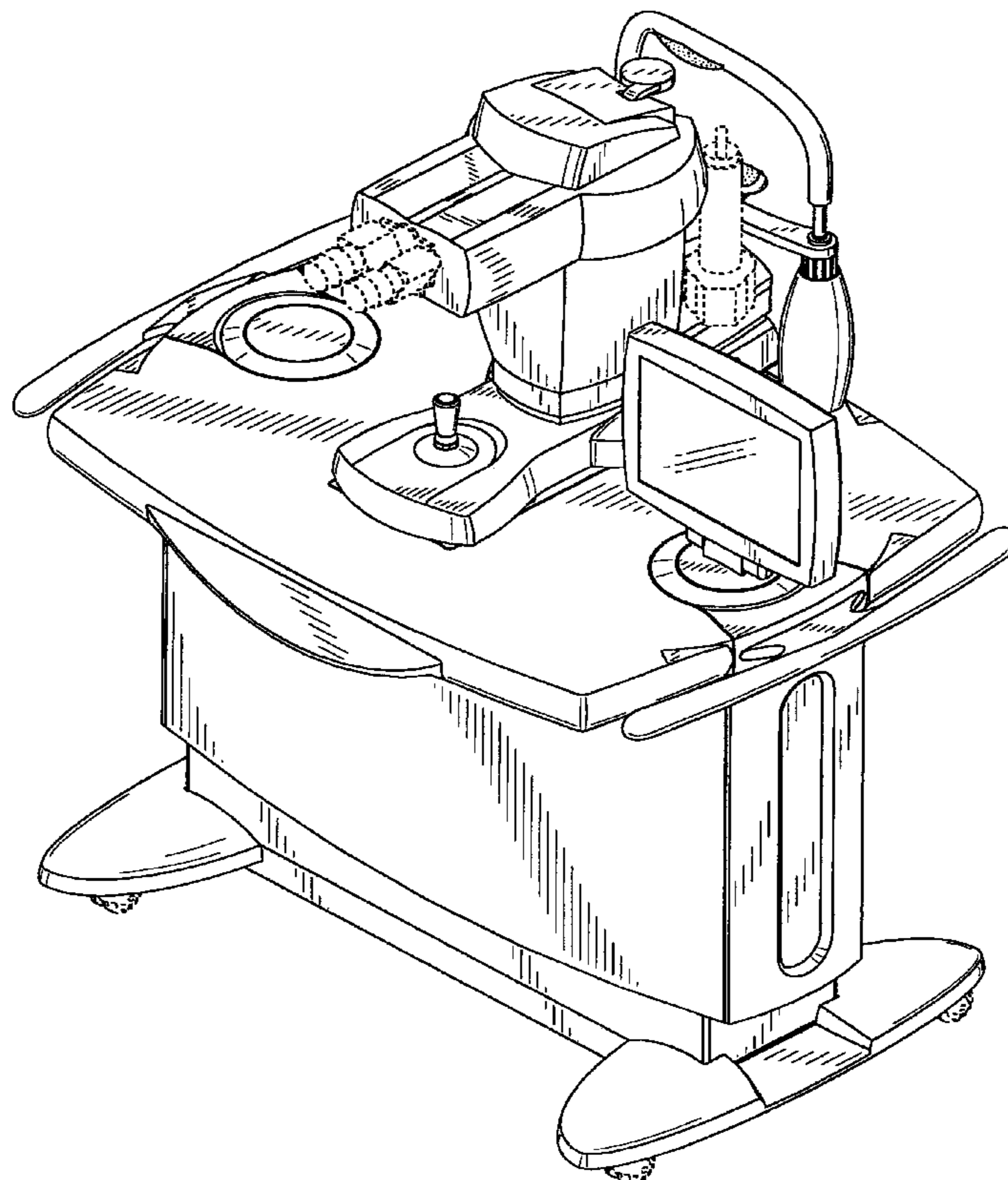
The broken lines in FIGS. 1–8 are for illustrative purposes only and form no part of the claimed design.

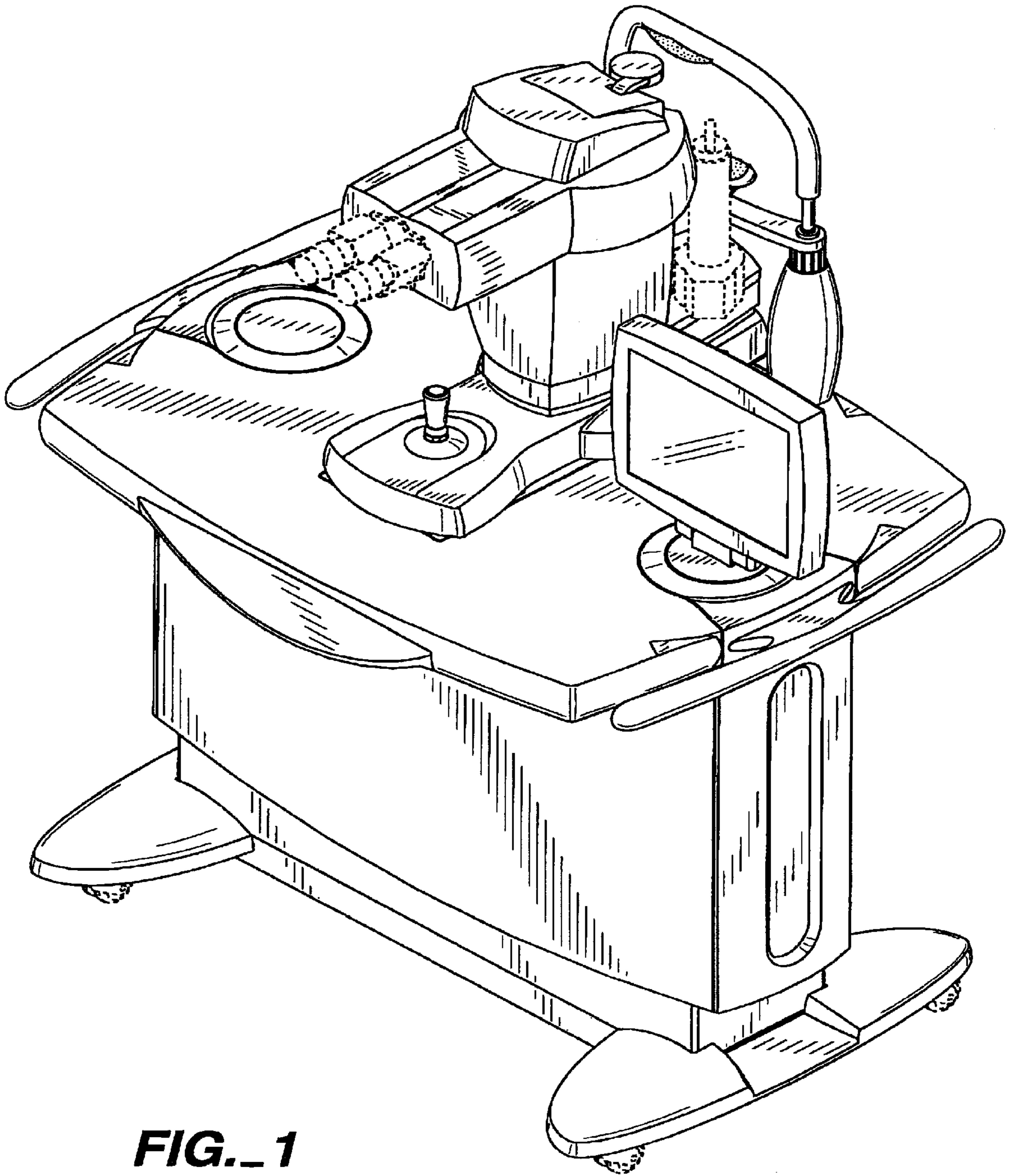
(56) **References Cited**

**U.S. PATENT DOCUMENTS**

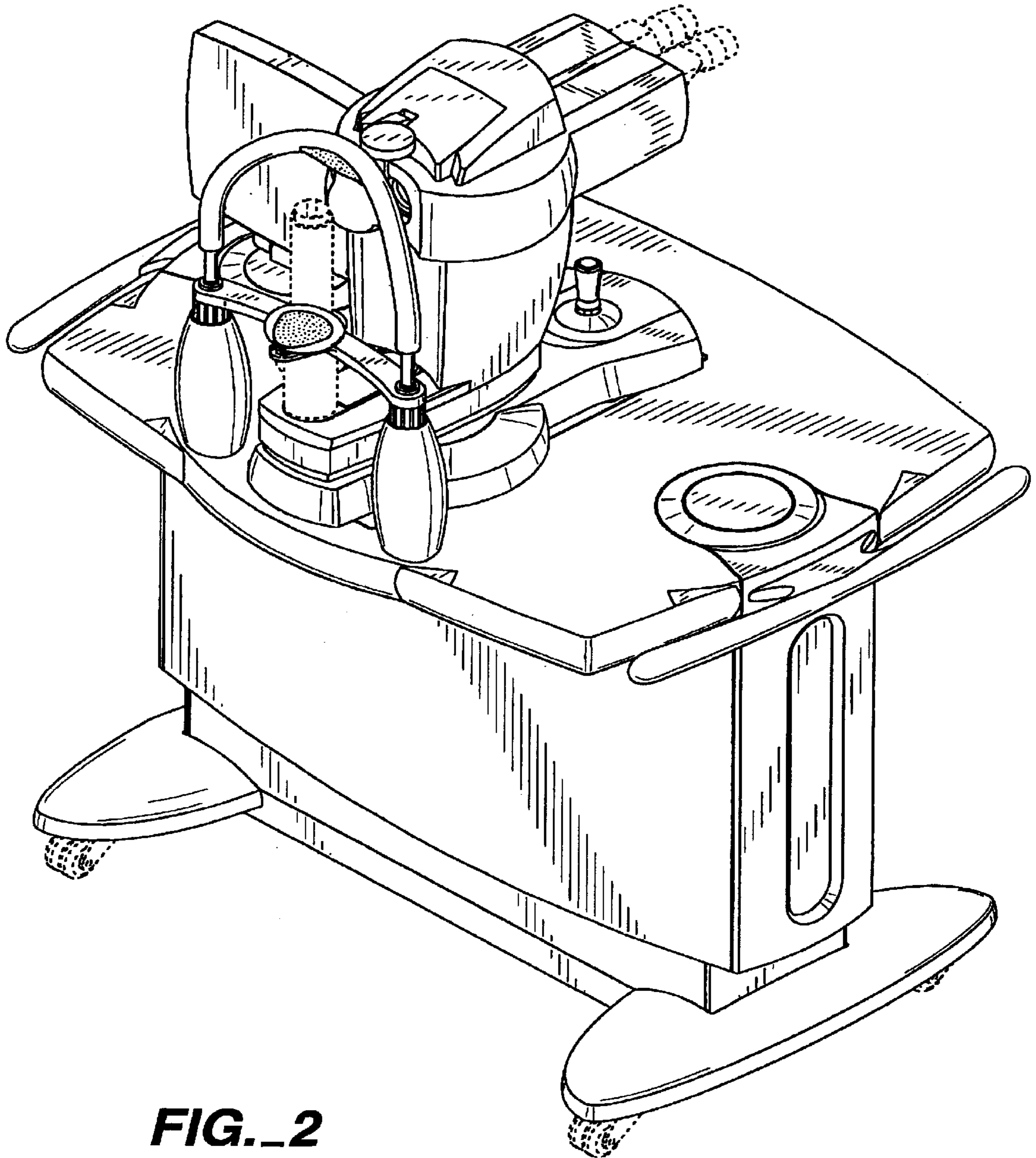
D. 360,465	*	7/1995	Niven	.....	D24/172
4,461,295		7/1984	Herrick	.	
4,638,801		1/1987	Daly et al.	.	
4,726,046	*	2/1988	Nunan	.....	378/65
5,000,563		3/1991	Gisel et al.	.	
5,067,951		11/1991	Greve	.	
5,098,426		3/1992	Sklar et al.	.	
5,230,347		7/1993	Weinstein et al.	.	

**1 Claim, 7 Drawing Sheets**

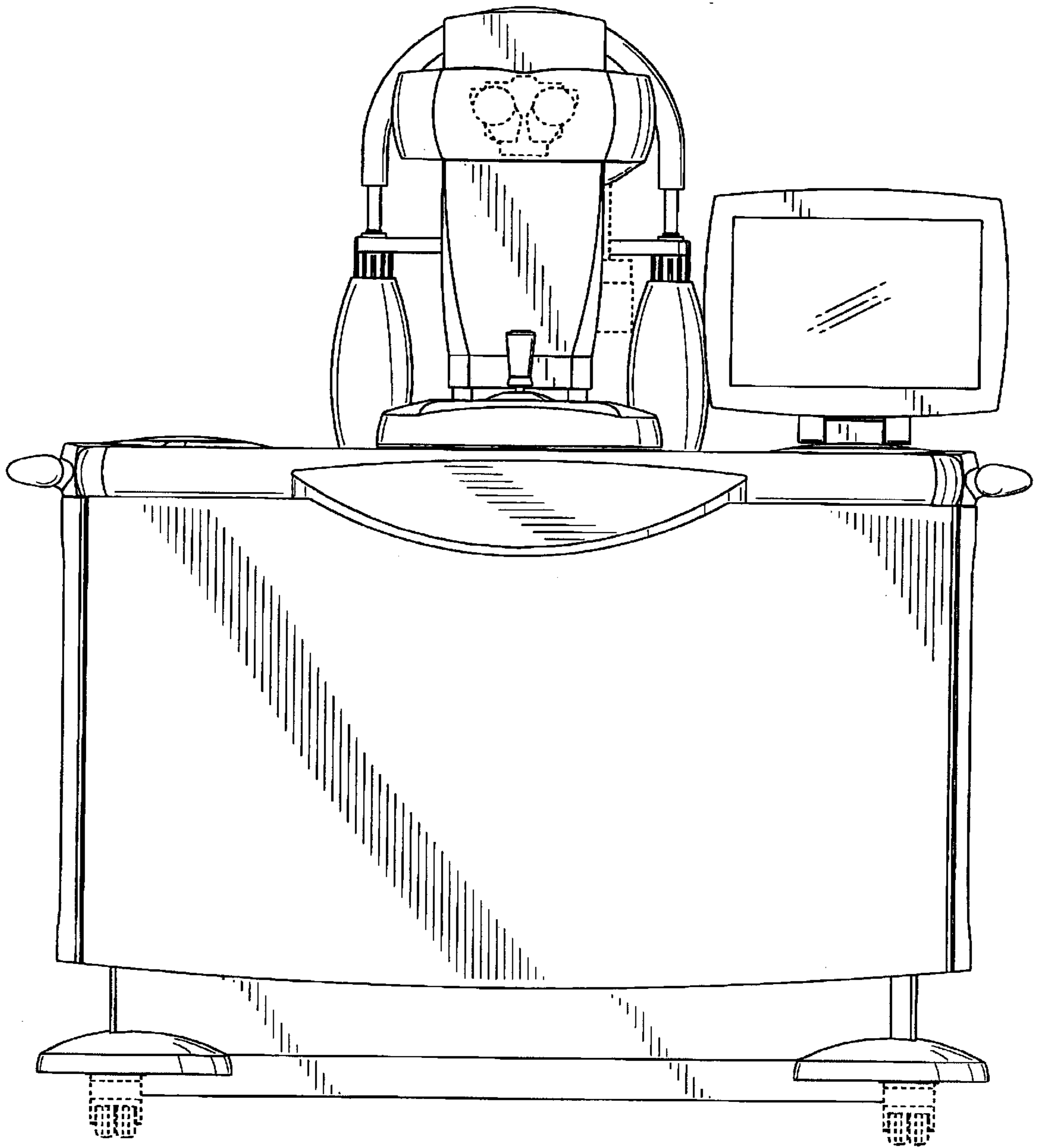




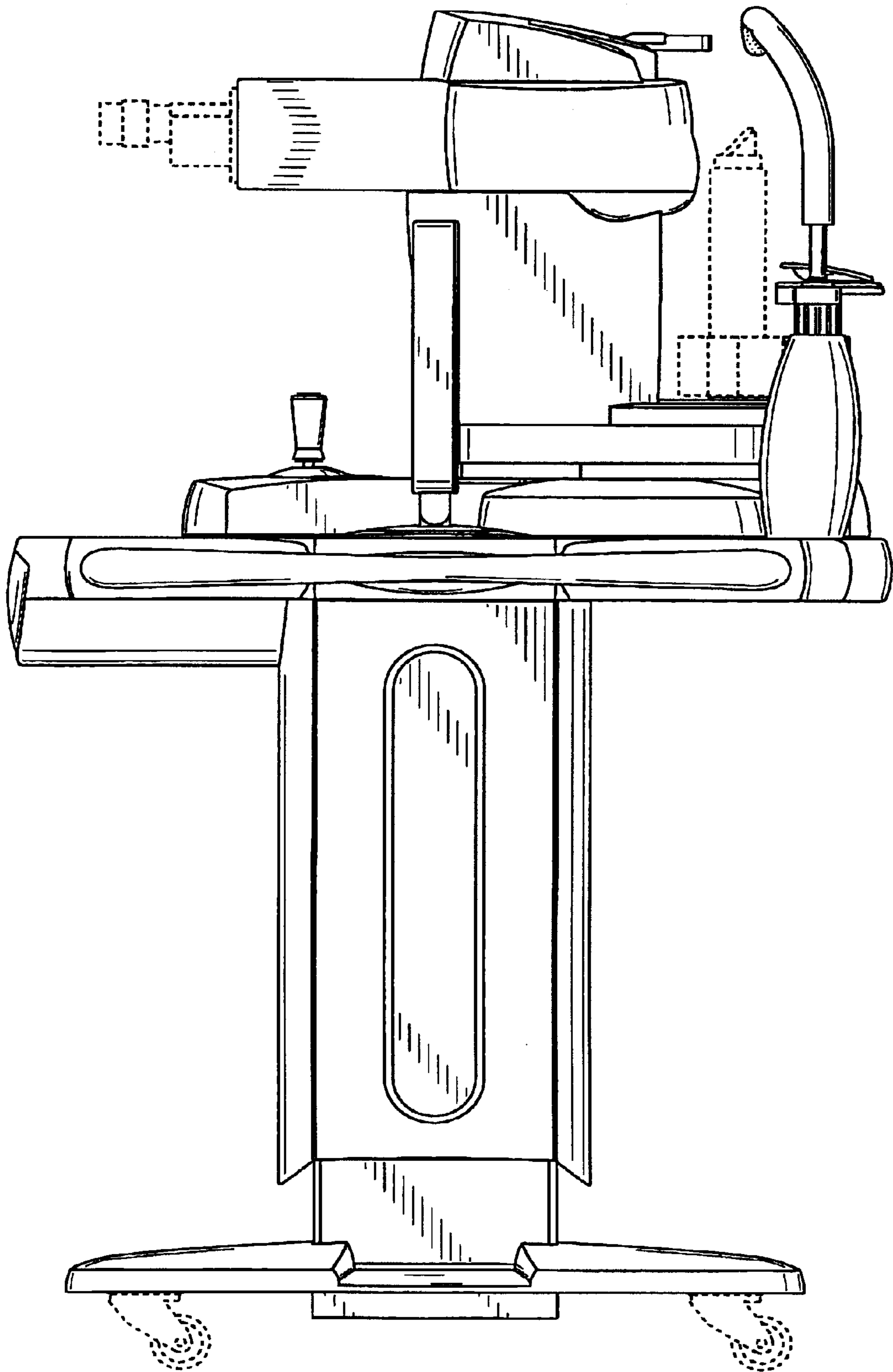
**FIG. 1**



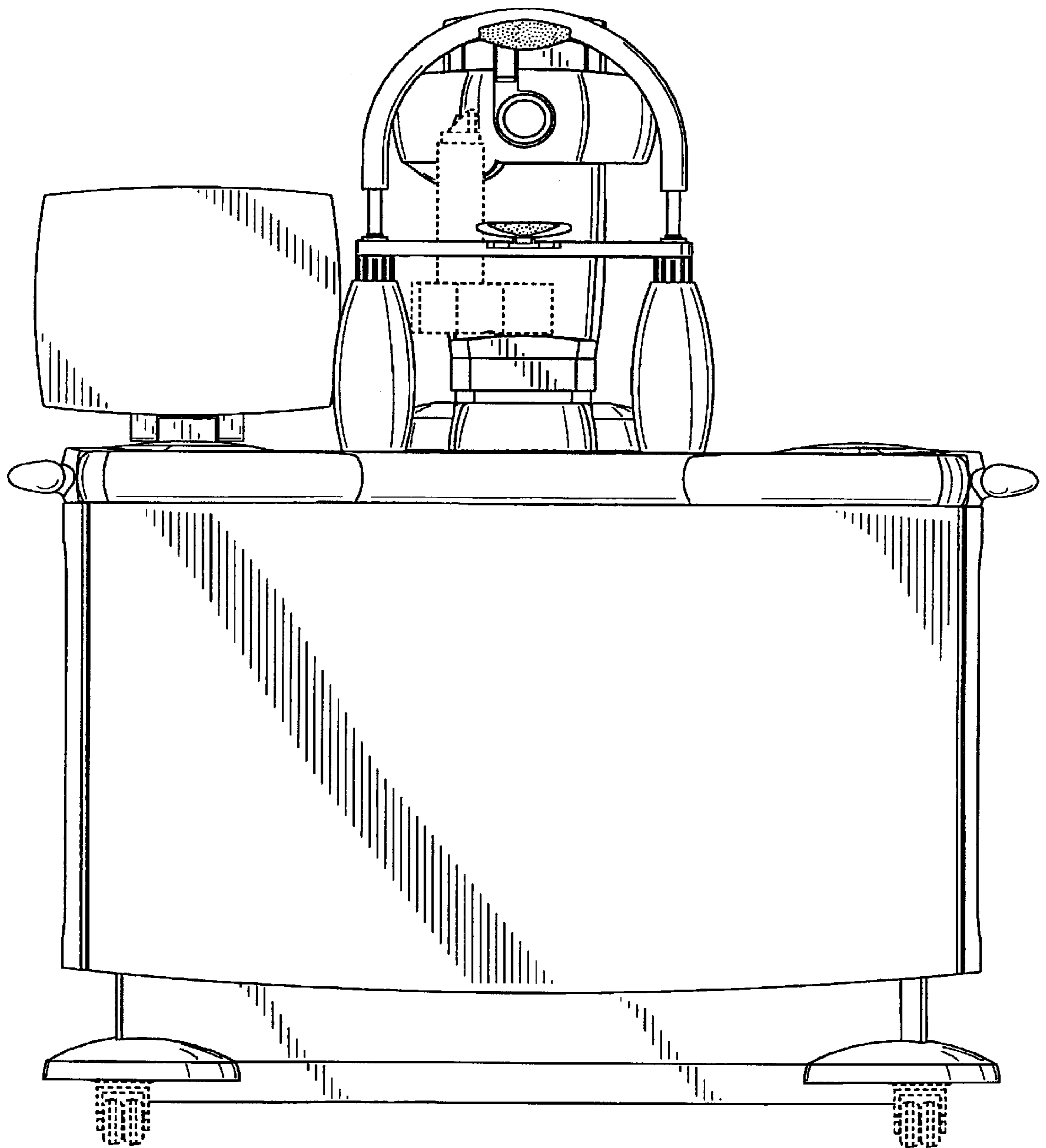
**FIG. 2**



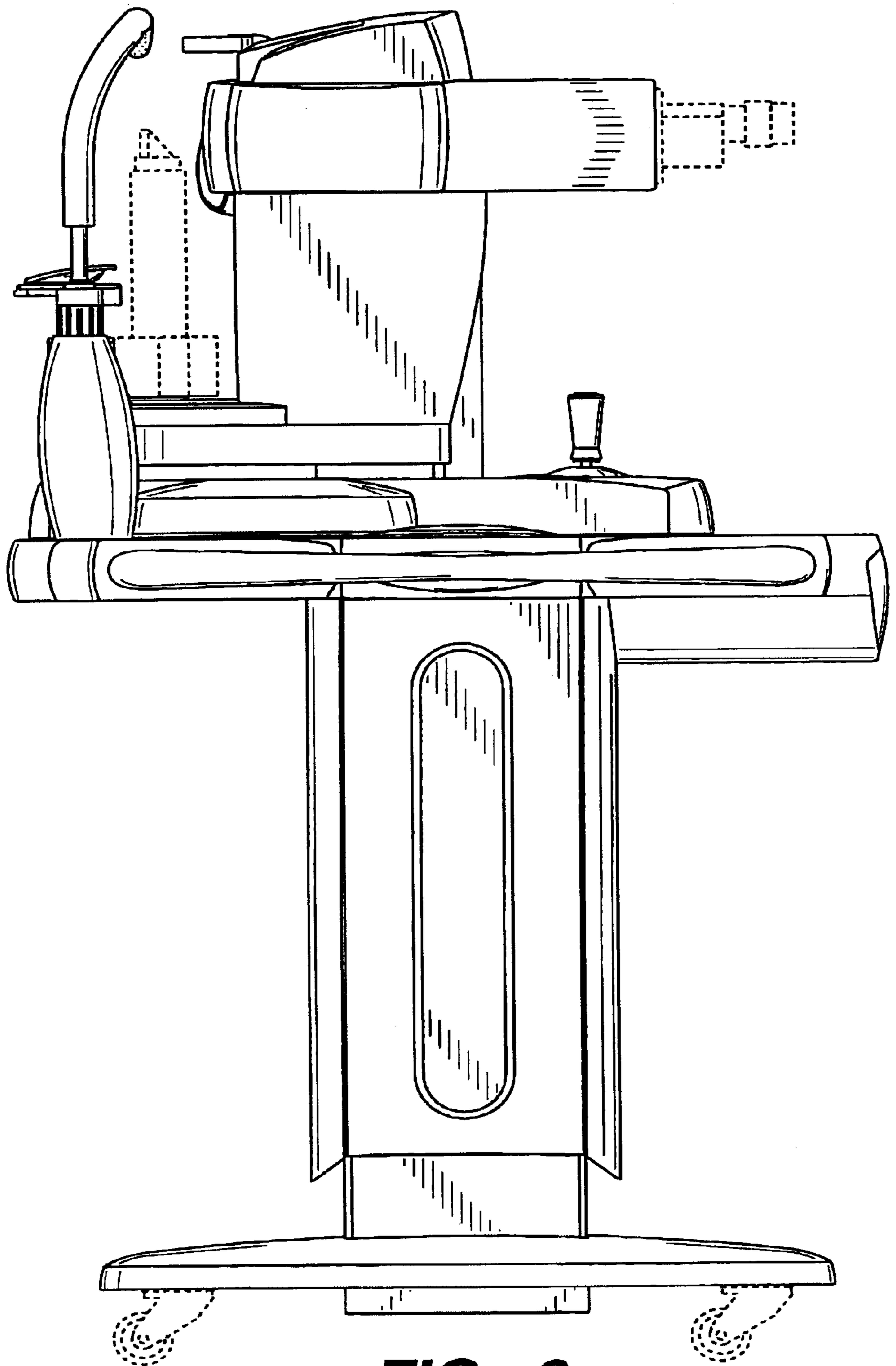
**FIG. 3**



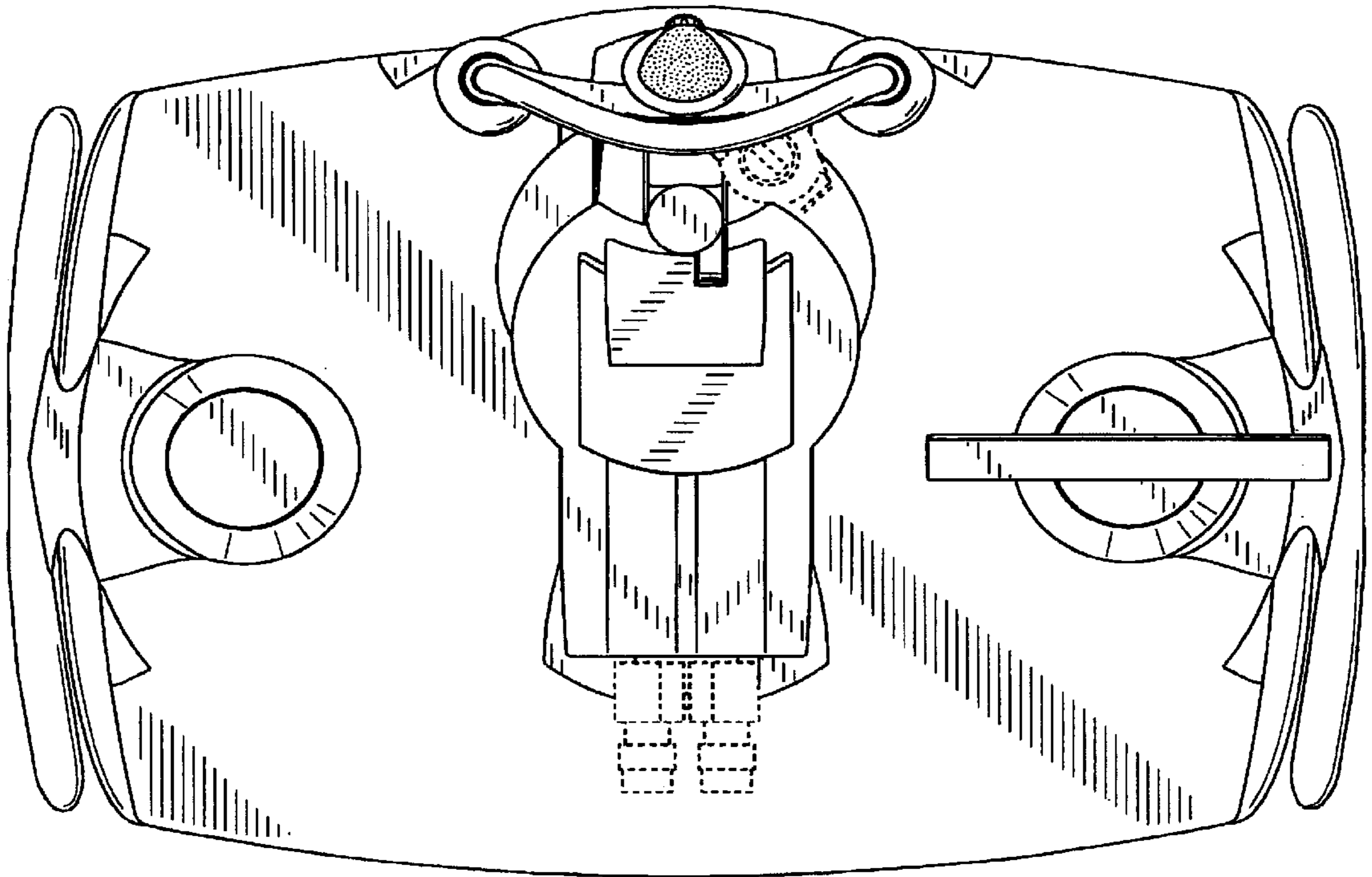
**FIG. 4**



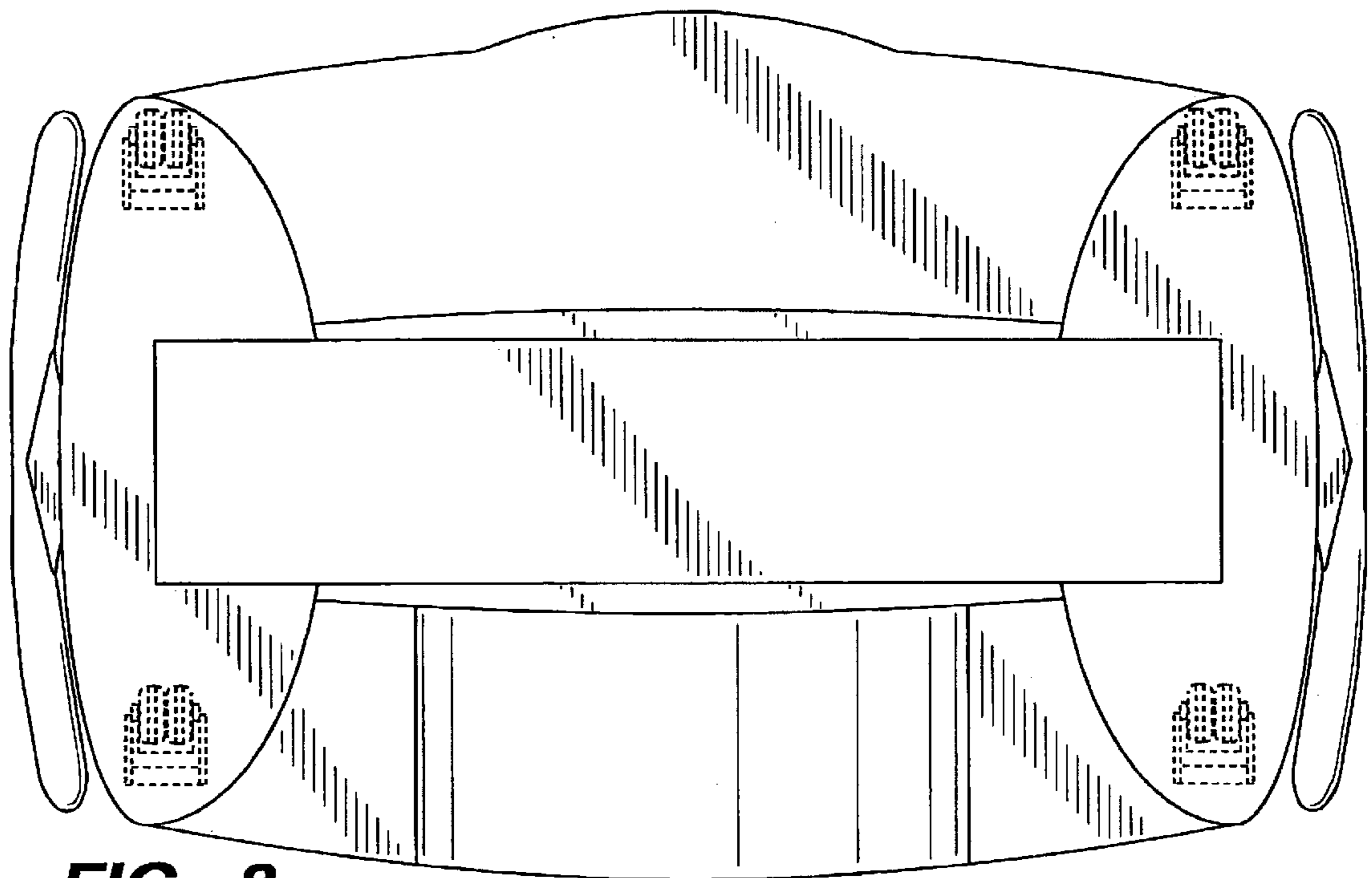
**FIG. 5**



**FIG. 6**



**FIG. 7**



**FIG. 8**