



US00D441079S

(12) **United States Design Patent**
Tipp

(10) **Patent No.:** **US D441,079 S**

(45) **Date of Patent:** **** Apr. 24, 2001**

(54) **COMBINED TONGUE CLEANER AND SHEATH**

D. 384,744 * 10/1997 Sharma D24/147
6,099,540 * 8/2000 Ho 606/161
6,152,939 * 11/2000 Nguyen et al. 606/161

(76) Inventor: **Raymond P. Tipp**, P.O. Box 3778,
Missoula, MT (US) 59806

* cited by examiner

(**) Term: **14 Years**

Primary Examiner—Ian Simmons

(21) Appl. No.: **29/115,976**

(57) **CLAIM**

(22) Filed: **Dec. 27, 1999**

The ornamental design of a combined tongue cleaner and sheath, as shown and described.

(51) **LOC (7) Cl.** **24-02**

DESCRIPTION

(52) **U.S. Cl.** **D24/147; D24/149**

FIG. 1 is a perspective view of my new design for a combined tongue cleaner and sheath;

(58) **Field of Search** D24/147, 149;
606/161, 160; D32/40, 49, 41

FIG. 2 is a top plan view of the tongue cleaner; the bottom view is identical;

(56) **References Cited**

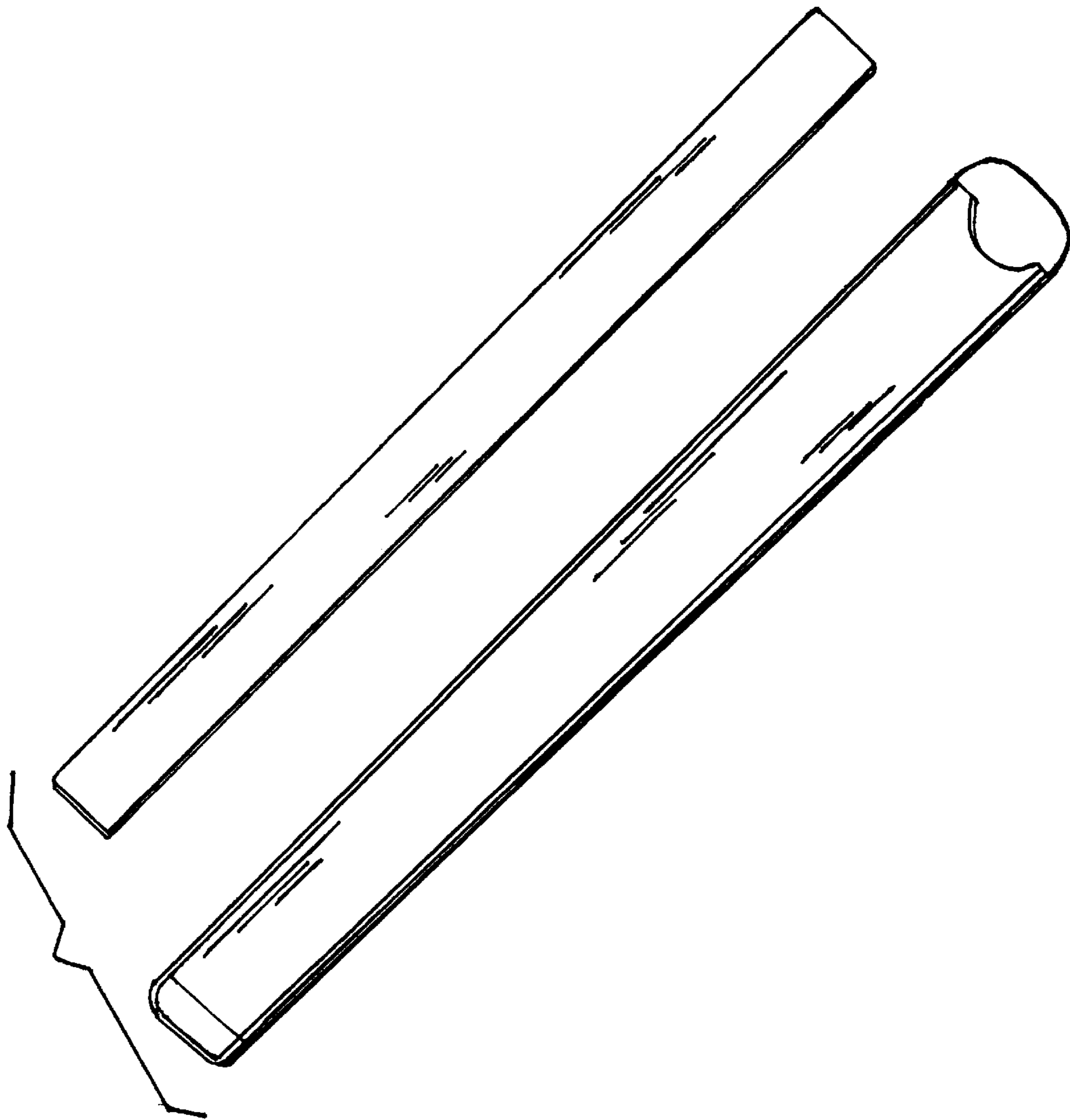
FIG. 3 is a top plan view of the sheath; and,

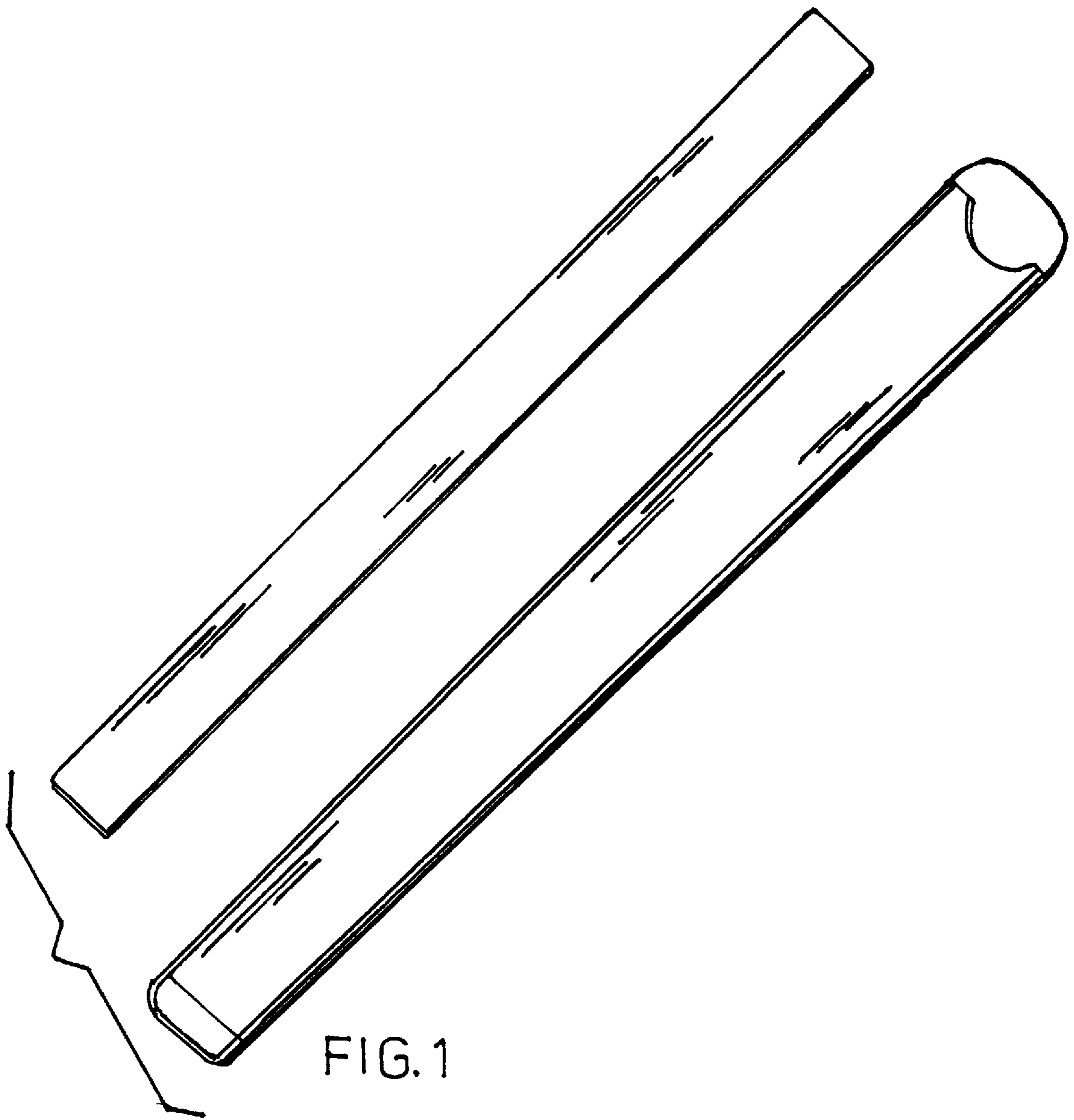
U.S. PATENT DOCUMENTS

FIG. 4 is a bottom plan view of the sheath.

D. 299,055 * 12/1988 Swamy D24/147

1 Claim, 2 Drawing Sheets





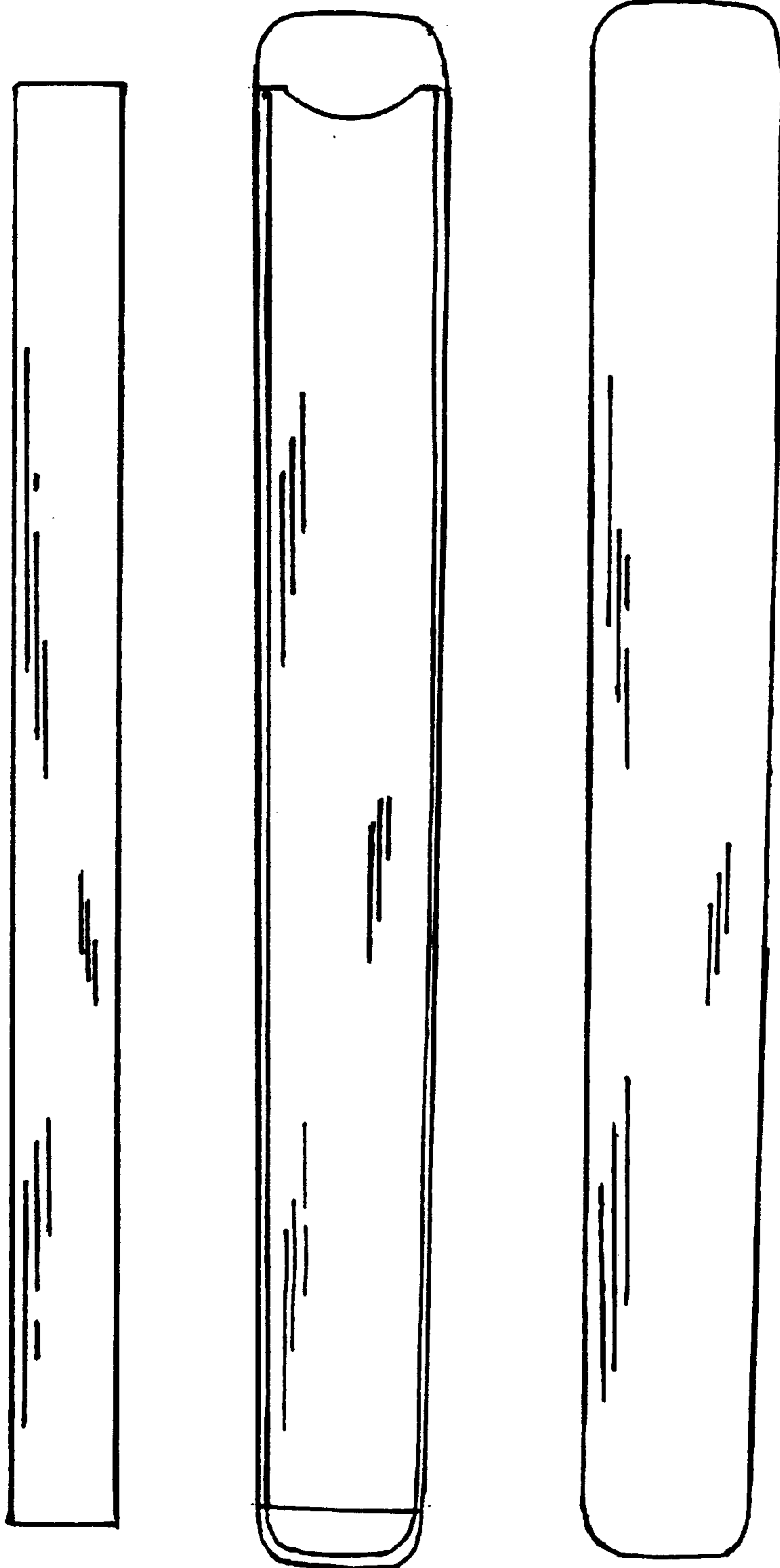


FIG. 2

FIG. 3

FIG. 4