



US00D441077S

(12) **United States Design Patent**
Garito et al.

(10) **Patent No.:** **US D441,077 S**

(45) **Date of Patent:** **** Apr. 24, 2001**

(54) **3-BUTTON ELECTROSURGICAL
HANDPIECE**

(76) Inventors: **Jon C. Garito; Alan G. Ellman**, both
of 1135 Railroad Ave., Hewlett, NY
(US) 11557

(**) Term: **14 Years**

(21) Appl. No.: **29/122,540**

(22) Filed: **May 1, 2000**

(51) **LOC (7) Cl.** **24-02**

(52) **U.S. Cl.** **D24/144**

(58) **Field of Search** D24/144; 606/39,
606/45, 42, 49, 186, 132

(56) **References Cited**

U.S. PATENT DOCUMENTS

D. 246,053 * 10/1977 Staub et al. D24/144

D. 393,067 * 3/1998 Geary et al. D24/144
D. 402,030 * 12/1998 Roberts et al. D24/144
4,688,569 * 8/1987 Rabinowitz 606/42
5,098,430 * 3/1992 Fleenor 606/42
5,246,440 * 9/1993 Noord 606/39

* cited by examiner

Primary Examiner—Ian Simmons

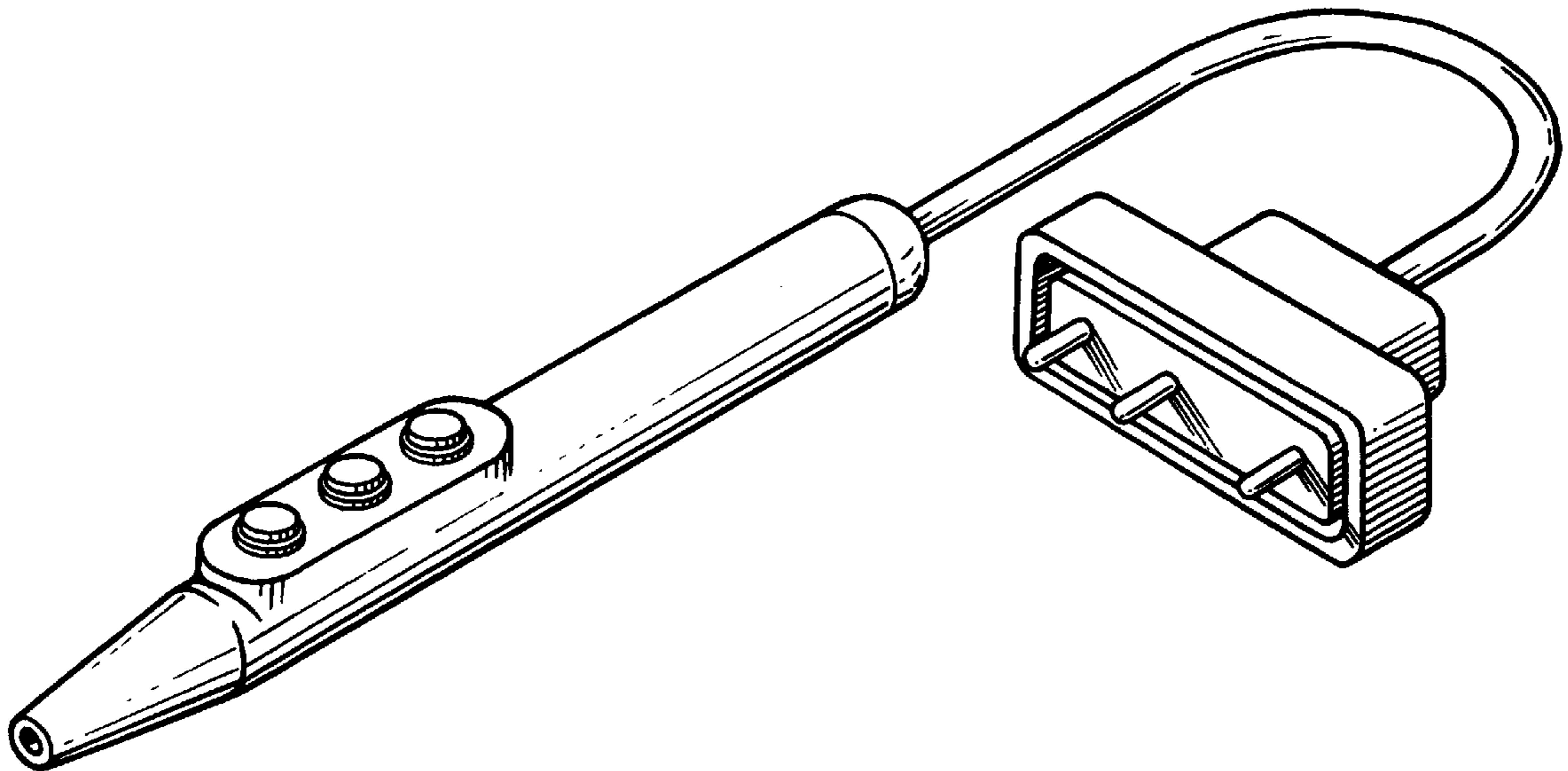
(57) **CLAIM**

The ornamental design for a 3-button electrosurgical hand-
piece, substantially as shown and described.

DESCRIPTION

FIG. 1 is a perspective view of one form of a 3-button
electrosurgical handpiece; and,
FIG. 2 is a view similar to FIG. 1 from a different angle to
show the back and end of the handpiece of FIG. 1.

1 Claim, 1 Drawing Sheet



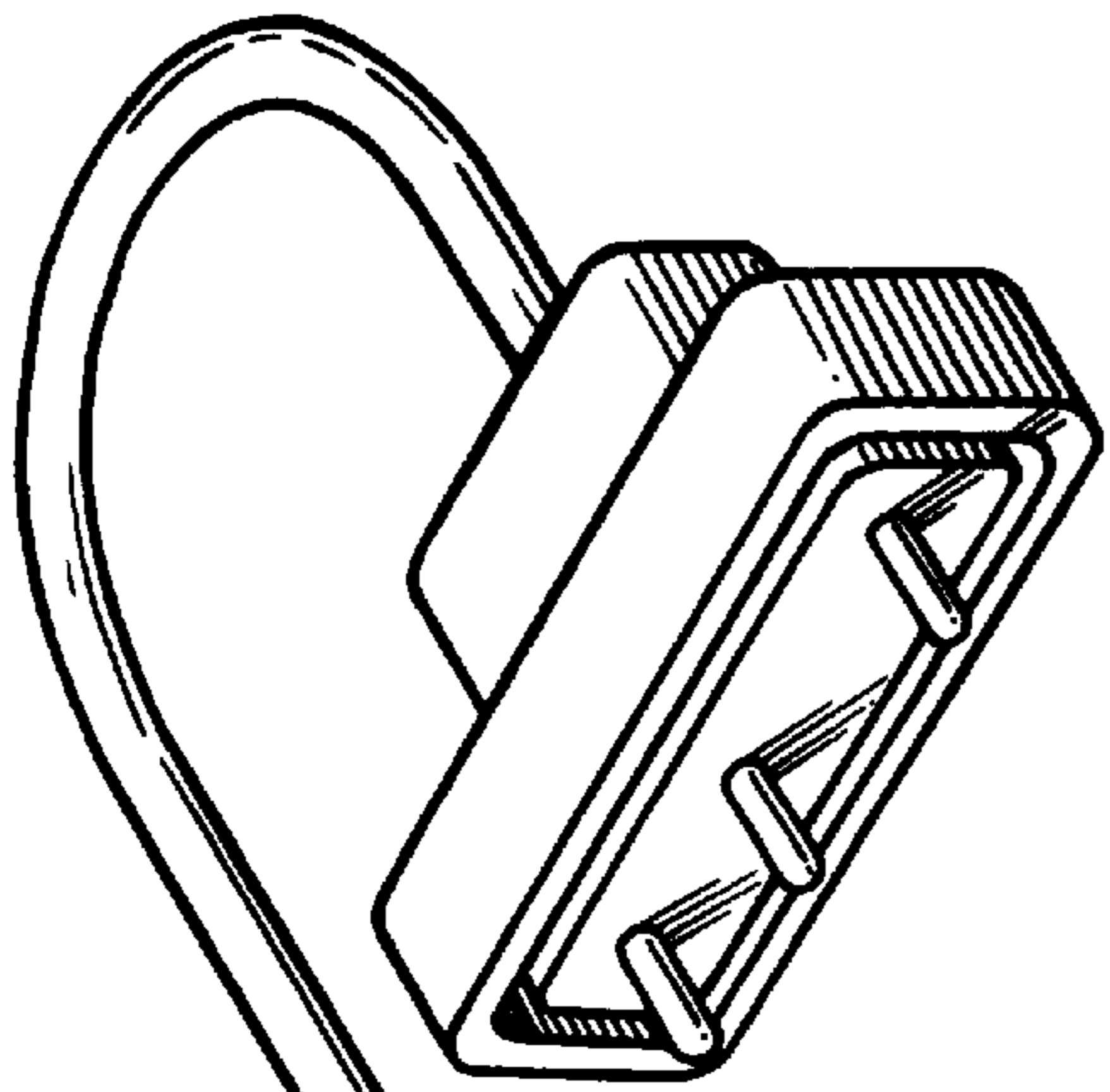


Fig. 1

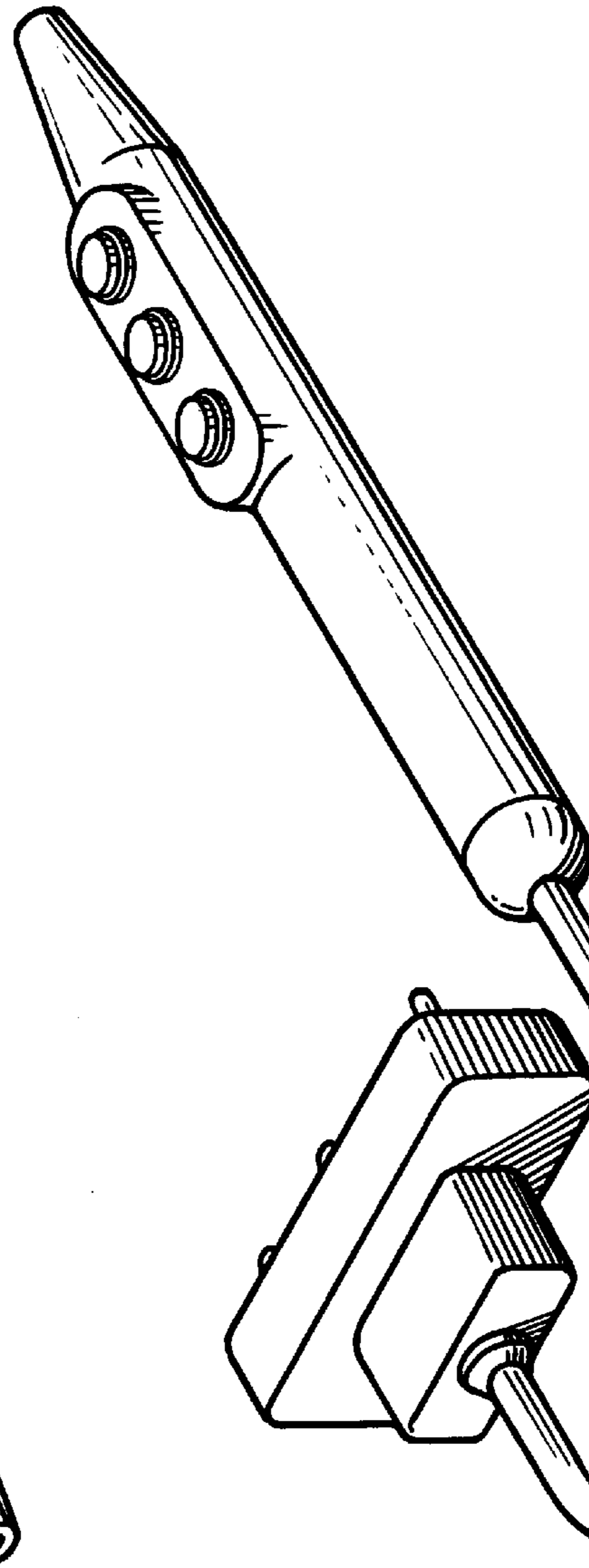


Fig. 2