



US00D441076S

(12) **United States Design Patent**
Cooper et al.

(10) **Patent No.:** **US D441,076 S**

(45) **Date of Patent:** **** Apr. 24, 2001**

(54) **ADAPTOR FOR A MEDICAL INSTRUMENT**

FOREIGN PATENT DOCUMENTS

(75) Inventors: **Thomas Cooper**, Menlo Park; **Chris Julian**, Los Gatos; **Stephen J. Blumenkranz**, Redwood City, all of CA (US)

WO 98/25666 6/1998 (WO) .

* cited by examiner

(73) Assignee: **Intuitive Surgical, Inc.**, Mountain View, CA (US)

Primary Examiner—Stella Reid
(74) *Attorney, Agent, or Firm*—Townsend Townsend & Crew LLP; Mark D. Barrish, Esq.

(**) Term: **14 Years**

(57) **CLAIM**

(21) Appl. No.: **29/097,551**

The ornamental design for an adaptor for a medical instrument, as shown and described.

(22) Filed: **Dec. 8, 1998**

DESCRIPTION

(51) **LOC (7) Cl.** **24-02**

(52) **U.S. Cl.** **D24/133**

(58) **Field of Search** D24/133, 138;
600/101, 102, 117, 185; 606/139, 130;
128/4, 6; 901/2, 9

This application is related to concurrently filed applications Ser. No. 29/097,554, filed Dec. 8, 1998, application Ser. No. 29/097,552, filed Dec. 8, 1998, application Ser. No. 29/097,550, filed Dec. 8, 1998, the disclosures of which are herein incorporated by reference for all purposes.

FIG. 1 is a front perspective view of an adaptor for a medical instrument, showing our new design;

FIG. 2 is a back perspective view thereof;

FIG. 3 is a top plan view thereof;

FIG. 4 is a bottom plan view thereof; and

FIG. 5 is a rear elevational view thereof;

FIG. 6 is a front elevational view thereof; and,

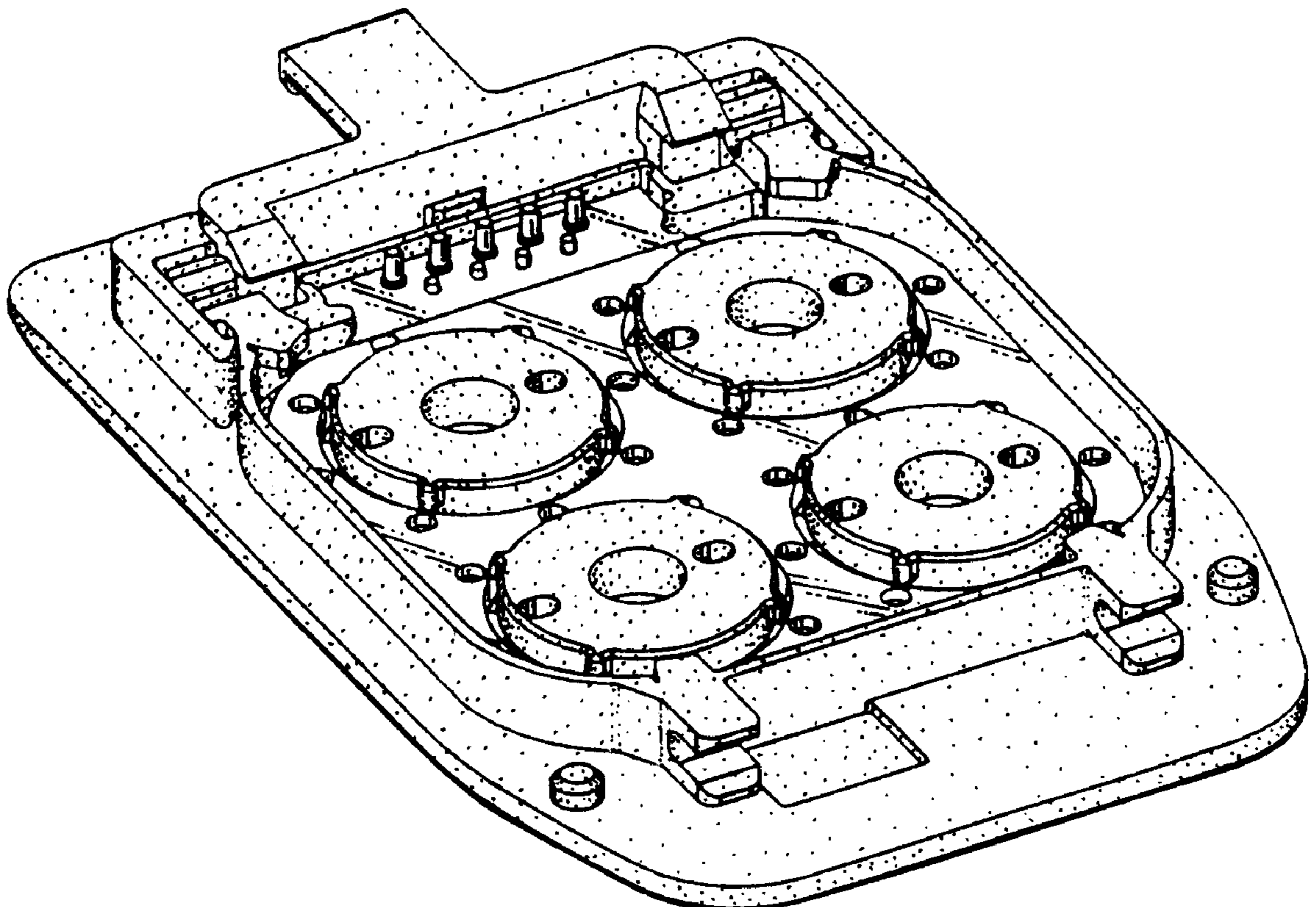
FIG. 7 is a right side elevational view, thereof the left side elevational view being a mirror image.

(56) **References Cited**

U.S. PATENT DOCUMENTS

5,125,394	*	6/1992	Chatenever et al.	600/112
5,184,601		2/1993	Putnam	128/4
5,623,582	*	4/1997	Rosenberg	395/99
5,814,038		9/1998	Jensen et al.	.
5,855,583		1/1999	Wang et al.	600/139
5,876,325	*	3/1999	Mizuno et al.	600/102
5,911,036	*	6/1999	Wright et al.	395/94

1 Claim, 3 Drawing Sheets



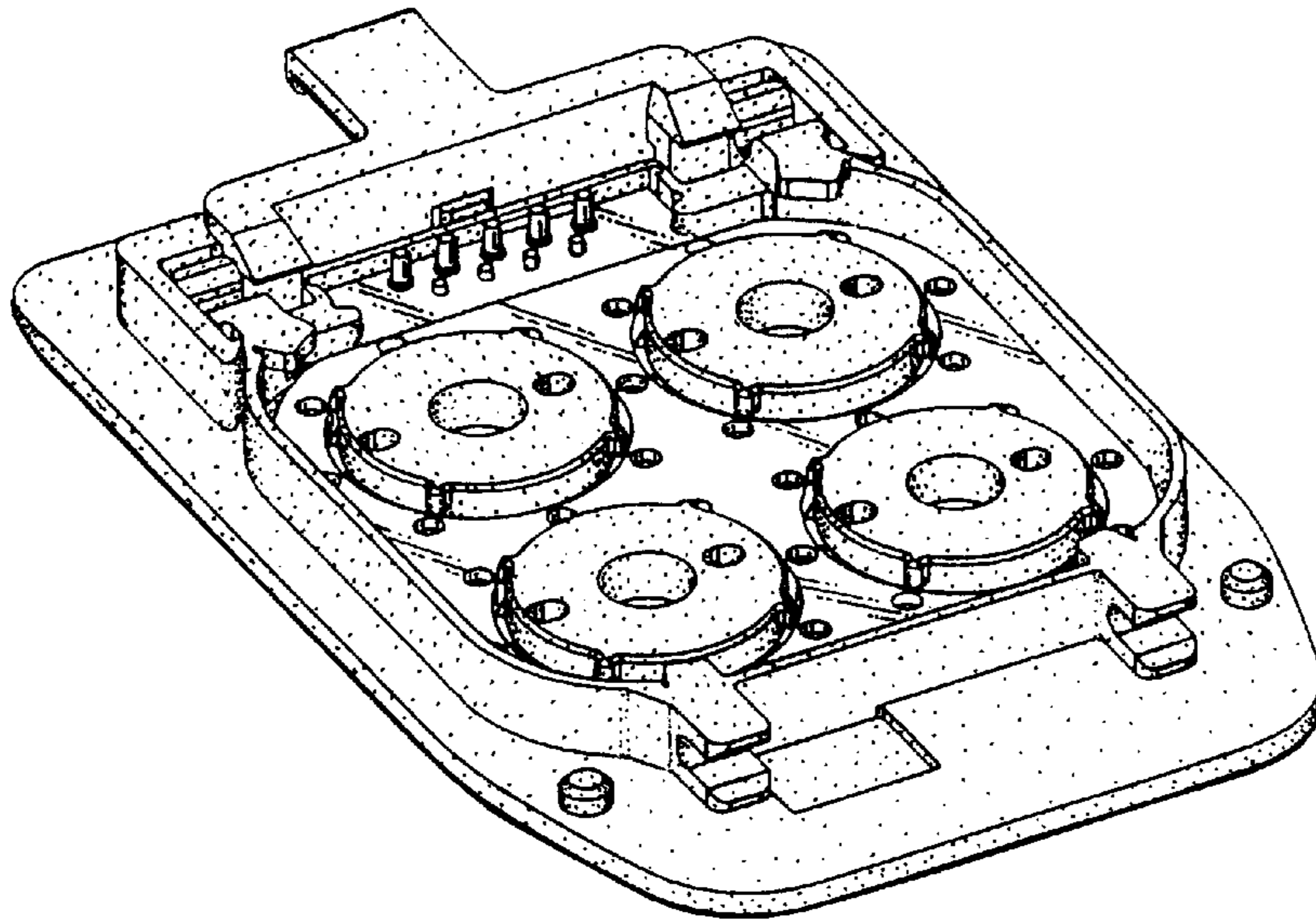


FIG. 1.

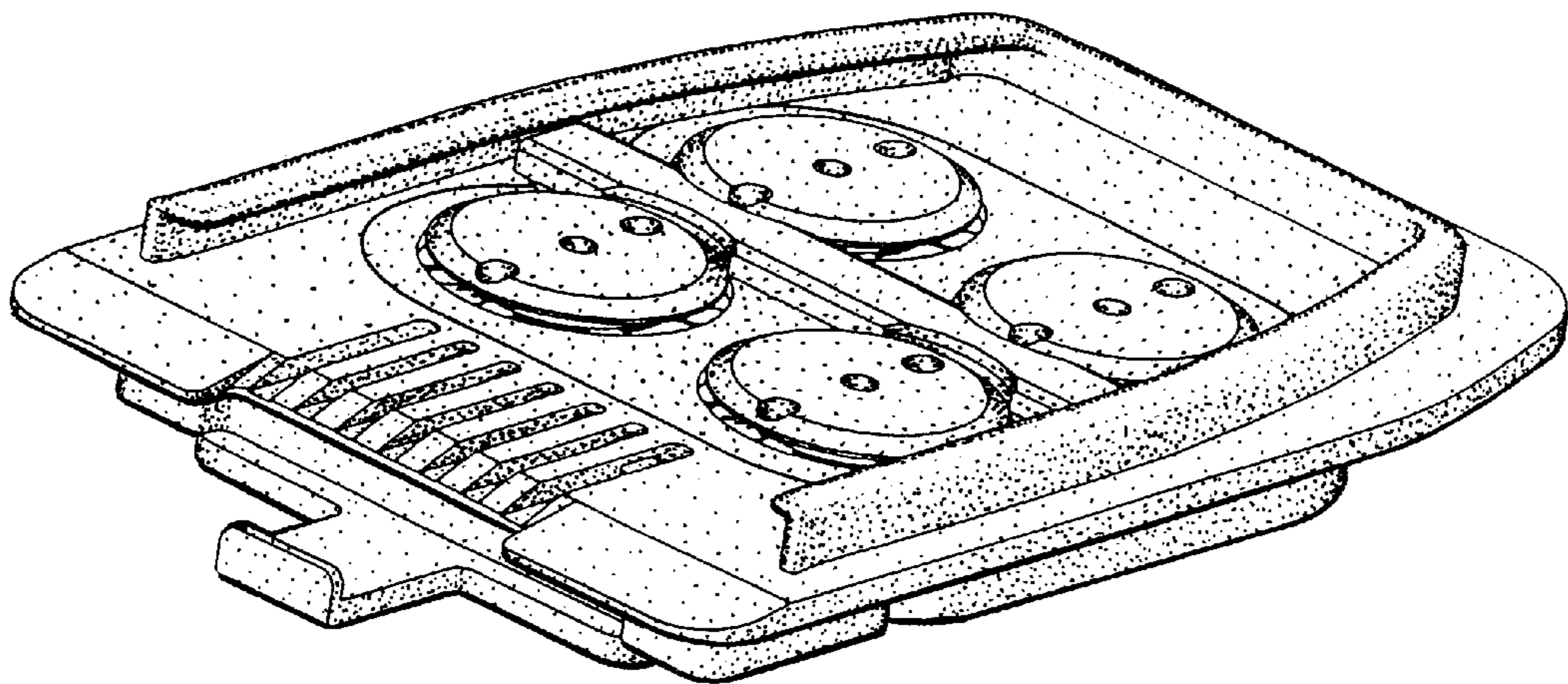


FIG. 2.

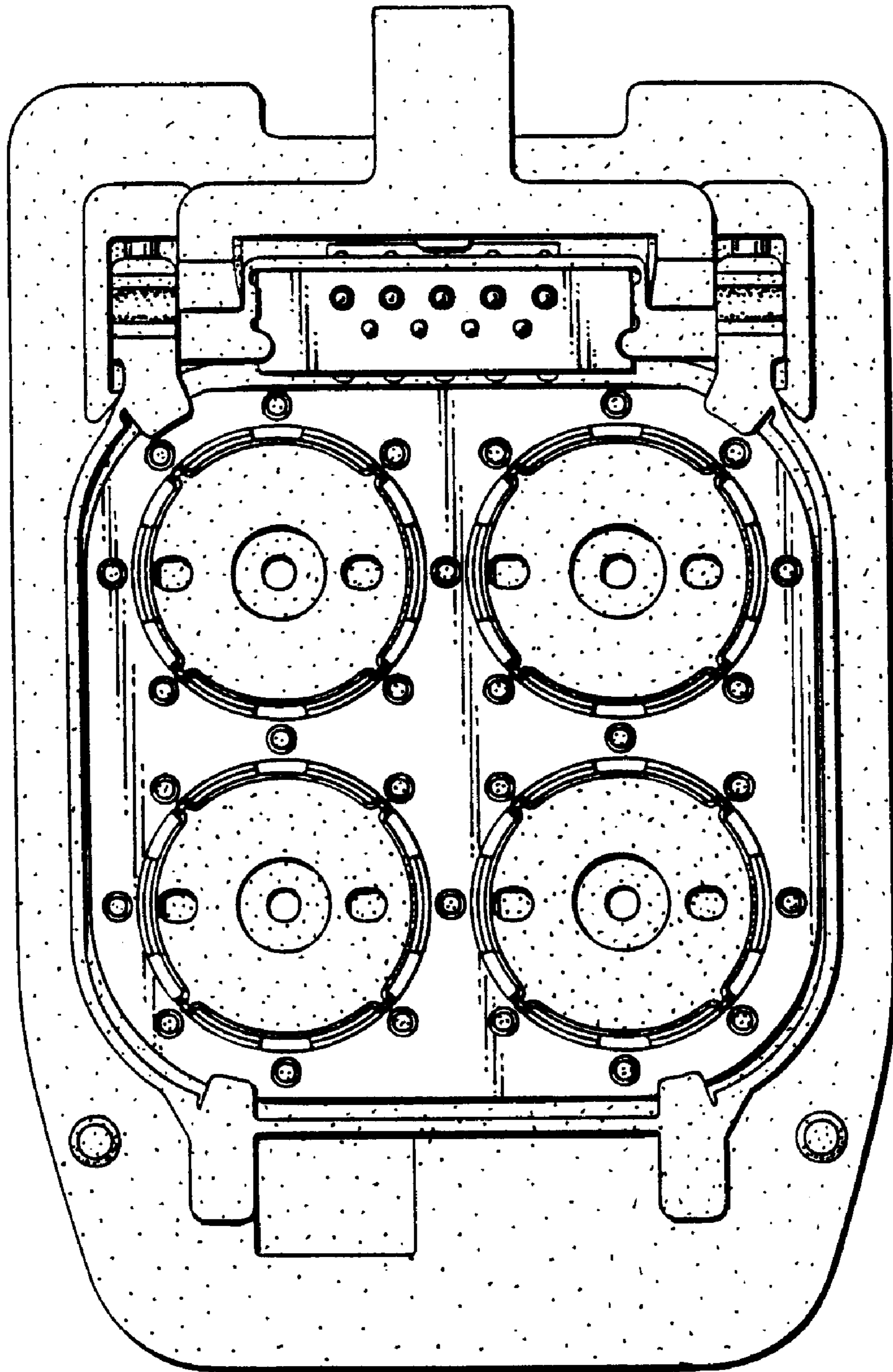


FIG. 3.

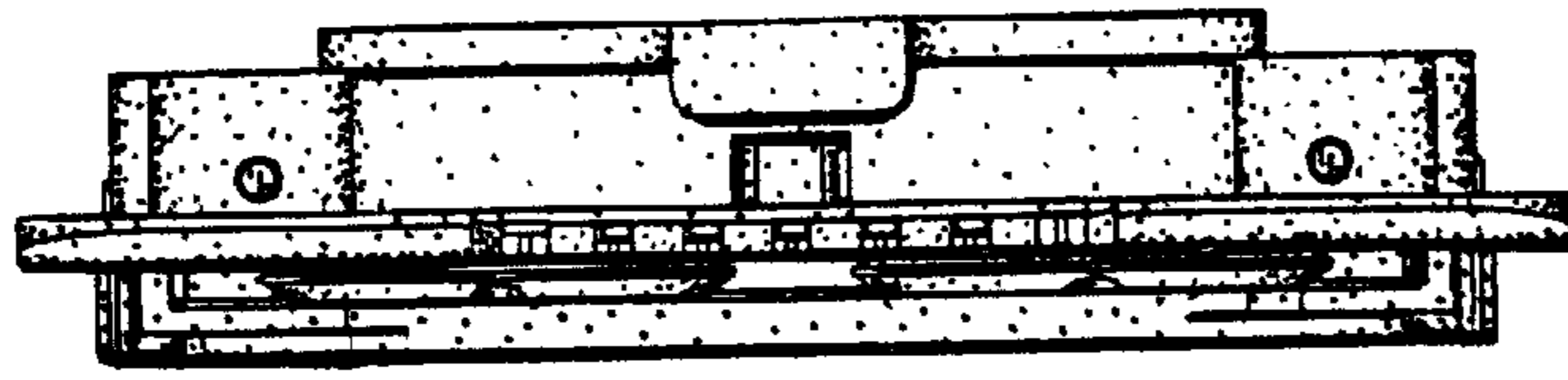


FIG. 5.

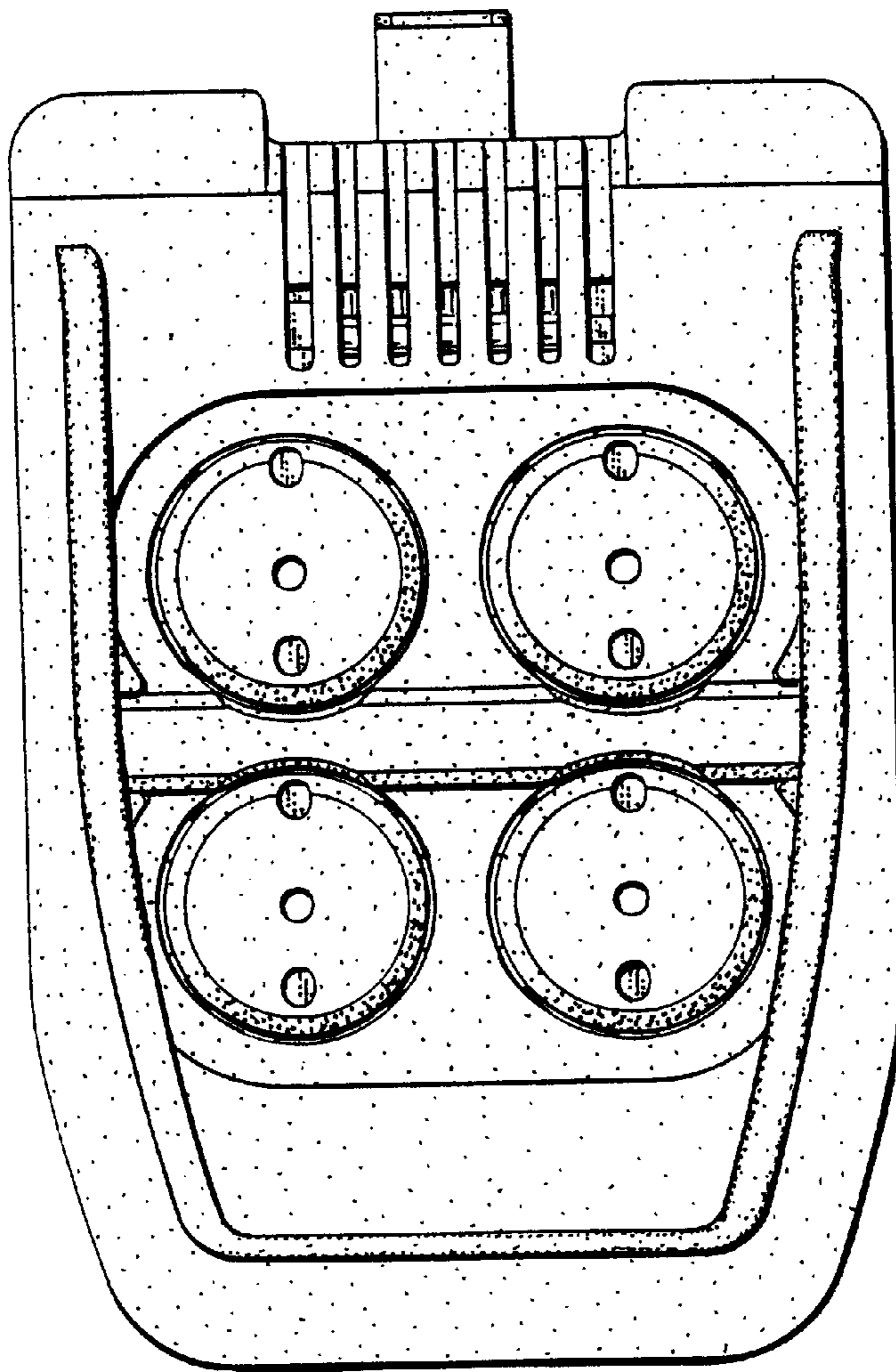


FIG. 4.



FIG. 7.

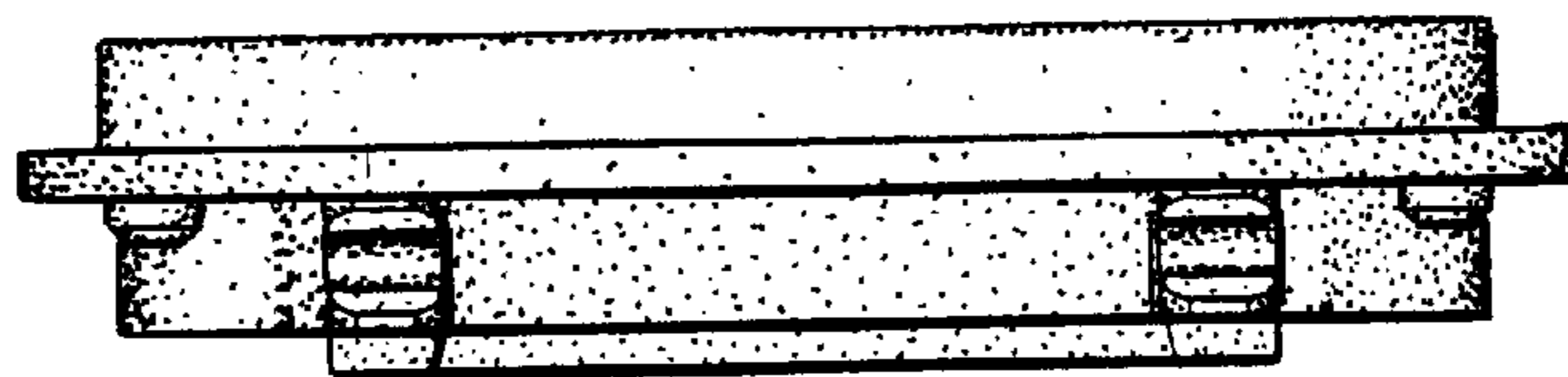


FIG. 6.