



US00D441071S

(12) **United States Design Patent**  
**Attolini**

(10) **Patent No.:** **US D441,071 S**

(45) **Date of Patent:** **\*\* Apr. 24, 2001**

(54) **INHALATOR**

(75) Inventor: **Lorenzo Attolini**, Parma (IT)

(73) Assignee: **Medel S.p.A.**, Parma (IT)

(\*\*) Term: **14 Years**

(21) Appl. No.: **29/124,380**

(22) Filed: **Jun. 5, 2000**

(30) **Foreign Application Priority Data**

Dec. 3, 1999 (IT) ..... PR99O0004

(51) **LOC (7) Cl.** ..... **29-02**

(52) **U.S. Cl.** ..... **D24/110**

(58) **Field of Search** ..... D24/110; 128/200.14,  
128/200.23, 203.15, 203.23

(56) **References Cited**

**U.S. PATENT DOCUMENTS**

D. 414,261 \* 9/1999 Ritsche ..... D24/110

D. 417,731 \* 12/1999 Butler et al. .... D24/110

\* cited by examiner

*Primary Examiner*—Ian Simmons

(74) *Attorney, Agent, or Firm*—Darby & Darby

(57) **CLAIM**

The ornamental design for an inhalator, as shown and described.

**DESCRIPTION**

FIG. 1 is a perspective view of the inhalator without the cover;

FIG. 2 is a front view of the inhalator completed with the cover;

FIG. 3 is a left side view of the inhalator completed with the cover;

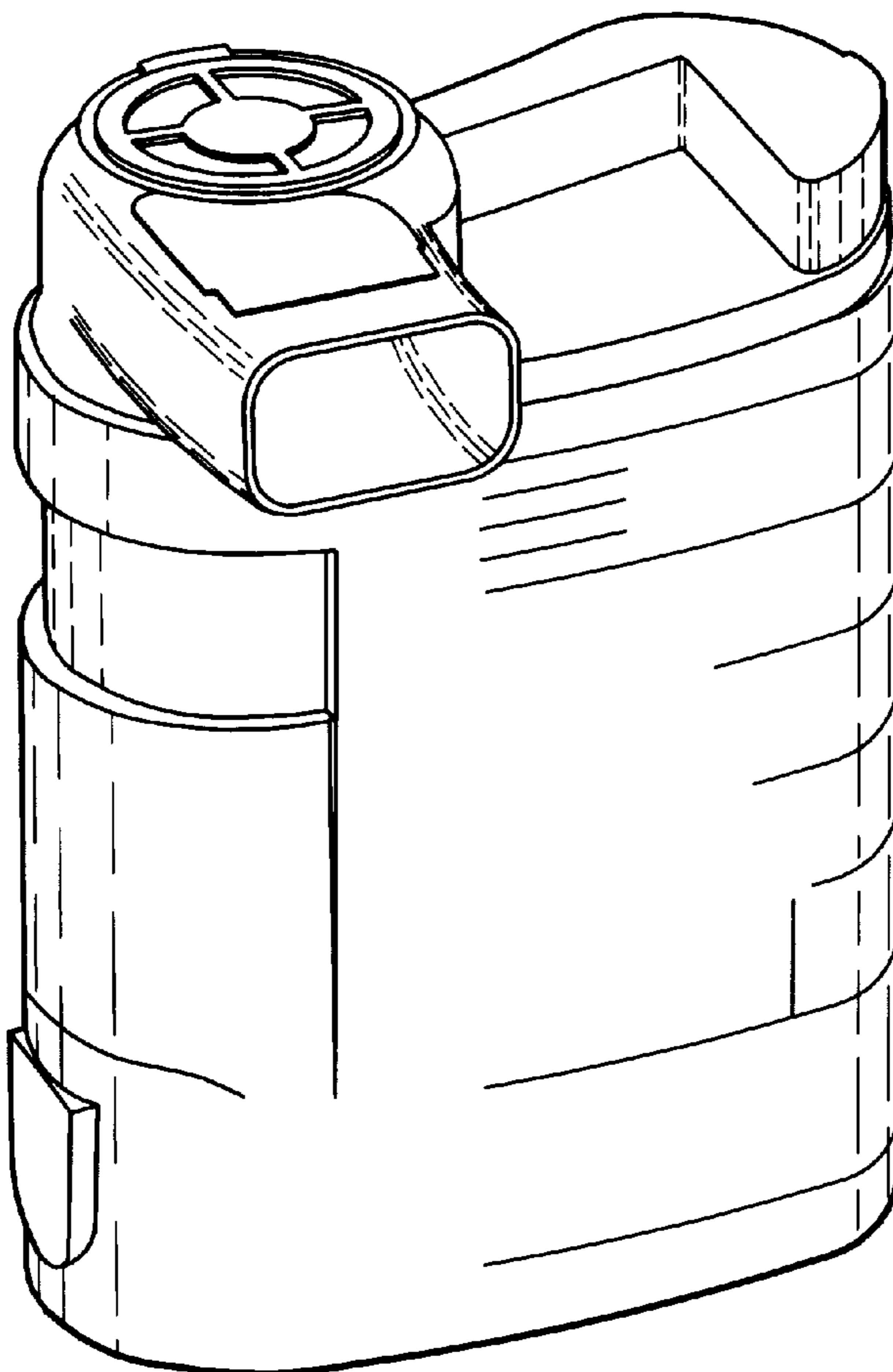
FIG. 4 is a top plan view of the inhalator completed with the cover;

FIG. 5 is a bottom view of the inhalator completed with the cover;

FIG. 6 is a right side view of the inhalator completed with the cover; and,

FIG. 7 is a rear view of the inhalator completed with the cover.

**1 Claim, 3 Drawing Sheets**



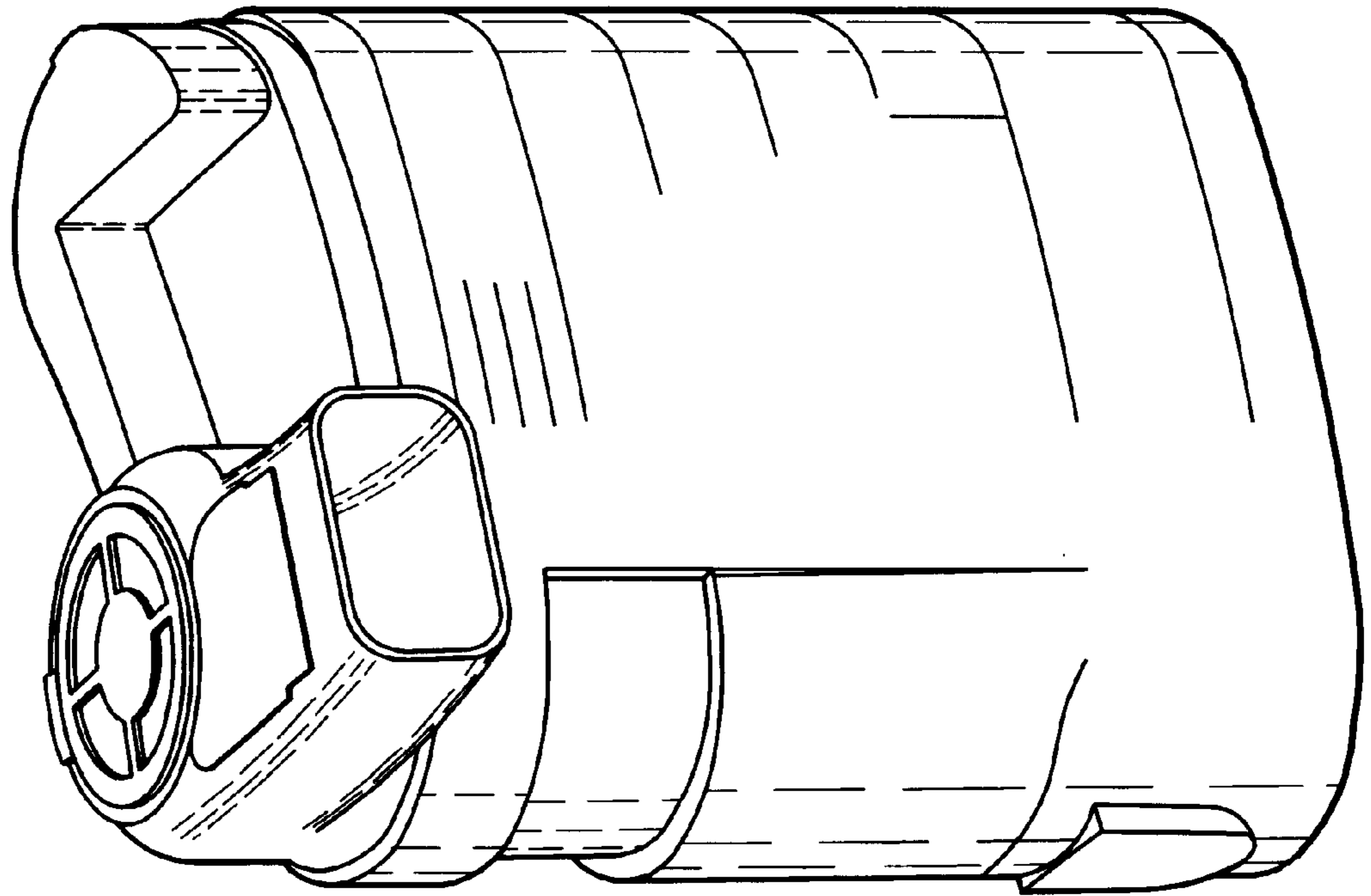


Fig. 1

Fig. 5

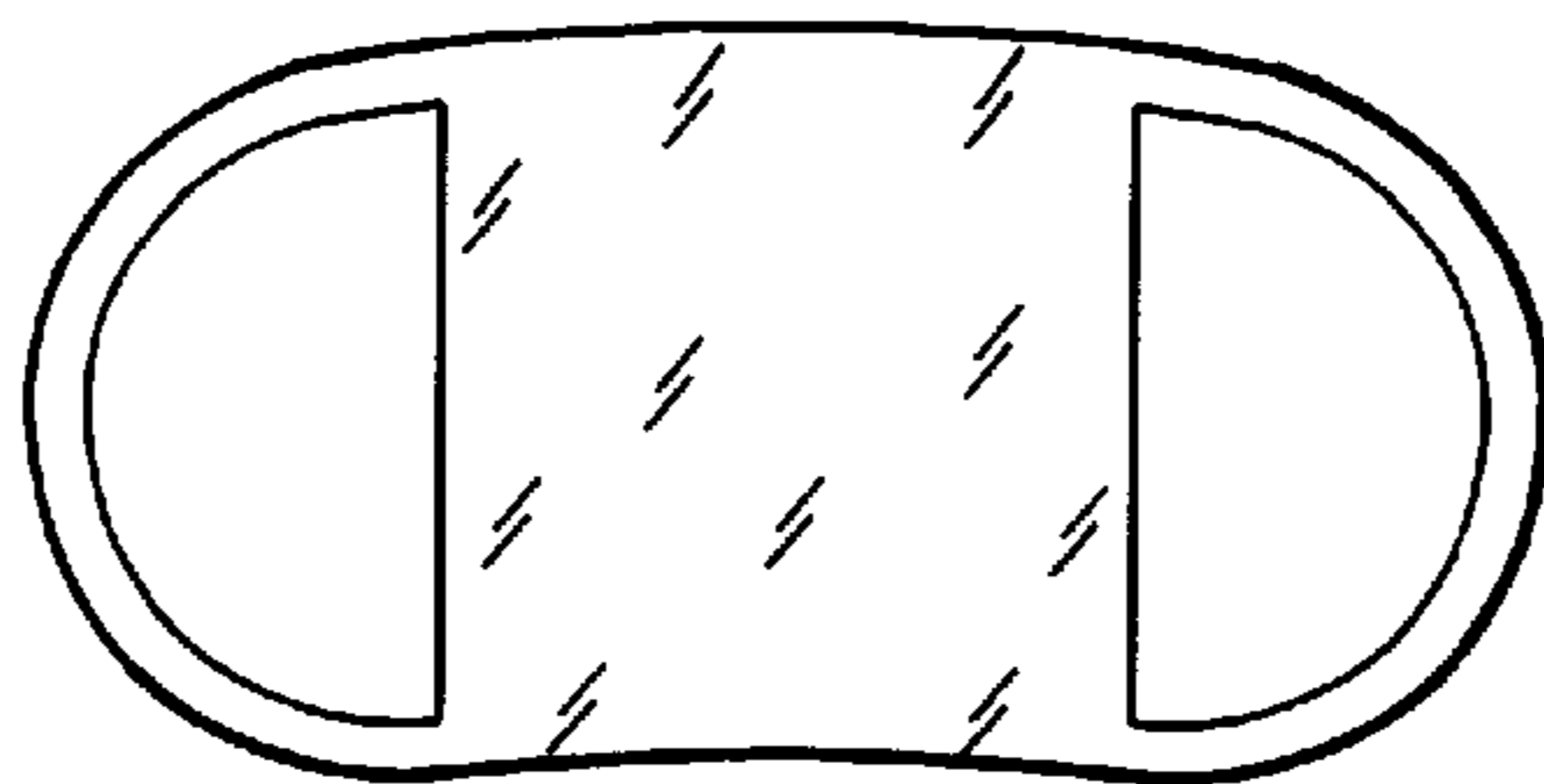


Fig. 6

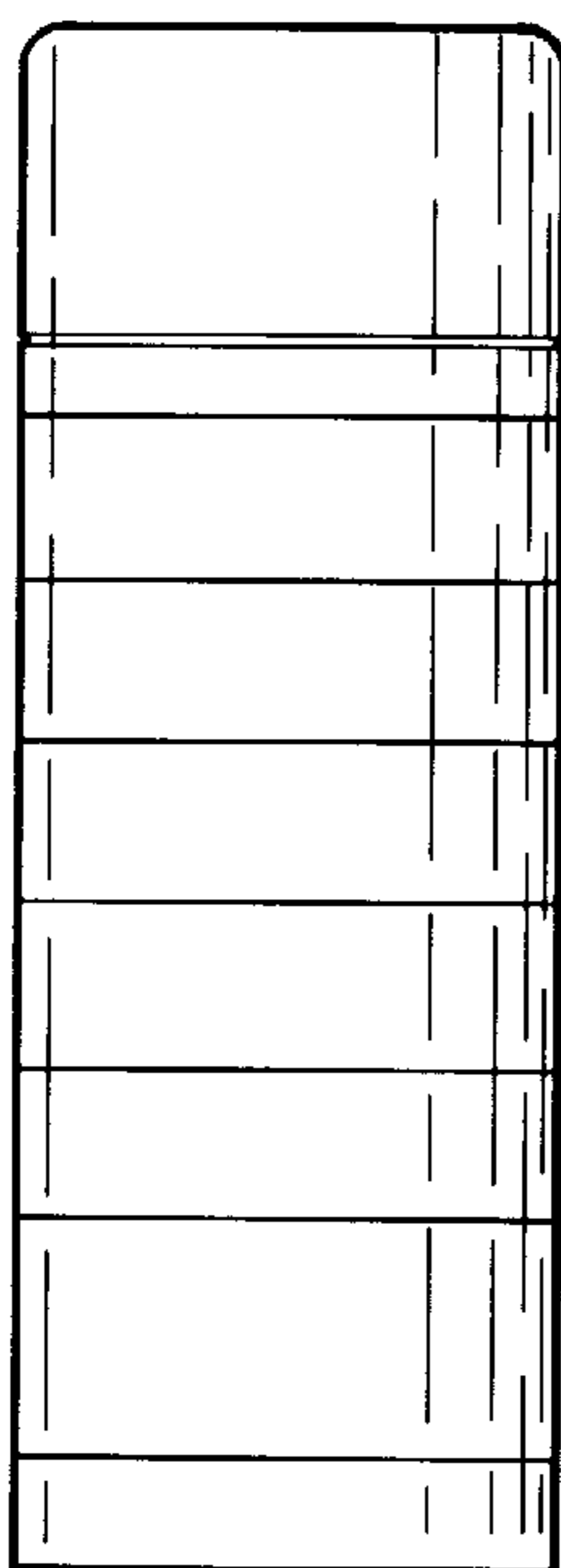


Fig. 2

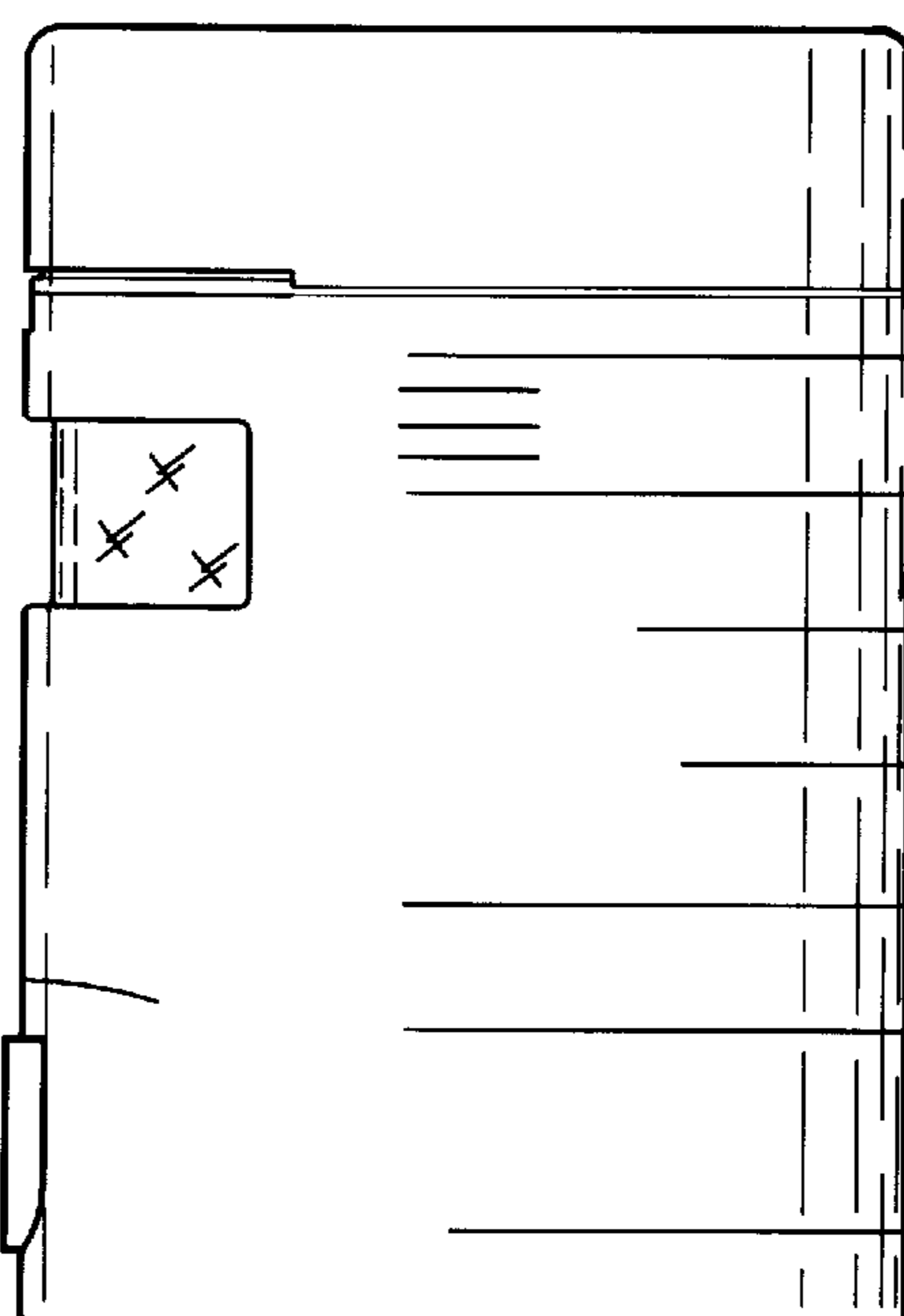


Fig. 3

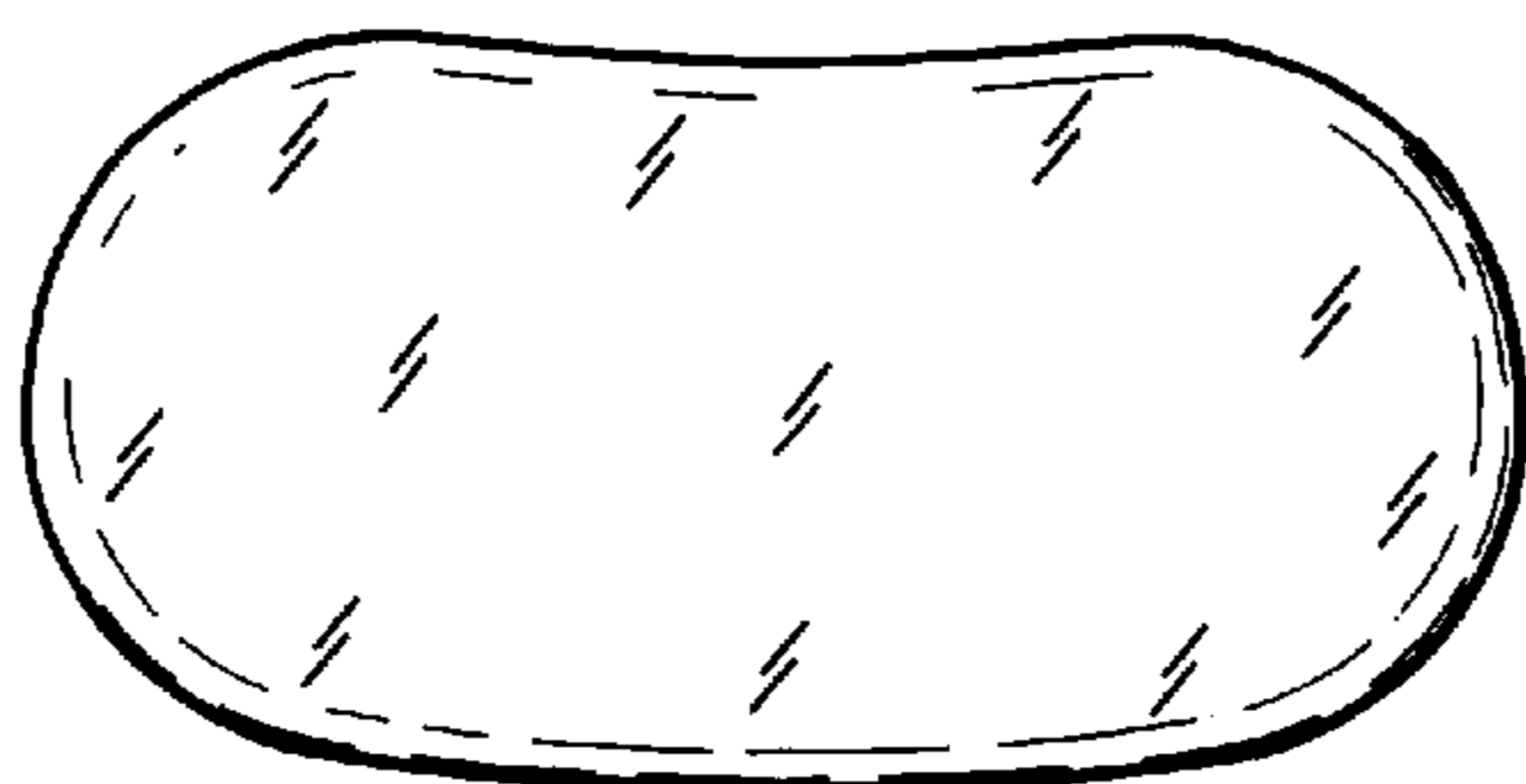
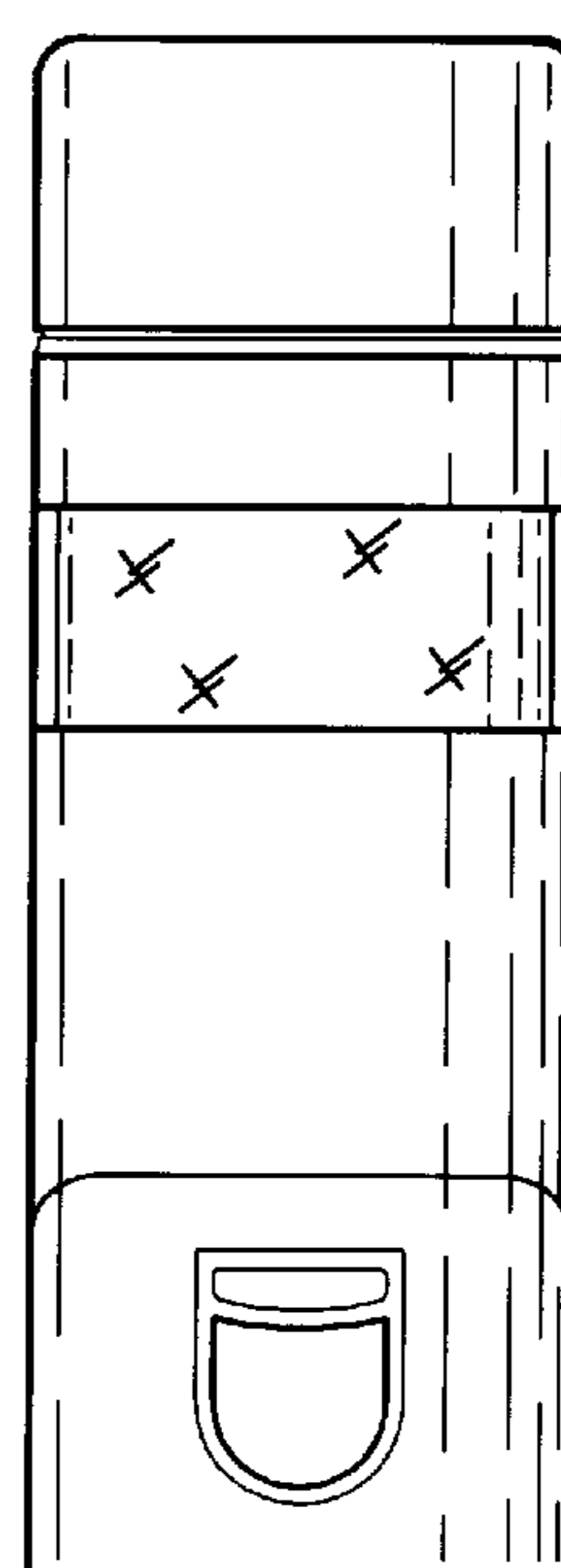
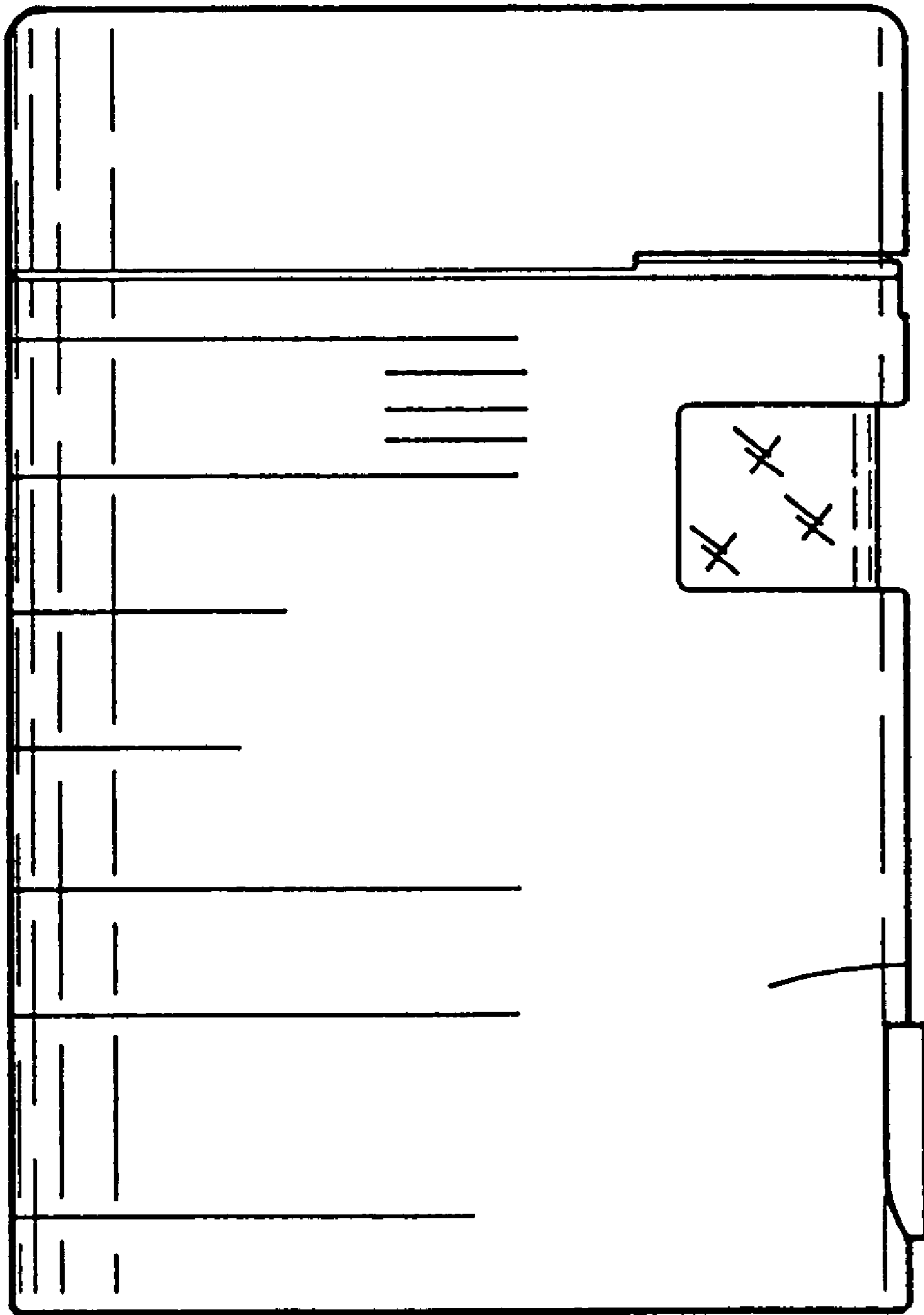


Fig. 4

Fig. 7



UNITED STATES PATENT AND TRADEMARK OFFICE  
**CERTIFICATE OF CORRECTION**

PATENT NO. : Des 441,071  
DATED : June 5, 2000  
INVENTOR(S) : Lorenzo Attolini

Page 1 of 1

It is certified that error appears in the above-identified patent and that said Letters Patent is hereby corrected as shown below:

Title page,  
Item [73], **Foreign Application Priority Data,**

“Dec 3, 1999 (IT)..... PR99O0004” should be -- Dec 3, 1999 (IT) .....  
PR99O000004 --.

Signed and Sealed this

Twentieth Day of November, 2001

Attest:

*Nicholas P. Godici*

Attesting Officer

NICHOLAS P. GODICI  
Acting Director of the United States Patent and Trademark Office