



US00D441070S

(12) **United States Design Patent**
Niles et al.

(10) **Patent No.:** **US D441,070 S**

(45) **Date of Patent:** **** Apr. 24, 2001**

(54) **CONTINUOUS POSITIVE AIRWAY
PRESSURE THERAPY DEVICE**

4,823,784 * 4/1989 Bordoni et al. 128/200.14

* cited by examiner

(75) Inventors: **Rex A. Niles; Lawrence A. Weinstein,**
both of Oneida; **Stephen D. Diehl,**
Waterville; **Deborah A. Laun,**
Syracuse, all of NY (US)

Primary Examiner—Ian Simmons

(74) *Attorney, Agent, or Firm*—August E. Roehrig, Jr.;
Hancock & Estabrook, LLP

(73) Assignee: **DHD Healthcare Corporation,**
Canastota, NY (US)

(57) **CLAIM**

The ornamental design for a continuous positive airway
pressure therapy device, as shown and described.

(**) Term: **14 Years**

DESCRIPTION

(21) Appl. No.: **29/110,691**

FIG. 1 is a frontal perspective view of a continuous positive
airway pressure therapy device with an optional mouth piece
and a cap portion illustrated in broken lines;

(22) Filed: **Sep. 10, 1999**

FIG. 2 is a left end elevational view of the continuous
positive airway pressure therapy device;

(51) **LOC (7) Cl.** **29-02**

(52) **U.S. Cl.** **D24/110**

FIG. 3 is a frontal elevation view of the continuous positive
airway pressure therapy device with a cap illustrated in
broken lines, but not forming a part of the invention;

(58) **Field of Search** D24/110; 128/200.14,
128/200.18, 200.21, 202.27, 200.23

FIG. 4 is a right end profile view of the continuous positive
airway pressure therapy device;

(56) **References Cited**

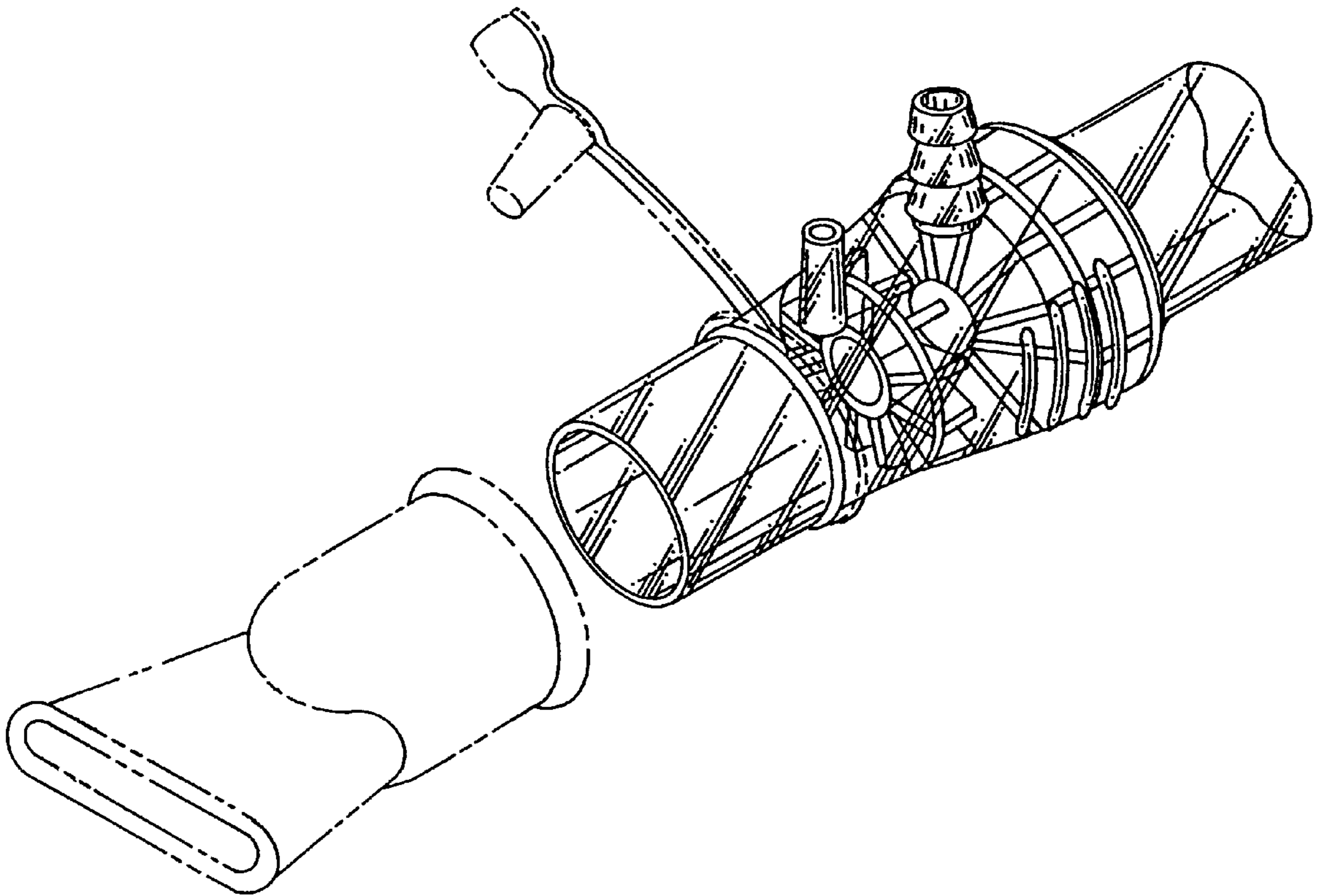
U.S. PATENT DOCUMENTS

- D. 192,403 * 3/1962 Corbett et al. D24/110
- D. 202,399 * 9/1965 Cheney D24/110
- D. 331,281 * 11/1992 Levine D24/110
- 3,172,406 * 3/1965 Bird et al. D24/110

FIG. 5 is a bottom elevational view of the continuous
positive airway pressure therapy device; and,

FIG. 6 is a top elevational view of the continuous positive
airway pressure therapy device.

1 Claim, 2 Drawing Sheets



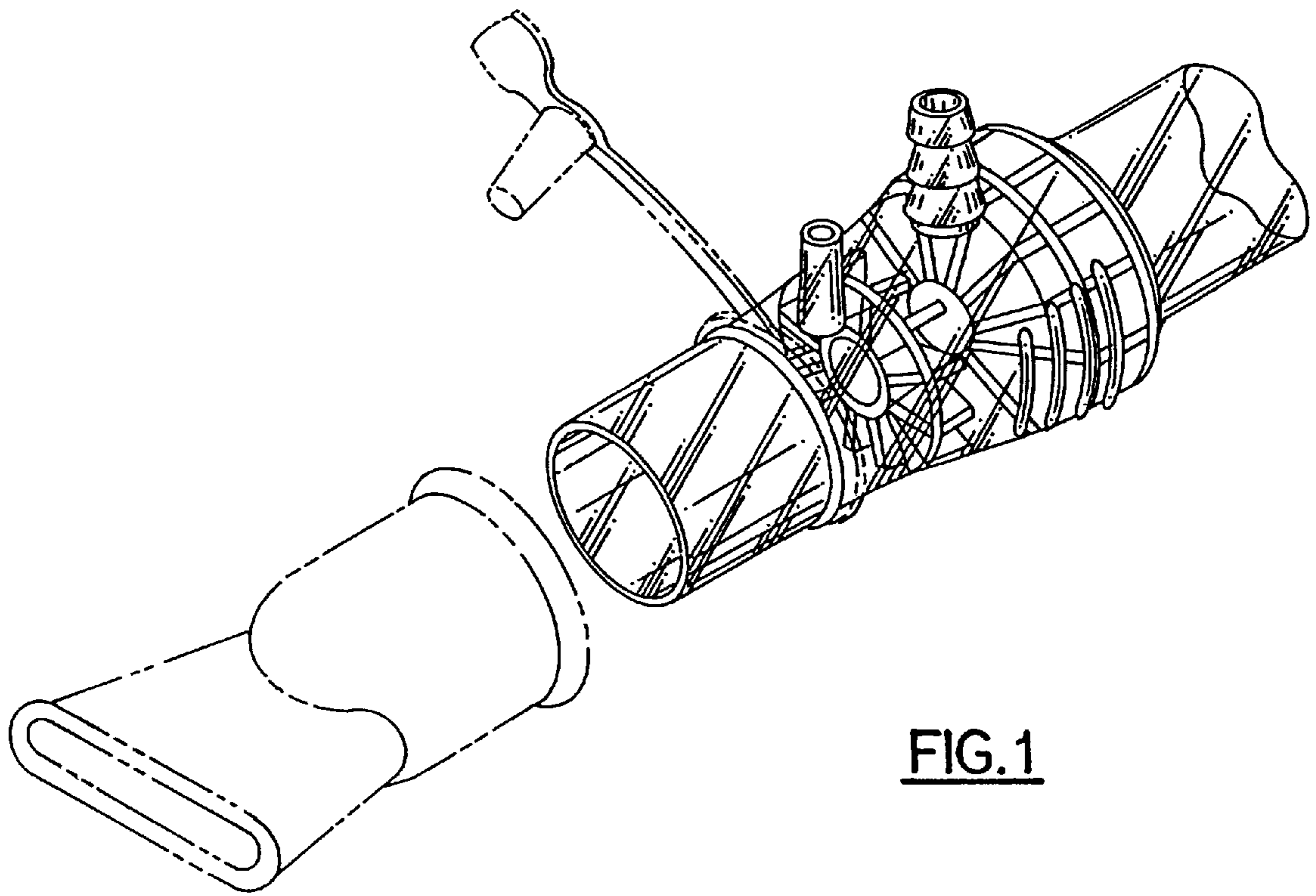


FIG. 1

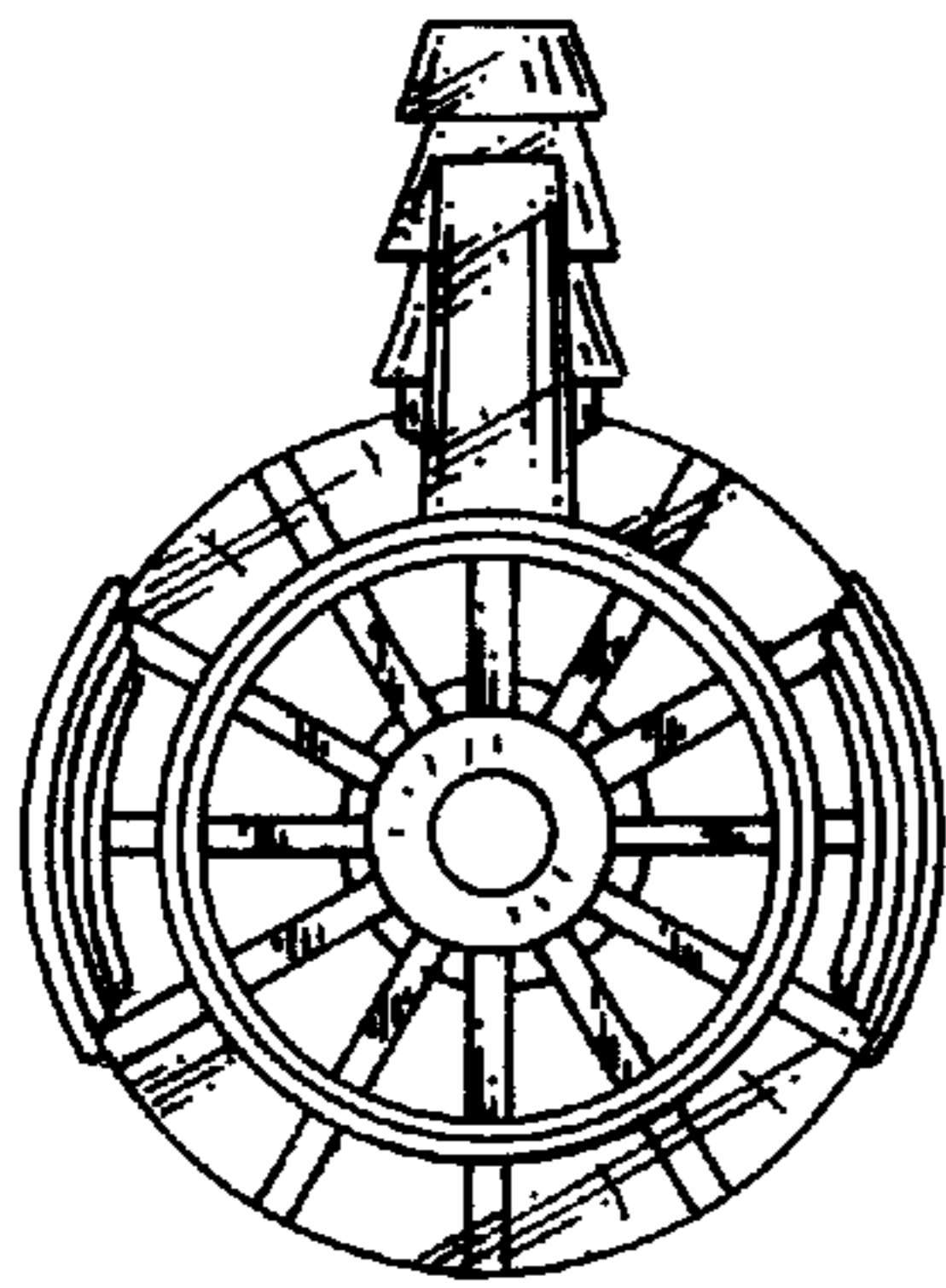


FIG. 2

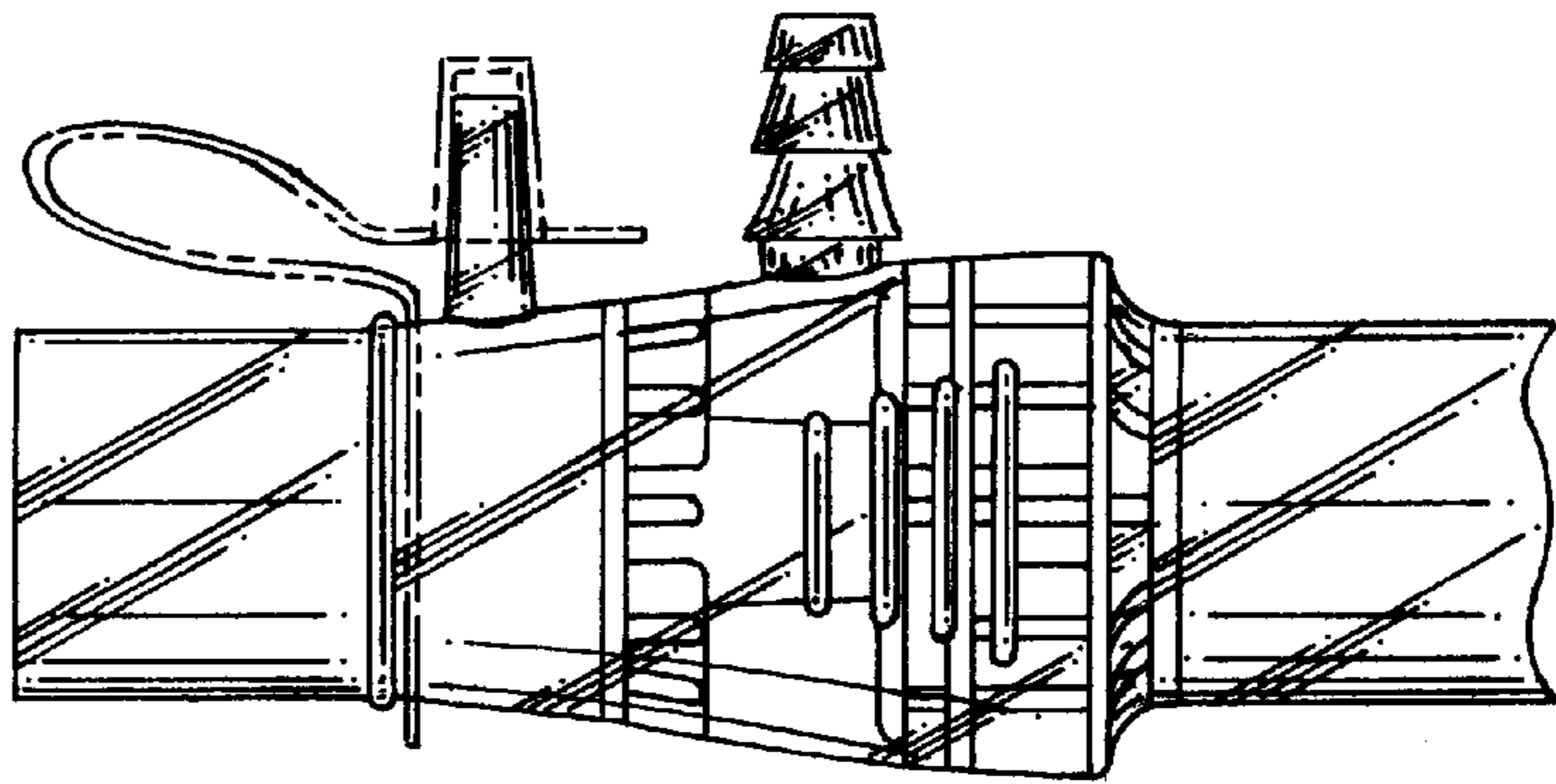


FIG. 3

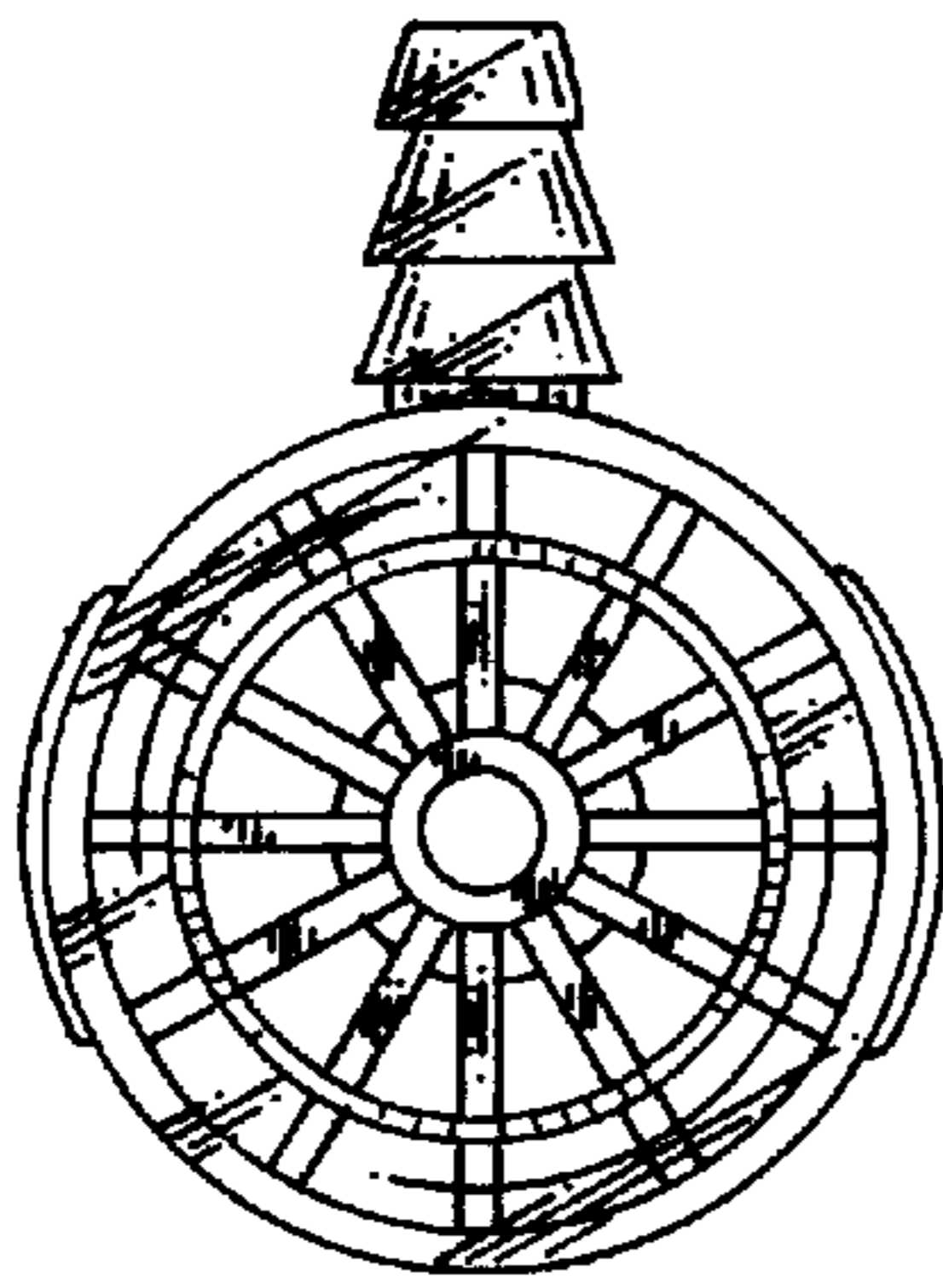


FIG. 4

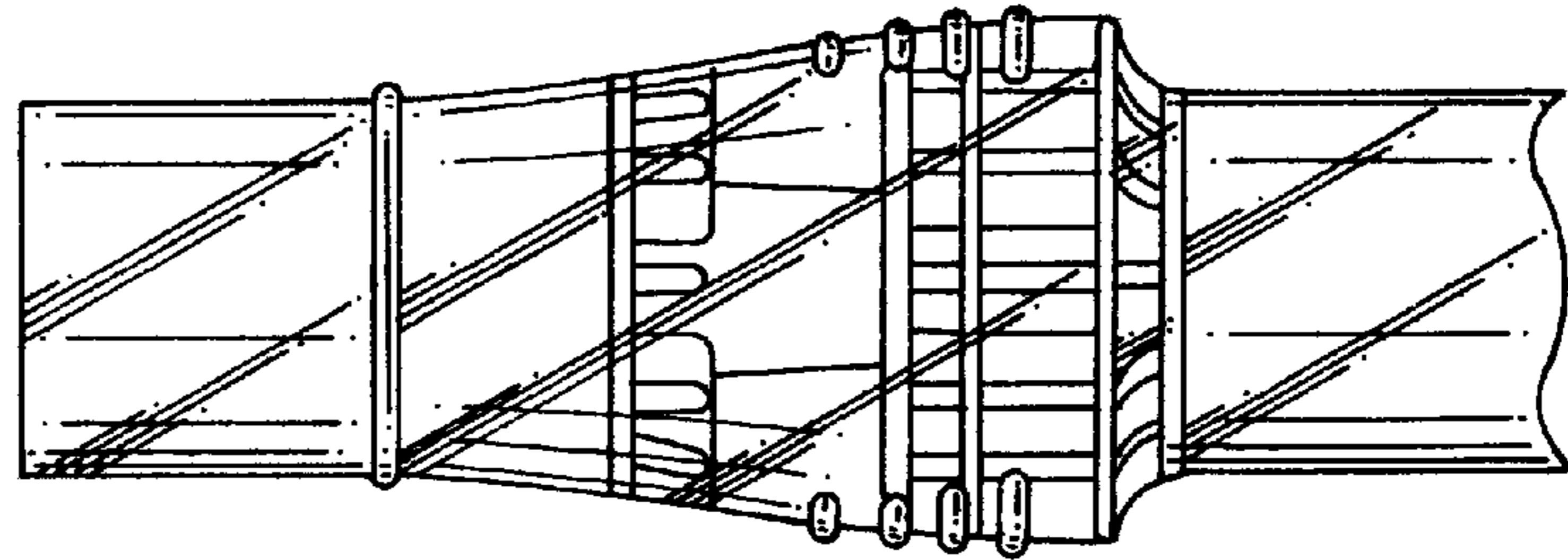


FIG. 5

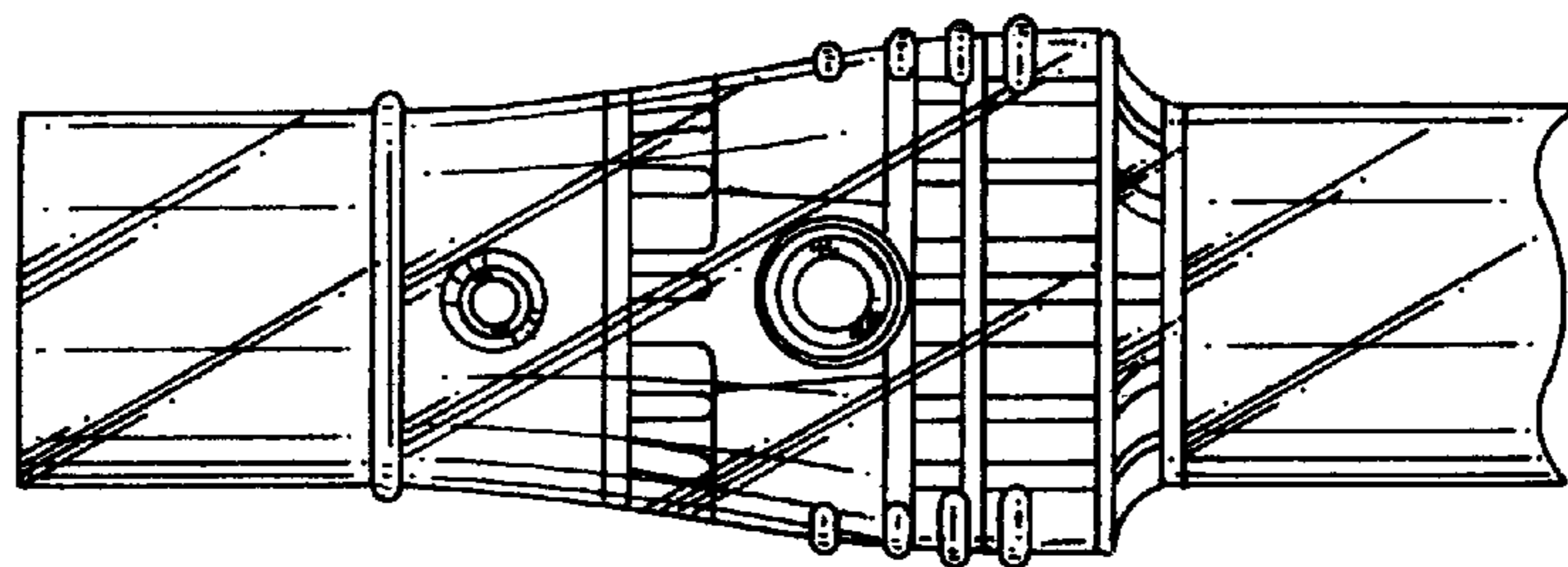


FIG. 6