



US00D441069S

(12) **United States Design Patent**
Hammarlund et al.

(10) **Patent No.:** **US D441,069 S**
(45) **Date of Patent:** **** Apr. 24, 2001**

(54) **NEBULIZER**

(75) Inventors: **Nils Hammarlund**, Sollentuna; **Leif Nilsson**, Lidingö, both of (SE)

(73) Assignee: **AGA AB**, Lidingo (SE)

(**) Term: **14 Years**

(21) Appl. No.: **29/094,928**

(22) Filed: **Oct. 14, 1998**

(30) **Foreign Application Priority Data**

Apr. 15, 1998 (SE) 98-0836
Apr. 15, 1998 (SE) 98-0837

(51) **LOC (7) Cl.** **29-02**

(52) **U.S. Cl.** **D24/110**

(58) **Field of Search** D24/110; 128/200.14,
128/200.16, 200.18, 200.11, 200.21, 200.17

(56) **References Cited**

U.S. PATENT DOCUMENTS

D. 337,636 * 7/1993 Kocinski D24/110
4,949,715 * 8/1990 Brugger 128/200.14
5,415,161 * 5/1995 Ryder 128/200.16
5,549,102 * 8/1996 Lintl et al. 128/200.21

* cited by examiner

Primary Examiner—Ian Simmons

(74) *Attorney, Agent, or Firm*—Pearne & Gordon LLP

(57) **CLAIM**

The ornamental design for a nebulizer, as shown and described.

DESCRIPTION

FIG. 1 is a perspective view of a nebulizer, showing our new design.

FIG. 2 is a left side view thereof.

FIG. 3 is a bottom view thereof.

FIG. 4 is a front elevational view thereof.

FIG. 5 is a rear elevational view thereof.

FIG. 6 is a perspective view thereof, shown with the extension tube removed.

FIG. 7 is a left side view thereof.

FIG. 8 is a bottom view thereof.

FIG. 9 is a front elevational view thereof.

FIG. 10 is a rear elevational view thereof.

FIG. 11 is perspective view similar to that shown in FIG. 1, with the vent tube removed therefor.

FIG. 12 is a left side view thereof.

FIG. 13 is a bottom view thereof.

FIG. 14 is a front elevational view thereof.

FIG. 15 is a rear elevational view thereof.

FIG. 16 is a perspective view similar to that shown in FIG. 1, with the extension tube and the vent tube removed.

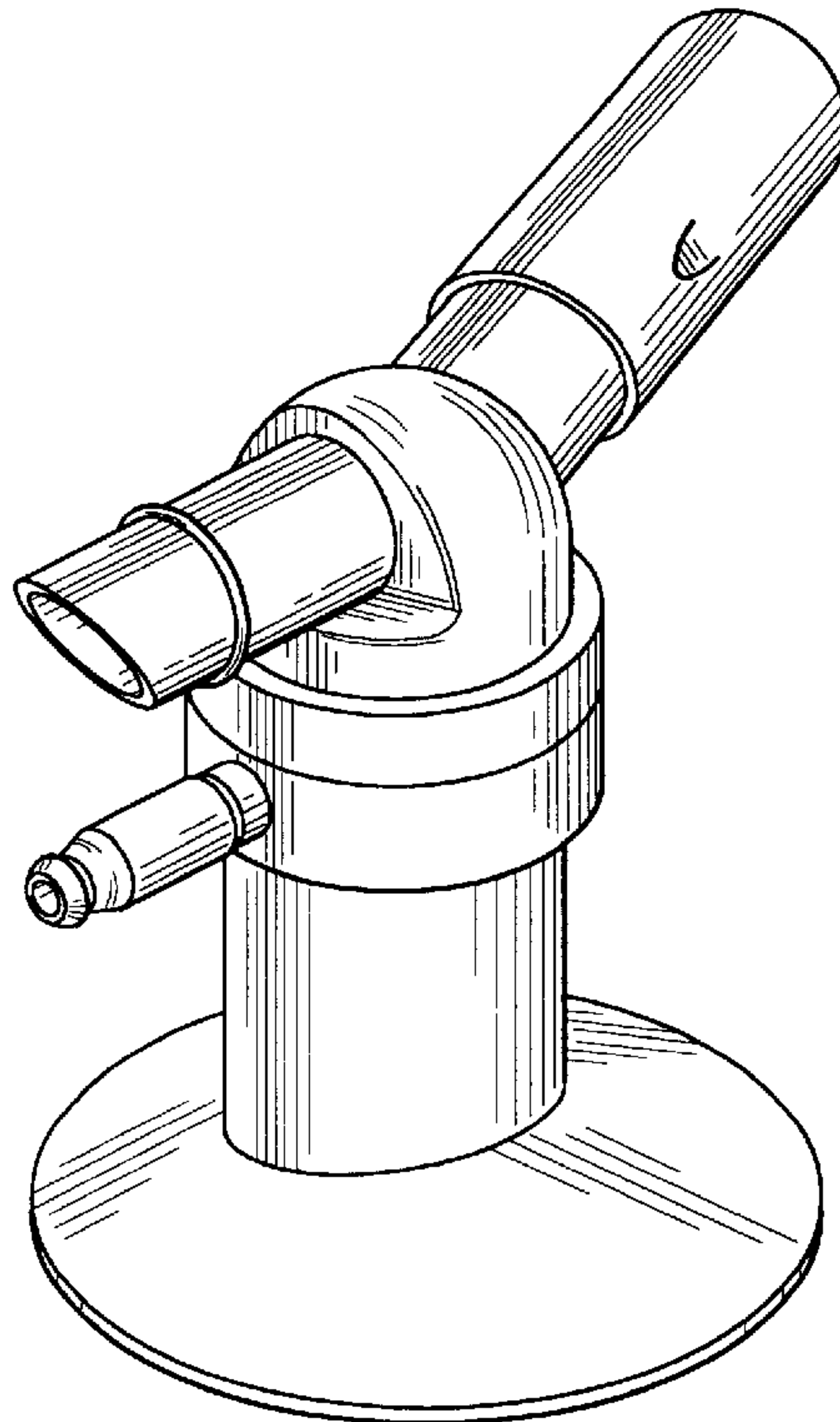
FIG. 17 is a left side view thereof.

FIG. 18 is a bottom view thereof.

FIG. 19 is a front elevational view thereof; and,

FIG. 20 is a rear elevational view thereof.

1 Claim, 12 Drawing Sheets



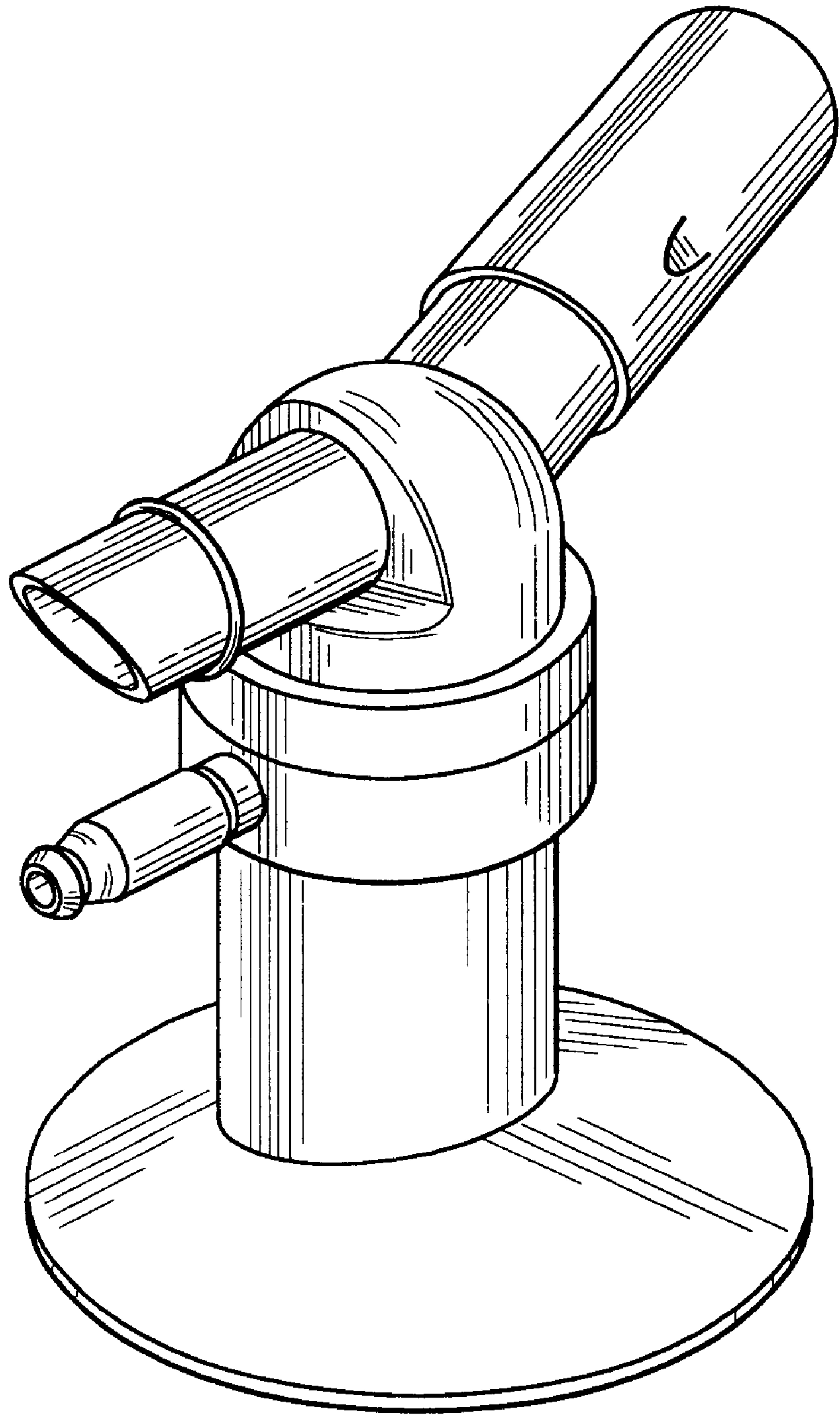


FIG. 1

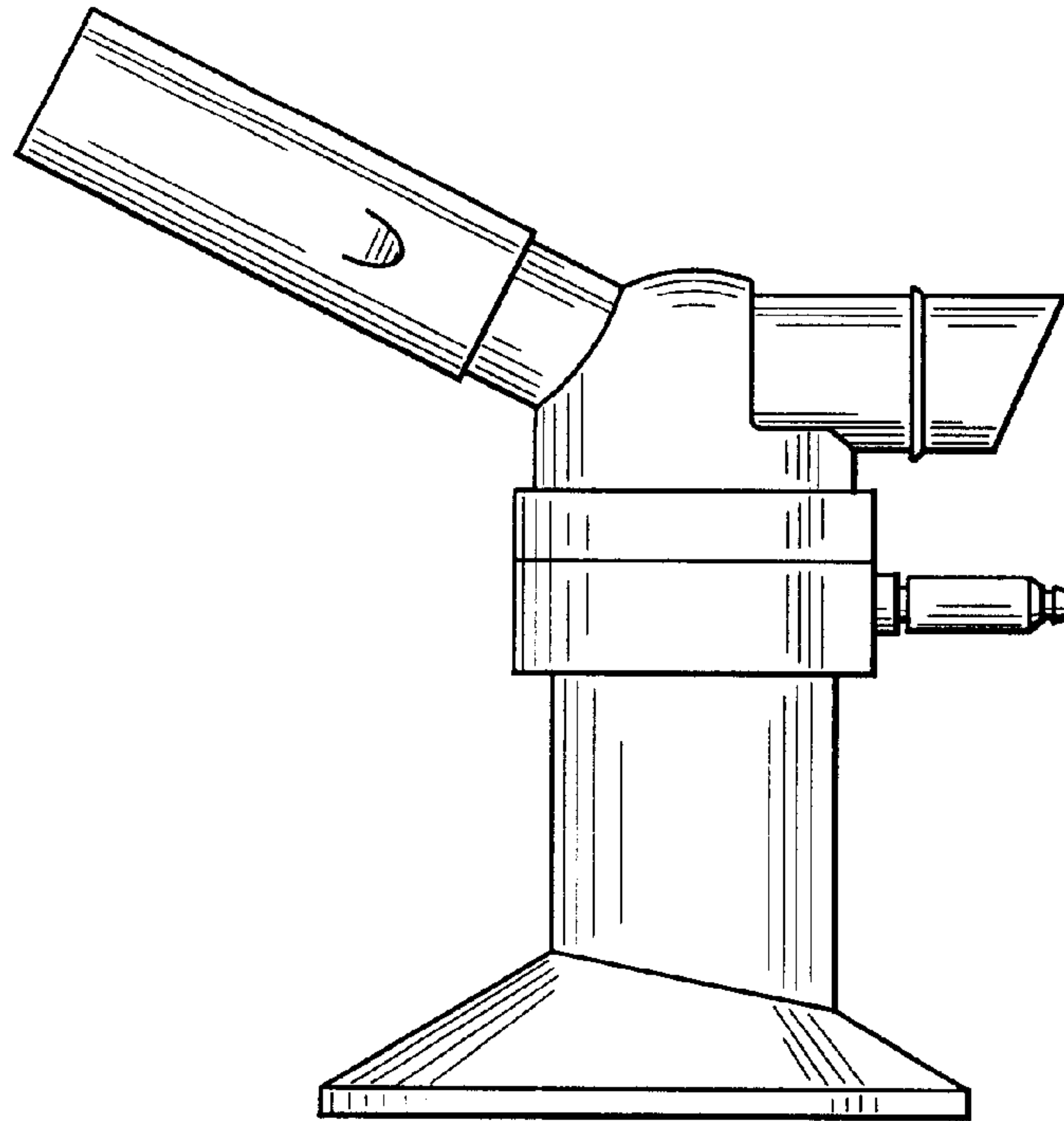


FIG. 2

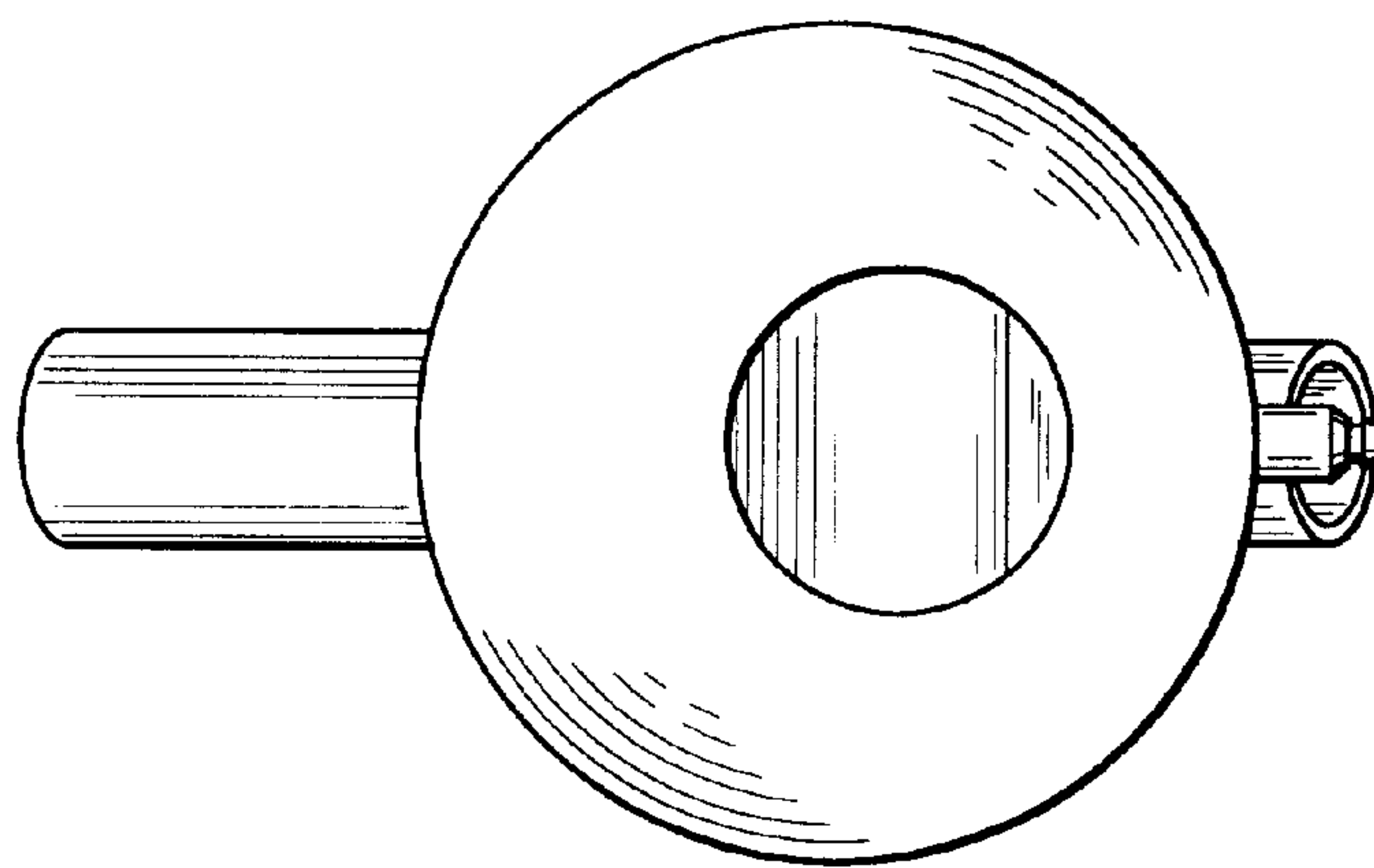


FIG. 3

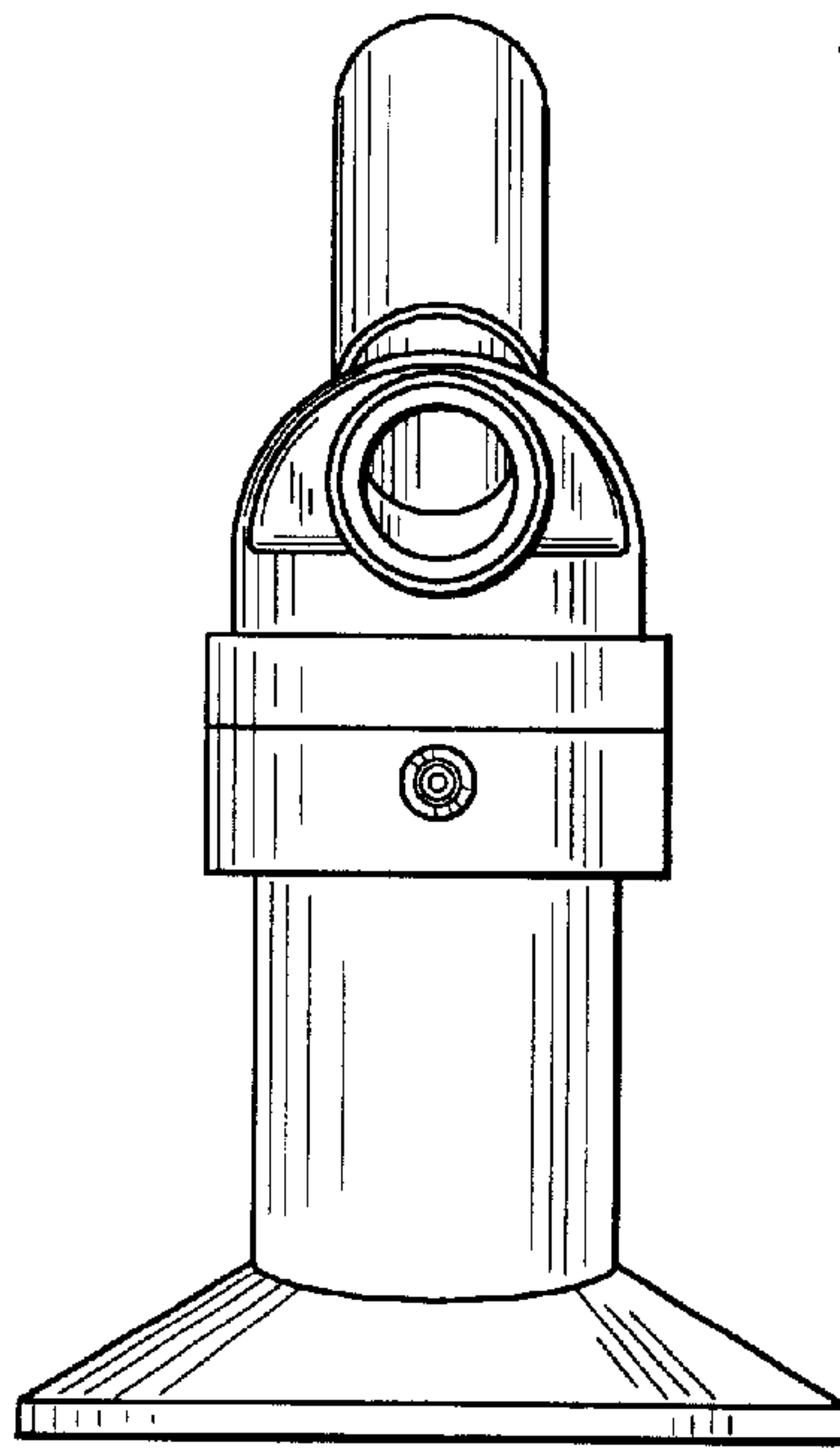


FIG. 4

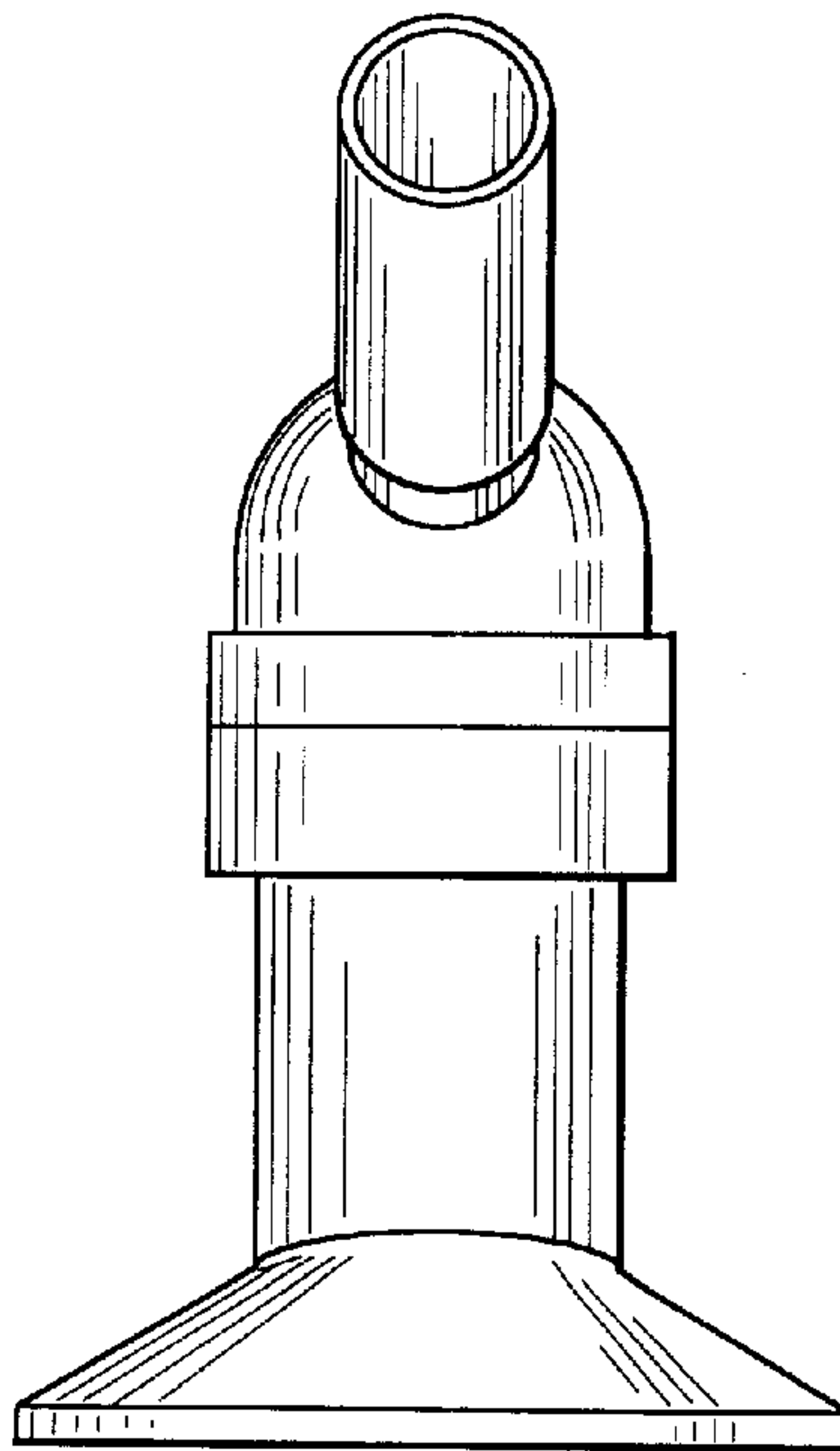


FIG. 5

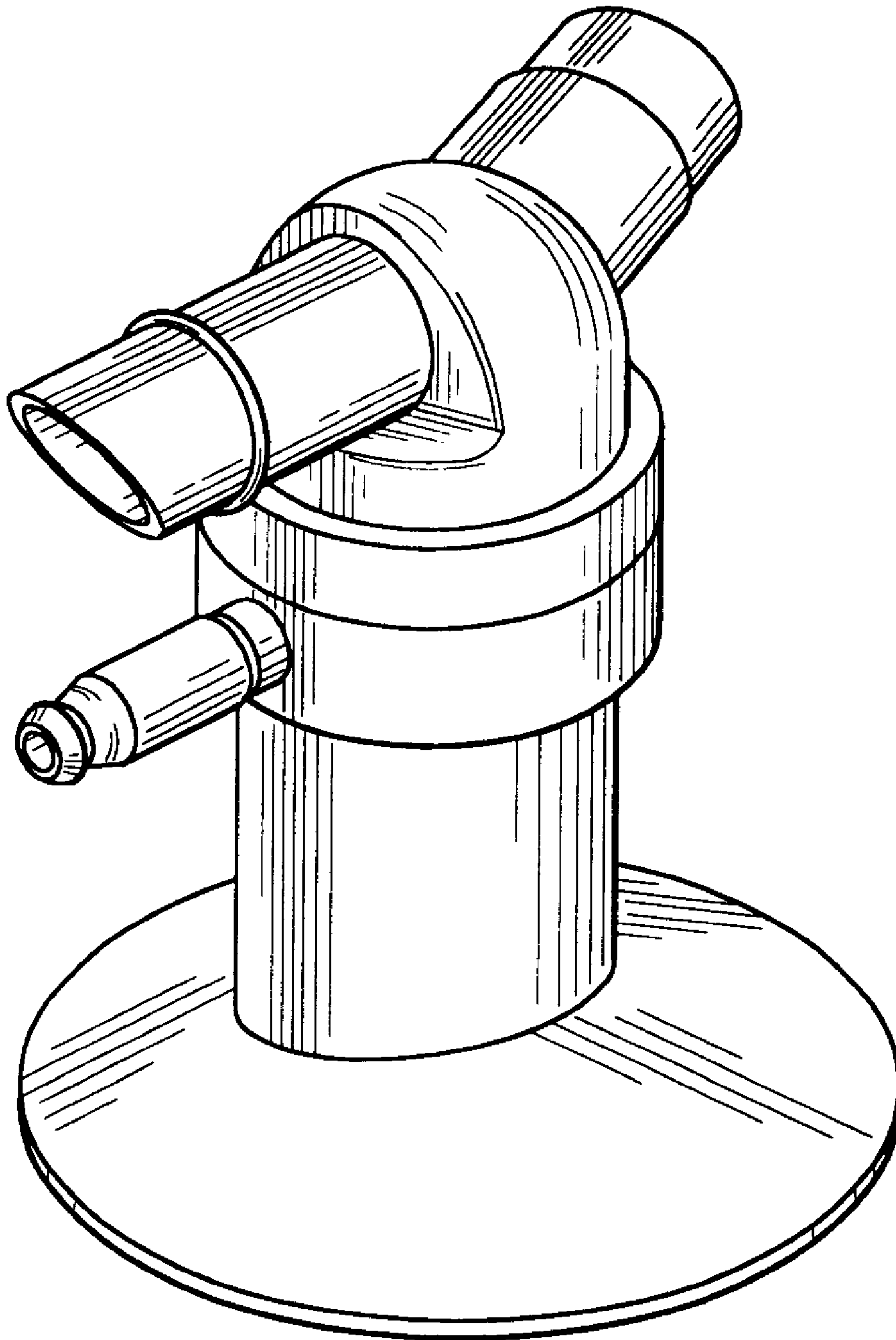


FIG. 6

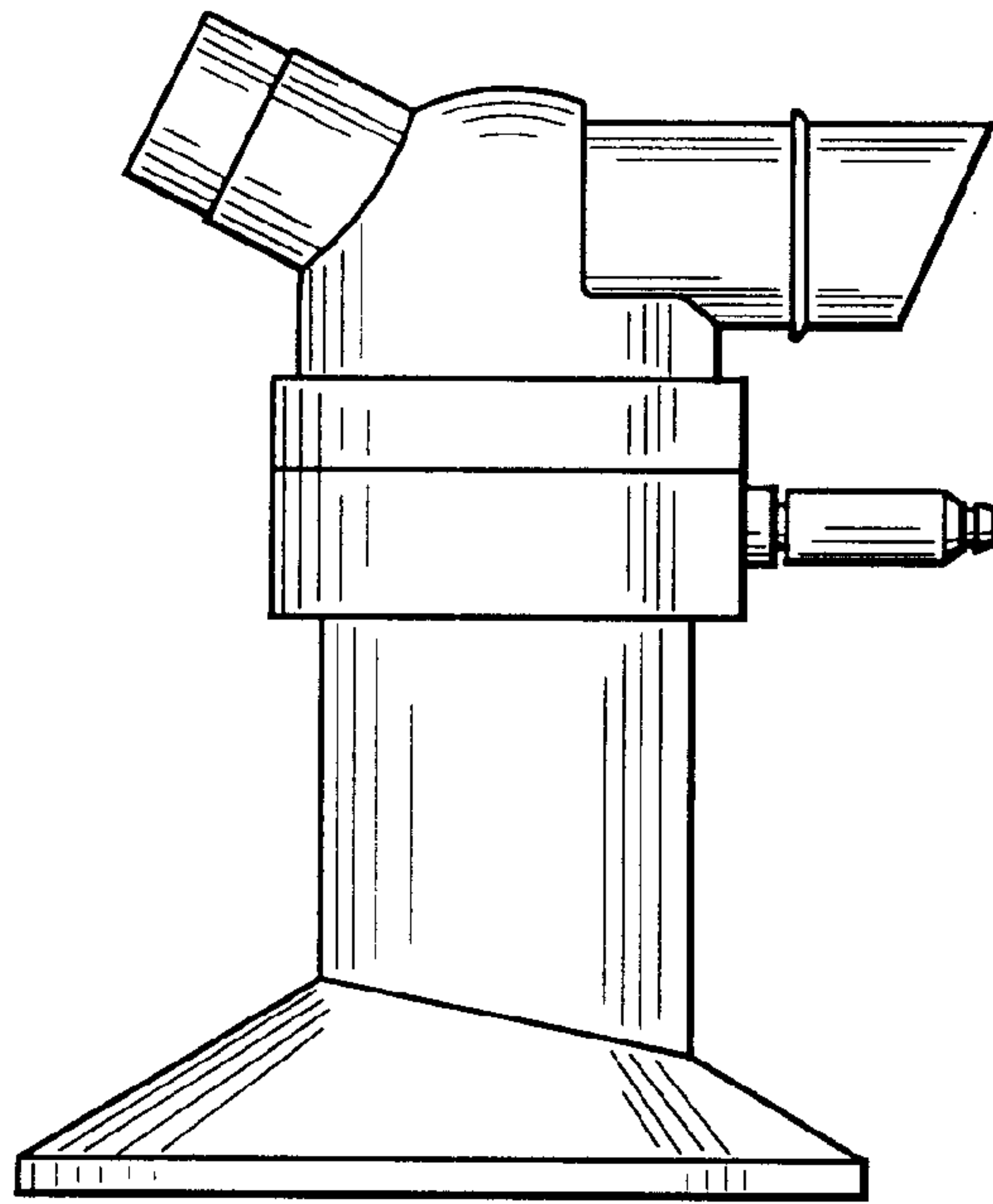


FIG. 7

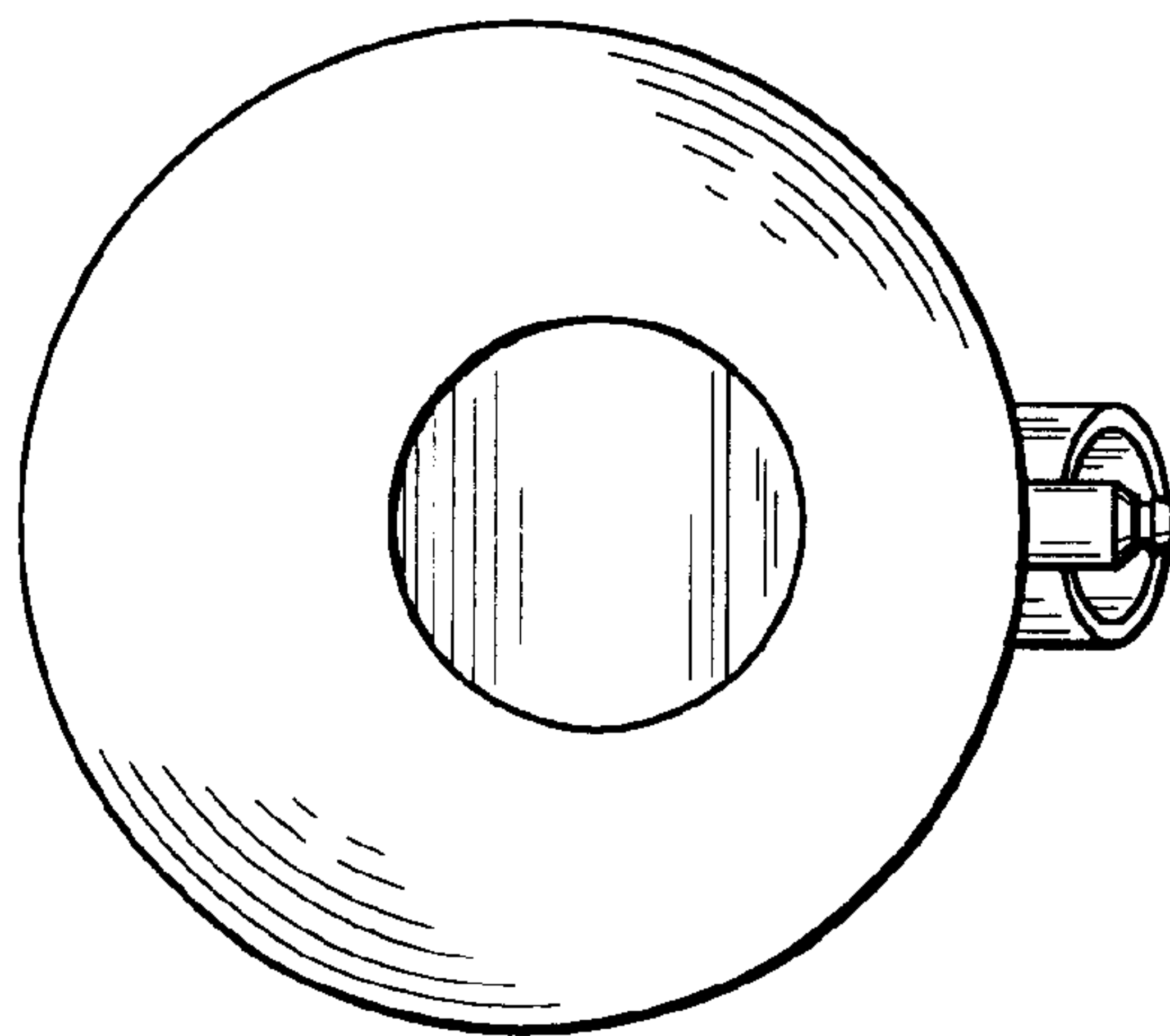


FIG. 8

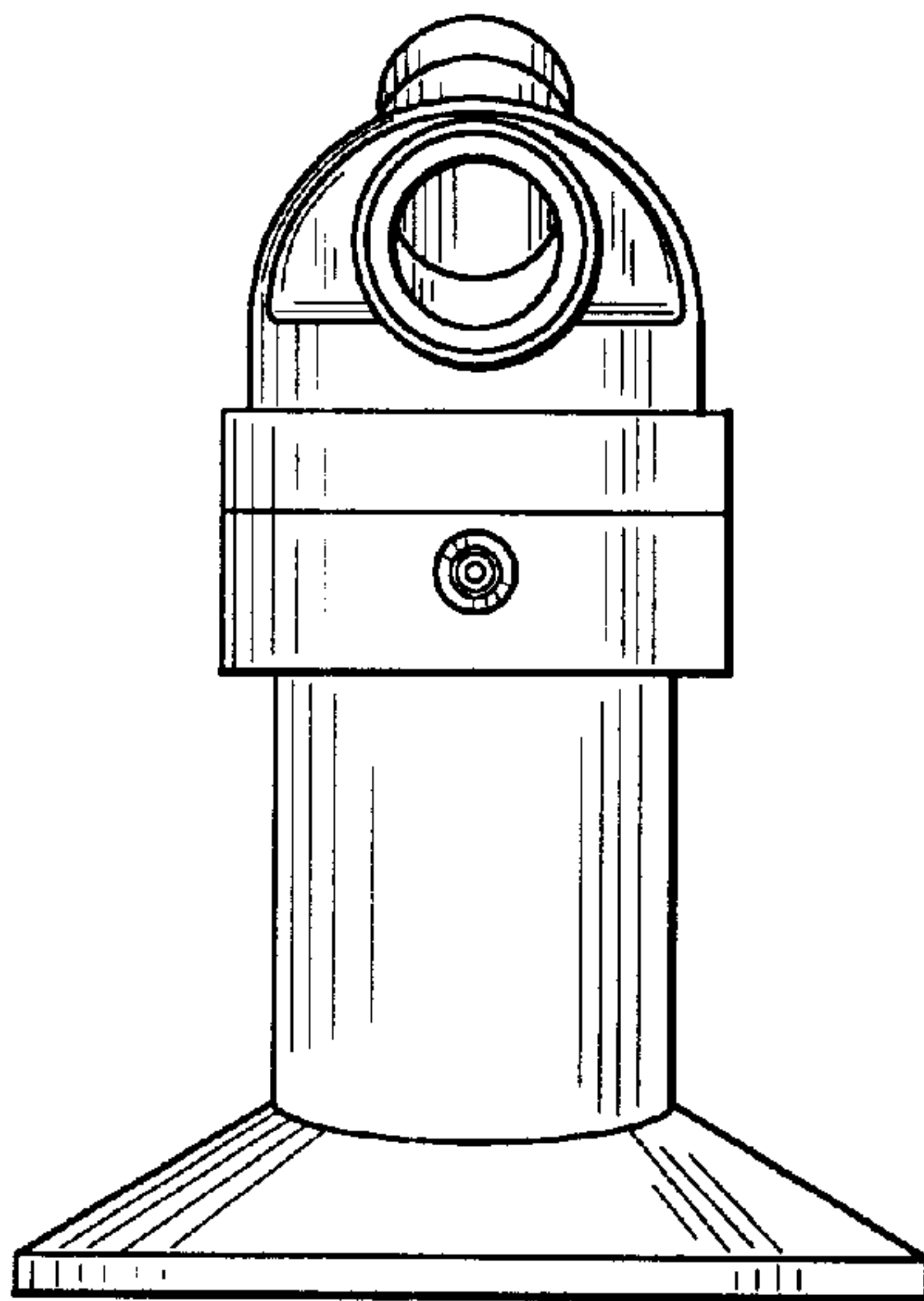


FIG. 9

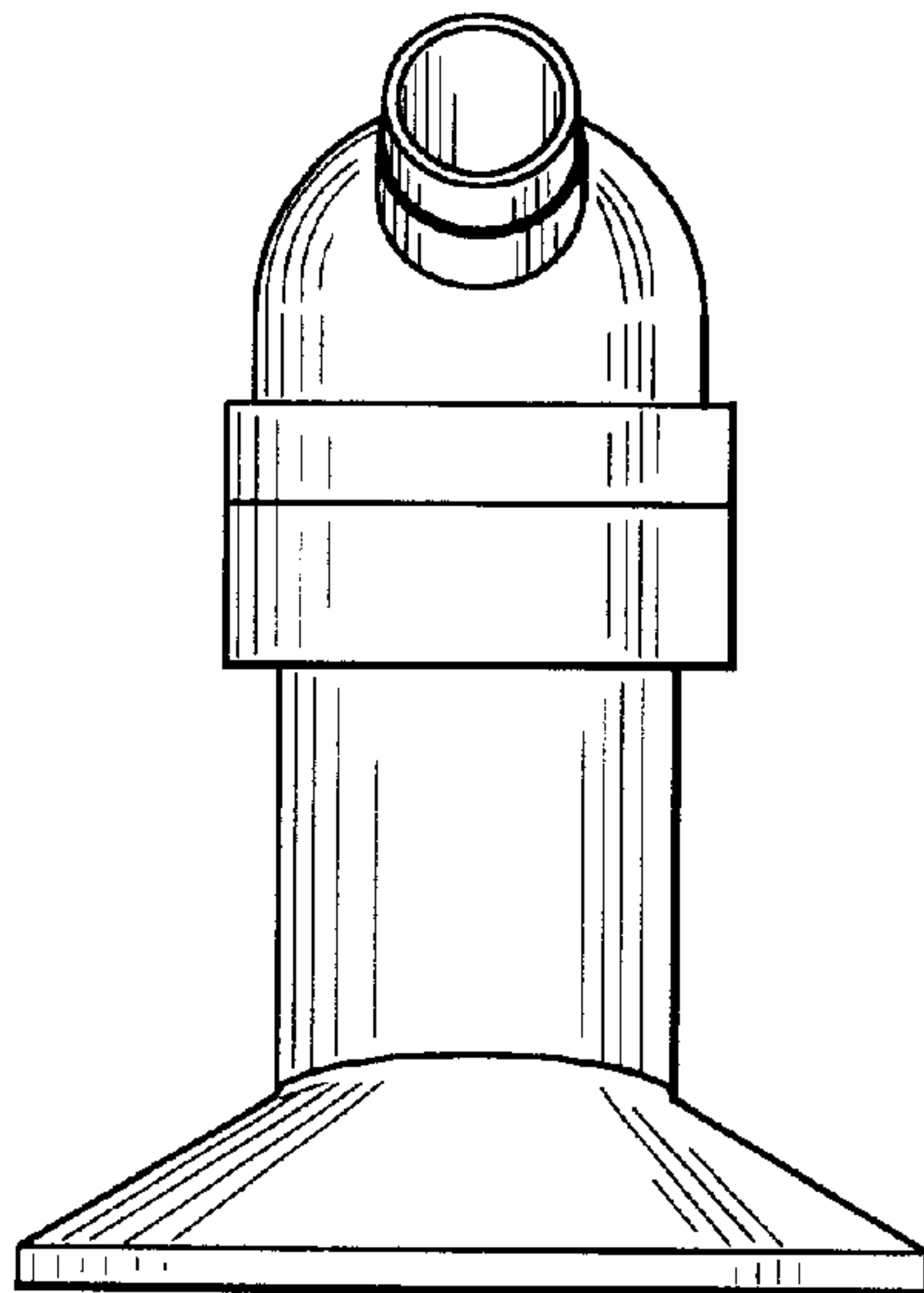


FIG. 10

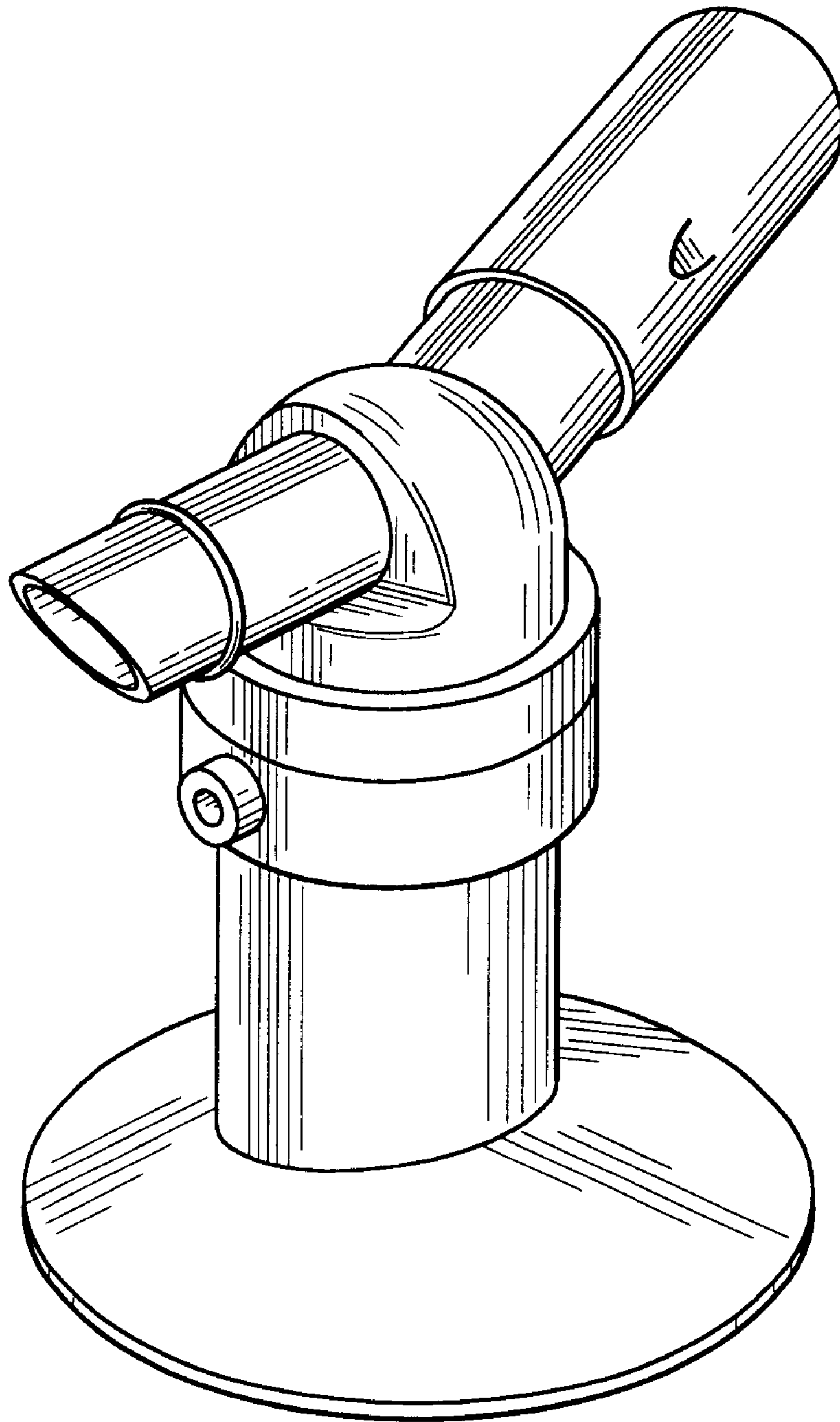


FIG. 1 1

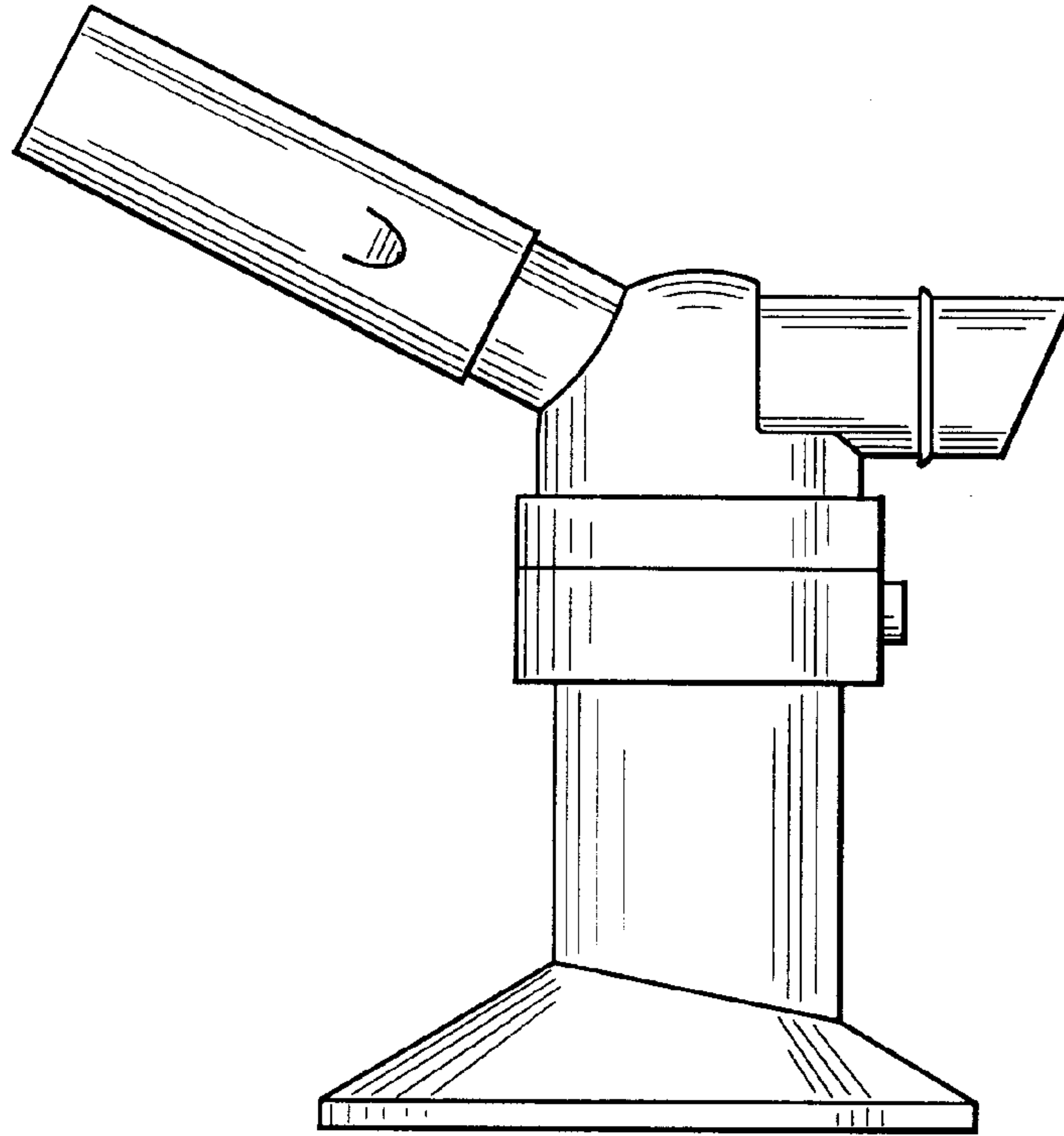


FIG. 1 2

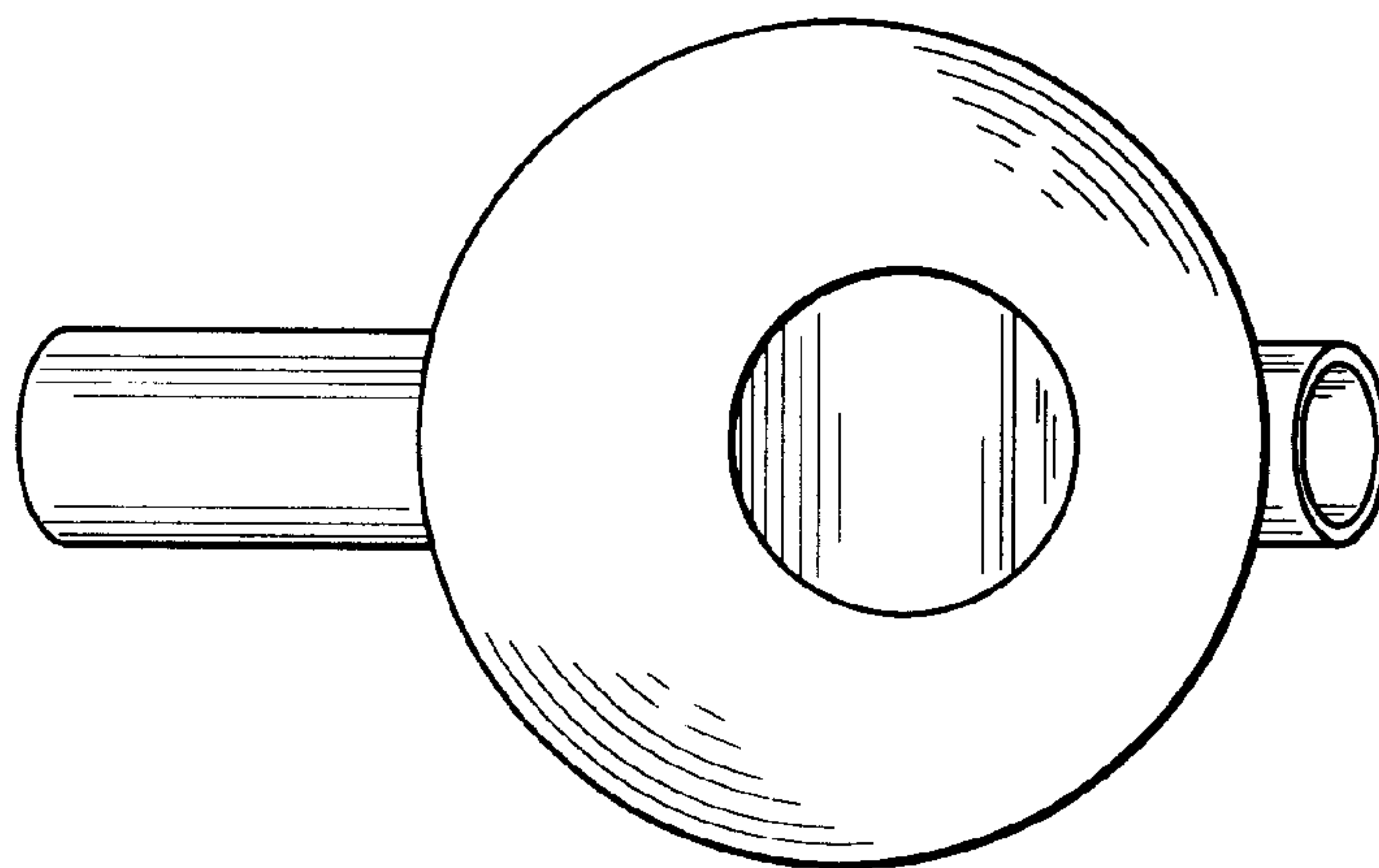


FIG. 1 3

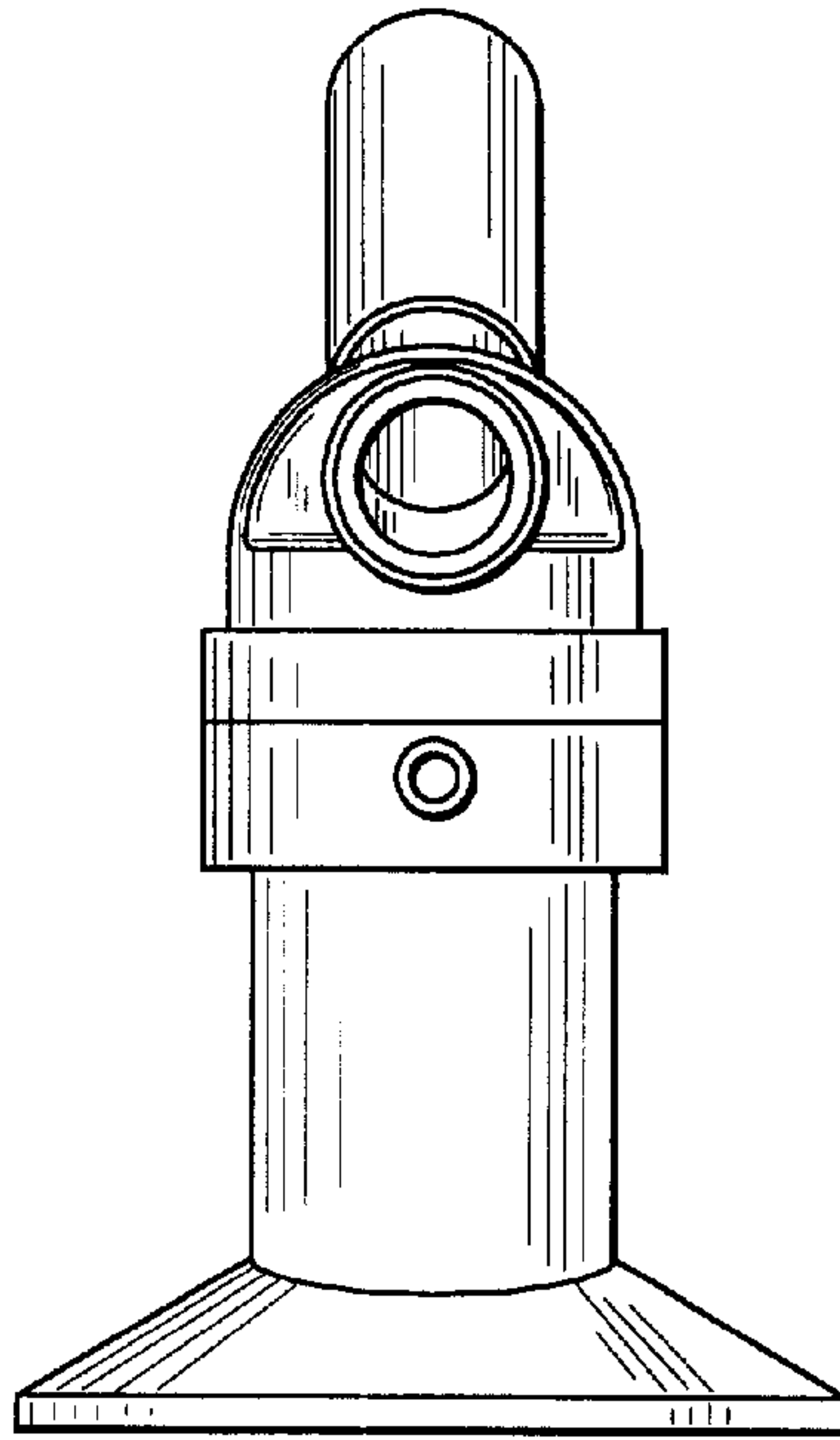


FIG. 14

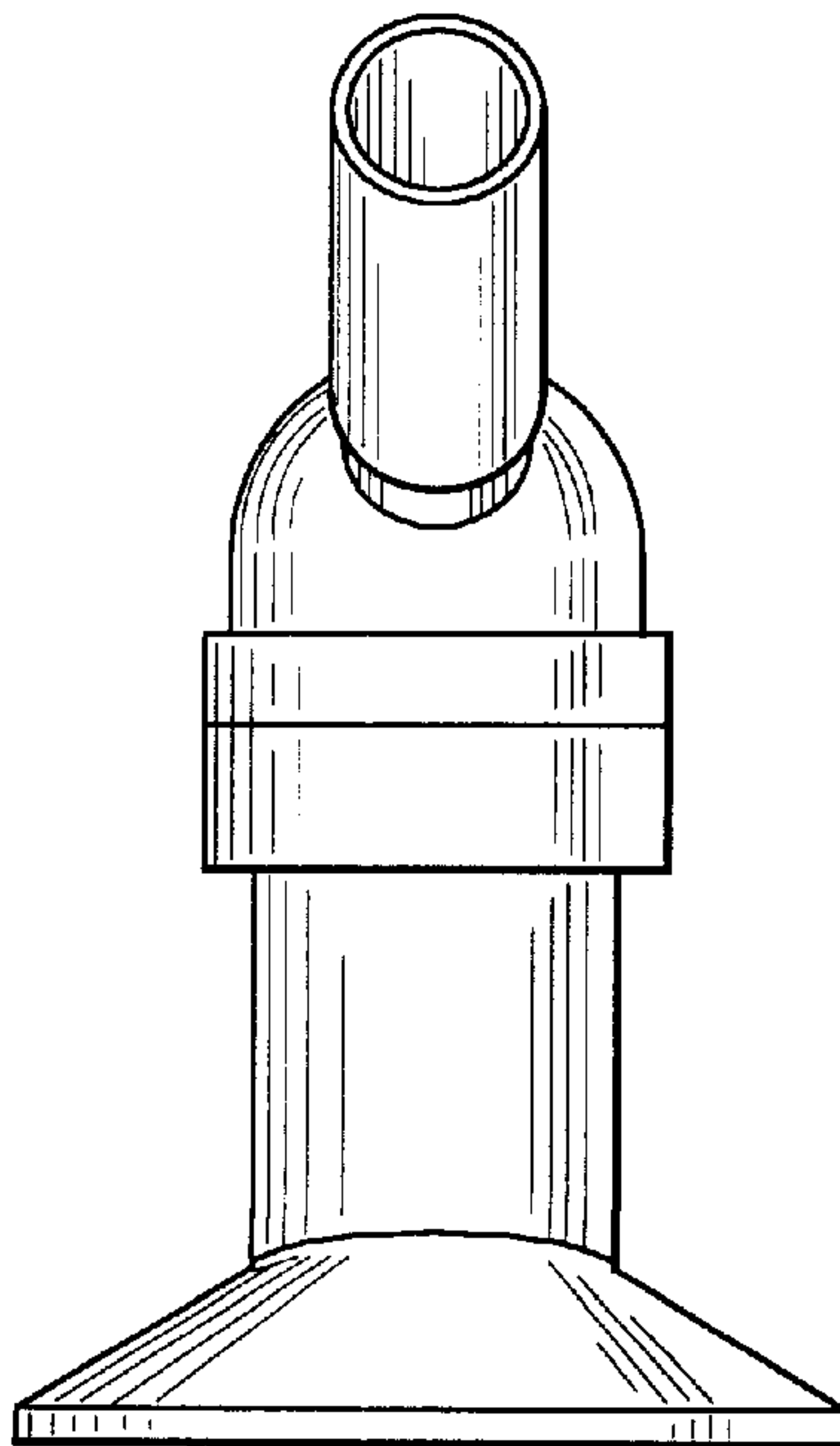


FIG. 15

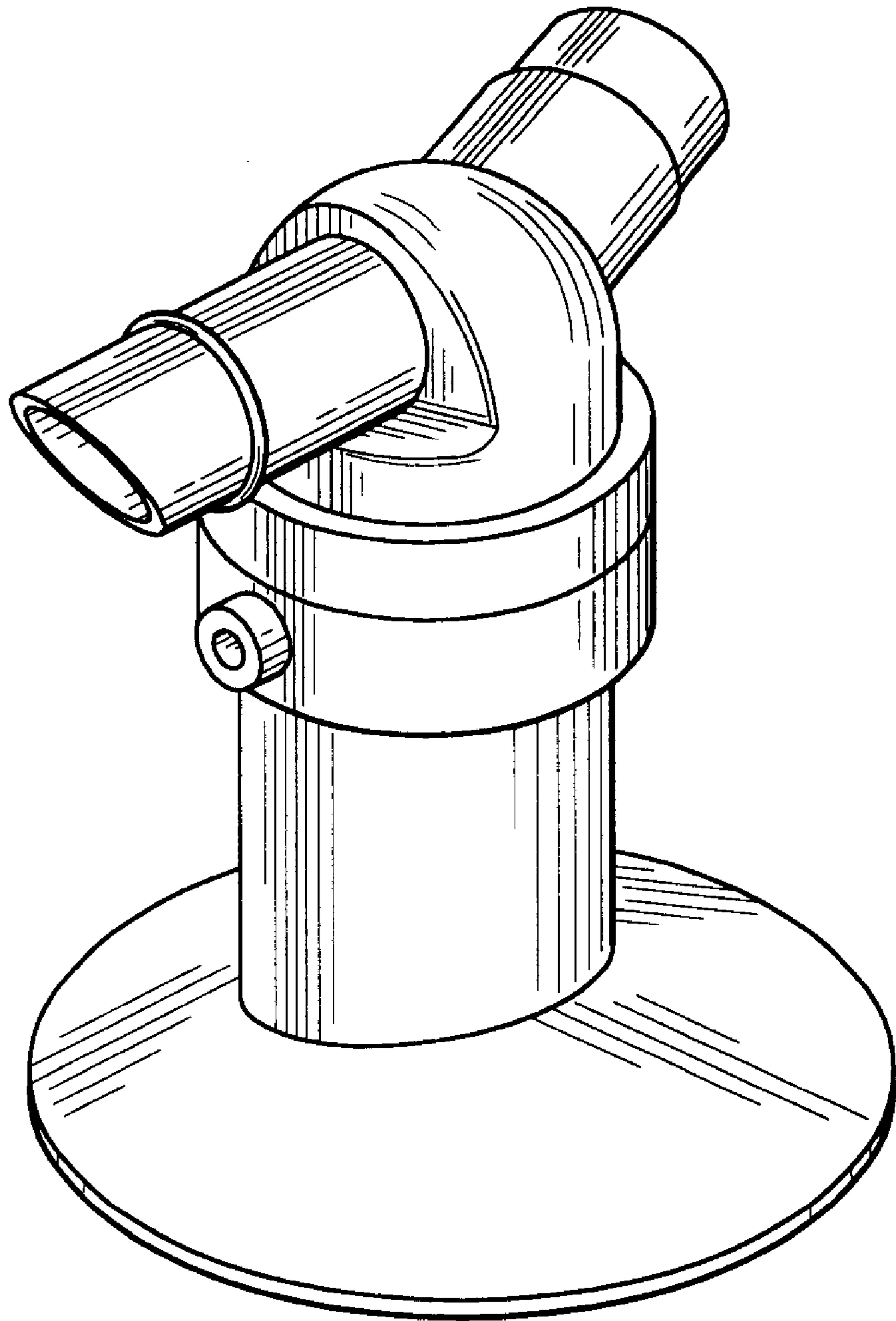


FIG. 16

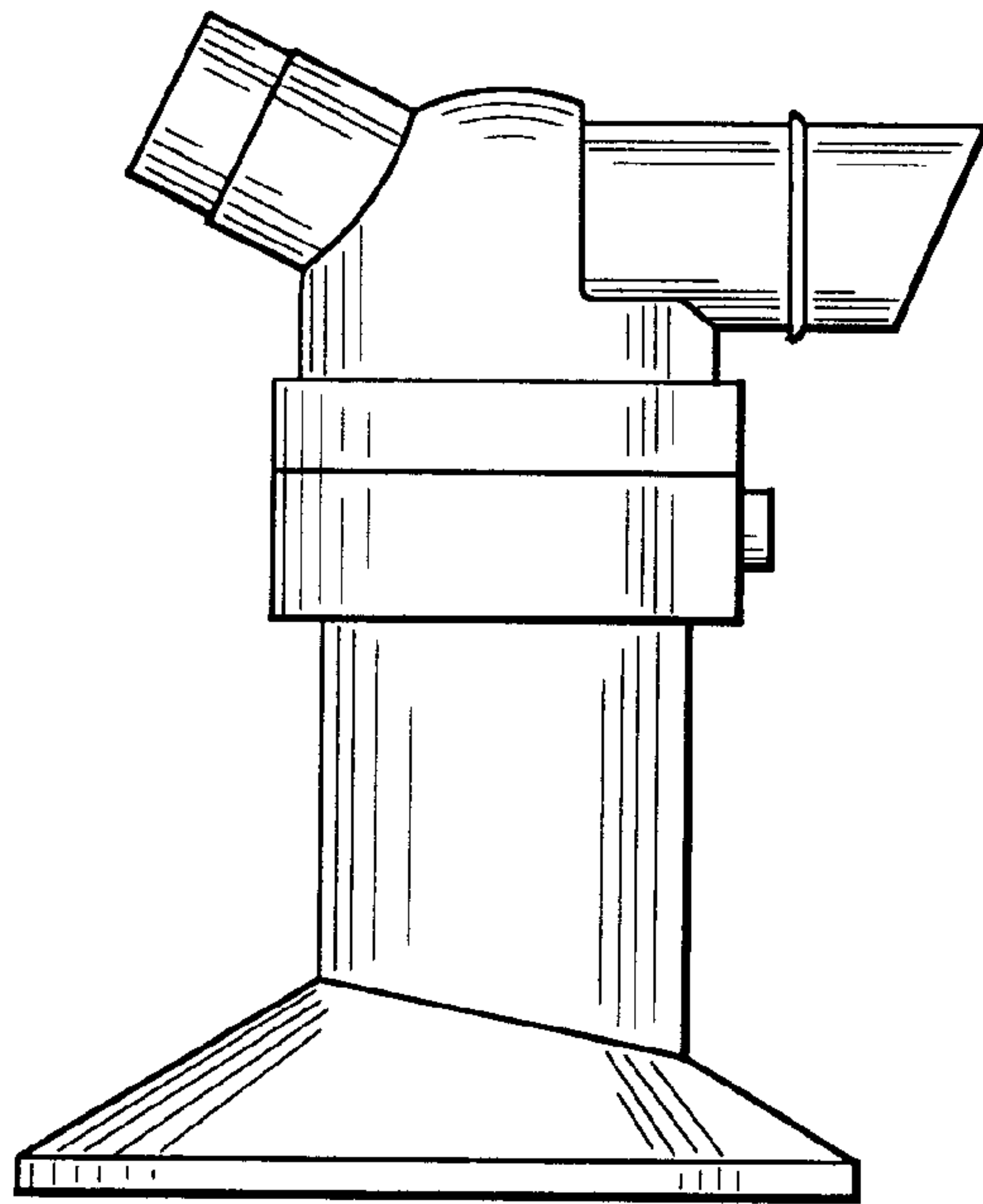


FIG. 17

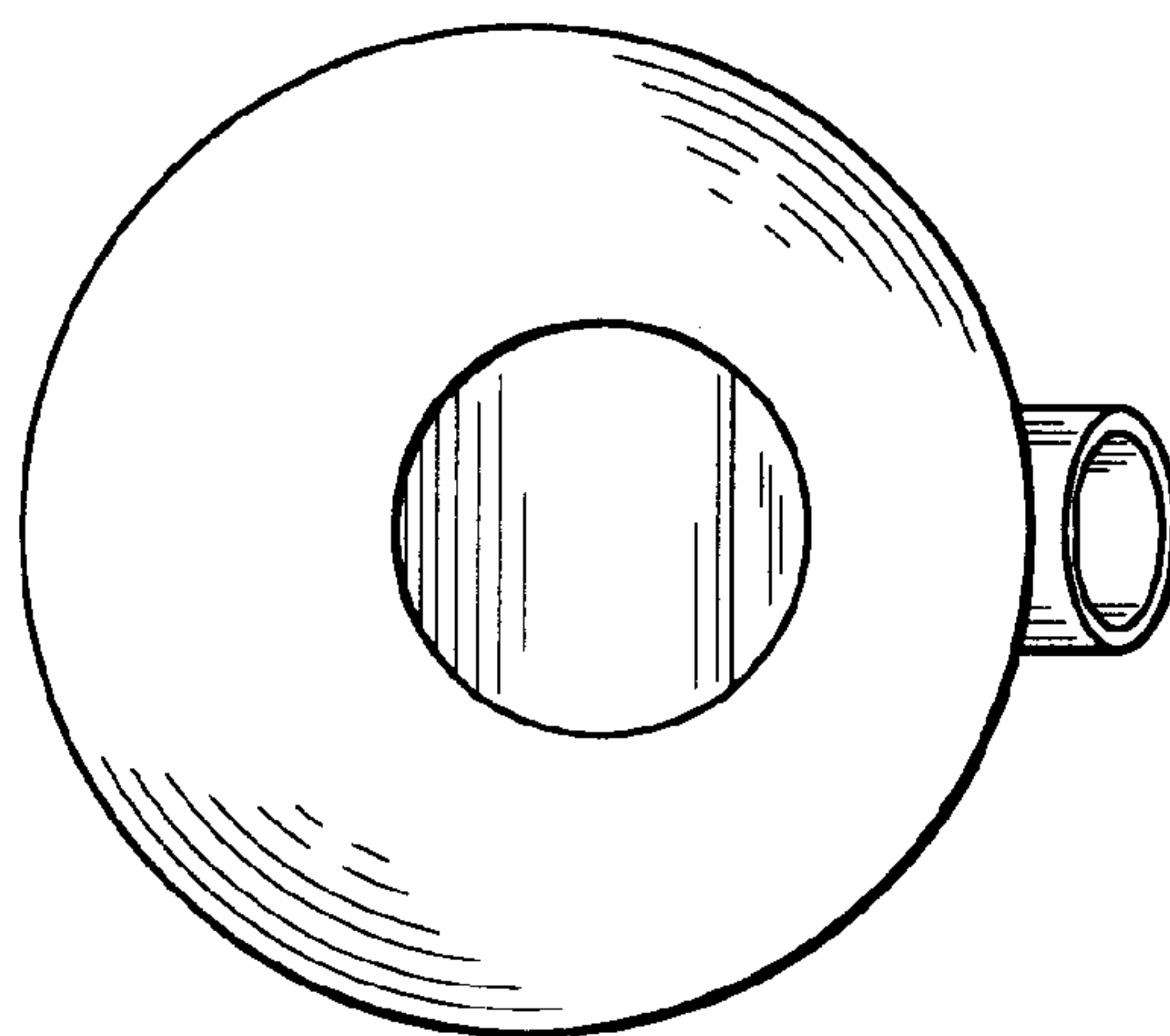


FIG. 18

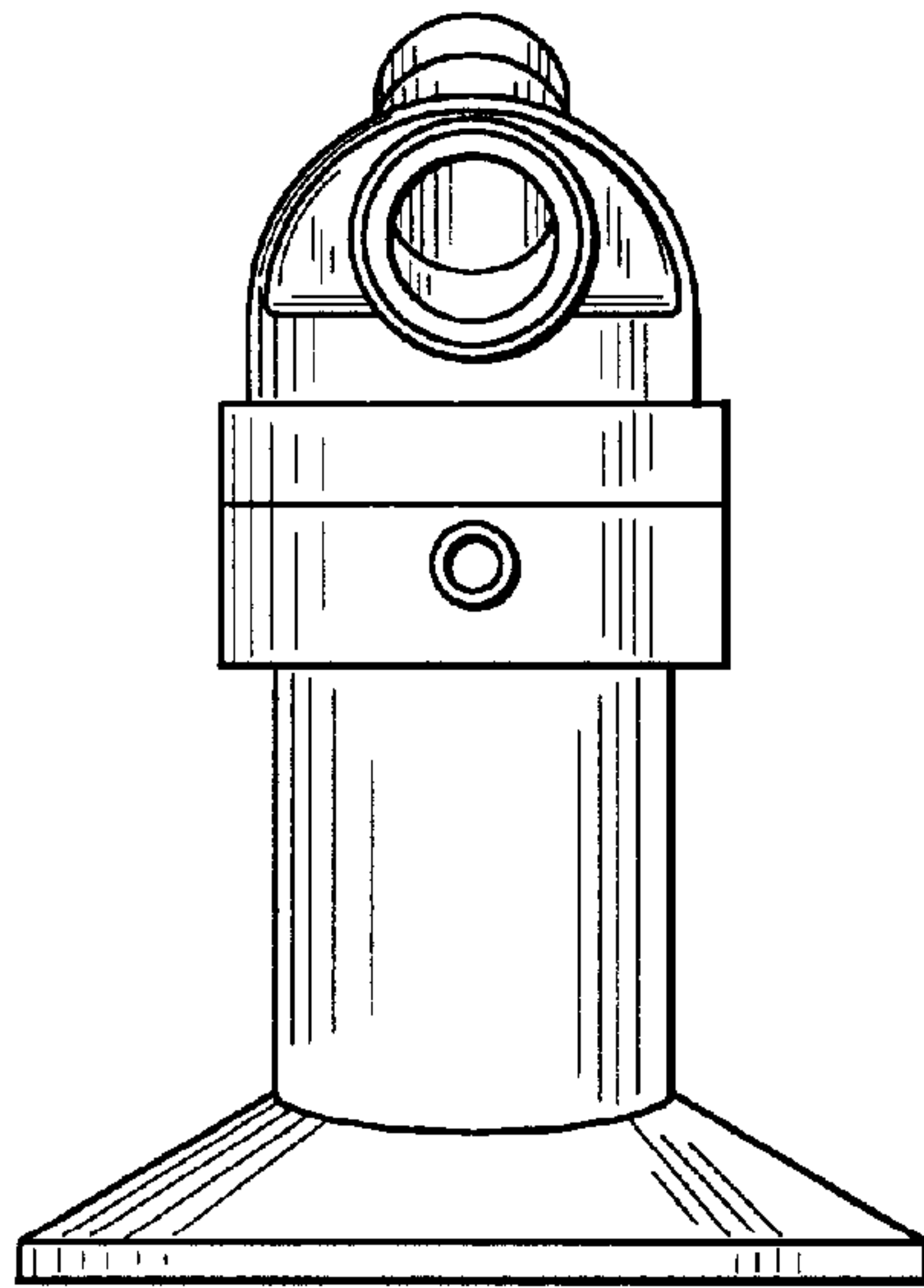


FIG. 19

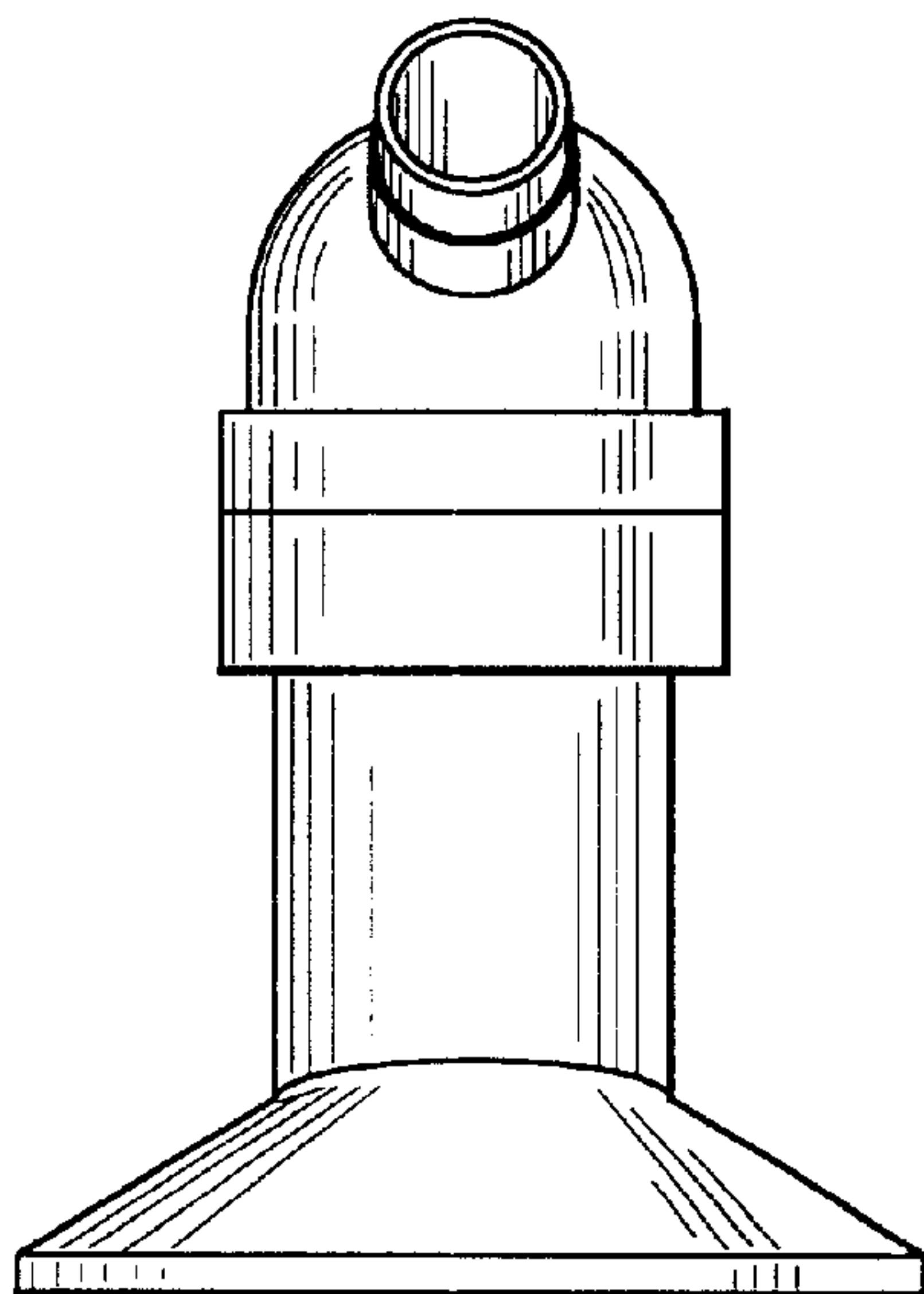


FIG. 20