



US00D441068S

(12) **United States Design Patent**  
**Bogazzi**

(10) **Patent No.:** **US D441,068 S**

(45) **Date of Patent:** **\*\* Apr. 24, 2001**

(54) **COMBINED HOUSING AND BASE FOR A TABLE FAN**

(75) **Inventor:** **Marco Bogazzi**, Memphis, TN (US)

(73) **Assignee:** **Hunter Fan Company**, Memphis, TN (US)

(\*\*) **Term:** **14 Years**

(21) **Appl. No.:** **29/127,753**

(22) **Filed:** **Aug. 10, 2000**

(51) **LOC (7) Cl.** ..... **23-04**

(52) **U.S. Cl.** ..... **D23/411**

(58) **Field of Search** ..... D23/382, 381,  
D23/378, 332, 335, 336; 416/244 R, 247 R,  
246

(56) **References Cited**

**U.S. PATENT DOCUMENTS**

D. 172,692	*	7/1954	Theisen	.....	D23/328
D. 207,361	*	4/1967	Bruns	.....	D23/382
D. 312,124		11/1990	Coup et al.	.....	D23/382
D. 315,018	*	2/1991	Wang	.....	D23/382
D. 325,079		3/1992	Chaim	.....	D23/379
D. 325,435		4/1992	Coup et al.	.....	D23/411
D. 325,777		4/1992	Cook	.....	D23/382

D. 329,089	9/1992	Coup et al.	.....	D23/382
D. 329,696	9/1992	Ediger et al.	.....	D23/411
D. 362,498	9/1995	Swales	.....	D23/382
D. 386,565	11/1997	Jane et al.	.....	D23/382
D. 398,983	9/1998	Keller et al.	.....	D23/382
D. 414,256	9/1999	Thomas, Jr.	.....	D23/382
D. 416,619	11/1999	Ediger et al.	.....	D23/411

\* cited by examiner

*Primary Examiner*—Lisa Lichtenstein

(74) *Attorney, Agent, or Firm*—Baker, Donelson, Bearman & Caldwell

(57) **CLAIM**

The ornamental design for a combined housing and base for a table fan, as shown and described.

**DESCRIPTION**

FIG. 1 is a perspective view of a combined housing and base for a table fan showing my new design;

FIG. 2 is a front view of FIG. 1;

FIG. 3 is a right-side view of FIG. 1;

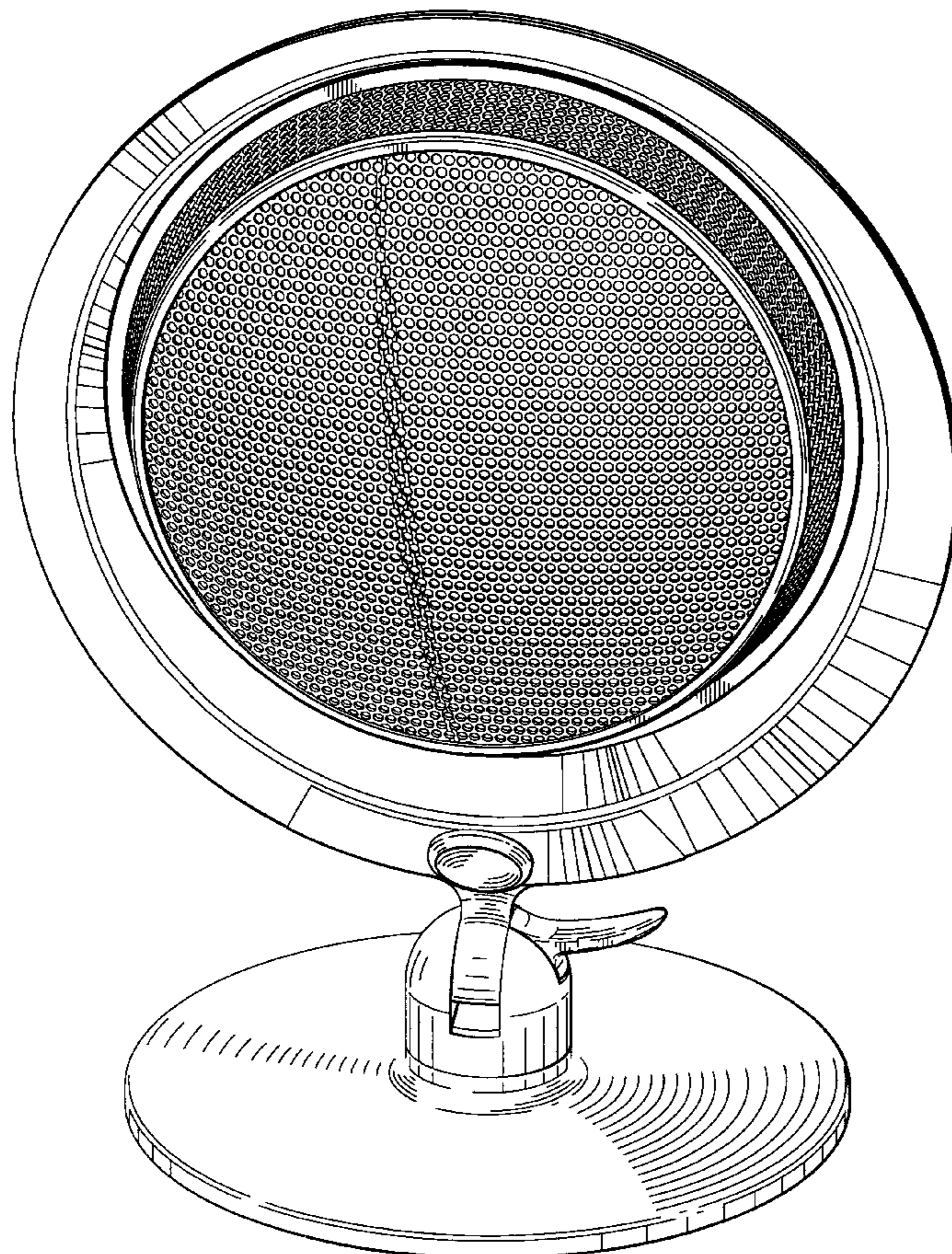
FIG. 4 is a rear view of FIG. 1;

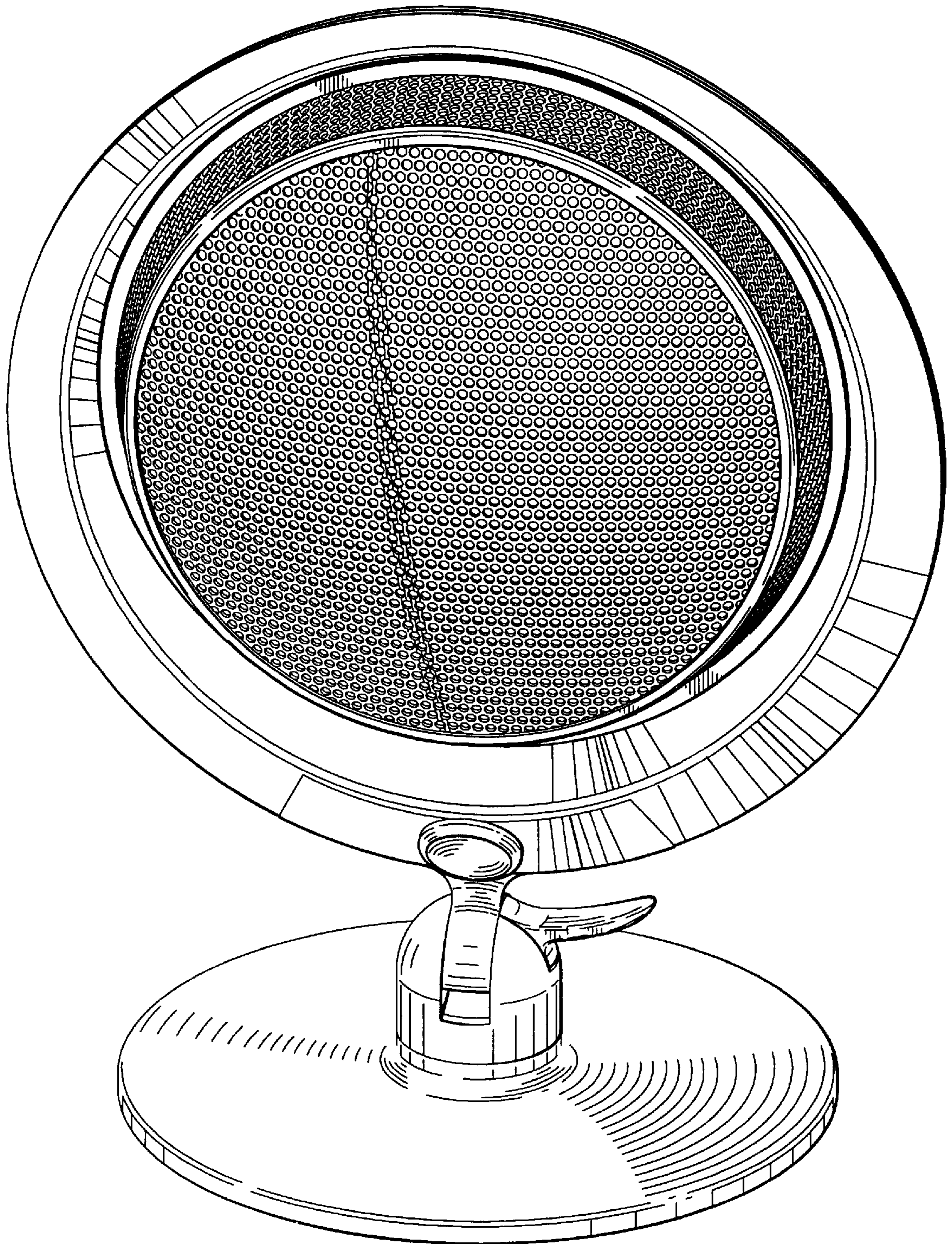
FIG. 5 is a left-side view of FIG. 1;

FIG. 6 is a top view of FIG. 1; and,

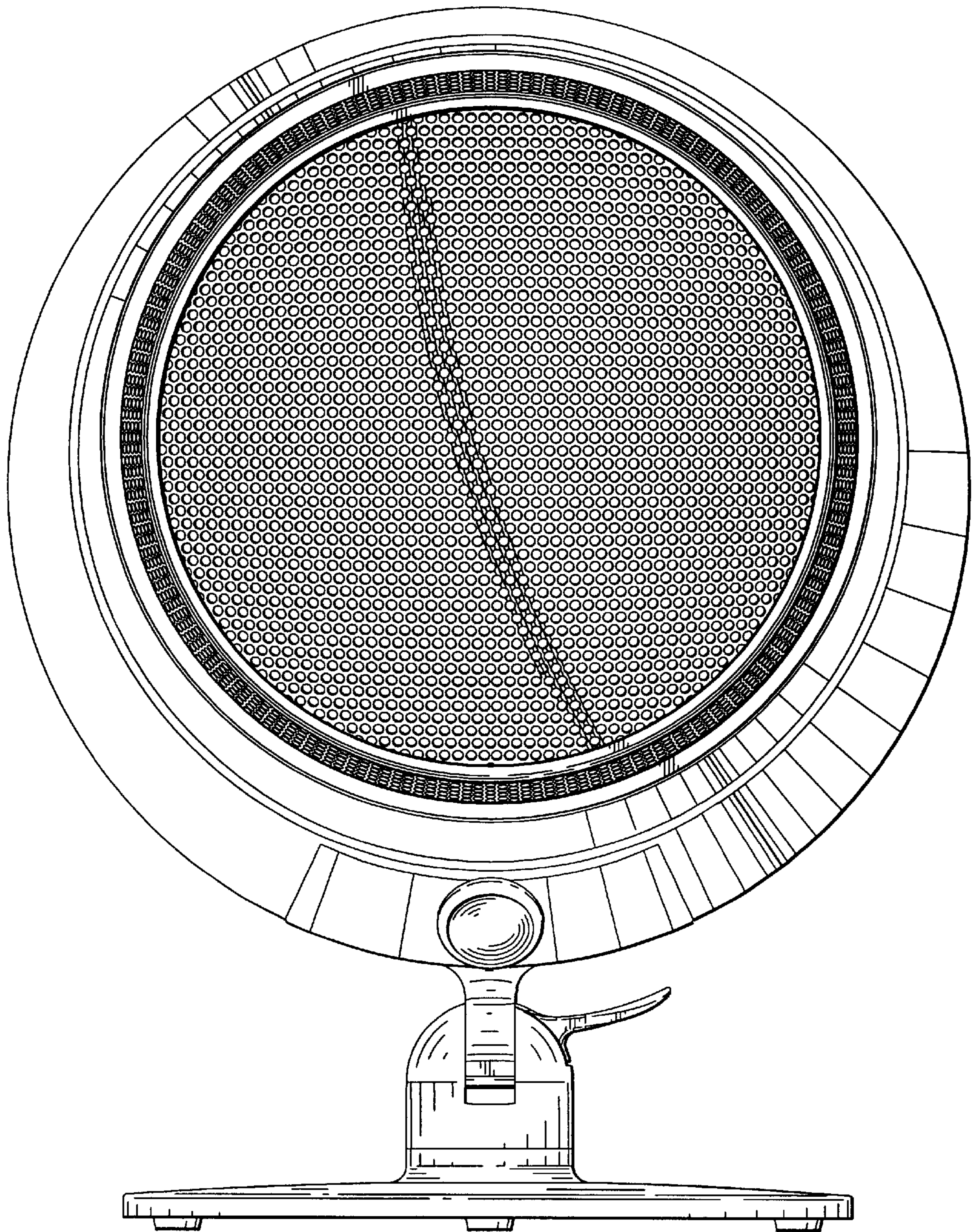
FIG. 7 is a bottom view of FIG. 1.

**1 Claim, 7 Drawing Sheets**

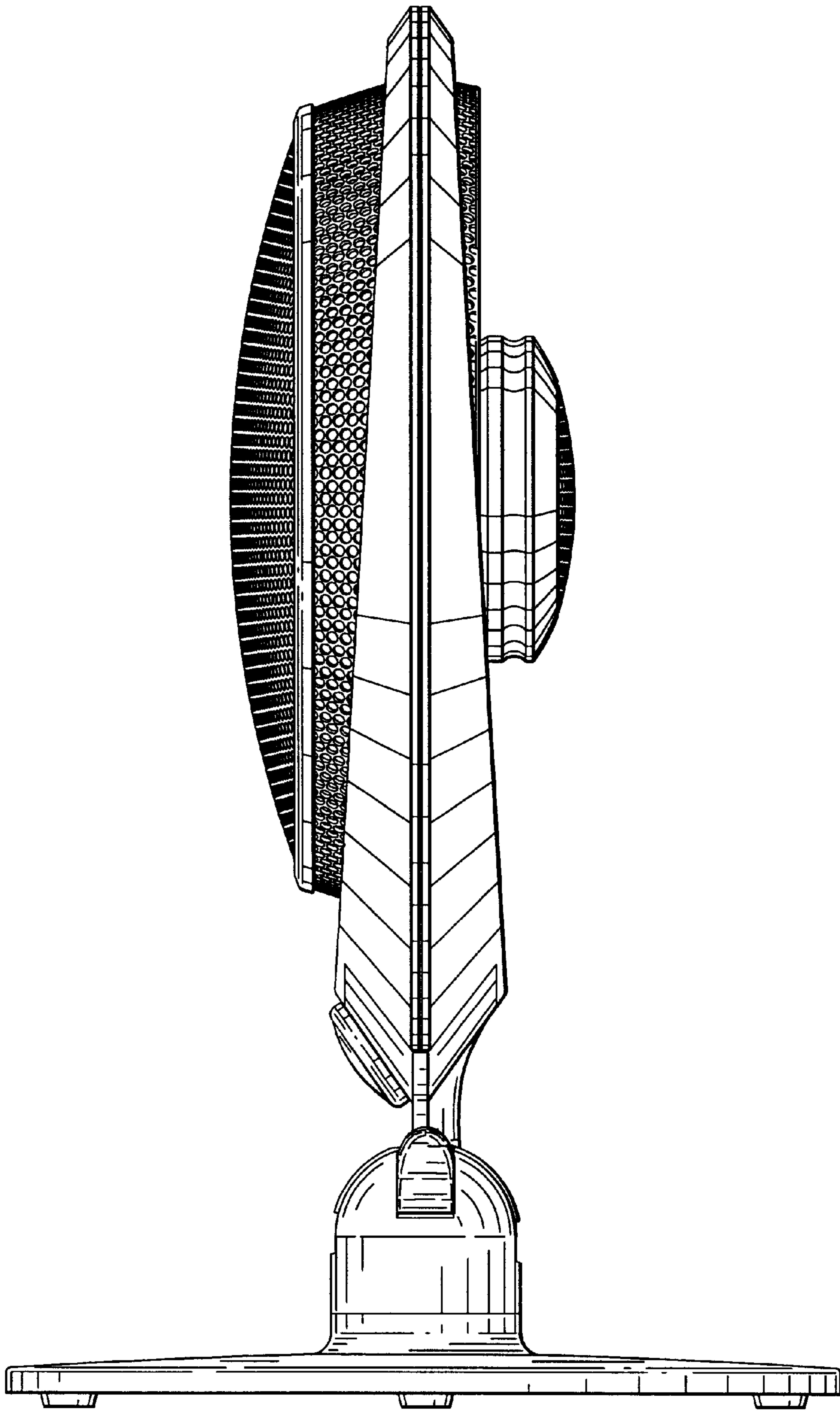




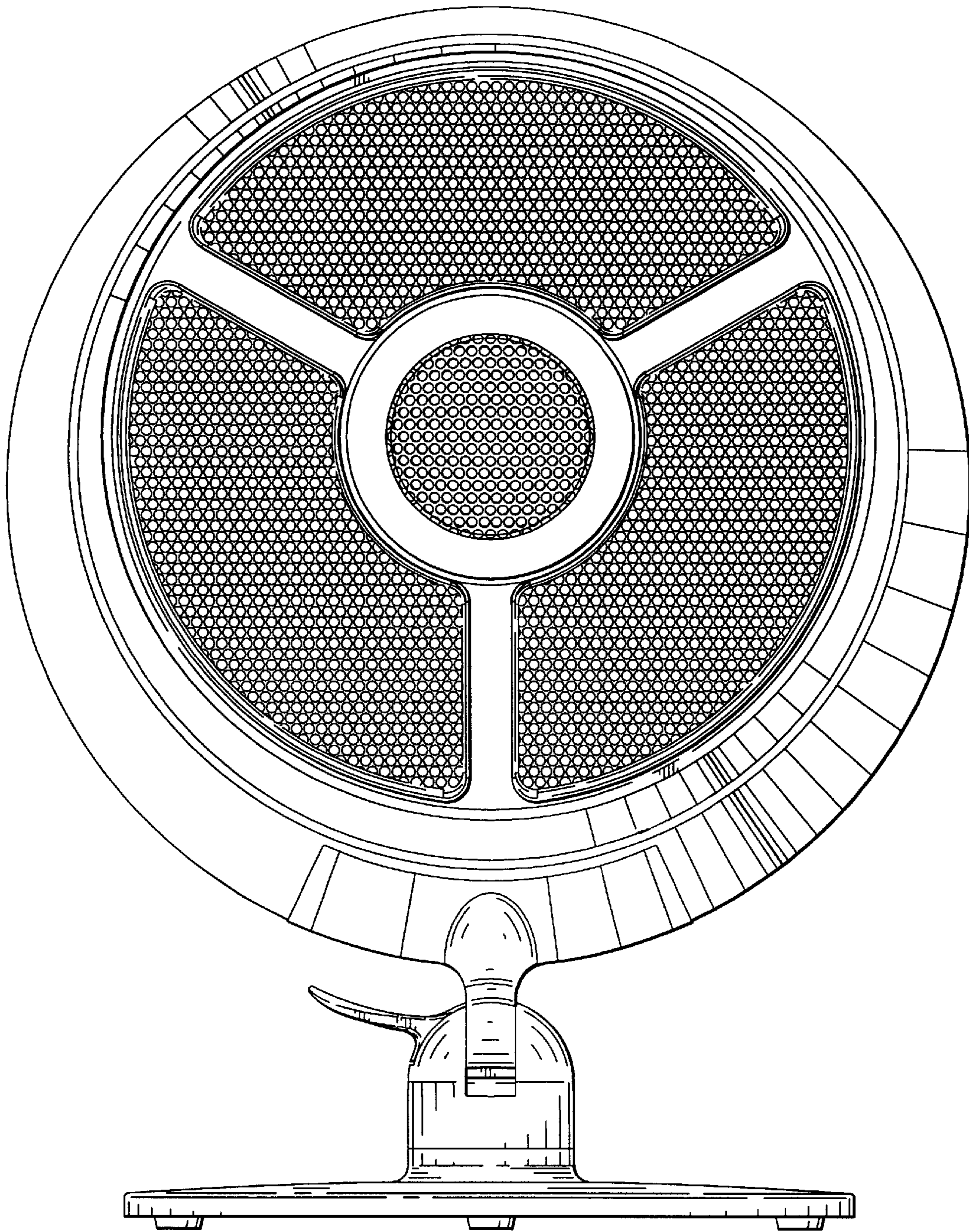
**FIG 1**



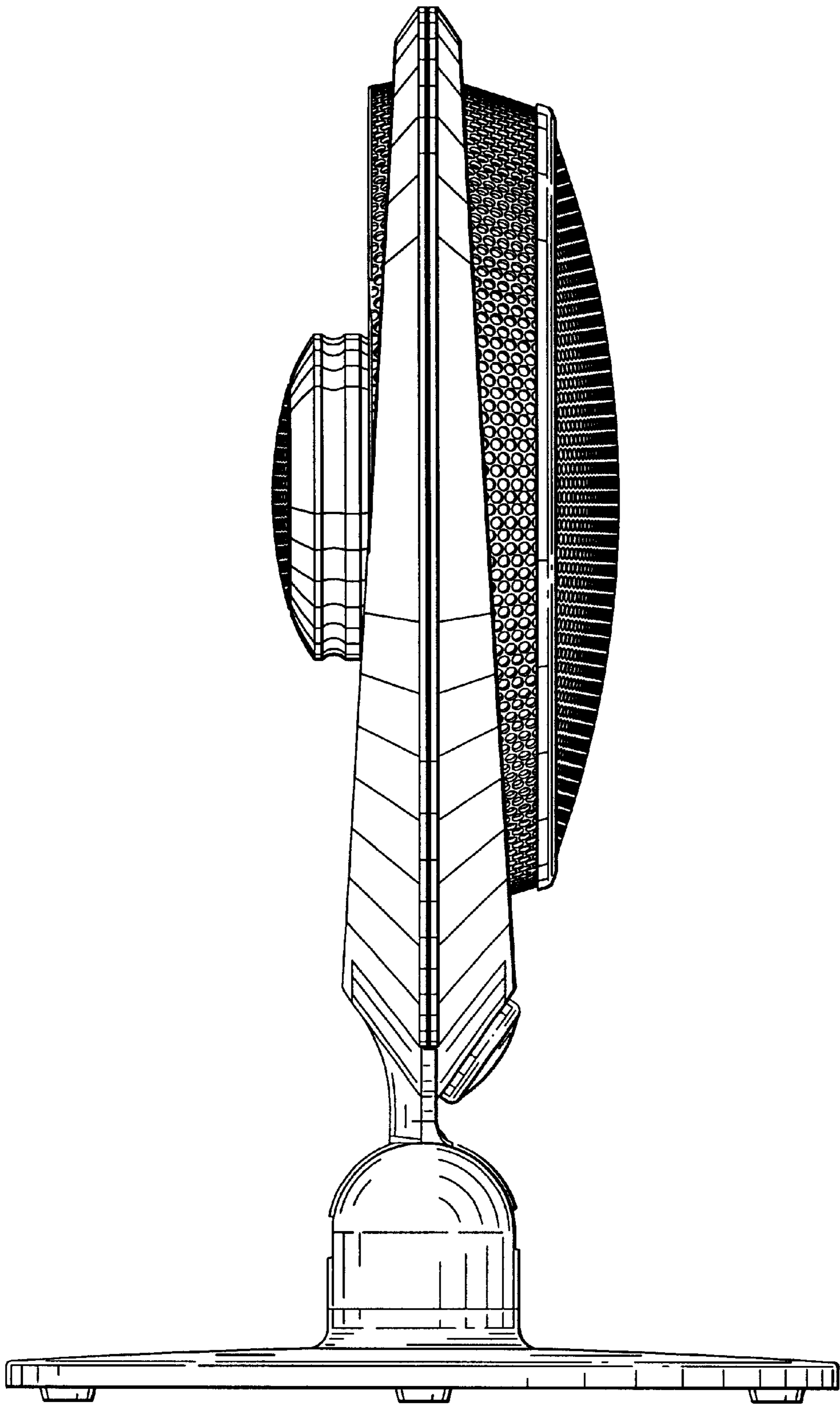
**FIG 2**



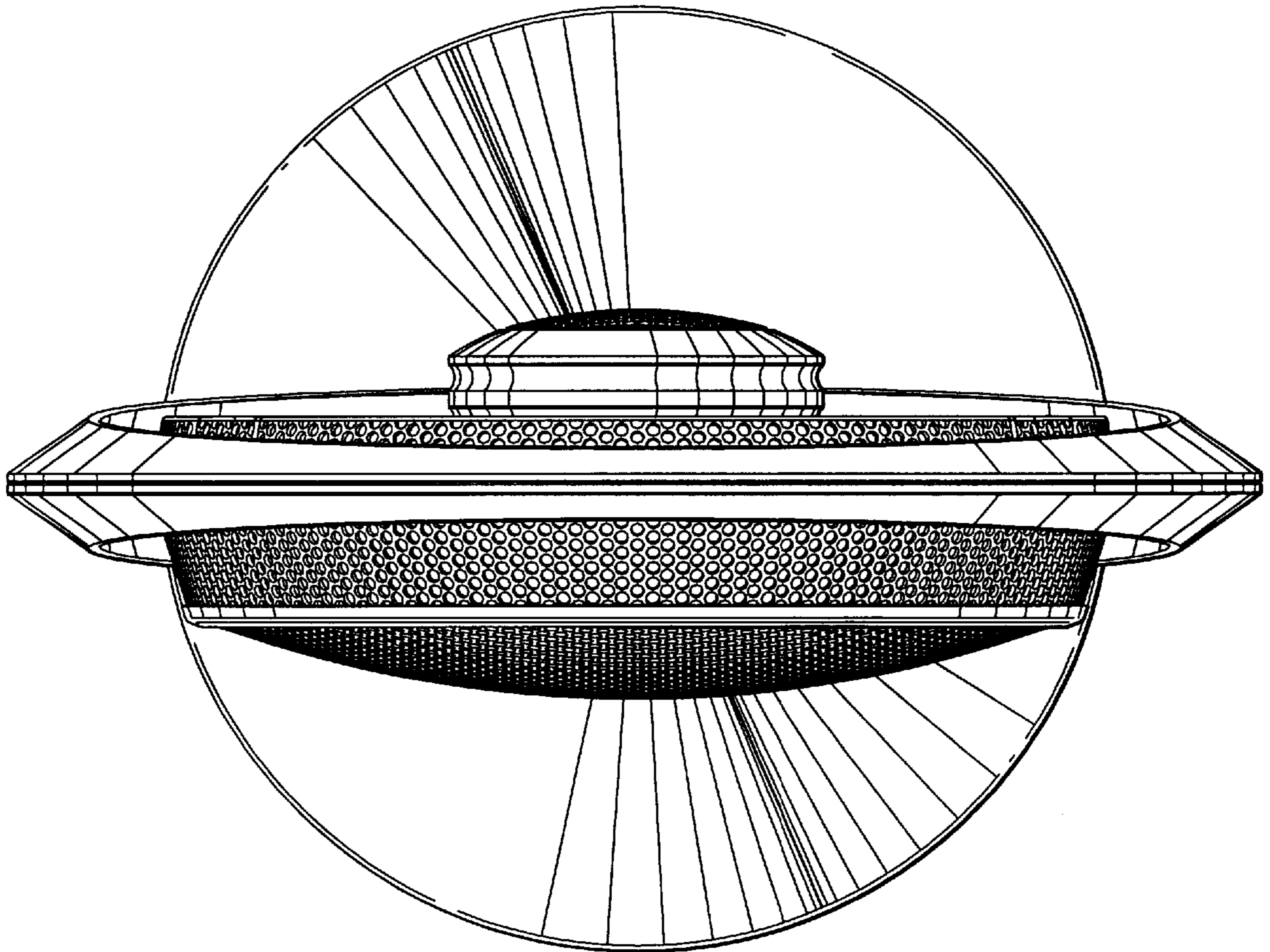
**FIG 3**



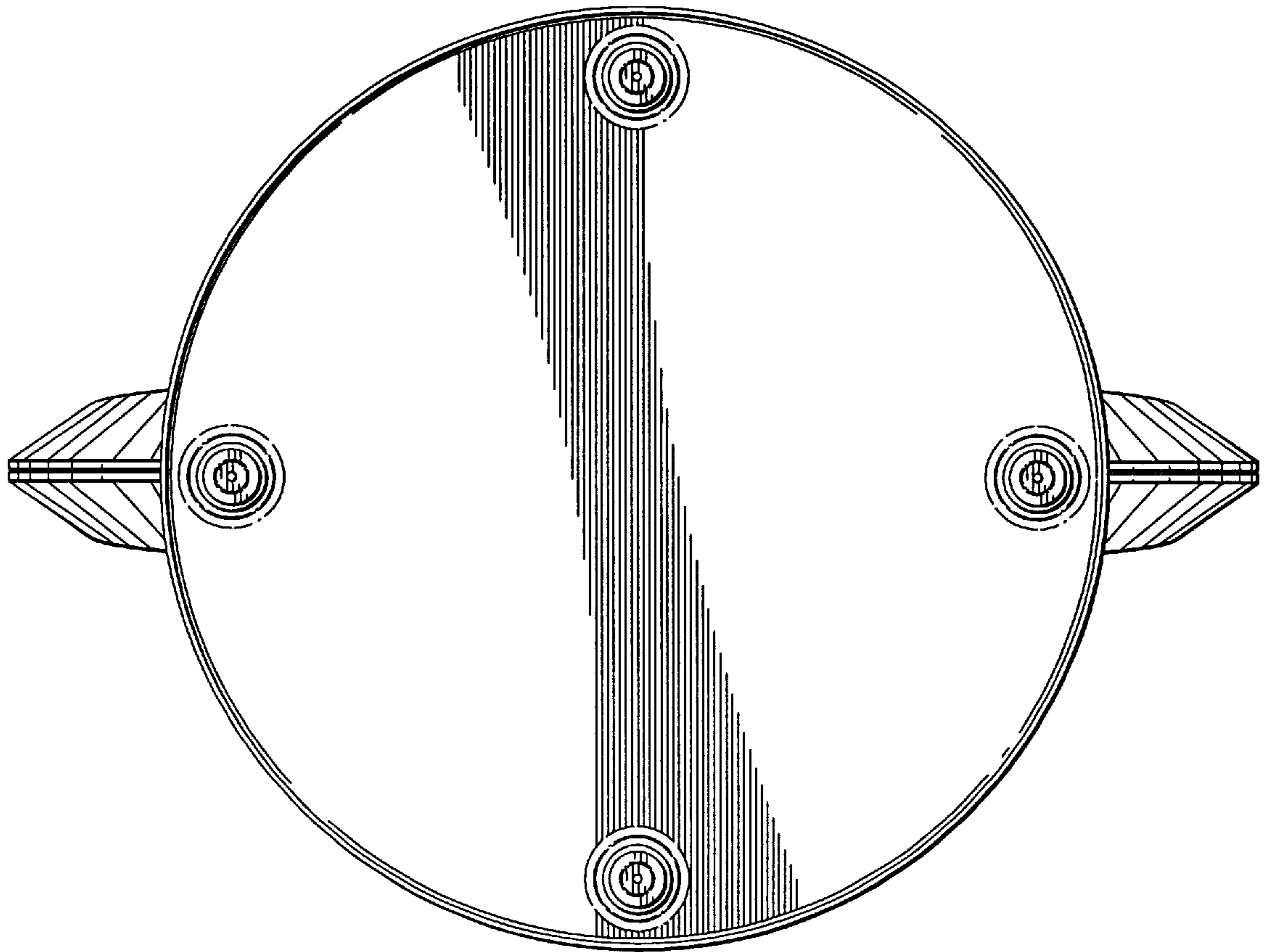
**FIG 4**



**FIG 5**



**FIG 6**



**FIG 7**