



US00D441065S

(12) **United States Design Patent**
Ediger et al.

(10) **Patent No.:** **US D441,065 S**

(45) **Date of Patent:** **** Apr. 24, 2001**

(54) **VORTEX HEATER FAN**

(75) Inventors: **Glen W. Ediger**, North Newton; **Kevin E. Keller**, Wichita, both of KS (US);
Michael S. Joss; **Steven C. Cozzolino**, both of Chicago, IL (US)

(73) Assignee: **Vornado Air Circulation Systems, Inc.**, Andover, KS (US)

(**) Term: **14 Years**

(21) Appl. No.: **29/117,064**

(22) Filed: **Jan. 14, 2000**

(51) **LOC (7) Cl.** **23-03**

(52) **U.S. Cl.** **D23/328**; D23/335; D23/382

(58) **Field of Search** D23/332, 355-341, D23/370, 382, 328; 312/236, 244; 416/95, 247 R; 392/365-9, 373-6, 352-3, 432-4

(56) **References Cited**

U.S. PATENT DOCUMENTS

D. 290,498	6/1987	Beane et al. .	
D. 300,776	4/1989	Fu et al. .	
D. 312,124	11/1990	Coup et al. .	
D. 323,708	2/1992	Wang .	
D. 326,317	5/1992	Coup et al. .	
D. 326,318	5/1992	Coup et al. .	
D. 329,089	9/1992	Coup et al. .	
D. 353,660	12/1994	Cunning .	
D. 384,734 *	10/1997	Ellwood	D23/335
D. 396,279	7/1998	Ediger et al. .	

D. 397,430	8/1998	Ediger et al. .	
D. 398,983	9/1998	Keller et al. .	
D. 413,664	9/1999	Keller et al. .	
D. 421,646 *	3/2000	Palma et al.	D23/335

OTHER PUBLICATIONS

Del-Rain Pelonis Ceramic Disc Furnace, Model P-7051, Del-Rain Catalog (undated).
Honeywell Heater Fan, Model HZ2400; http://hcretailo.honeywell.com/Hcp_store/catalog/productdisplay.asp?subgoupm um=19, undated.*

* cited by examiner

Primary Examiner—B. J. Bullock
(74) *Attorney, Agent, or Firm*—Stinson, Mag & Fizzell, P.C.

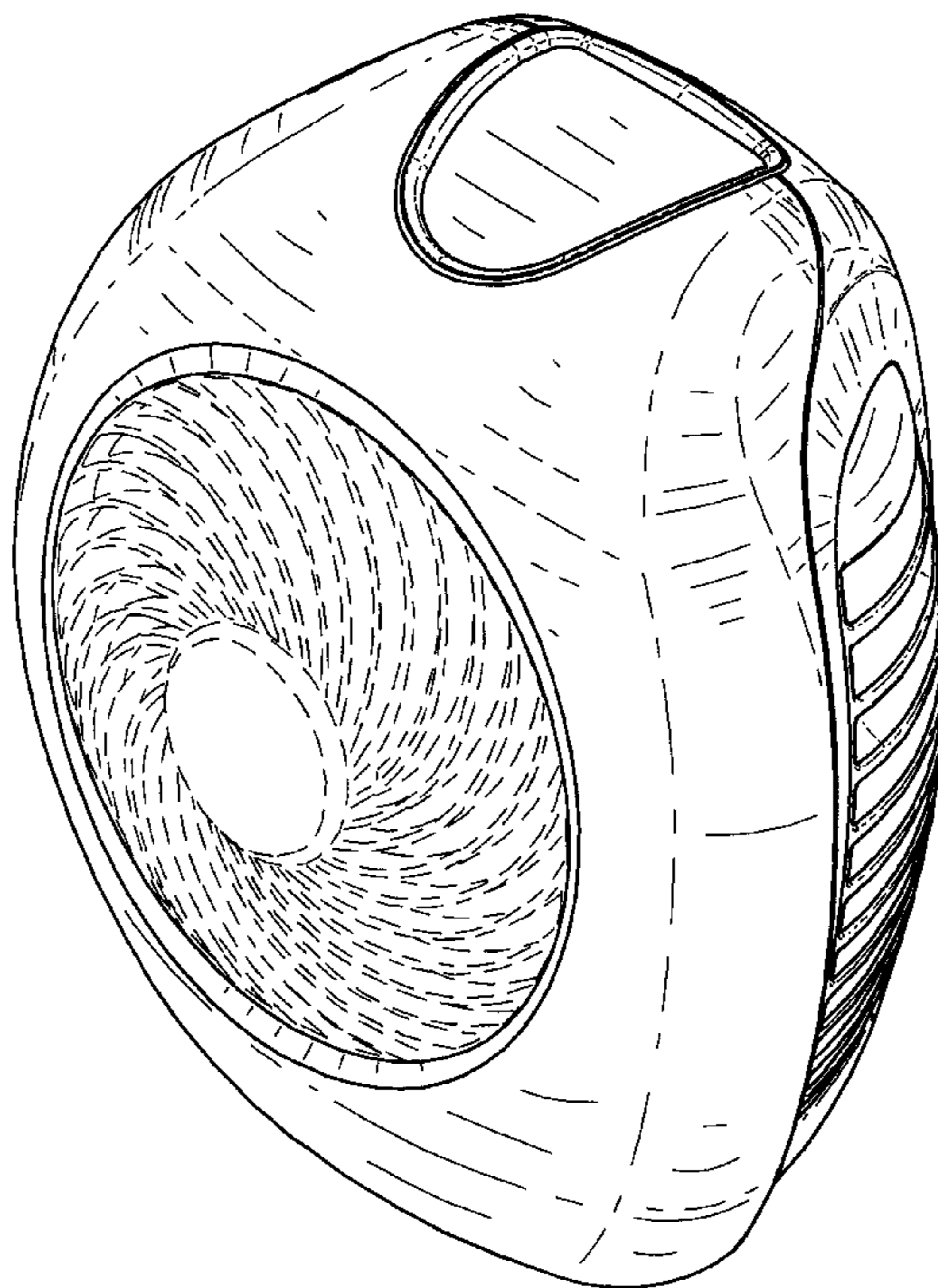
(57) **CLAIM**

The ornamental design for a vortex heater fan, as shown and described.

DESCRIPTION

FIG. 1 is a front perspective view of the vortex heater fan; FIG. 2 is a front elevational view of the vortex heater fan of FIG. 1; FIG. 3 is a top plan view of the vortex heater fan of FIG. 1; FIG. 4 is a rear elevaitonal view of the vortex heater fan of FIG. 1; and, FIG. 5 is a left side elevational view of the vortex heater fan of FIG. 1, the right side view of the vortex heater fan is symmetrical to the view shown in FIG. 5.

1 Claim, 3 Drawing Sheets



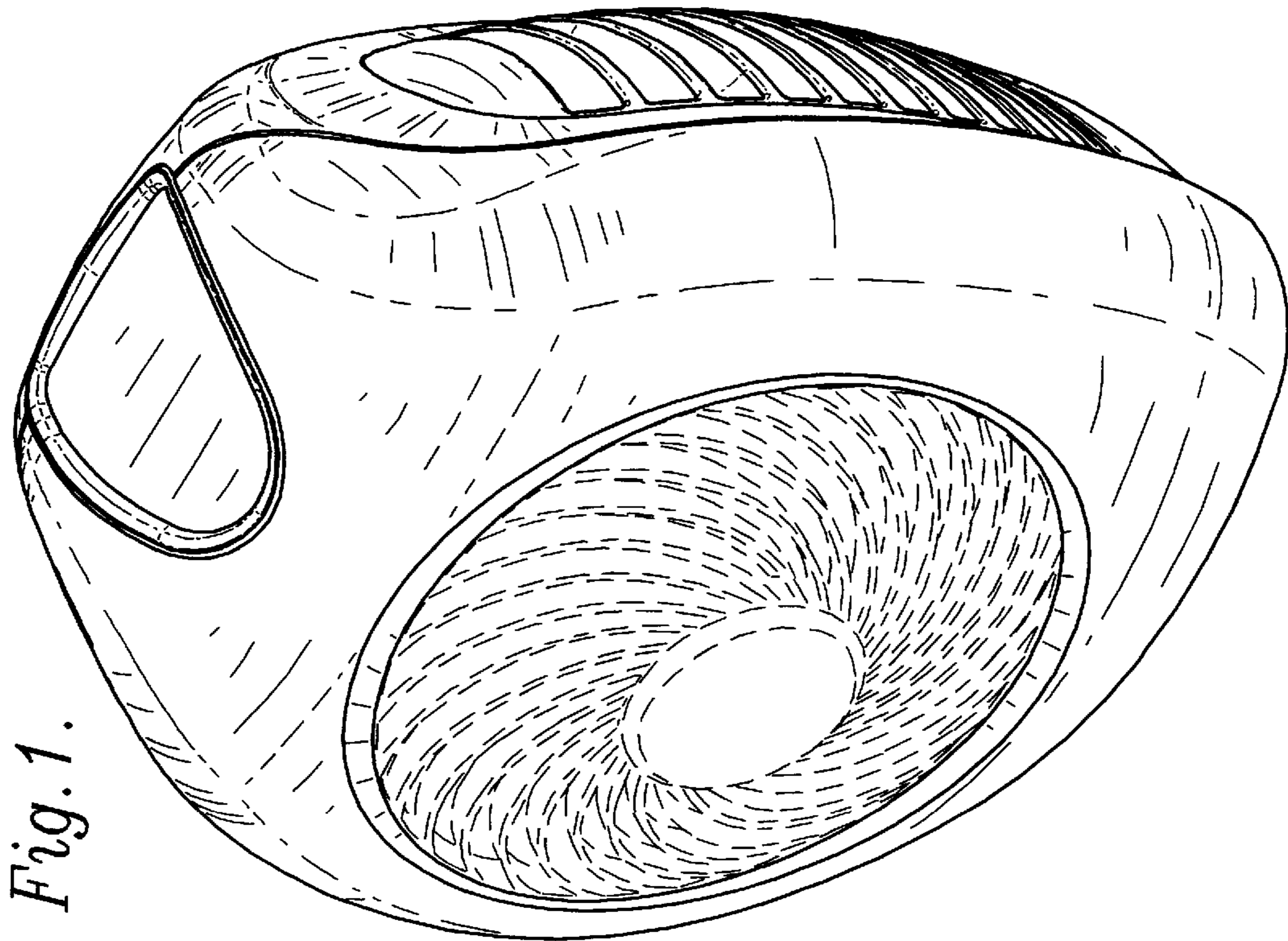


Fig. 1.

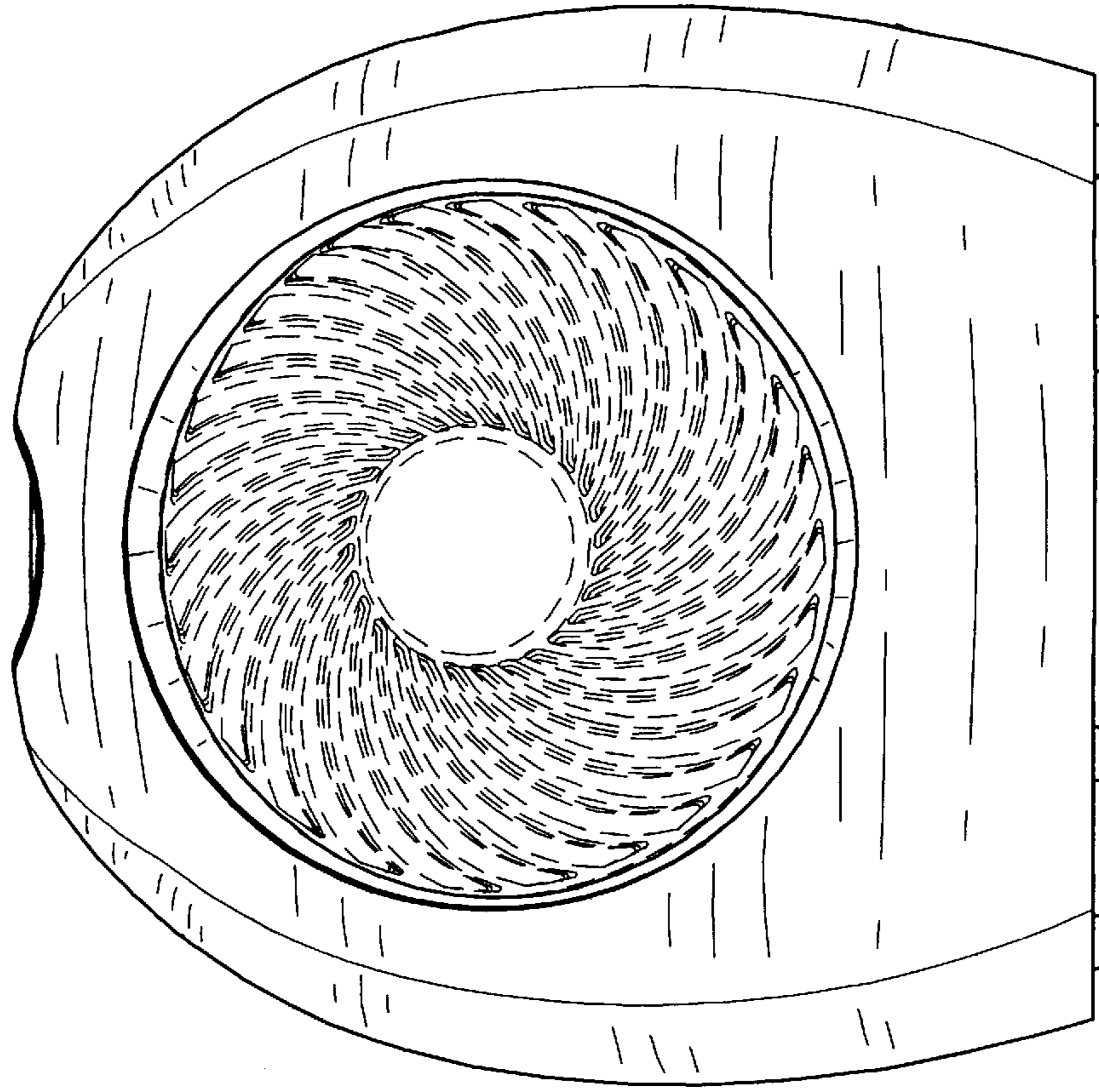


Fig. 2.

Fig. 4.

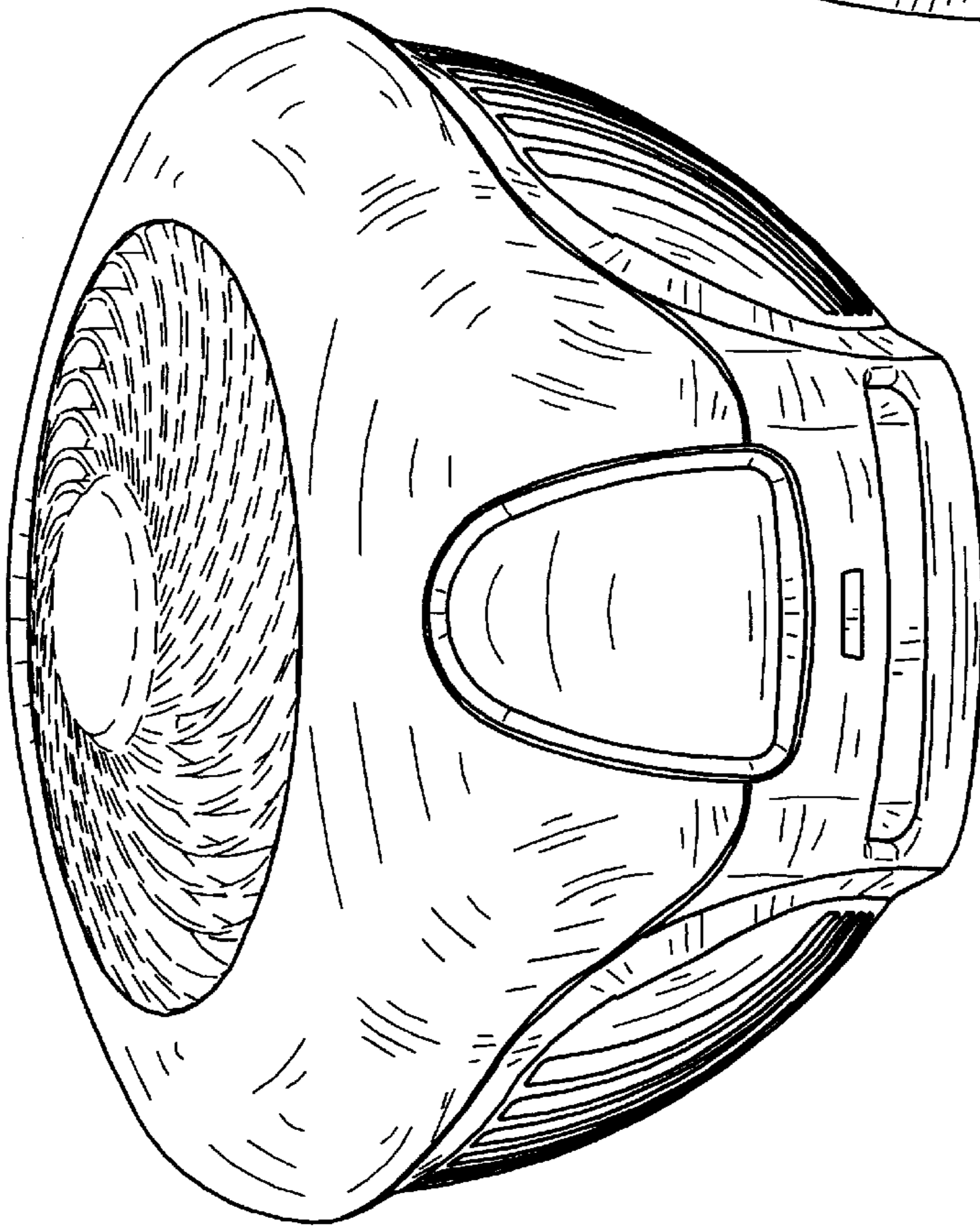
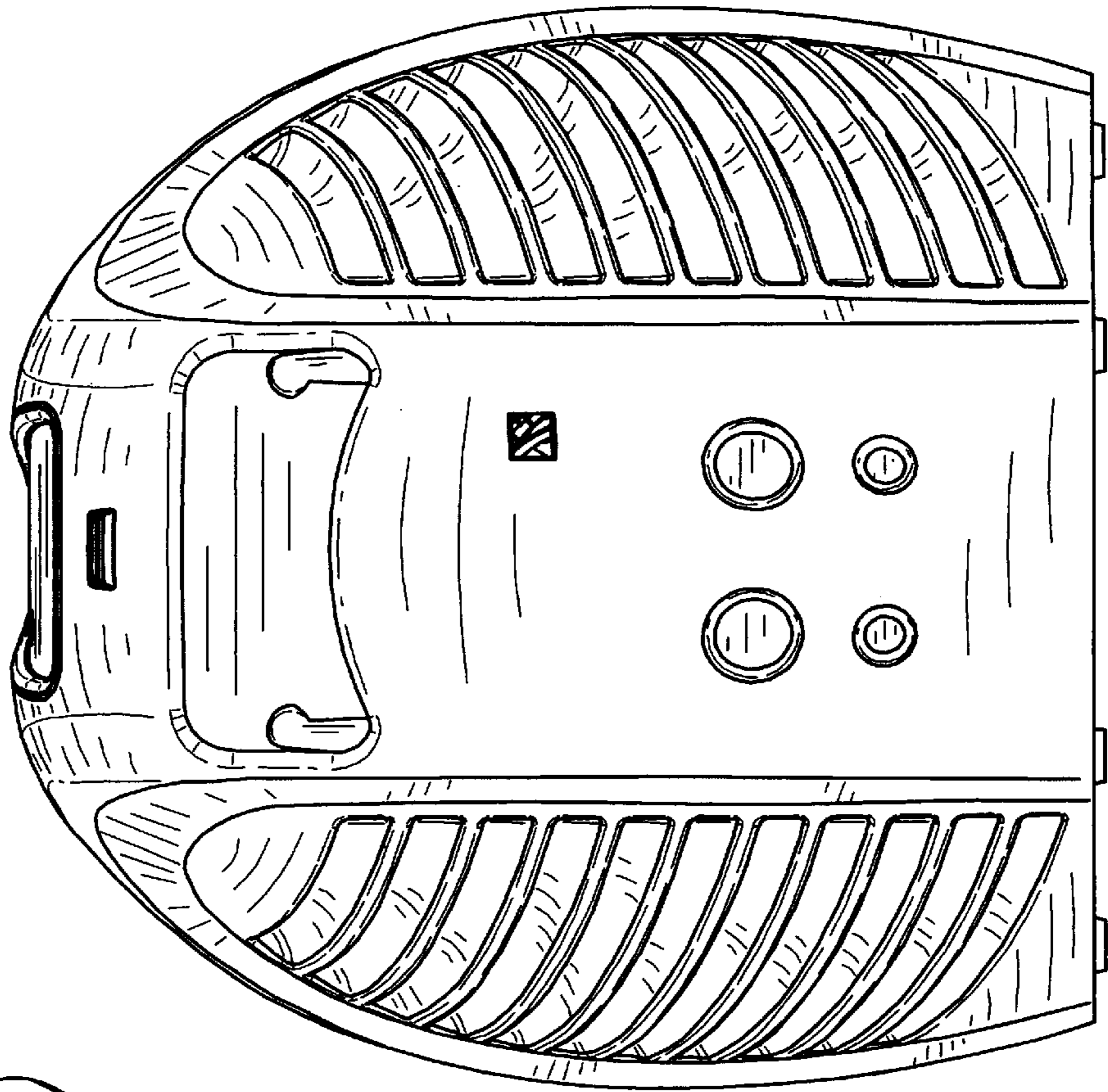
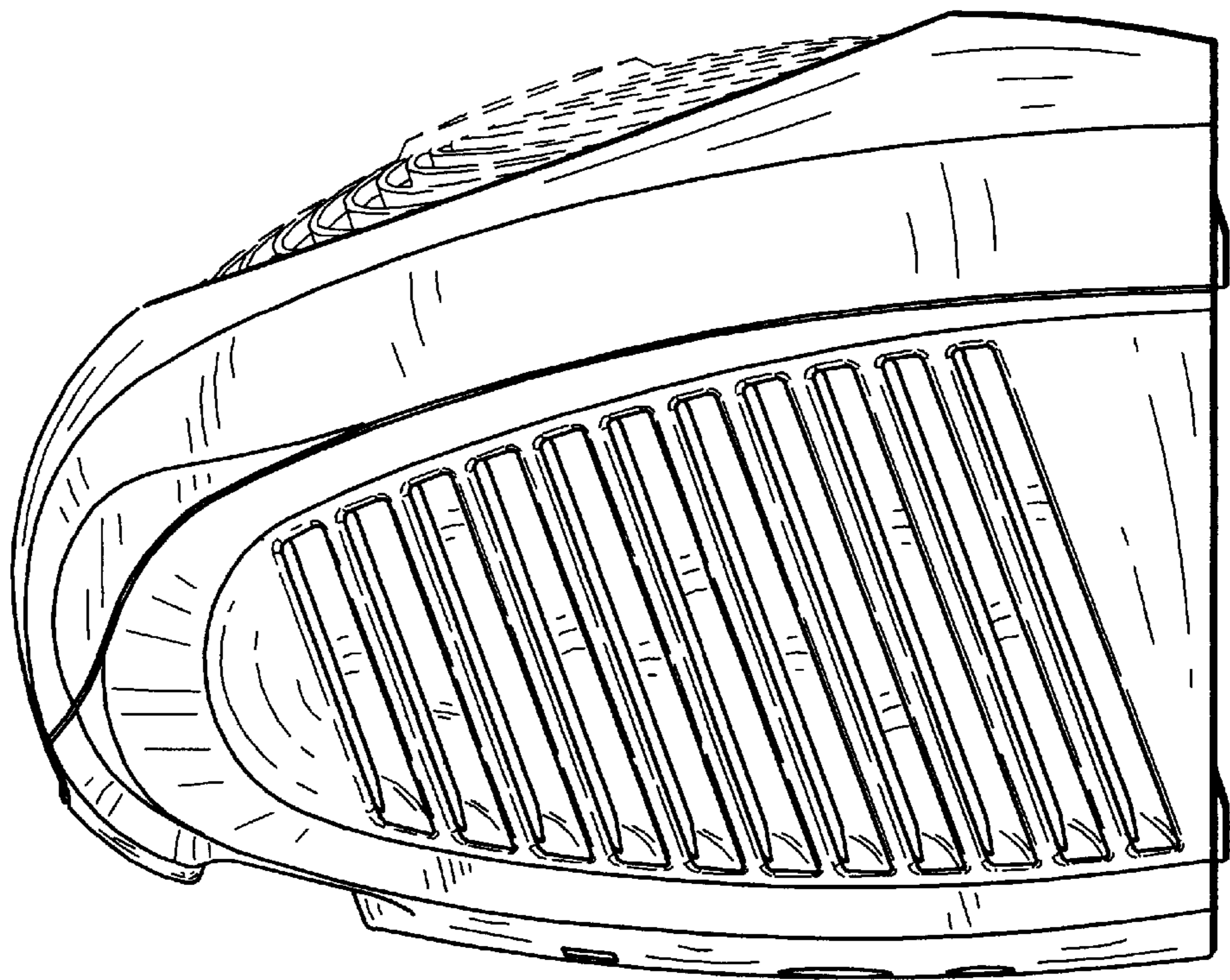


Fig. 3.

Fig. 5.



UNITED STATES PATENT AND TRADEMARK OFFICE
CERTIFICATE OF CORRECTION

PATENT NO. : Des 441,065 S
DATED : April 24, 2001
INVENTOR(S) : Ediger et al.

Page 1 of 1

It is certified that error appears in the above-identified patent and that said Letters Patent is hereby corrected as shown below:

Title page,

Item [56] References Cited, Other Publications,

Line 3, delete "http://hcpretailo-" and insert -- http://hcpretail- -- therefor.

Line 5, delete "?subgoupm um=19" and insert -- subgroupnum=19 -- therefor.

In the Description,

Line 5, delete "elevaitonal" and insert -- elevational -- therefor.

Signed and Sealed this

Sixth Day of November, 2001

Attest:

Nicholas P. Godici

Attesting Officer

NICHOLAS P. GODICI
Acting Director of the United States Patent and Trademark Office