



US00D441063S

(12) **United States Design Patent**
Kawamura

(10) **Patent No.:** **US D441,063 S**

(45) **Date of Patent:** **** Apr. 24, 2001**

(54) **SINK**

D. 421,104 * 2/2000 Kawamura D23/284

* cited by examiner

(75) Inventor: **Sejiro Kawamura**, Fukuoka (JP)

Primary Examiner—Louis S. Zarfes

(73) Assignee: **Toto Ltd.**, Fukuoka (JP)

Assistant Examiner—Robert A. Delehanty

(**) Term: **14 Years**

(74) *Attorney, Agent, or Firm*—Birch, Stewart, Kolasch & Birch, LLP

(21) Appl. No.: **29/121,299**

(57) **CLAIM**

(22) Filed: **Apr. 5, 2000**

The ornamental design for a sink, as shown and described.

(51) **LOC (7) Cl.** **23-02**

DESCRIPTION

(52) **U.S. Cl.** **D23/293.1**

FIG. 1 is a perspective view of a sink showing my new design;

(58) **Field of Search** D23/270-274,
D23/284-289, 291-292, 293.1, 303, 308;
4/619, 630-632, 637-640, 643, 650, 660

FIG. 2 is a front elevational view thereof;

FIG. 3 is a rear elevational view thereof;

FIG. 4 is a top plan view thereof;

FIG. 5 is a bottom plan view thereof;

FIG. 6 is a right side elevational view thereof; and,

FIG. 7 is a left side elevational view thereof.

(56) **References Cited**

U.S. PATENT DOCUMENTS

D. 355,950 * 2/1995 Kawamura et al. D23/293.1

D. 387,418 * 12/1997 Garza D23/284

1 Claim, 3 Drawing Sheets

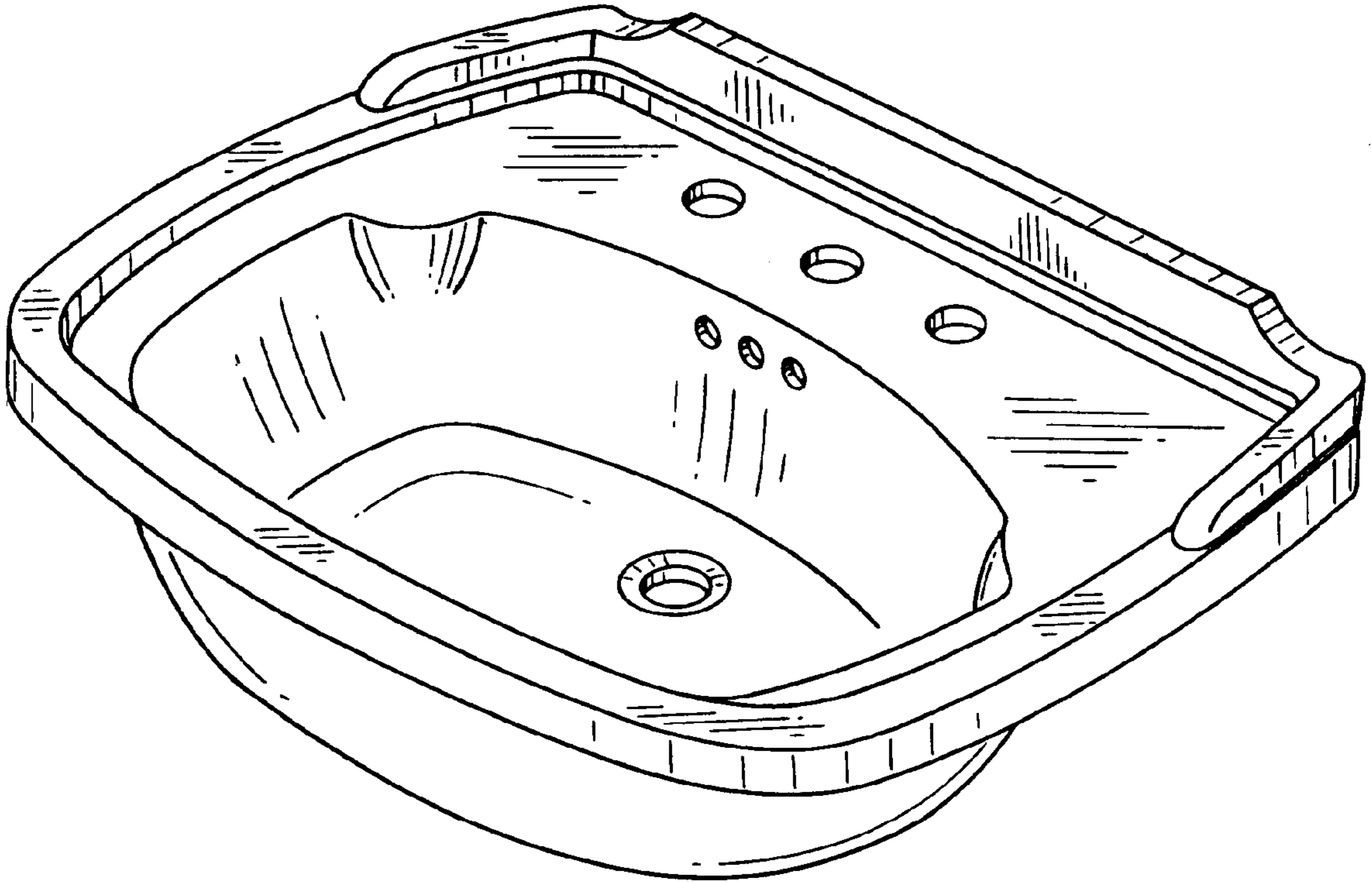


FIG. 1

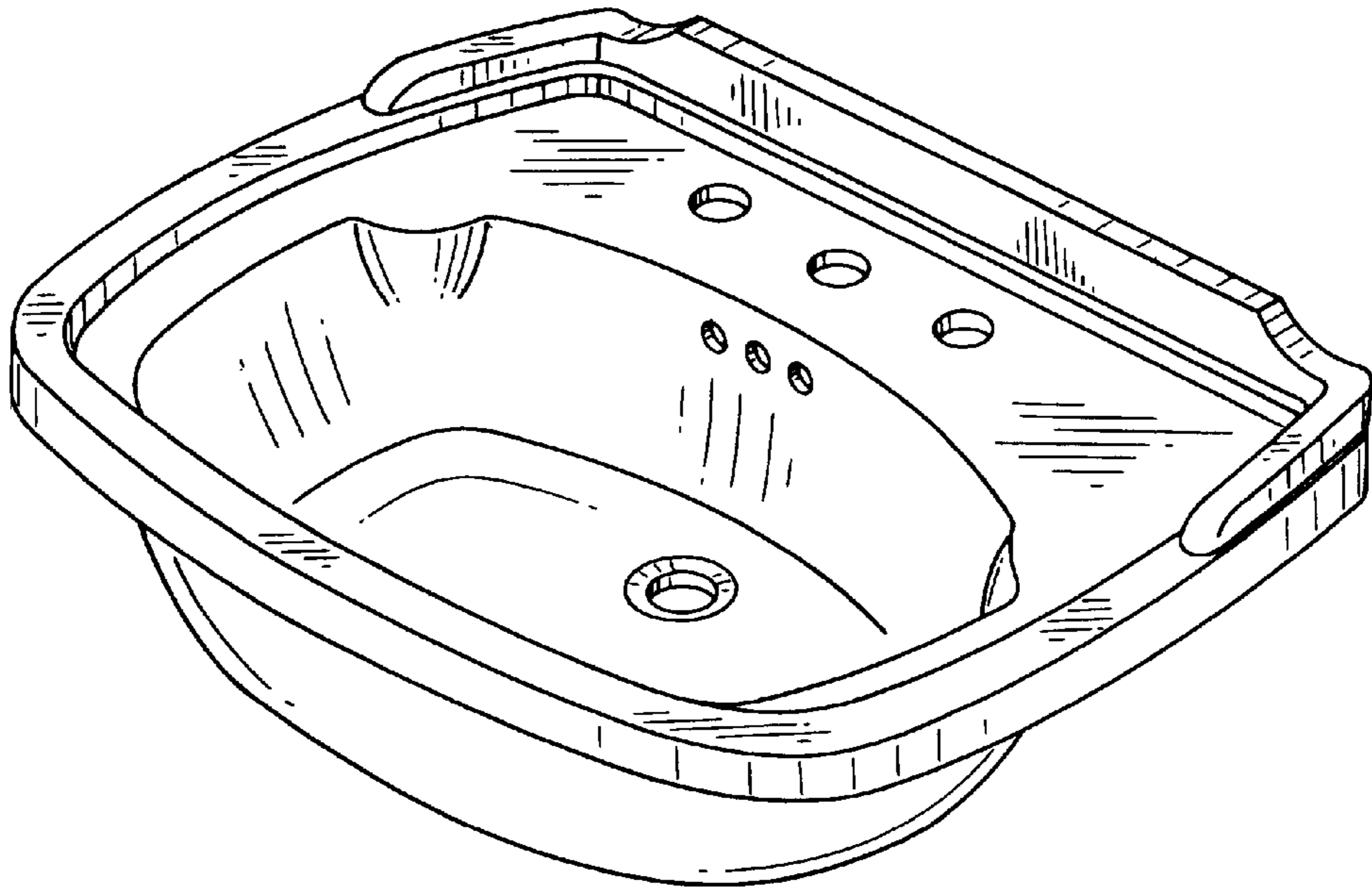


FIG. 2

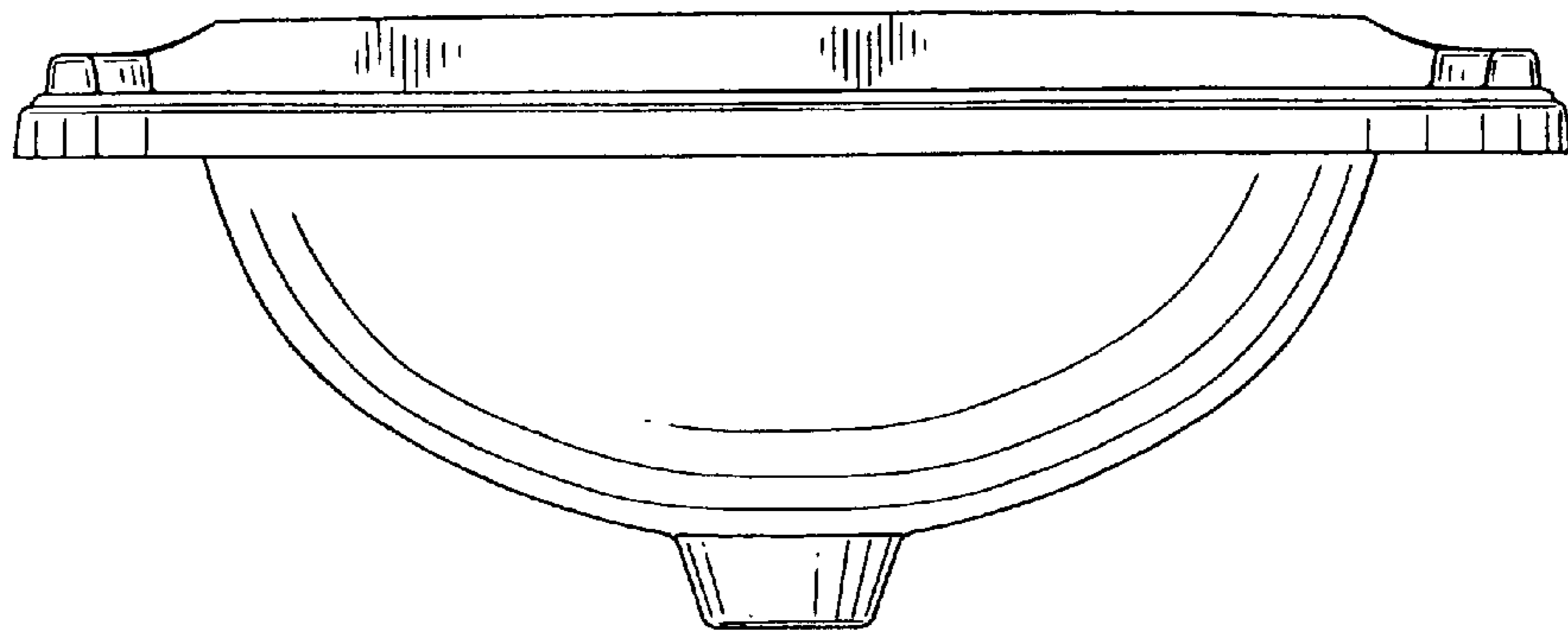


FIG. 3

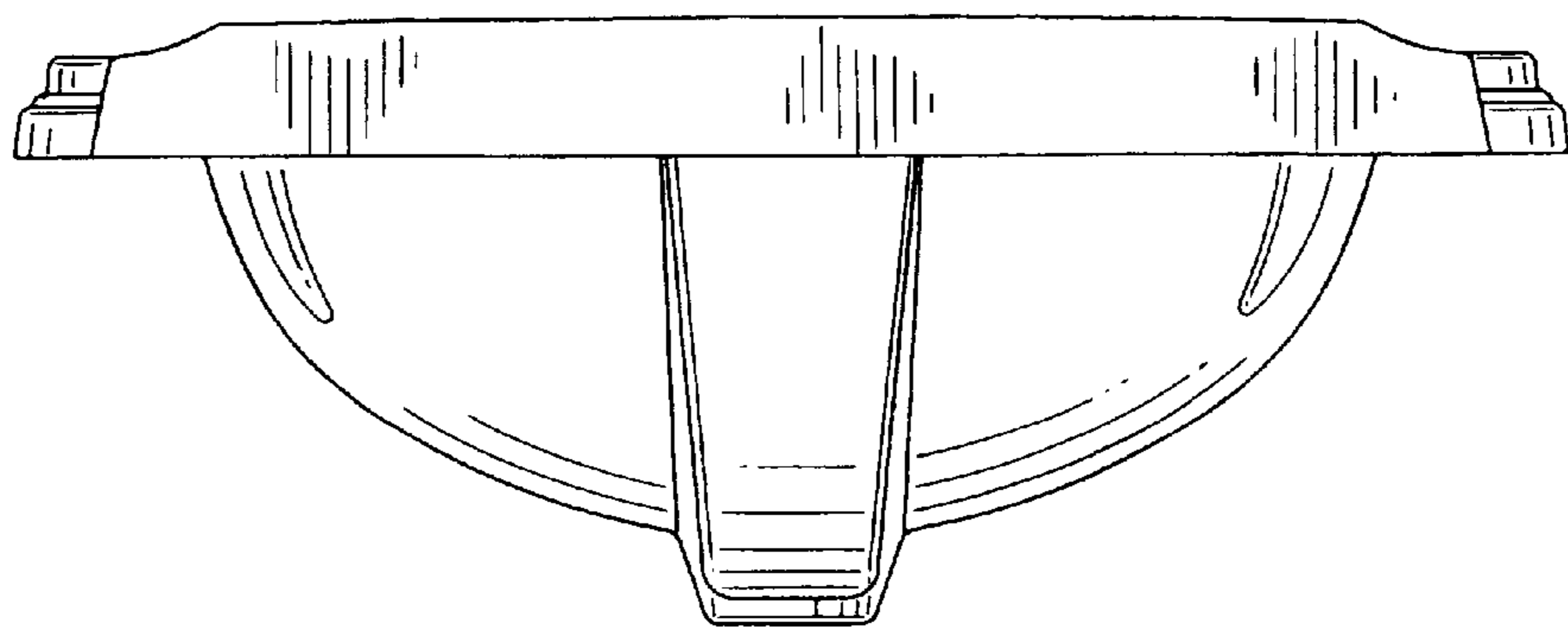


FIG. 4

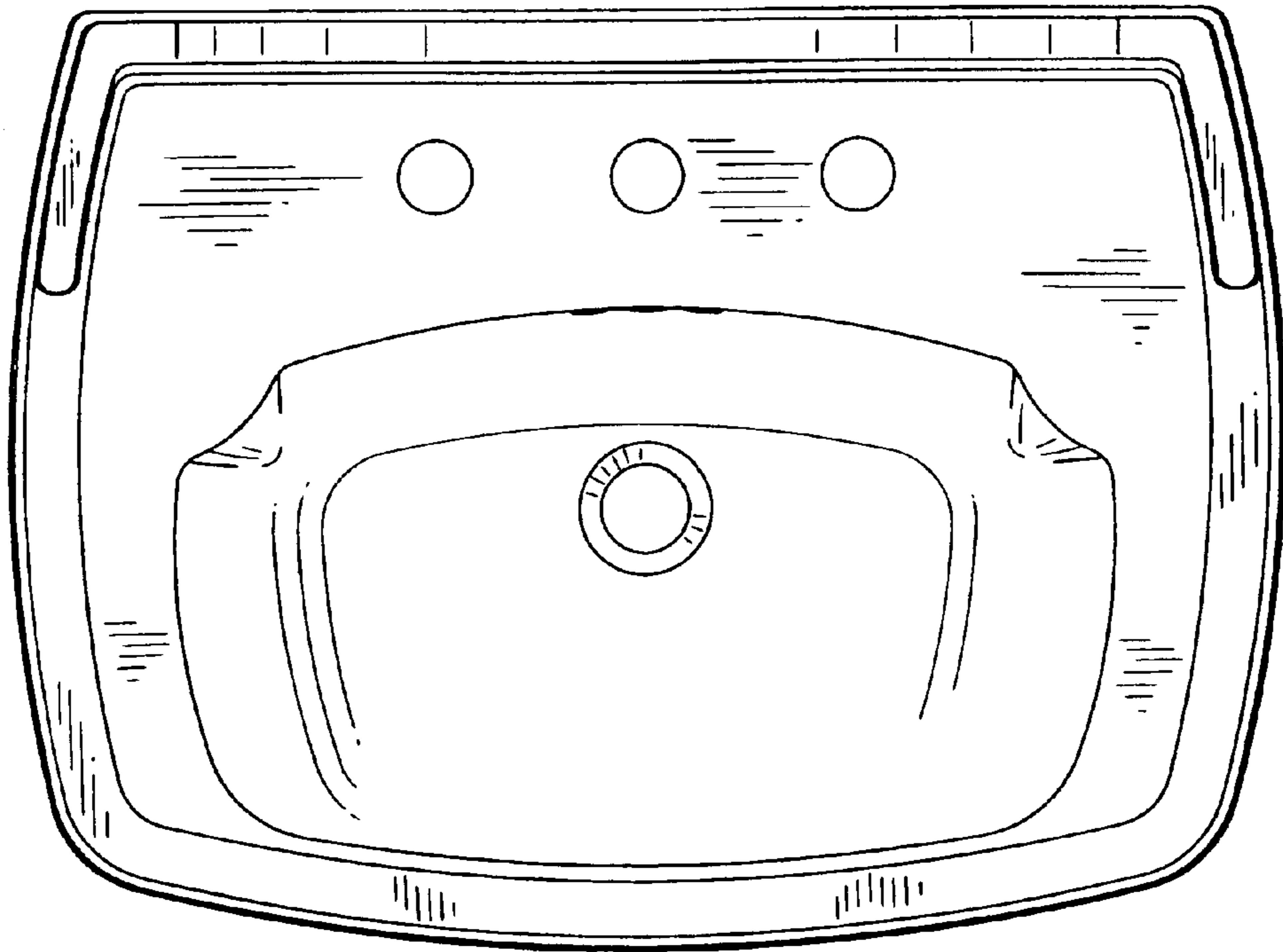


FIG. 5

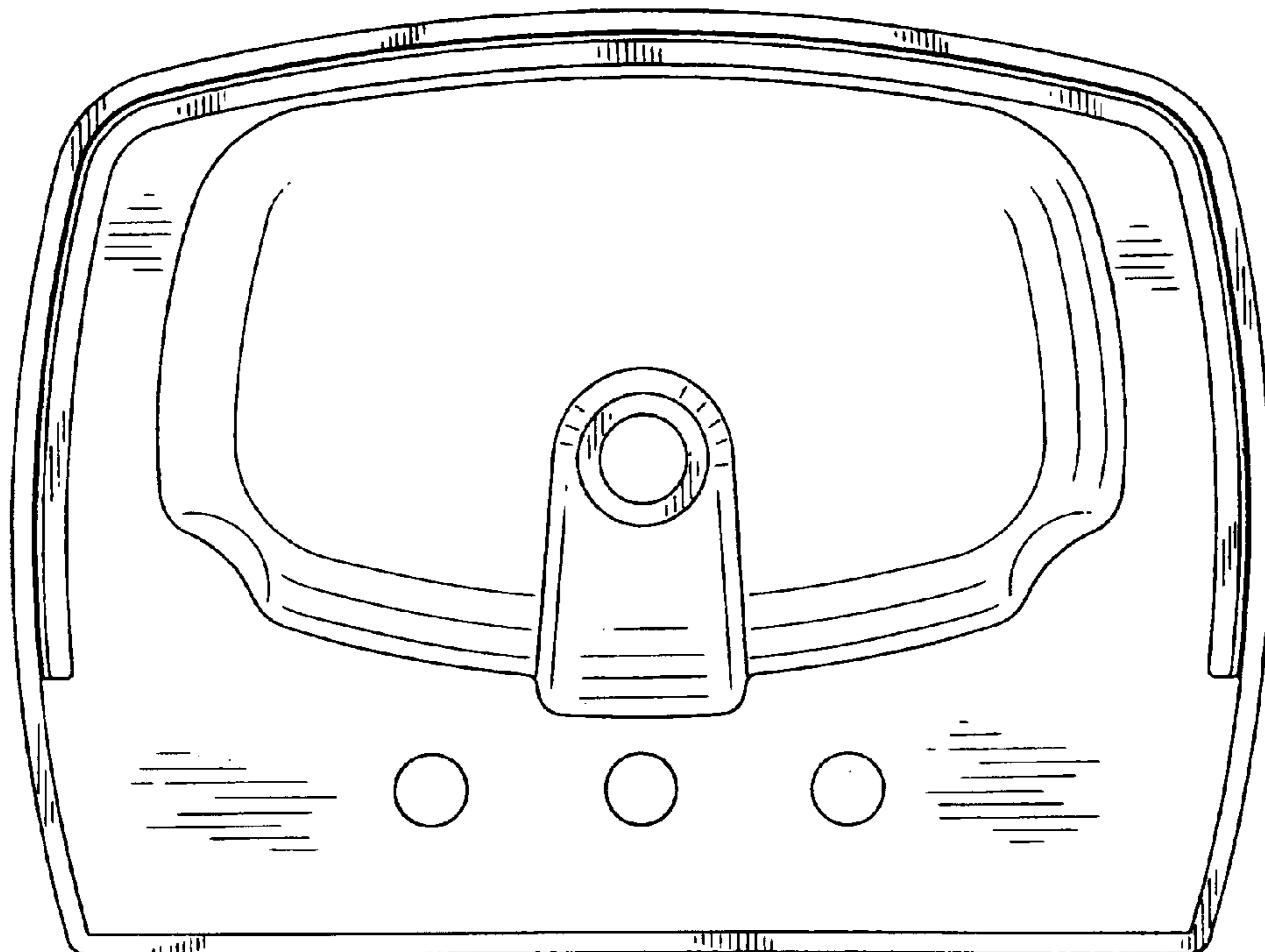


FIG. 6

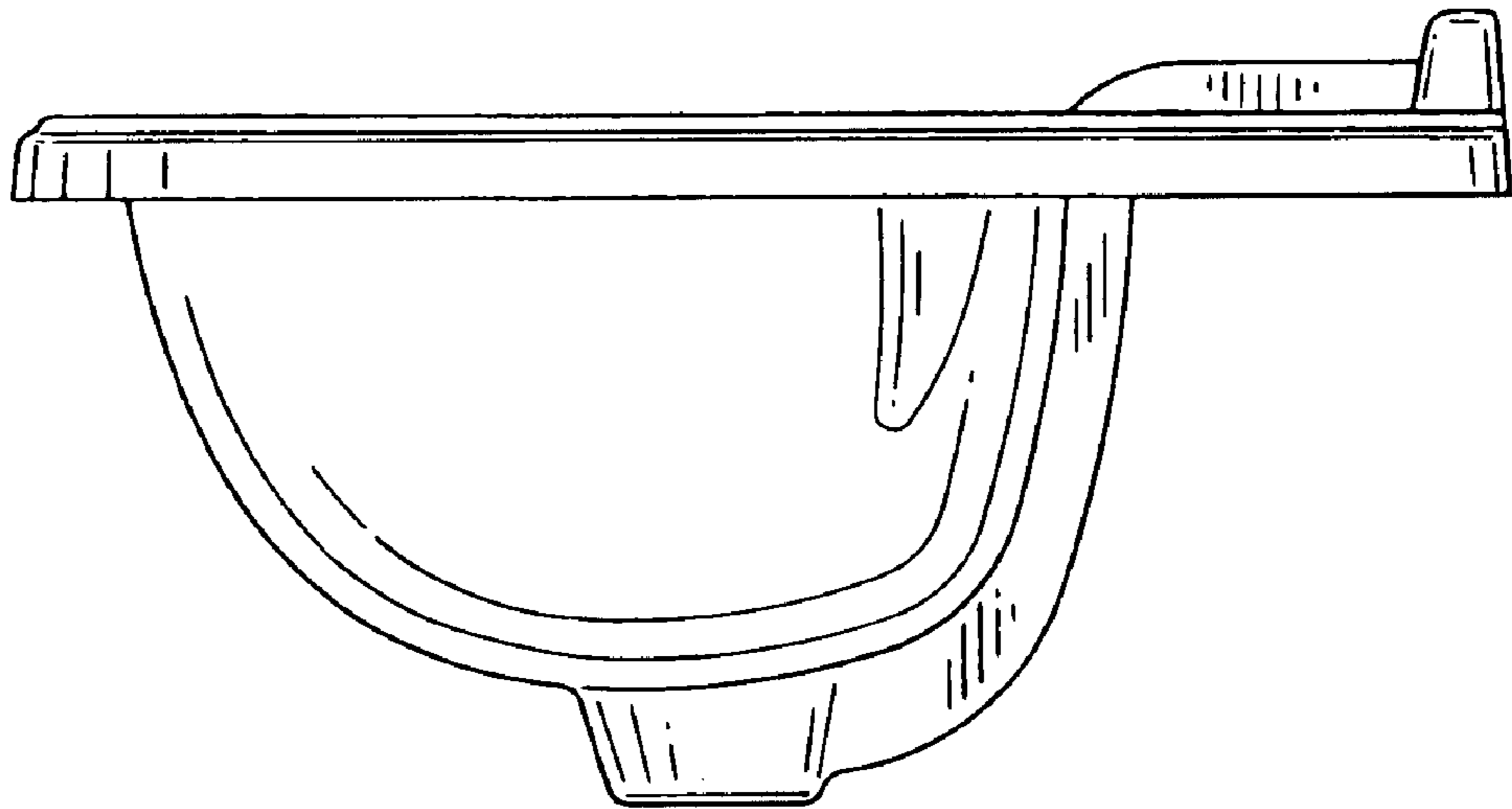


FIG. 7

