



US00D441062S

(12) **United States Design Patent**
Kawamura

(10) **Patent No.:** **US D441,062 S**

(45) **Date of Patent:** **** Apr. 24, 2001**

(54) **PEDESTAL SINK**

D. 421,104 * 2/2000 Kawamura D23/284

(75) Inventor: **Sejiro Kawamura**, Fukuoka (JP)

* cited by examiner

(73) Assignee: **Toto, Ltd.**, Fukuoka (JP)

Primary Examiner—Louis S. Zarfes

Assistant Examiner—Robert A Delehanty

(**) Term: **14 Years**

(74) *Attorney, Agent, or Firm*—Birch, Stewart, Kolasch & Birch, LLP

(21) Appl. No.: **29/121,298**

(57) **CLAIM**

(22) Filed: **Apr. 5, 2000**

The ornamental design for a pedestal sink, as shown and described.

(51) **LOC (7) Cl.** **23-02**

(52) **U.S. Cl.** **D23/292**

(58) **Field of Search** D23/270–274,
D23/284–289, 291–292, 293.1, 303, 308;
4/619, 630–632, 637–640, 643, 650, 660

DESCRIPTION

(56) **References Cited**

FIG. 1 is a perspective view of a pedestal sink showing my new design;
FIG. 2 is a front elevational view thereof;
FIG. 3 is a rear elevational view thereof;
FIG. 4 is a top plan view thereof;
FIG. 5 is a bottom plan view thereof;
FIG. 6 is a right side elevational view thereof; and,
FIG. 7 is a left side elevational view thereof.

U.S. PATENT DOCUMENTS

- D. 266,577 * 10/1982 Kaiser D23/292
- D. 320,068 * 9/1991 Waldren D23/292
- D. 355,950 * 2/1995 Kawamura et al. D23/293.1
- D. 368,768 * 4/1996 Kaiser D23/292
- D. 387,418 * 12/1997 Garza D23/284

1 Claim, 6 Drawing Sheets

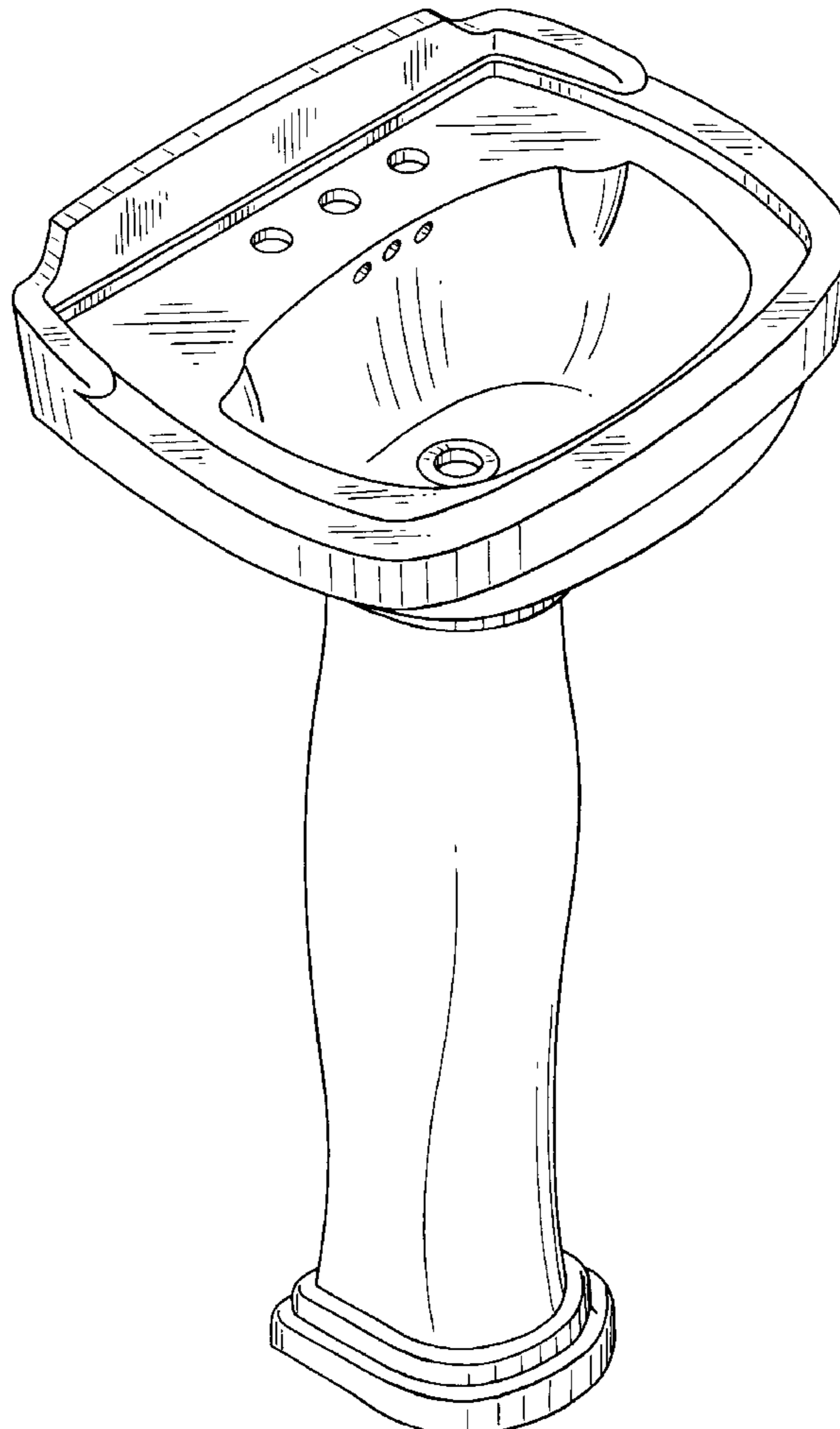


FIG. 1

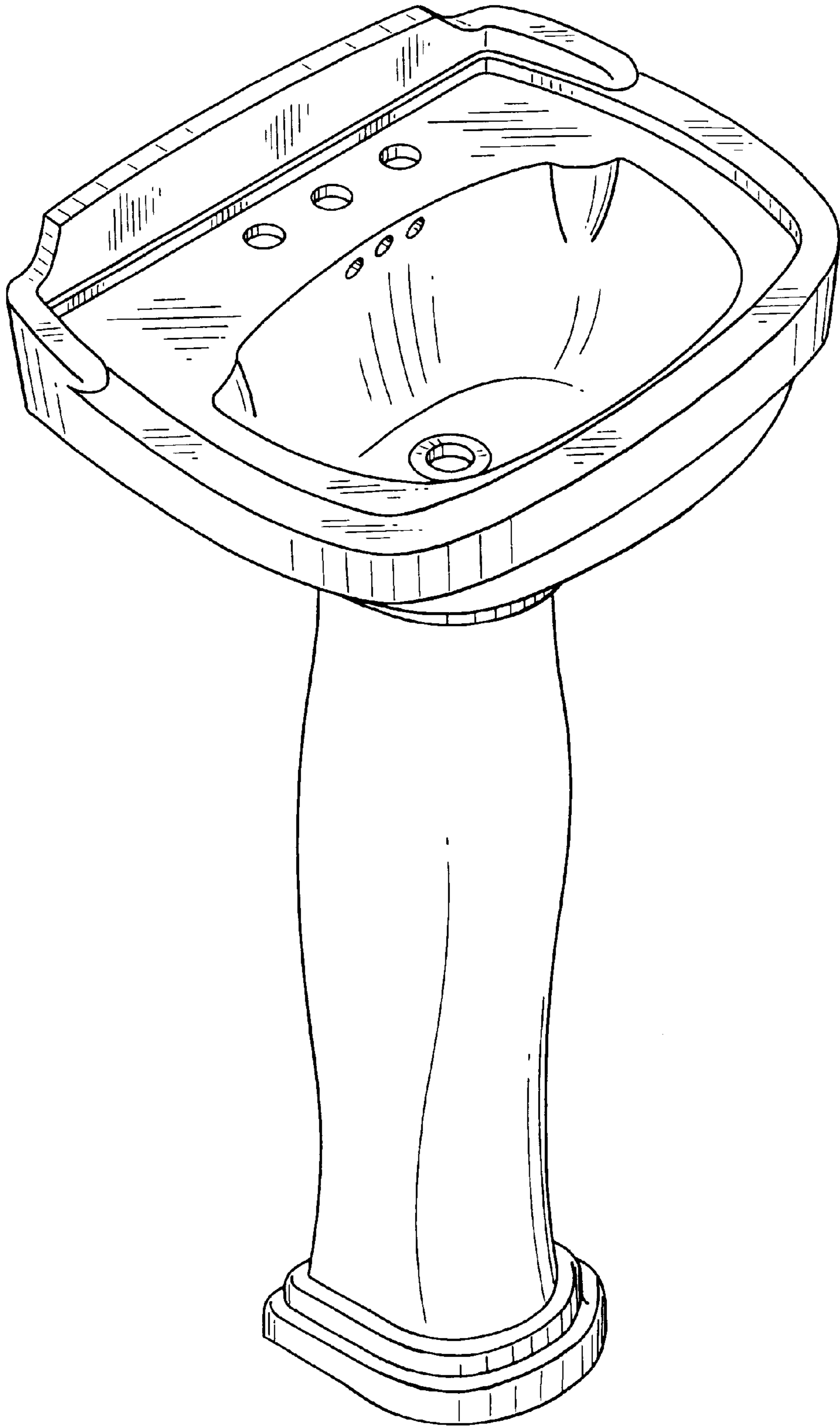


FIG. 2

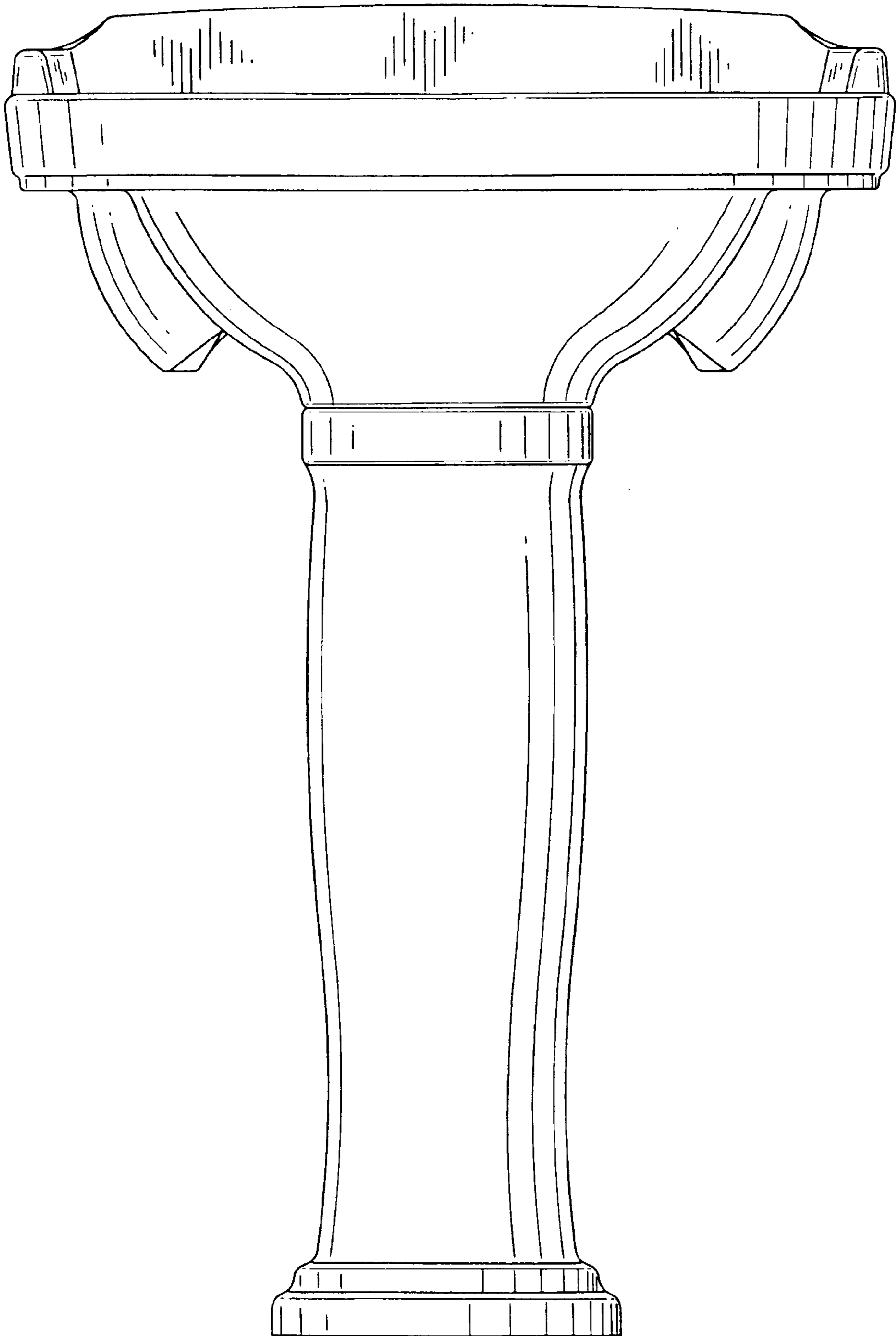


FIG. 3

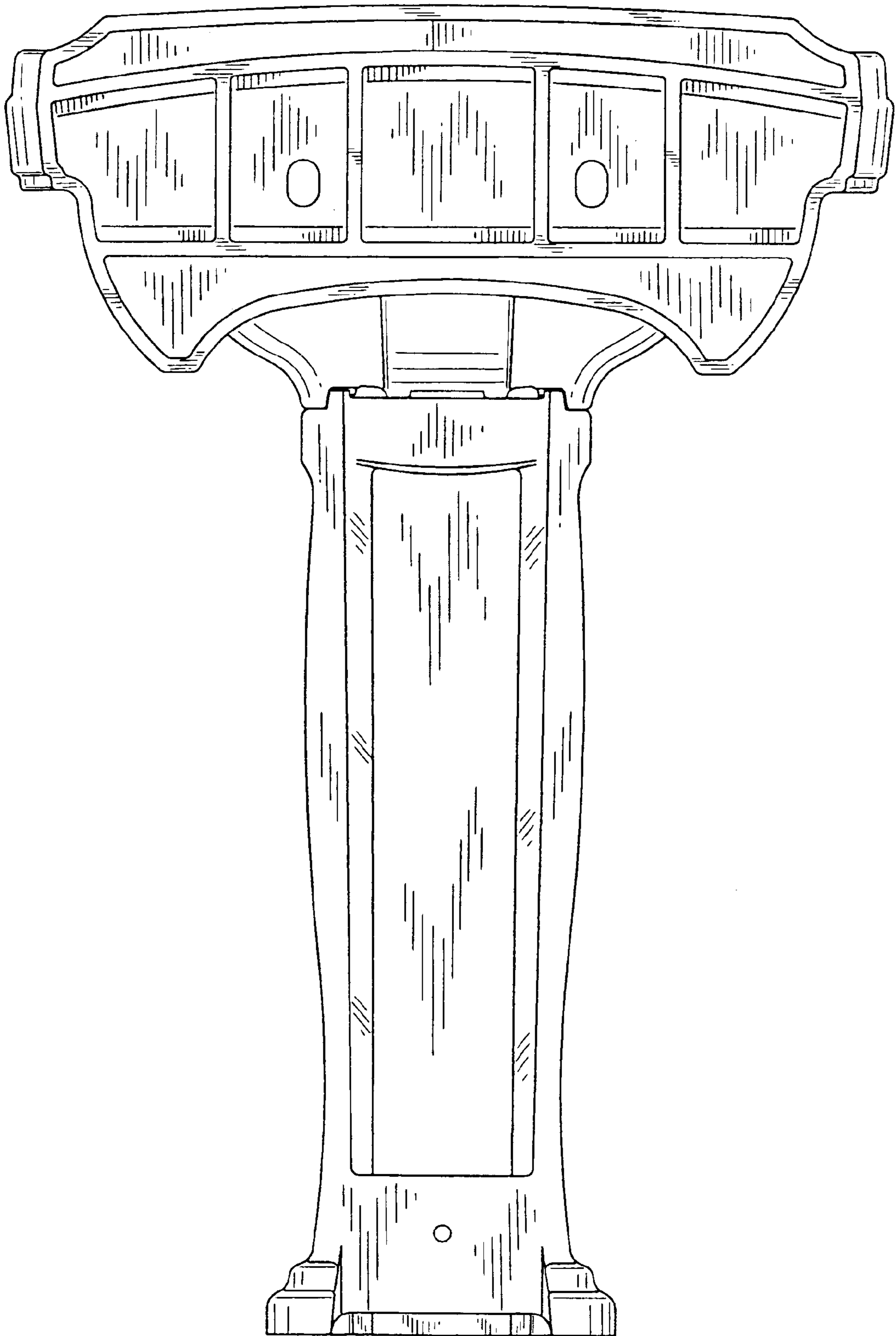


FIG. 4

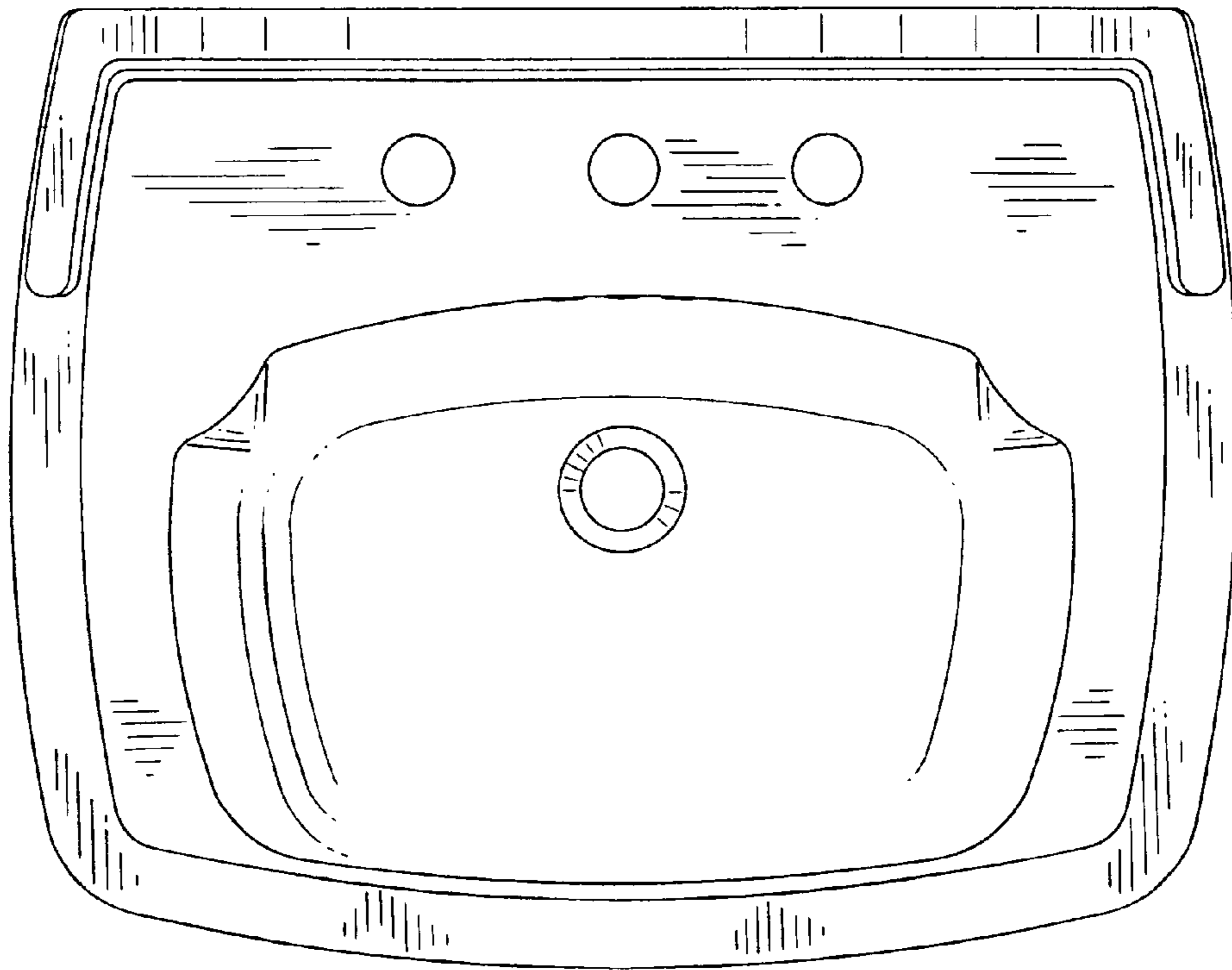


FIG. 5

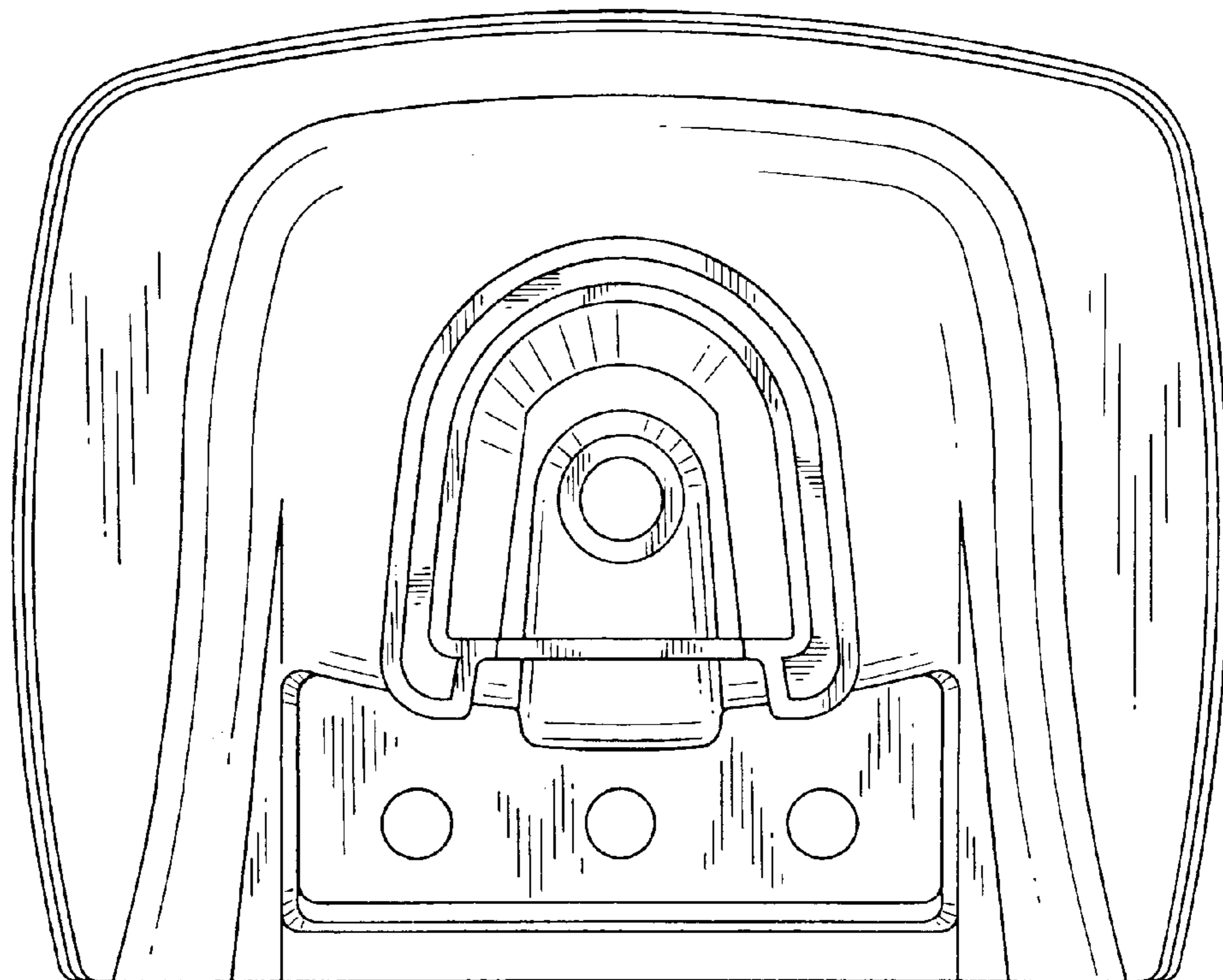


FIG. 6

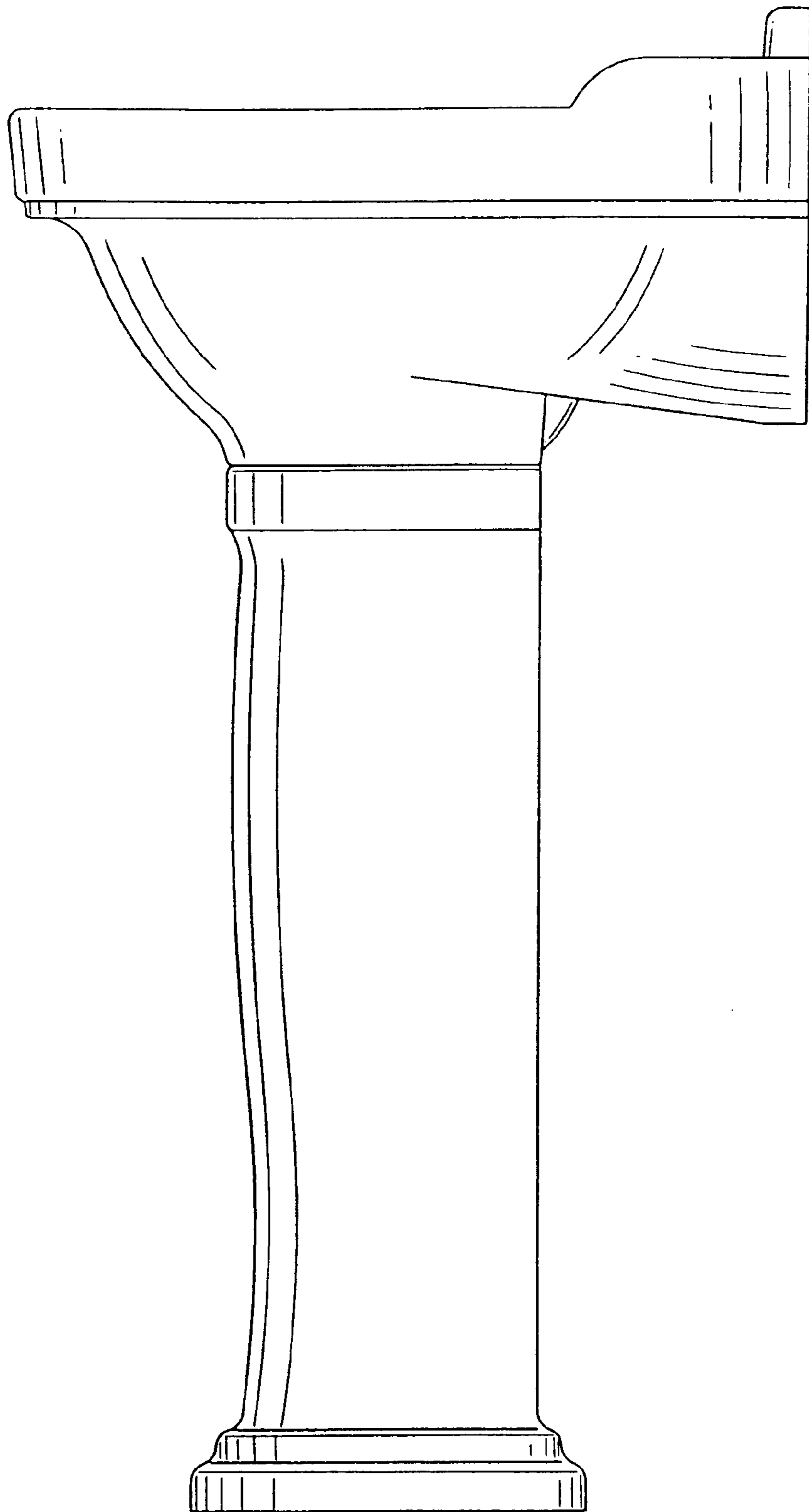


FIG. 7

