



US00D441059S

(12) **United States Design Patent**
Fleischmann

(10) **Patent No.:** **US D441,059 S**

(45) **Date of Patent:** **** Apr. 24, 2001**

(54) **SANITARY FAUCET COMPONENT**

(75) **Inventor:** **Klaus Fleischmann, Krefeld (DE)**

(73) **Assignee:** **Hansa Metallwerke AG (DE)**

(**) **Term:** **14 Years**

(21) **Appl. No.:** **29/128,662**

(22) **Filed:** **Aug. 29, 2000**

(30) **Foreign Application Priority Data**

Mar. 2, 2000 (DE) 4 00 02 468

(51) **LOC (7) Cl.** **23-01**

(52) **U.S. Cl.** **D23/254**

(58) **Field of Search** D23/238-242,
D23/249-257; D8/300, 310, 350, 352; 16/121

(56) **References Cited**

U.S. PATENT DOCUMENTS

D. 254,265 * 2/1980 Karamian D23/238

D. 331,099 * 11/1992 Gottwald D23/254

D. 363,765 * 10/1995 Starck D23/254

D. 417,260 * 11/1999 Mullenmeister D23/254

* cited by examiner

Primary Examiner—Louis S. Zarfes

Assistant Examiner—Gregory Andoll

(74) *Attorney, Agent, or Firm*—Factor & Partners, LLC

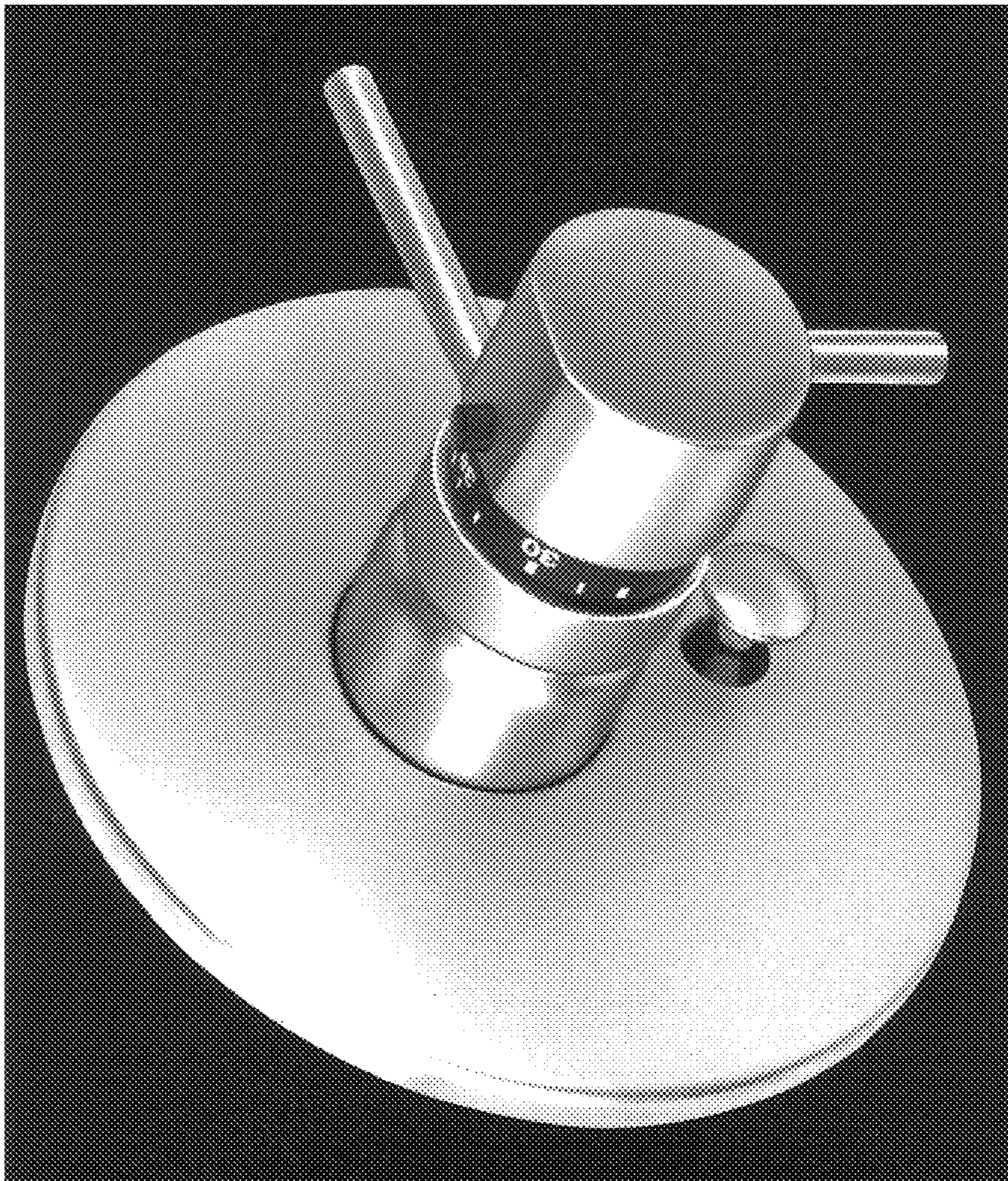
(57) **CLAIM**

The ornamental design for sanitary faucet component, as shown.

DESCRIPTION

FIG. 1 is a perspective view of the sanitary faucet component, showing a new ornamental design thereof; FIG. 2 is a left side elevational view thereof; FIG. 3 is a right side elevational view thereof; FIG. 4 is a front elevational view thereof; FIG. 5 is a back elevational view thereof; FIG. 6 is a top plan view thereof; and, FIG. 7 is a bottom plan view thereof.

1 Claim, 7 Drawing Sheets



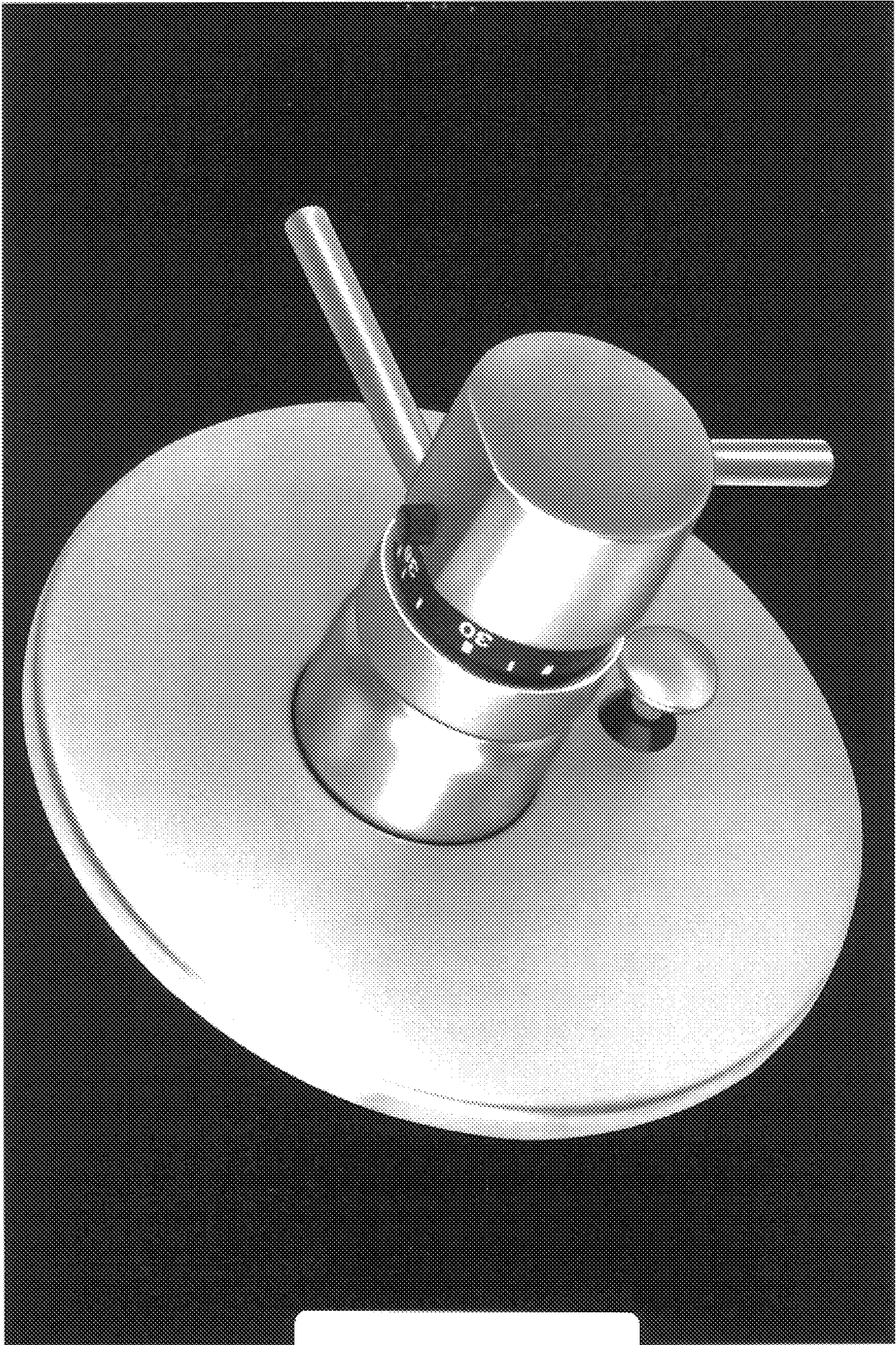


FIG. 1



FIG. 2



FIG. 3

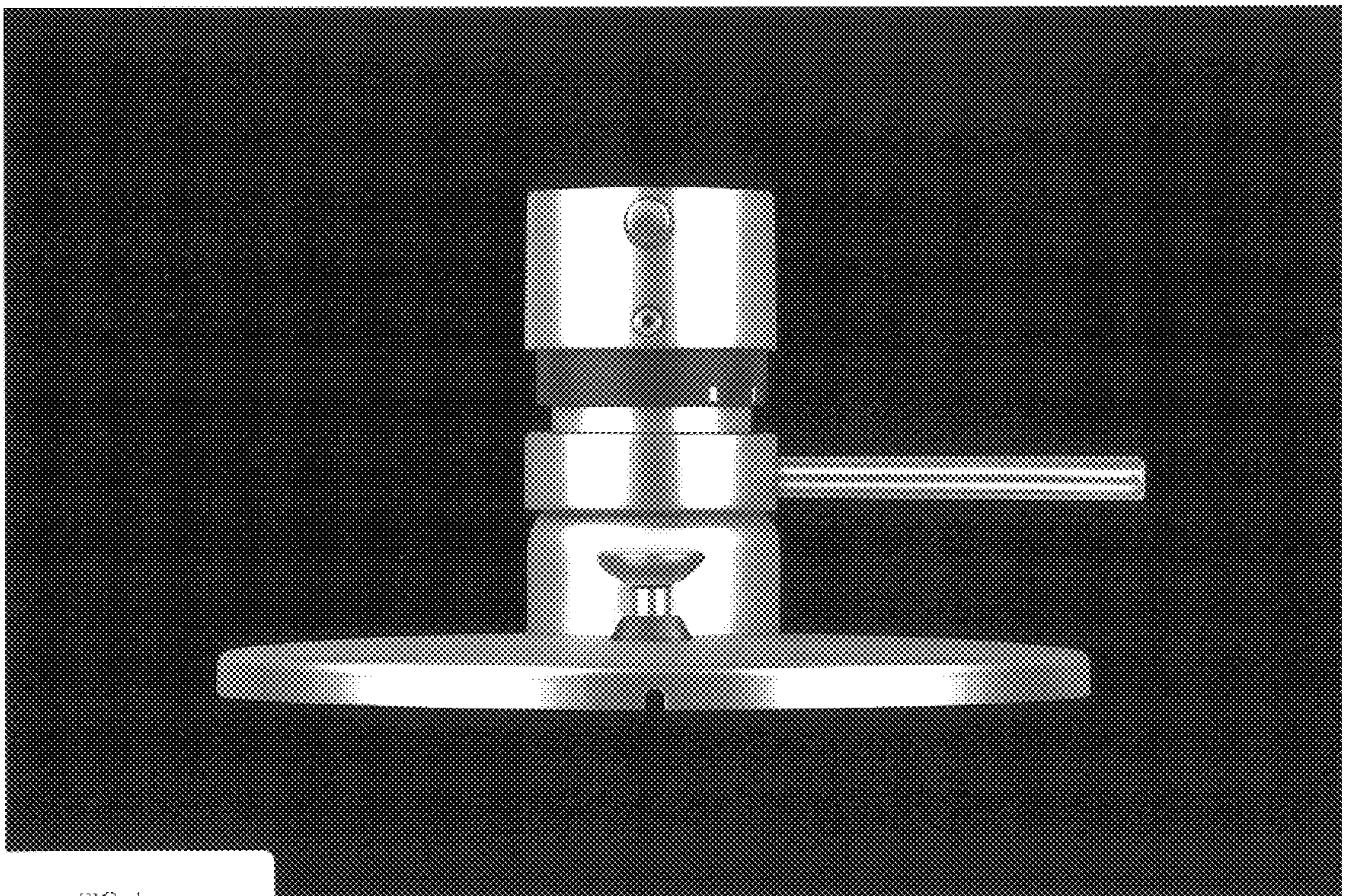


FIG. 4

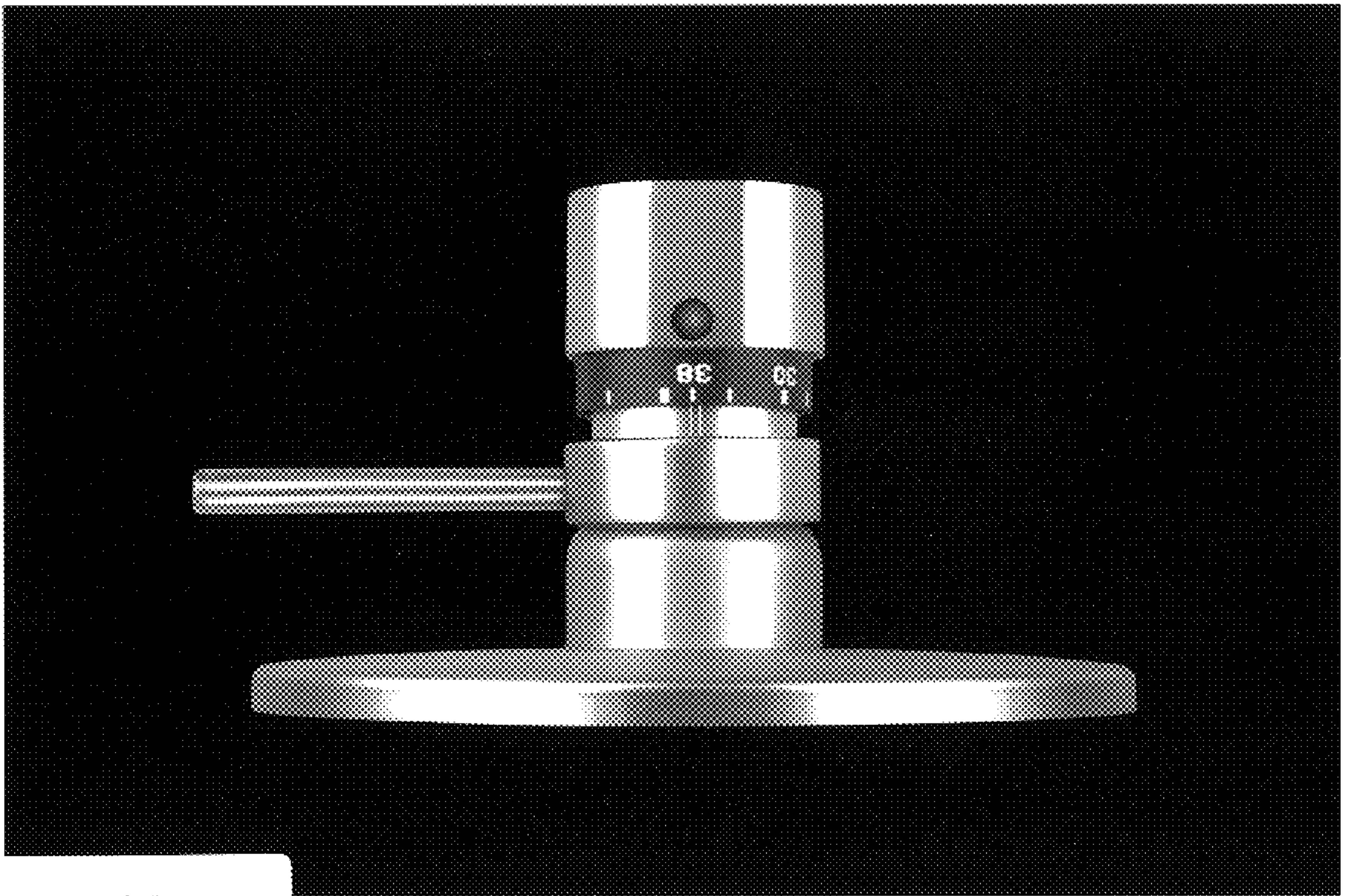


FIG. 5

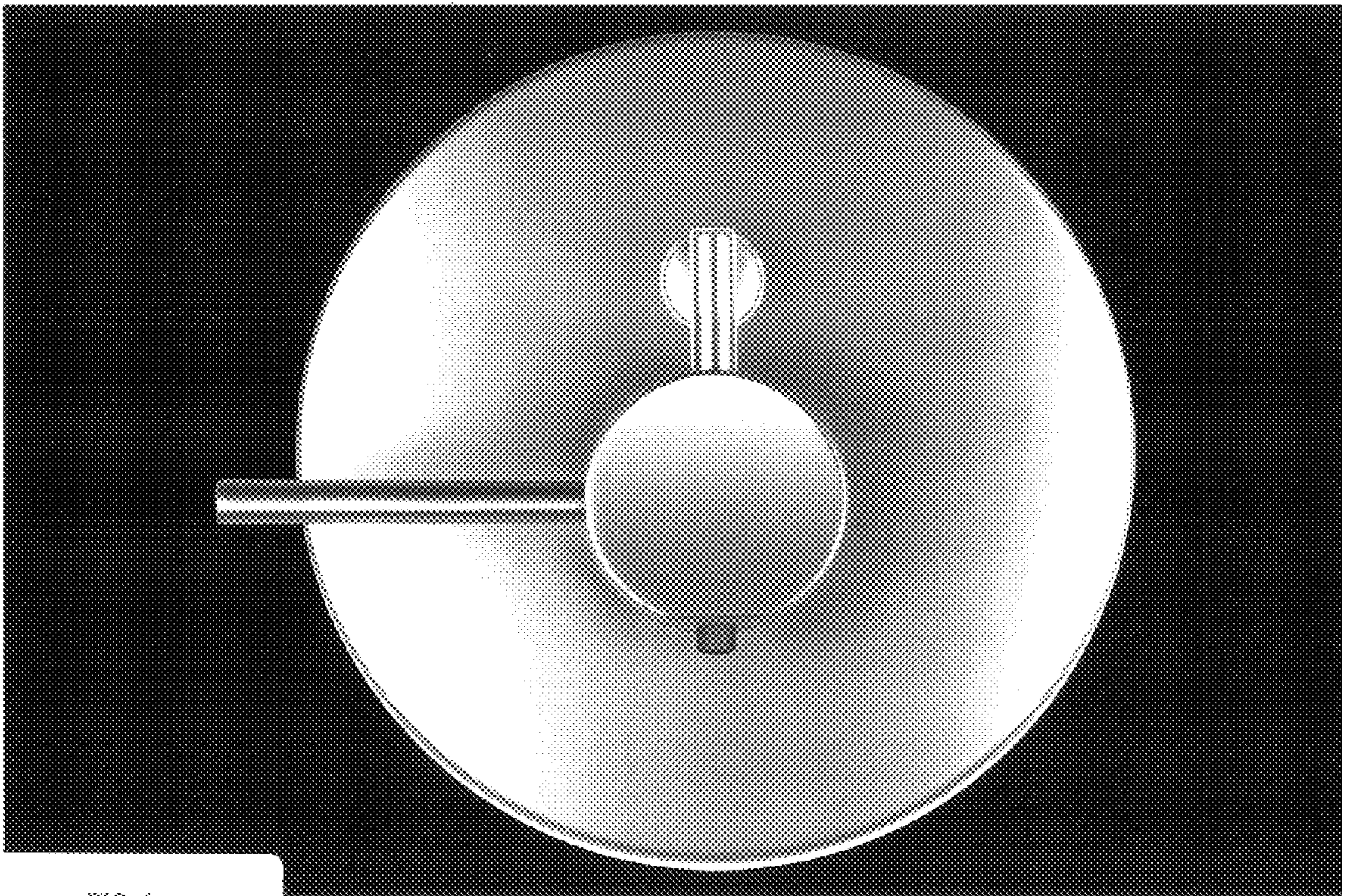


FIG. 6

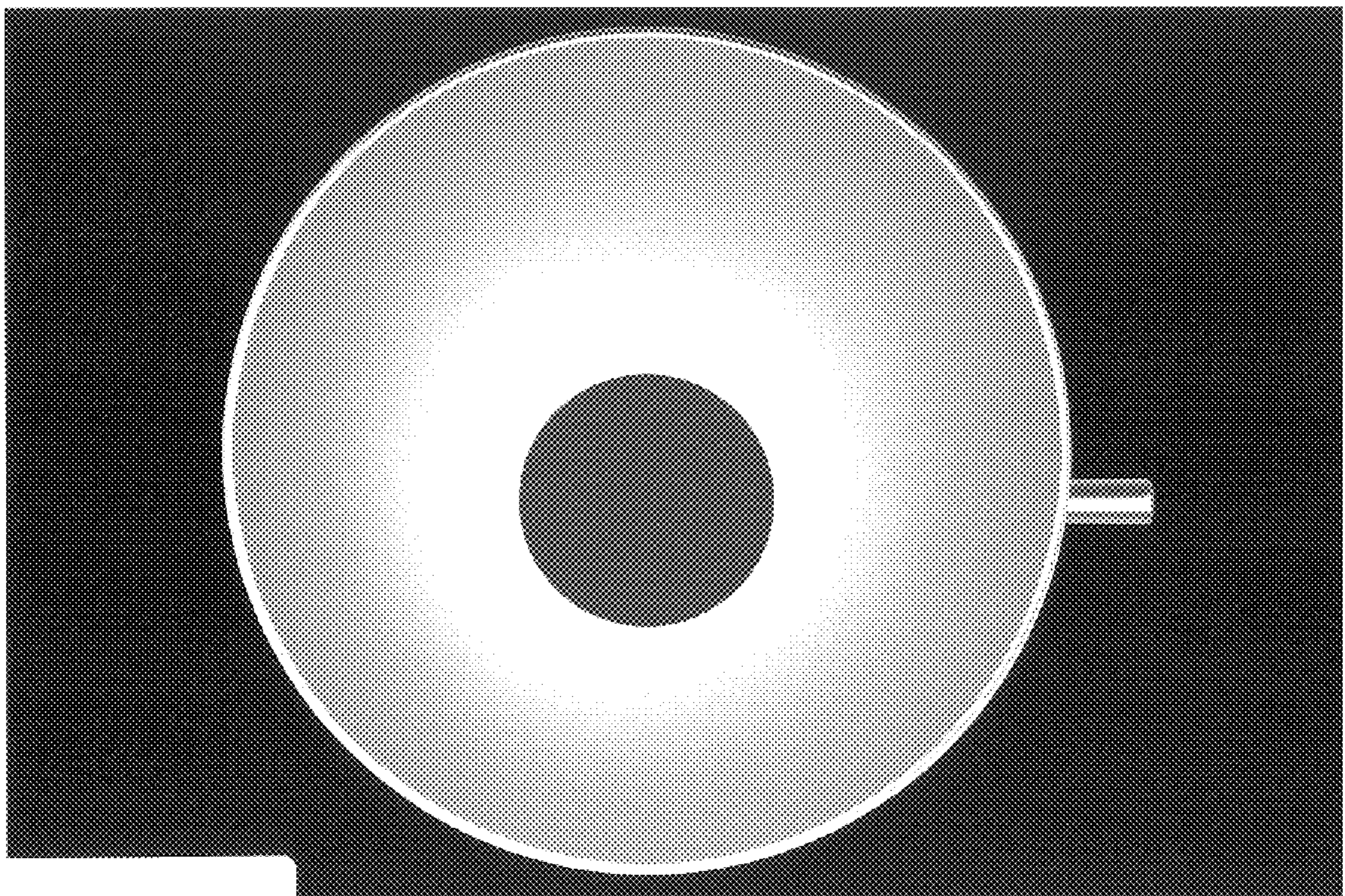


FIG. 7