



US00D441055S

(12) **United States Design Patent**
Fleischmann

(10) **Patent No.:** **US D441,055 S**

(45) **Date of Patent:** **** Apr. 24, 2001**

(54) **FAUCET VALVE HANDLE**

(75) **Inventor:** **Klaus Fleischmann, Krefeld (DE)**

(73) **Assignee:** **Hansa Metallwerke AG (DE)**

(**) **Term:** **14 Years**

(21) **Appl. No.:** **29/100,010**

(22) **Filed:** **Feb. 2, 1999**

(30) **Foreign Application Priority Data**

Aug. 3, 1998 (DE) 498 07 282

(51) **LOC (7) Cl.** **23-01**

(52) **U.S. Cl.** **D23/250**

(58) **Field of Search** D23/250-257,
D23/238-243; D8/300-310; 4/675-678;
16/112-121

(56) **References Cited**

U.S. PATENT DOCUMENTS

- D. 310,709 * 9/1990 Jans D23/250
- D. 316,293 * 4/1991 Ragonot D23/250
- D. 316,746 * 5/1991 Ragonot D23/250
- D. 319,771 * 9/1991 Reid et al. D8/312
- D. 324,807 * 3/1992 Reid et al. D8/310
- D. 326,899 * 6/1992 Haug et al. D23/250
- D. 332,823 * 1/1993 Bonnell D23/250
- D. 333,509 * 2/1993 Haug et al. D23/250

- D. 336,947 * 6/1993 Gottwald D23/250
- D. 378,775 * 4/1997 Kergoet D23/250

* cited by examiner

Primary Examiner—Eric Watterson

(57) **CLAIM**

I claim the ornamental design for a faucet valve handle, as shown.

DESCRIPTION

FIG. 1 is a left side elevation of a first embodiment of a faucet valve handle showing my new design, which is a mirror image of a right side elevation.

FIG. 2 is a front view thereof.

FIG. 3 is a rear view thereof.

FIG. 4 is a top view thereof.

FIG. 5 is a bottom view thereof.

FIG. 6 is a perspective view thereof.

FIG. 7 is a left side elevation of a second embodiment of a faucet valve handle showing my new design, which is a mirror image of a right side elevation.

FIG. 8 is a front view thereof.

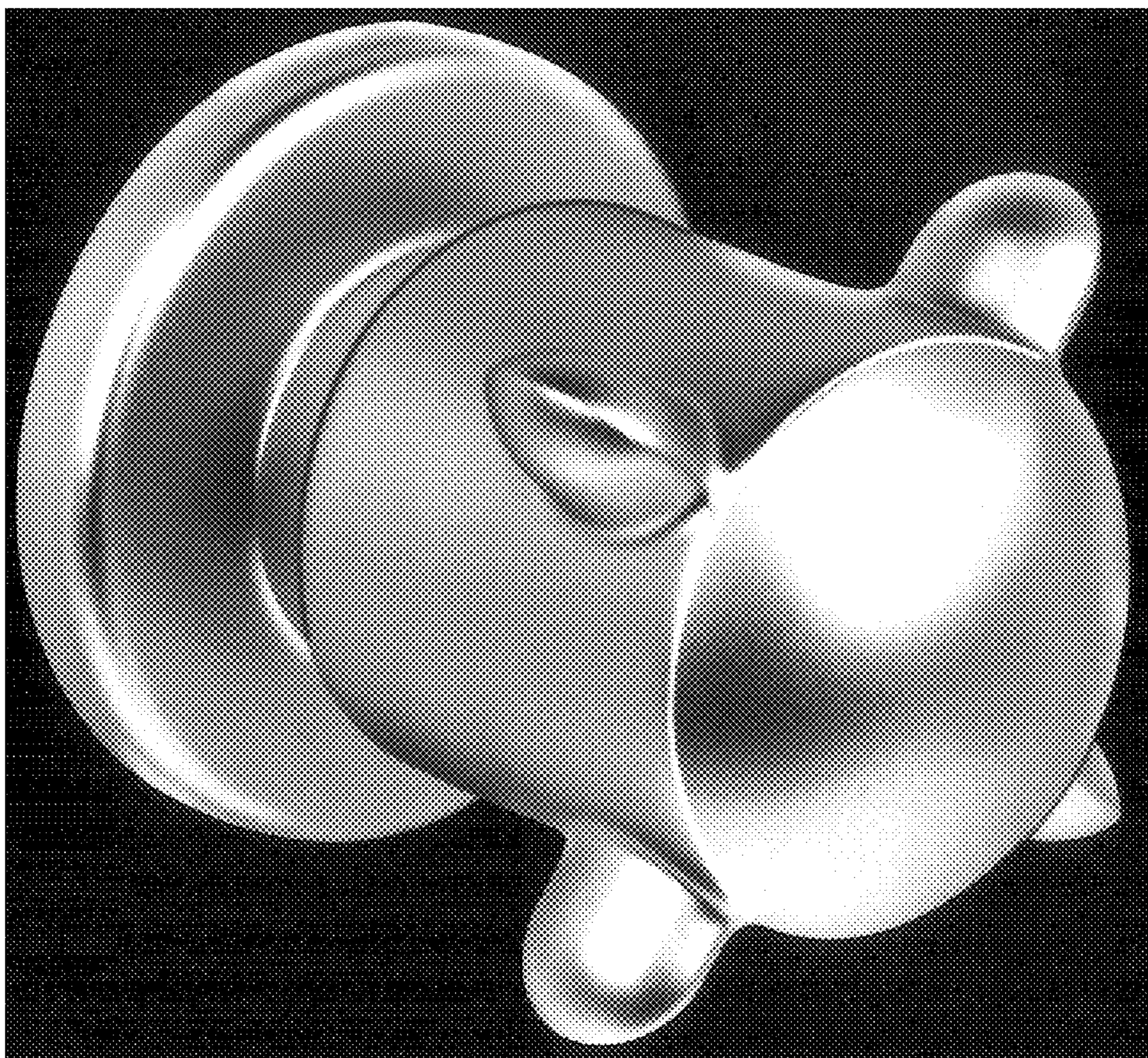
FIG. 9 is a rear view thereof.

FIG. 10 is a top view thereof.

FIG. 11 is a bottom view thereof; and,

FIG. 12 is a perspective view thereof.

1 Claim, 12 Drawing Sheets



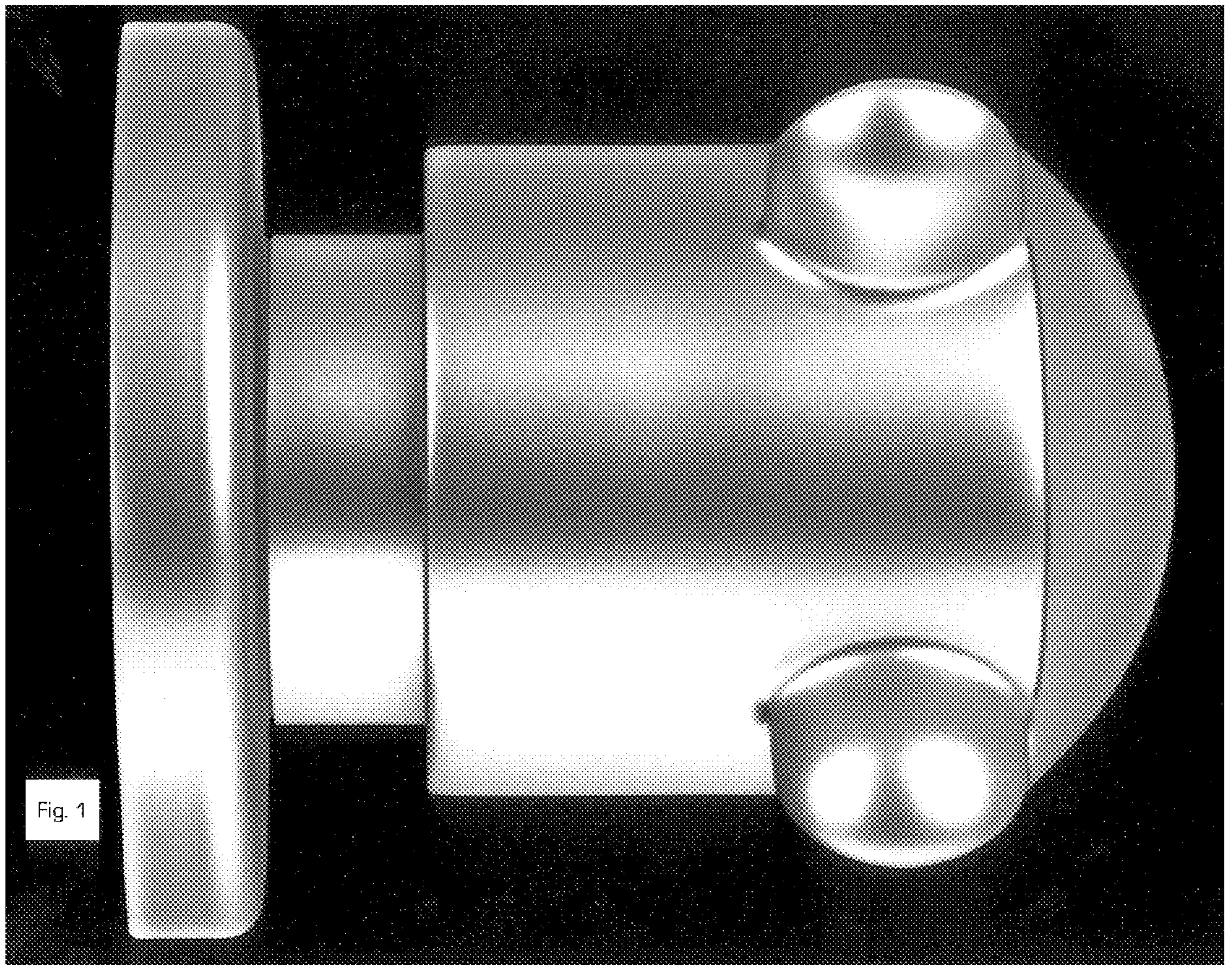


Fig. 1

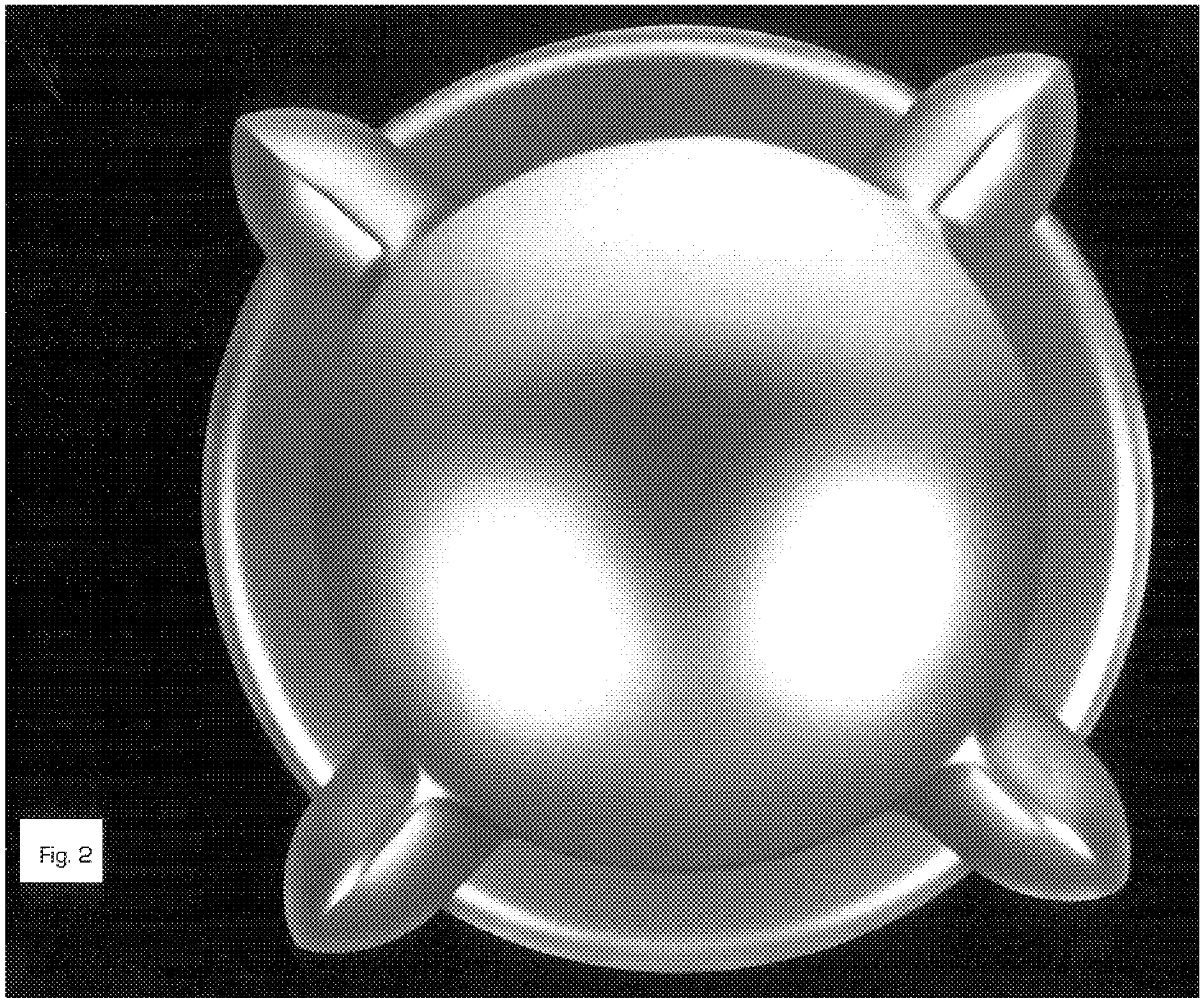


Fig. 2

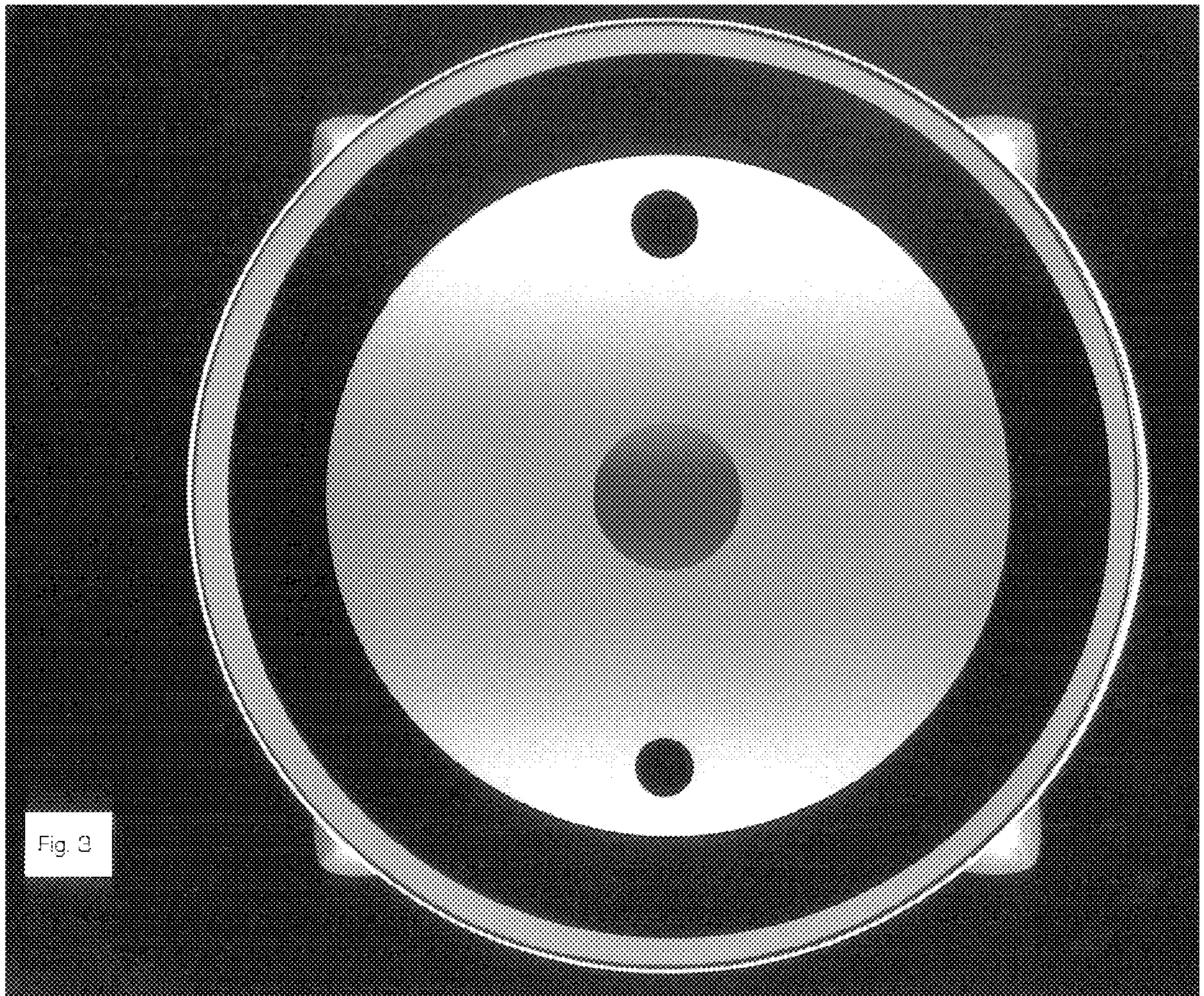
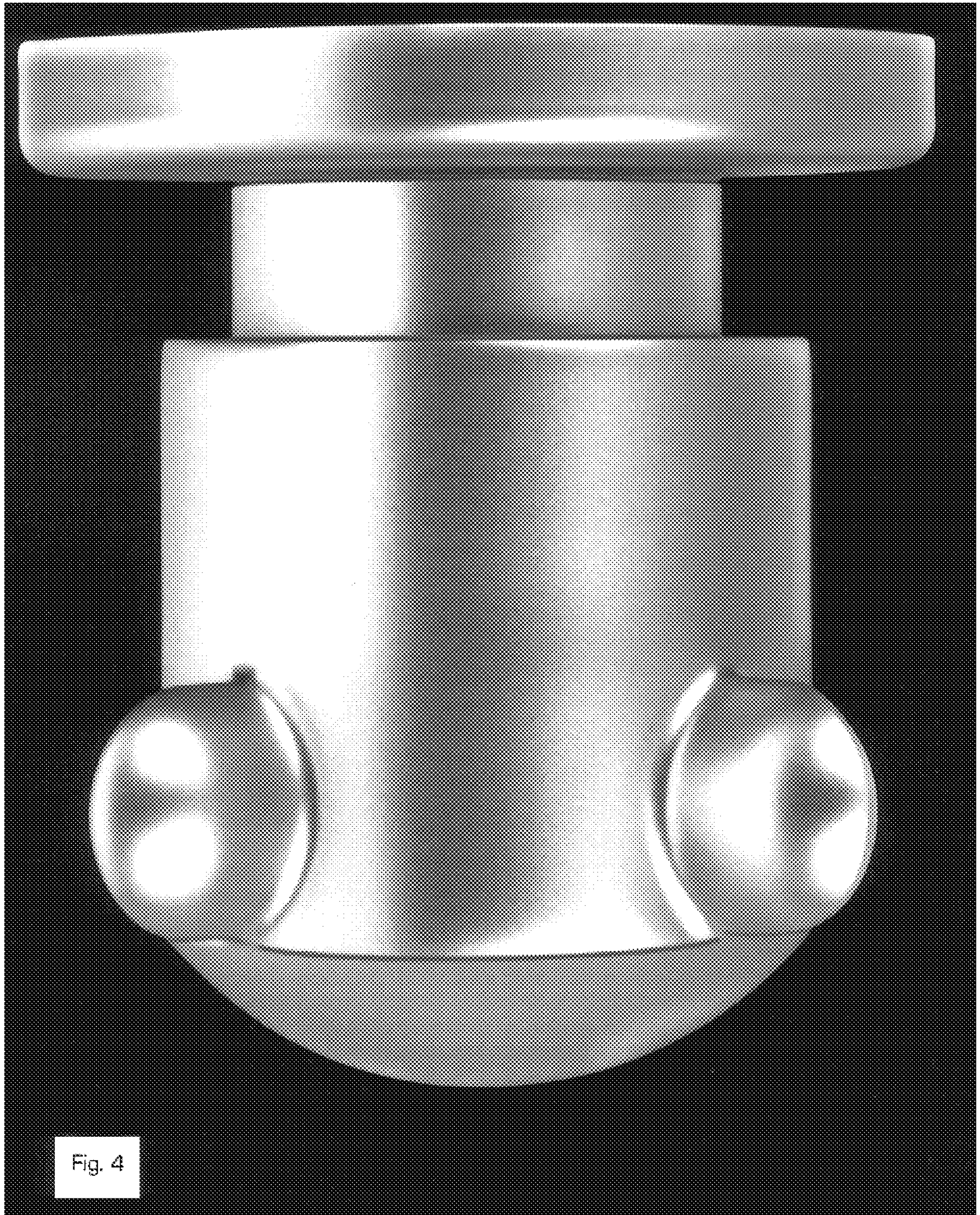


Fig. 3



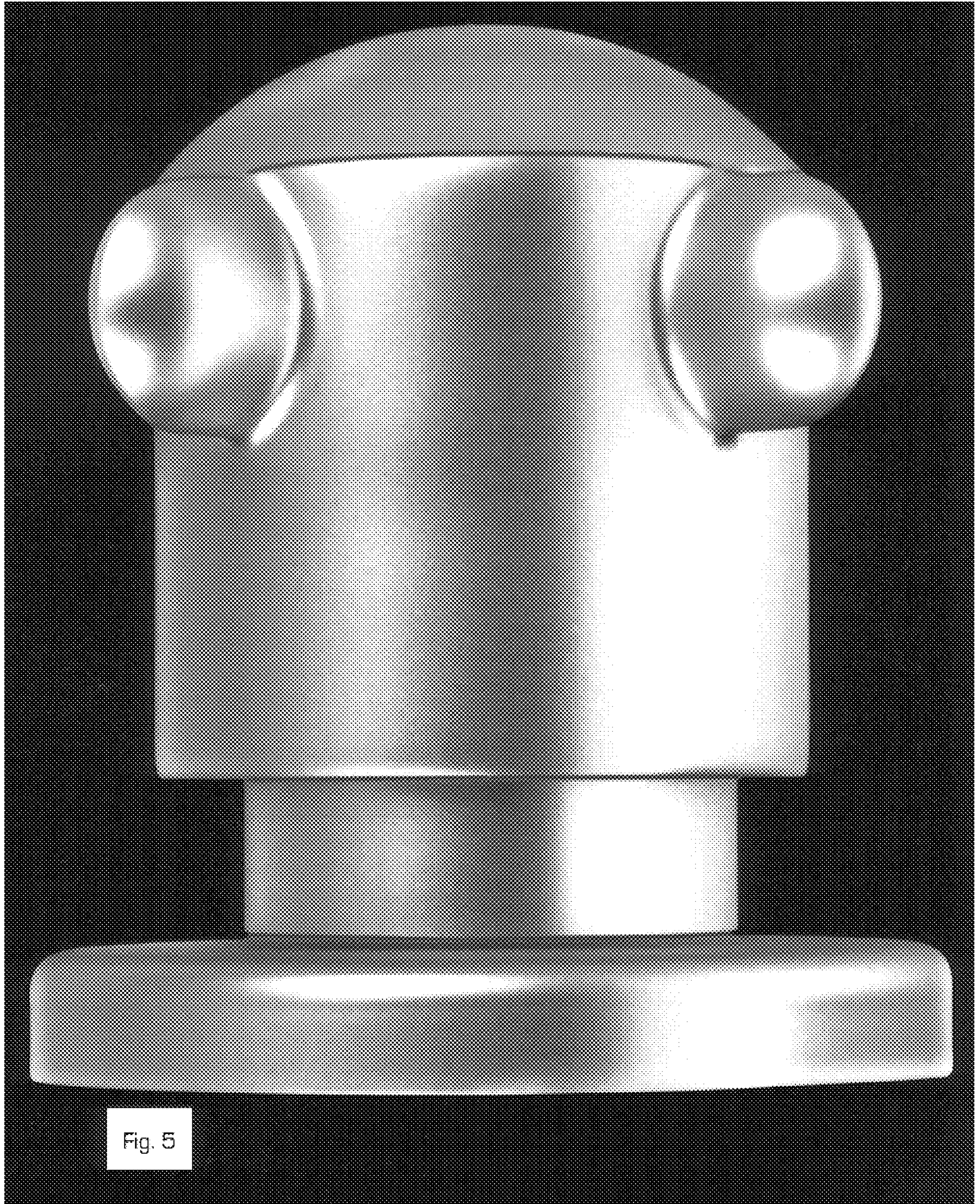
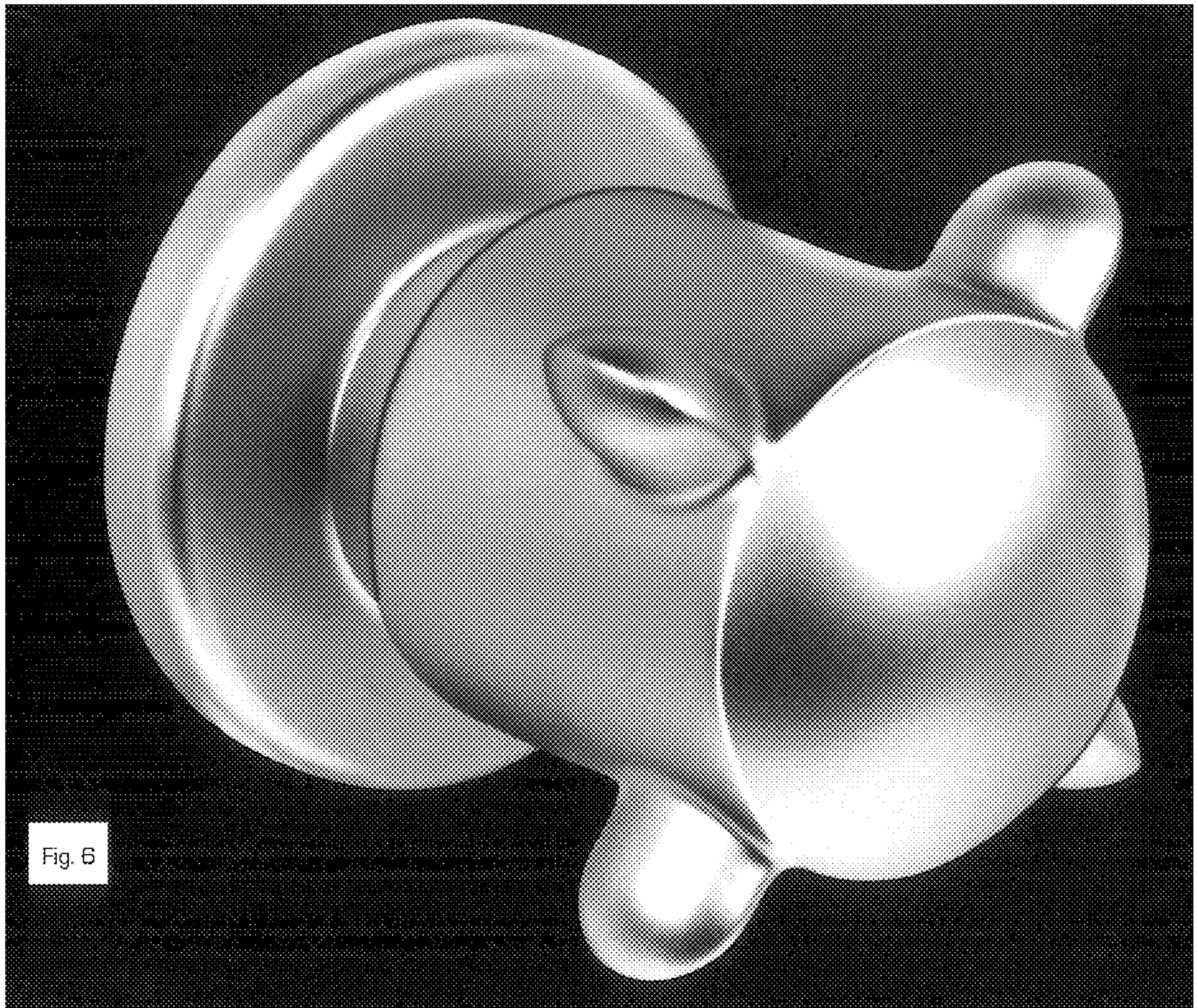


Fig. 5



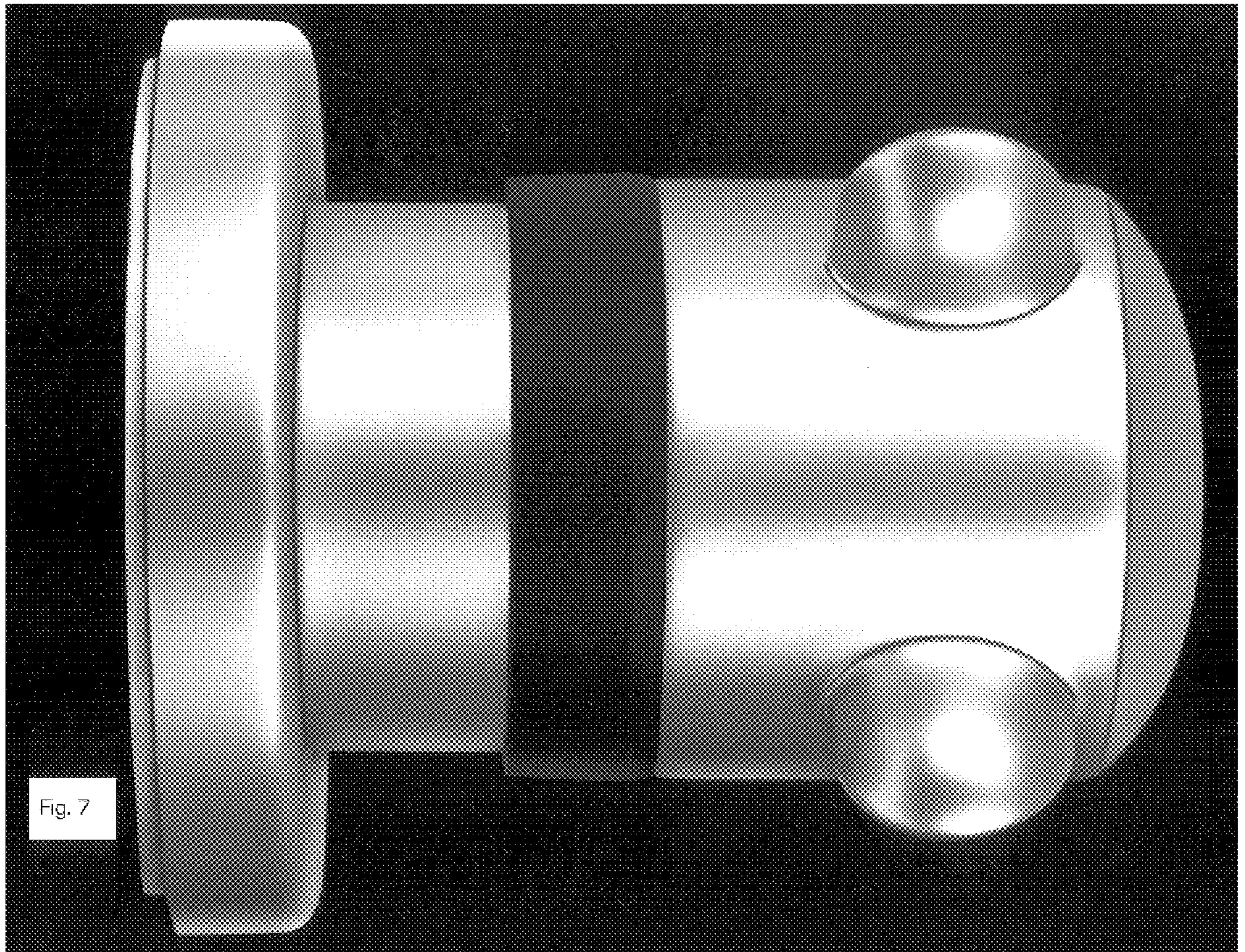


Fig. 7

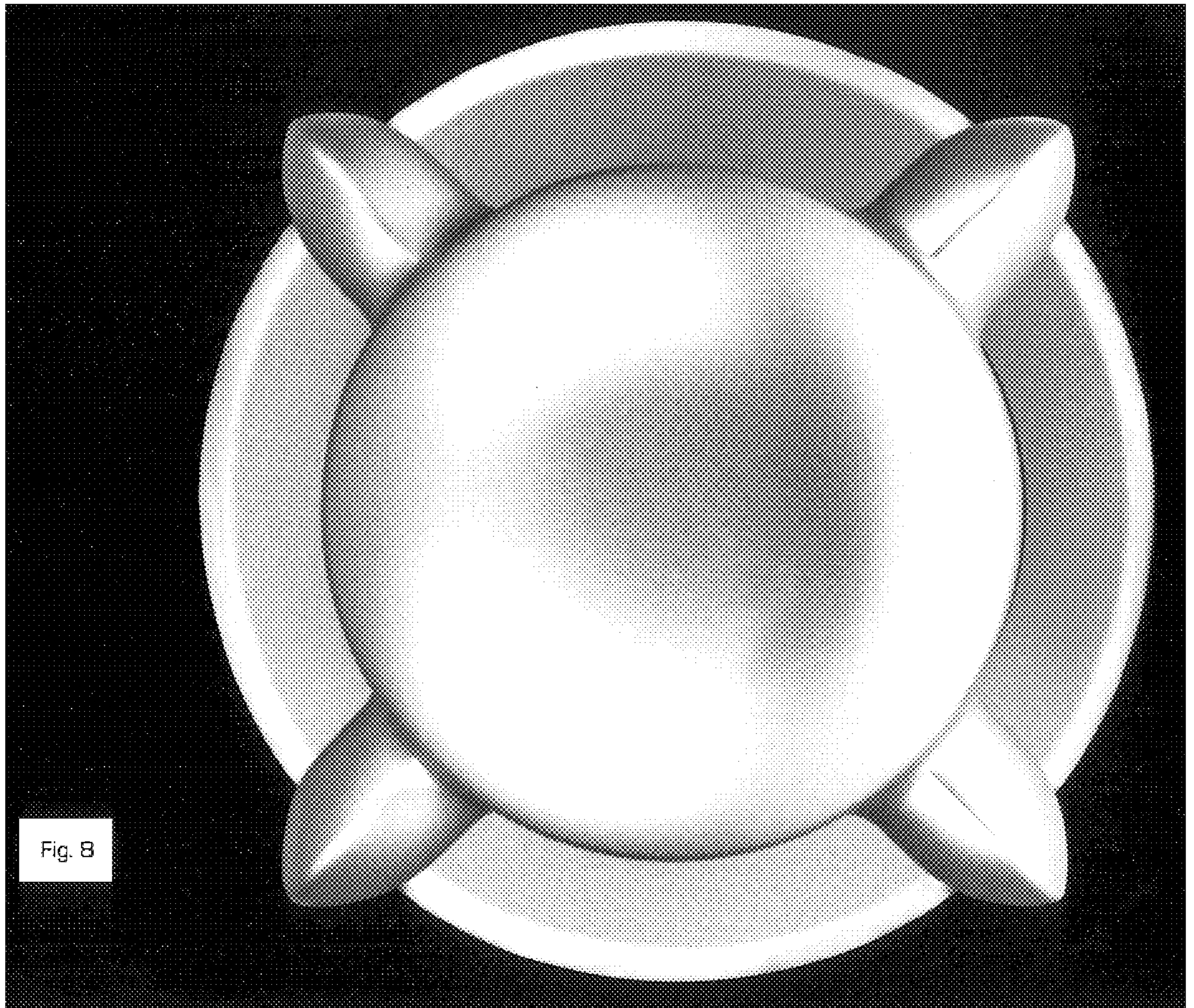


Fig. 8

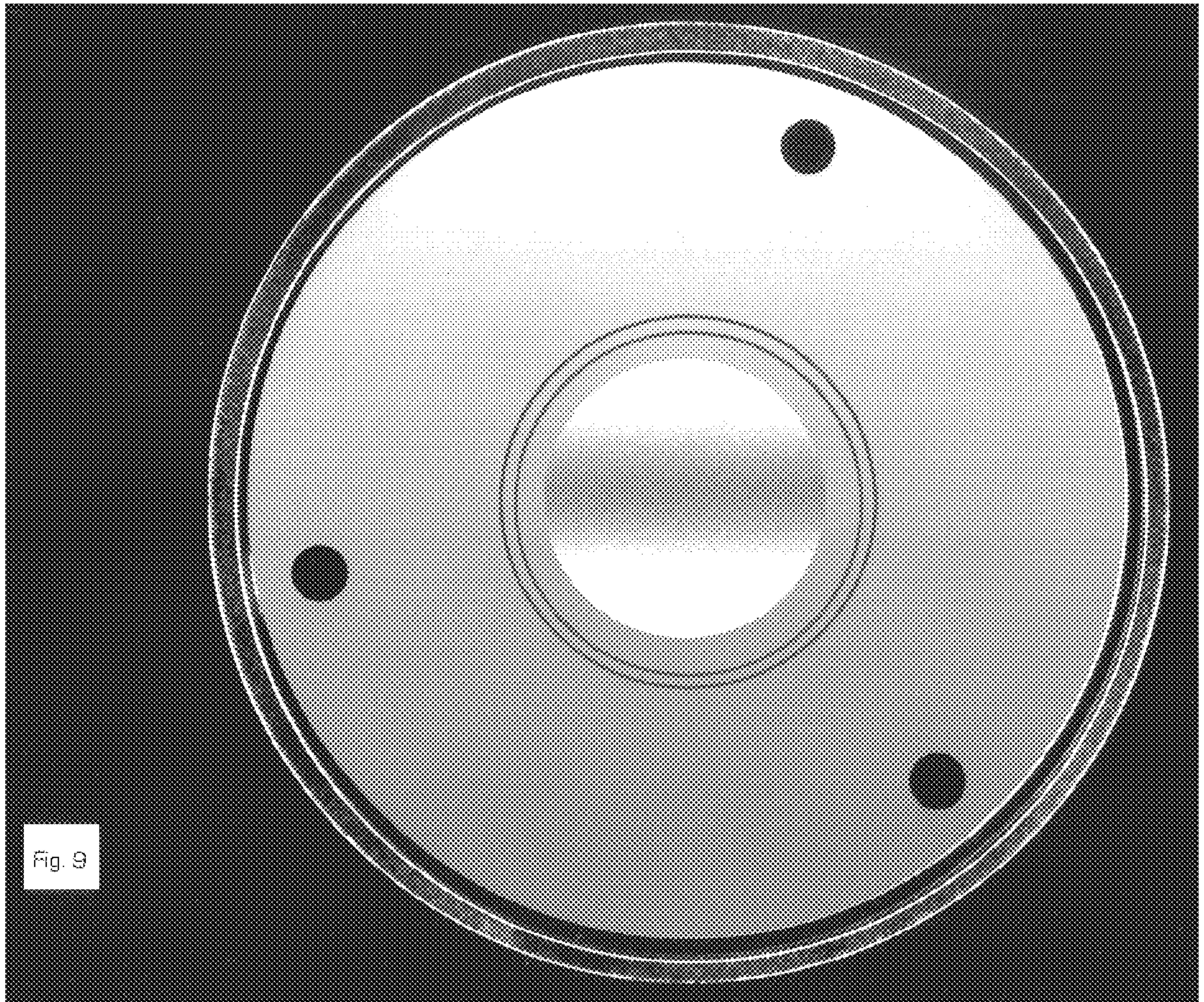
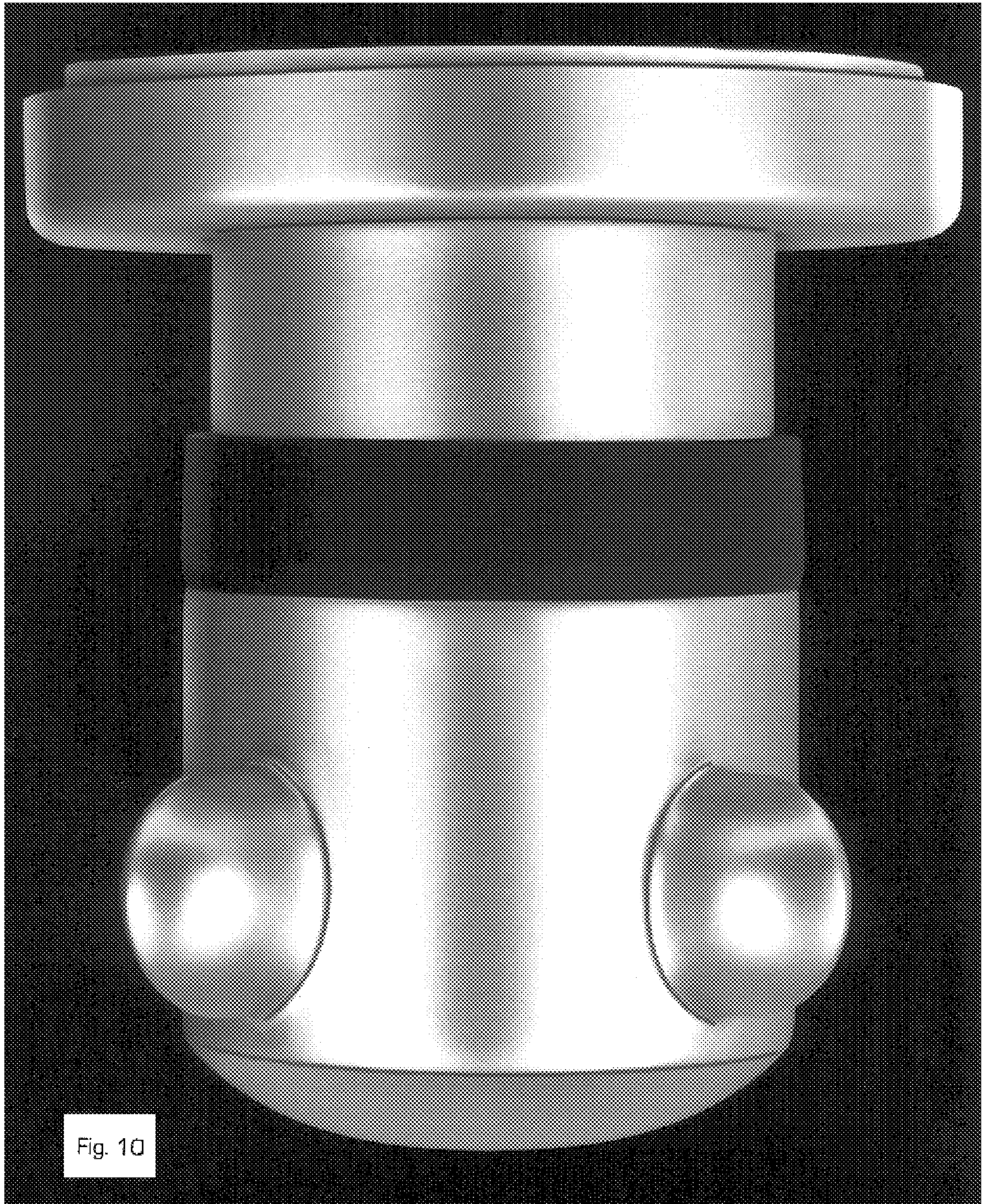


Fig. 9



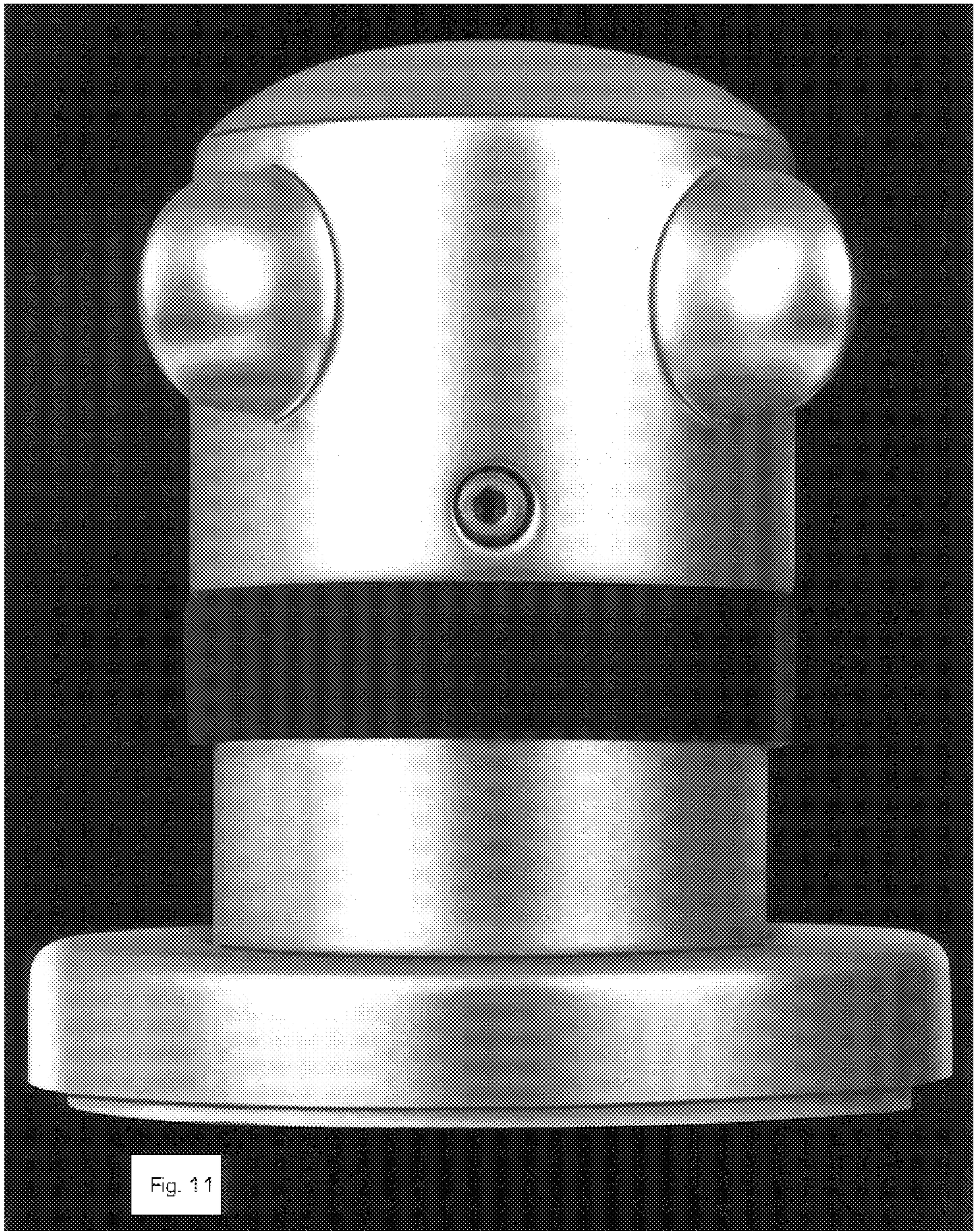


Fig. 11

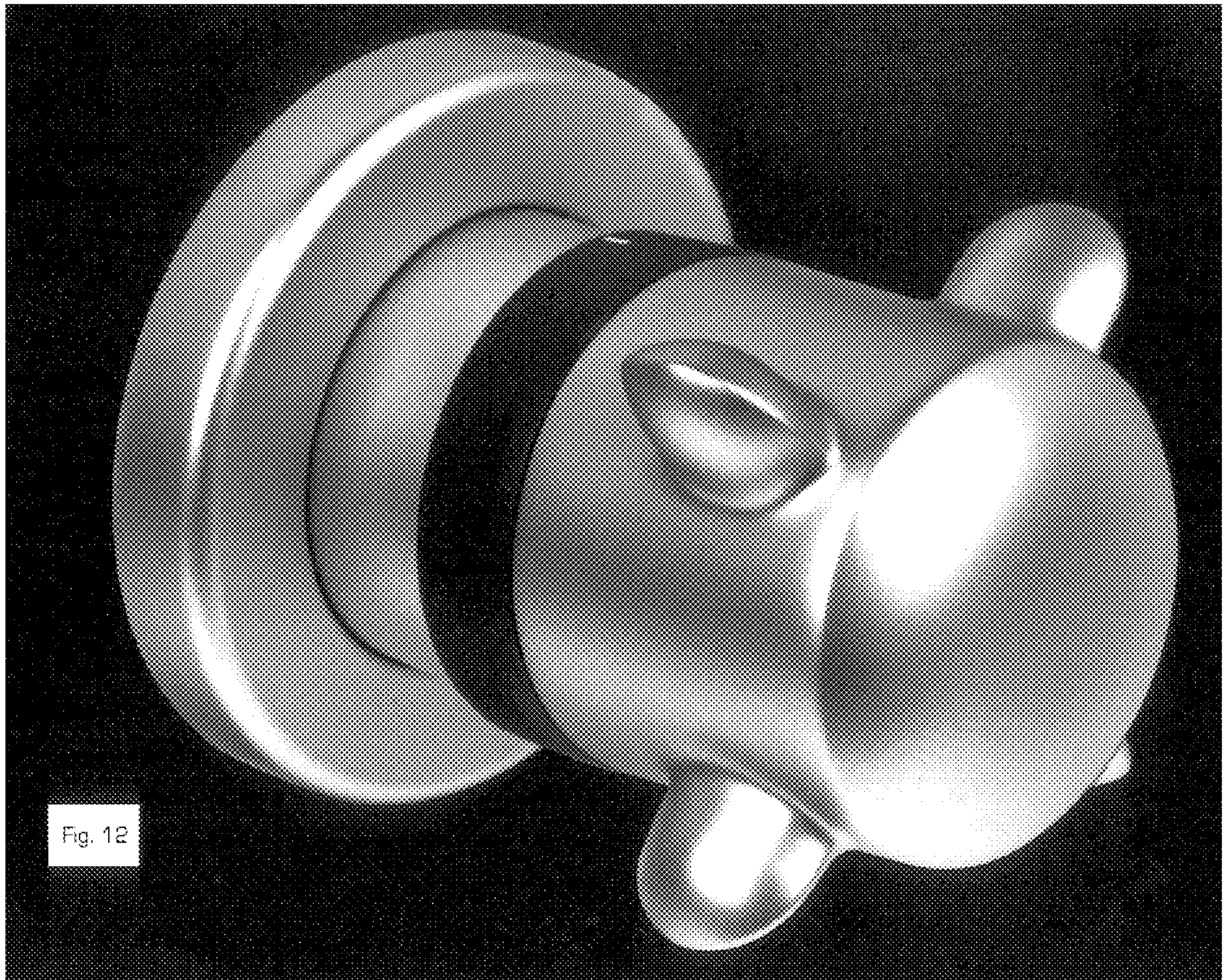


Fig. 12