



US00D441054S

(12) **United States Design Patent**
Davis

(10) **Patent No.:** **US D441,054 S**

(45) **Date of Patent:** **** Apr. 24, 2001**

(54) **WELL CASING CAP**

(76) **Inventor:** **Emery W. Davis**, 2241 Grubbs Mill Rd., Berwyn, PA (US) 19312-1935

(**) **Term:** **14 Years**

(21) **Appl. No.:** **29/104,725**

(22) **Filed:** **May 11, 1999**

Related U.S. Application Data

(62) Division of application No. 09/139,216, filed on Aug. 24, 1998.

(51) **LOC (7) Cl.** **23-01**

(52) **U.S. Cl.** **D23/249; D23/260**

(58) **Field of Search** D25/135; D23/259, D23/249, 260; 220/327, 318; 428/66.3, 65.5, 66.4; 166/92, 75.13

(56) **References Cited**

U.S. PATENT DOCUMENTS

- D. 34,948 * 8/1901 Stebbins D23/249
- D. 350,816 * 9/1994 Florence D23/260

- 2,615,471 * 10/1952 McFarland, Jr. D23/249
- 4,023,699 * 5/1977 Lien 220/3.8
- 4,457,448 * 7/1984 Beagell 220/327
- 4,881,597 * 11/1989 Hensley 166/92
- 4,919,989 * 4/1990 Colangelo 428/65
- 5,664,626 * 9/1997 Watts, III 166/75.13

* cited by examiner

Primary Examiner—Doris Clark

(74) *Attorney, Agent, or Firm*—Reed Smith Shaw & McClay LLP

(57) **CLAIM**

The ornamental design for a well casing cap, as shown and described.

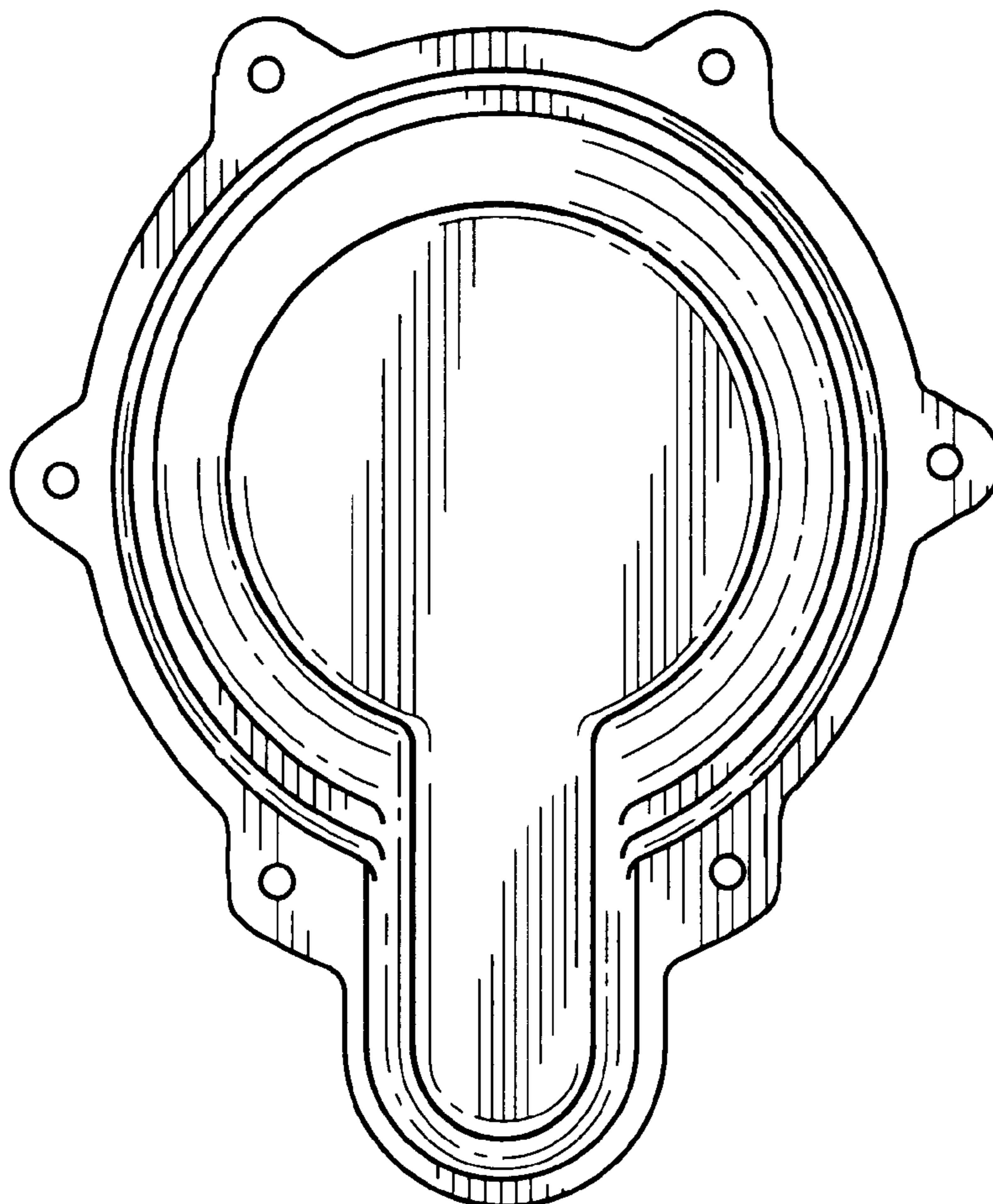
DESCRIPTION

FIG. 1 is a top plan view of a well casing cap embodying my invention.

FIG. 2 is a bottom plan view of the well casing cap shown in FIG. 1 and embodying my invention; and,

FIG. 3 is a side elevation of the right side of the well casing cap shown in FIG. 1 and embodying my invention; the left side is a mirror image of the right.

1 Claim, 1 Drawing Sheet



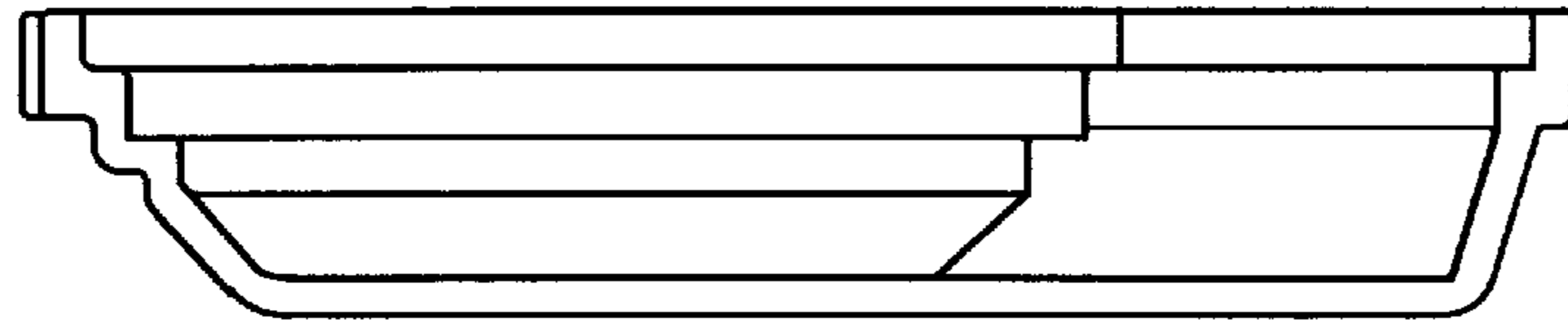


FIG. 3

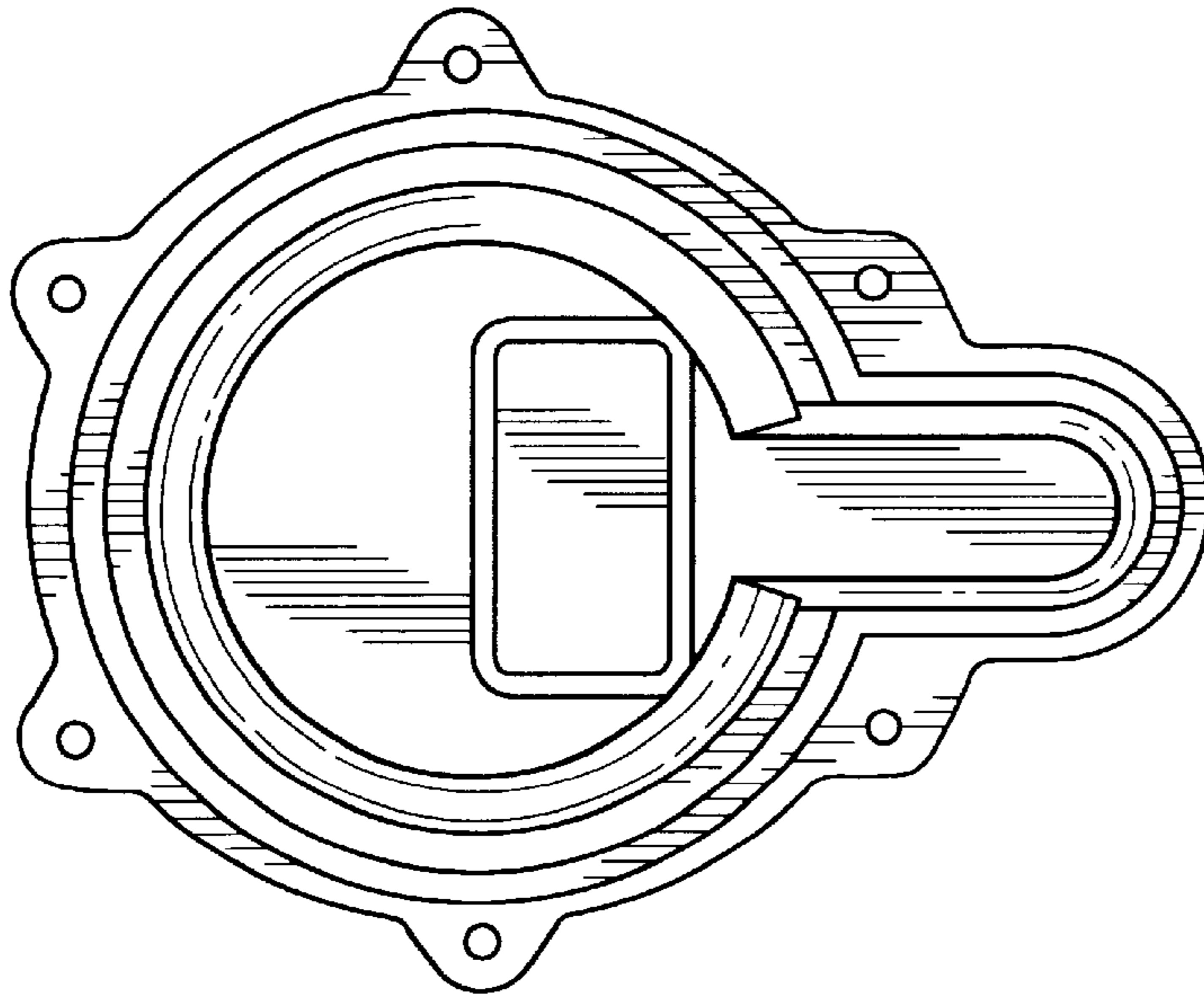


FIG. 2

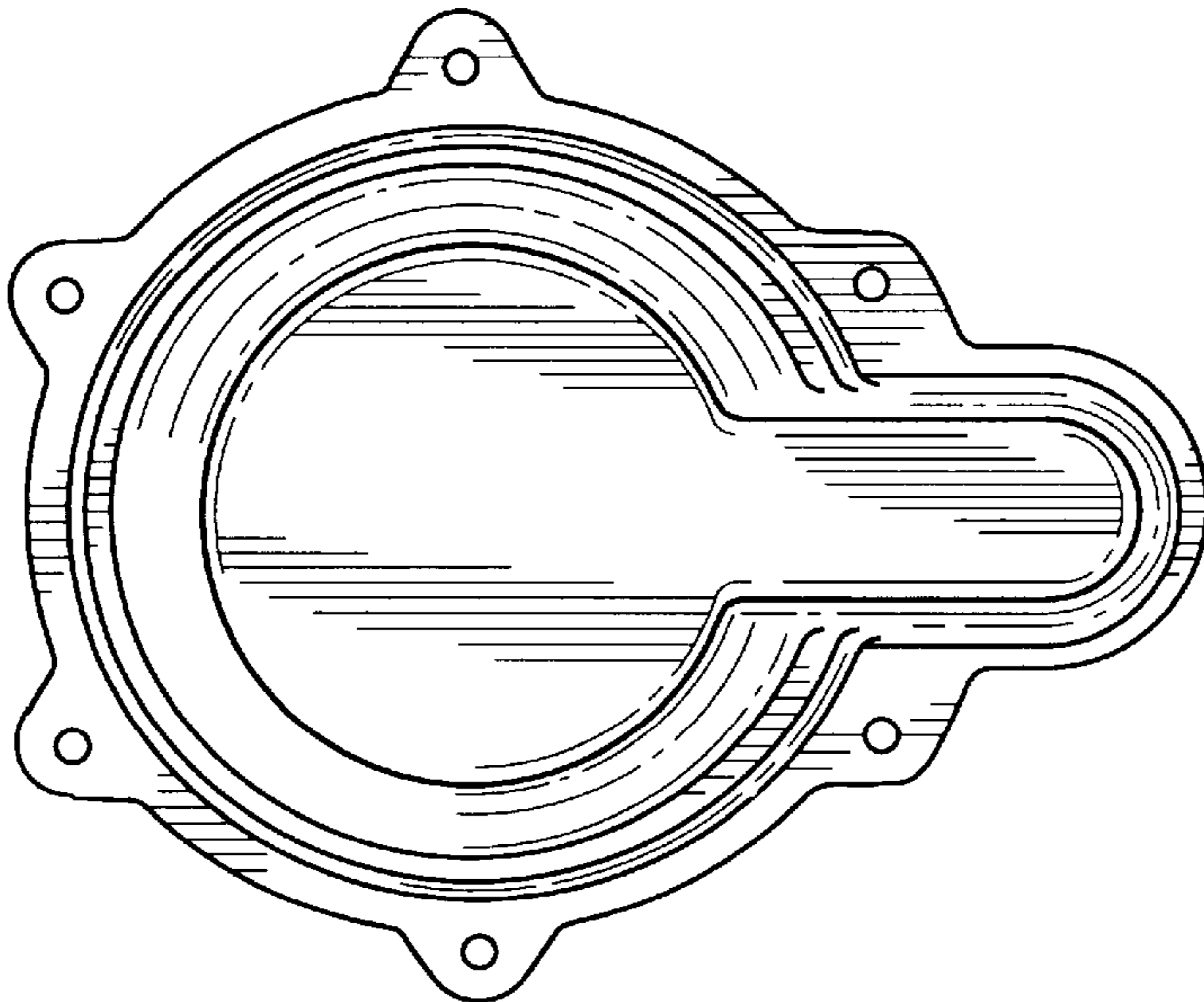


FIG. 1