



US00D441051S

(12) **United States Design Patent**
King

(10) **Patent No.:** **US D441,051 S**

(45) **Date of Patent:** **** Apr. 24, 2001**

(54) **SPRINKLER**

(75) Inventor: **Courtney A. King**, Ypsilanti, MI (US)

(73) Assignee: **Bird Brain, Inc.**, Ypsilanti, MI (US)

(**) Term: **14 Years**

(21) Appl. No.: **29/126,405**

(22) Filed: **Jul. 14, 2000**

(51) **LOC (7) Cl.** **23-01**

(52) **U.S. Cl.** **D23/214**

(58) **Field of Search** D23/213-215,
D23/217; 239/211, 567

(56) **References Cited**

U.S. PATENT DOCUMENTS

D. 225,328	*	12/1972	Margrill	D23/214
D. 390,313		2/1998	Smith	.	
D. 390,911		2/1998	Smith	.	
D. 390,912		2/1998	Smith	.	
D. 391,339		2/1998	Smith	.	
D. 403,743		1/1999	Smith	.	
D. 412,553		8/1999	Krueger	.	
D. 412,735	*	8/1999	Gleason	D23/214
D. 412,964		8/1999	Krueger	.	
D. 413,963		9/1999	Krueger	.	
D. 414,841		10/1999	Krueger	.	
D. 414,842		10/1999	Krueger	.	
D. 415,820		10/1999	Krueger	.	
D. 419,639		1/2000	Ormiston	.	
D. 423,640	*	4/2000	Stokes et al.	D23/214
D. 424,159	*	5/2000	Boccarossa et al.	D23/214
6,015,098		1/2000	Krueger	.	

OTHER PUBLICATIONS

The Garden Wall, thegardenwall/glassgazingballs.htm Jul. 25, 2000.

The Garden Wall, <http://home.att.net/~dreamsprayer/fish.jpg> Jul. 25, 2000.

Superior Copper Fountain Company, Ephraim, Wisconsin, <http://twirlingwaters.com/> Jul. 25, 2000.

Superior Copper Fountain Company, Ephraim, Wisconsin, www.twirlingwaters.com ("The Wind Gallery") Jul. 25, 2000.

* cited by examiner

Primary Examiner—Robin V. Taylor

(74) *Attorney, Agent, or Firm*—Young & Basile, P.C.

(57) **CLAIM**

The ornamental design for a sprinkler, as shown and described.

DESCRIPTION

FIG. 1 is a front elevational view of a sprinkler according to the invention;

FIG. 2 is a bottom plan view of the sprinkler of FIG. 1;

FIG. 3 is a top plan view of the sprinkler of FIG. 1;

FIG. 4 is a left side elevational view of the sprinkler of FIG. 1, the right side elevational view being identical;

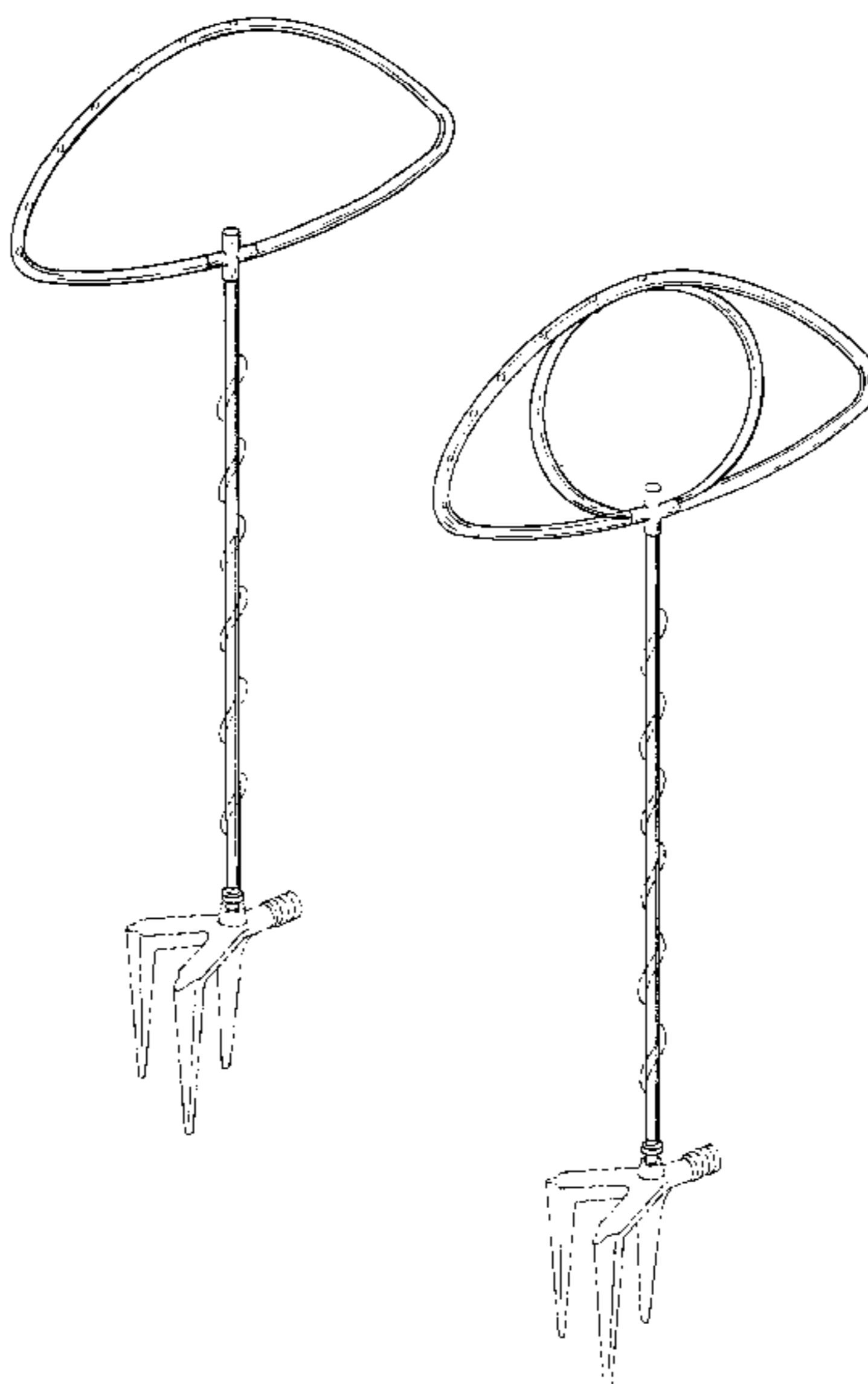
FIG. 5 is a front elevational view of an alternate embodiment of the sprinkler of FIG. 1;

FIG. 6 is a perspective view of the sprinkler of FIG. 1, with the mounting environment of the sprinkler illustrated in phantom; and,

FIG. 7 is a perspective view of the alternate sprinkler embodiment of FIG. 5, also with the mounting environment illustrated in phantom.

The broken line showing is for illustrative purposes only and forms no part of the claimed design.

1 Claim, 3 Drawing Sheets



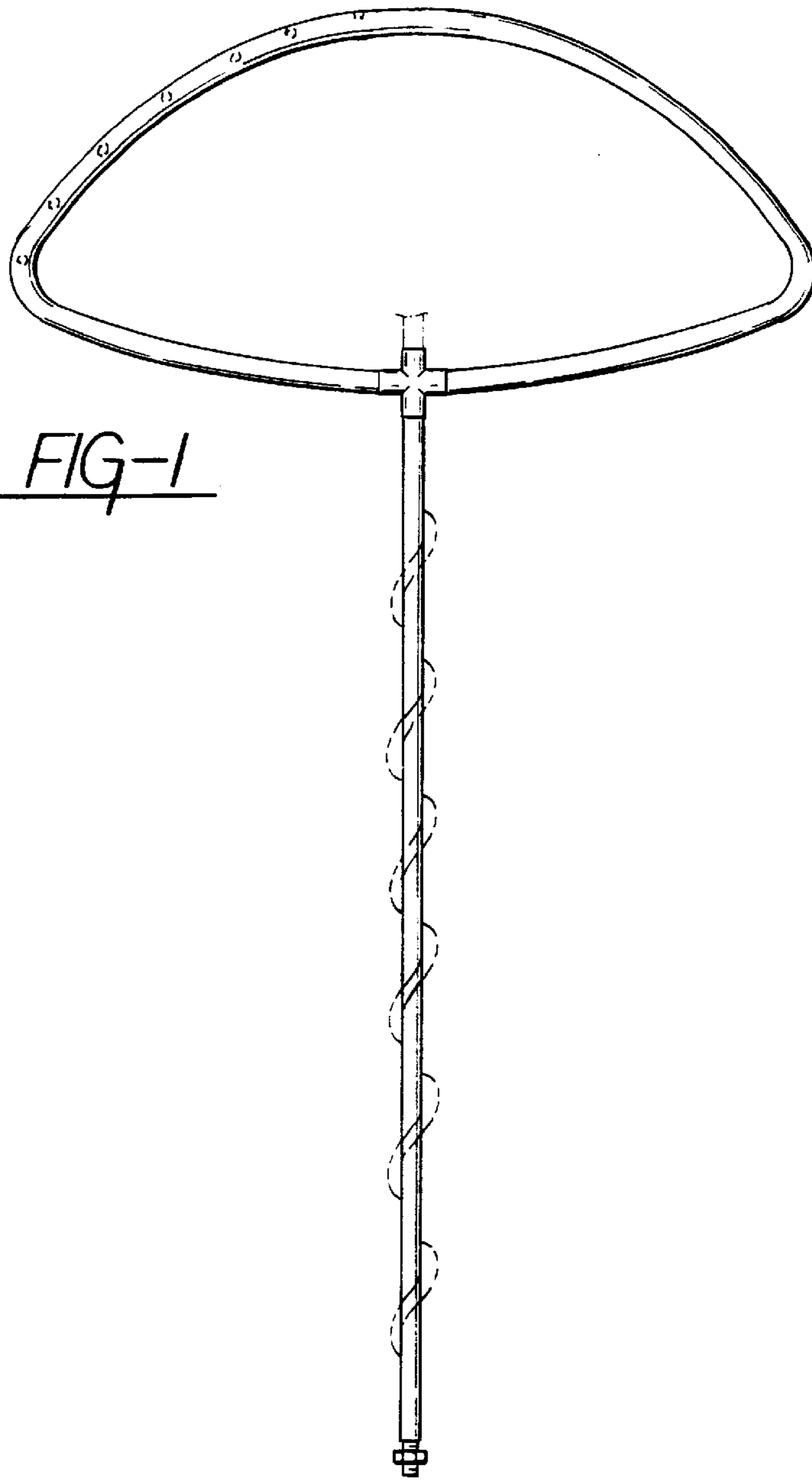
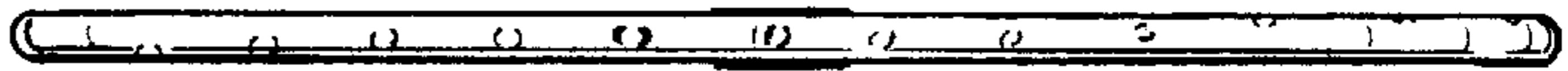


FIG-1

FIG-2



FIG-3



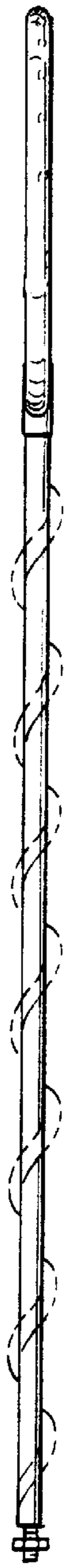


FIG-4

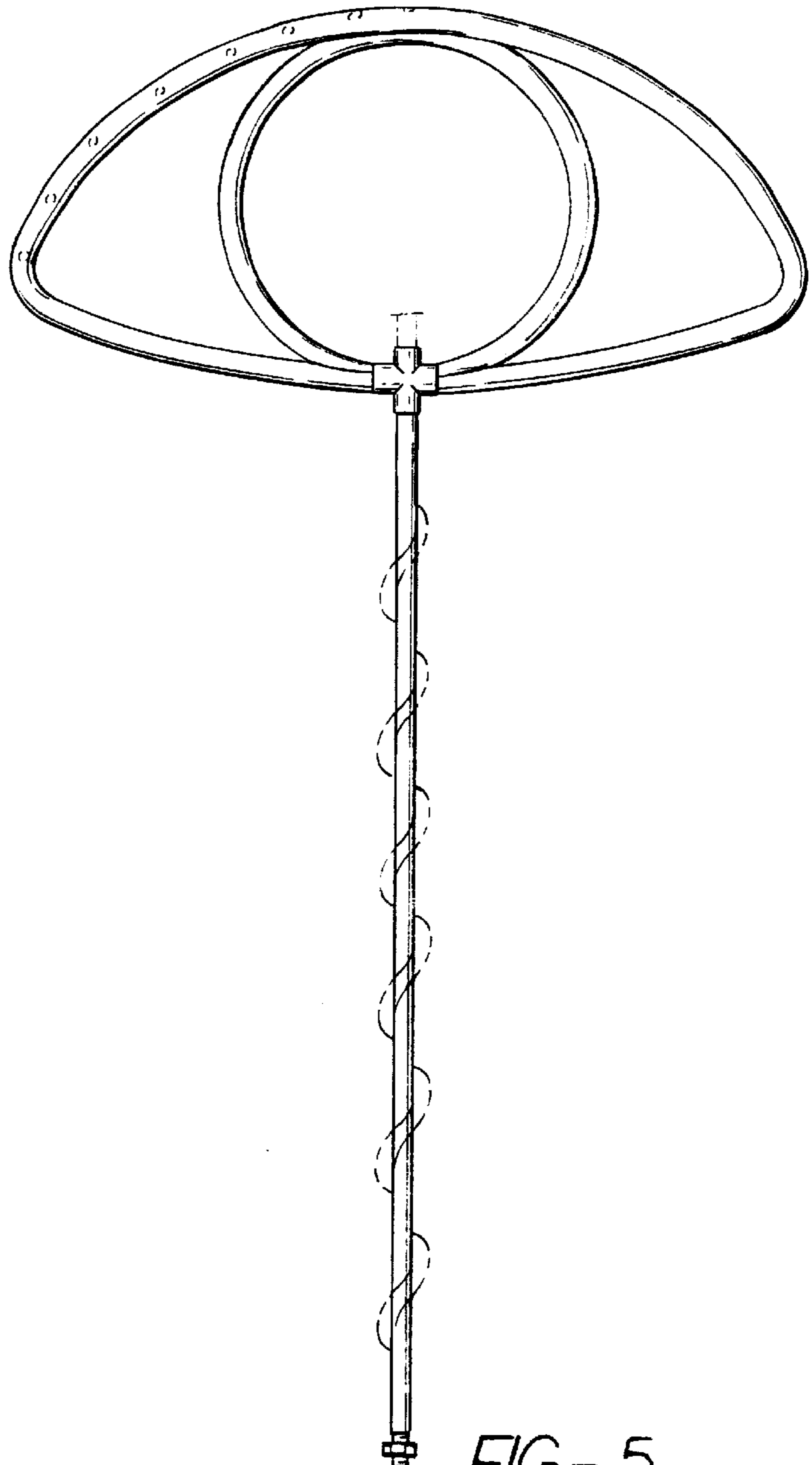


FIG-5

