



US00D441047S

(12) **United States Design Patent**
Scowen

(10) **Patent No.:** **US D441,047 S**

(45) **Date of Patent:** **** Apr. 24, 2001**

(54) **FOOD SANITIZER**

(75) **Inventor:** **Ken Scowen**, deceased, late of
Springfield, NJ (US), by Mary Scowen,
executrix

(73) **Assignee:** **Aqua-Air Technologies, Inc.**,
Bloomfield, NJ (US)

(**) **Term:** **14 Years**

(21) **Appl. No.:** **29/098,481**

(22) **Filed:** **Dec. 30, 1998**

(51) **LOC (7) Cl.** **23-01**

(52) **U.S. Cl.** **D23/207; D23/209**

(58) **Field of Search** **D7/368; D23/200,**
D23/201, 207, 209-210, 238, 270, 303,
308; 210/282; 422/84

(56) **References Cited**

U.S. PATENT DOCUMENTS

- D. 295,887 * 5/1988 Hopkins D23/207
- D. 296,463 * 6/1988 Padilla D23/209
- D. 309,494 * 7/1990 Riley D23/209
- D. 361,823 * 8/1995 Layton et al. D23/207

- D. 377,388 * 1/1997 Weber et al. D23/207
- D. 383,192 * 9/1997 Johnson D23/209
- D. 386,242 * 11/1997 Clack et al. D23/209
- D. 396,088 * 7/1998 Hsu D23/209
- D. 403,406 * 12/1998 Douglas D23/209
- 5,709,795 * 1/1998 Park et al. 210/460
- 6,001,249 * 12/1999 Bailey et al. 210/232

* cited by examiner

Primary Examiner—Ruth McInroy

(74) *Attorney, Agent, or Firm*—Omri M. Behr

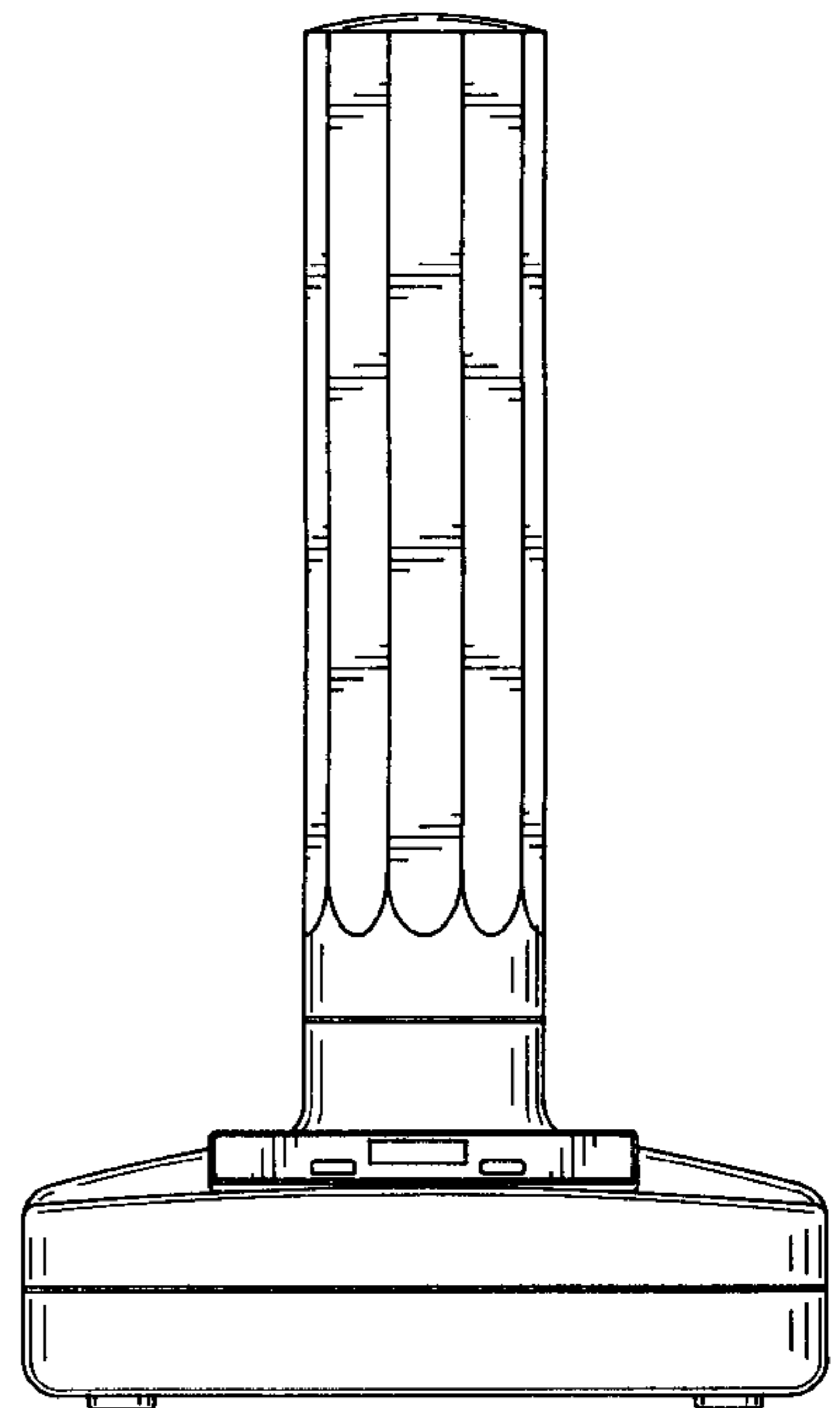
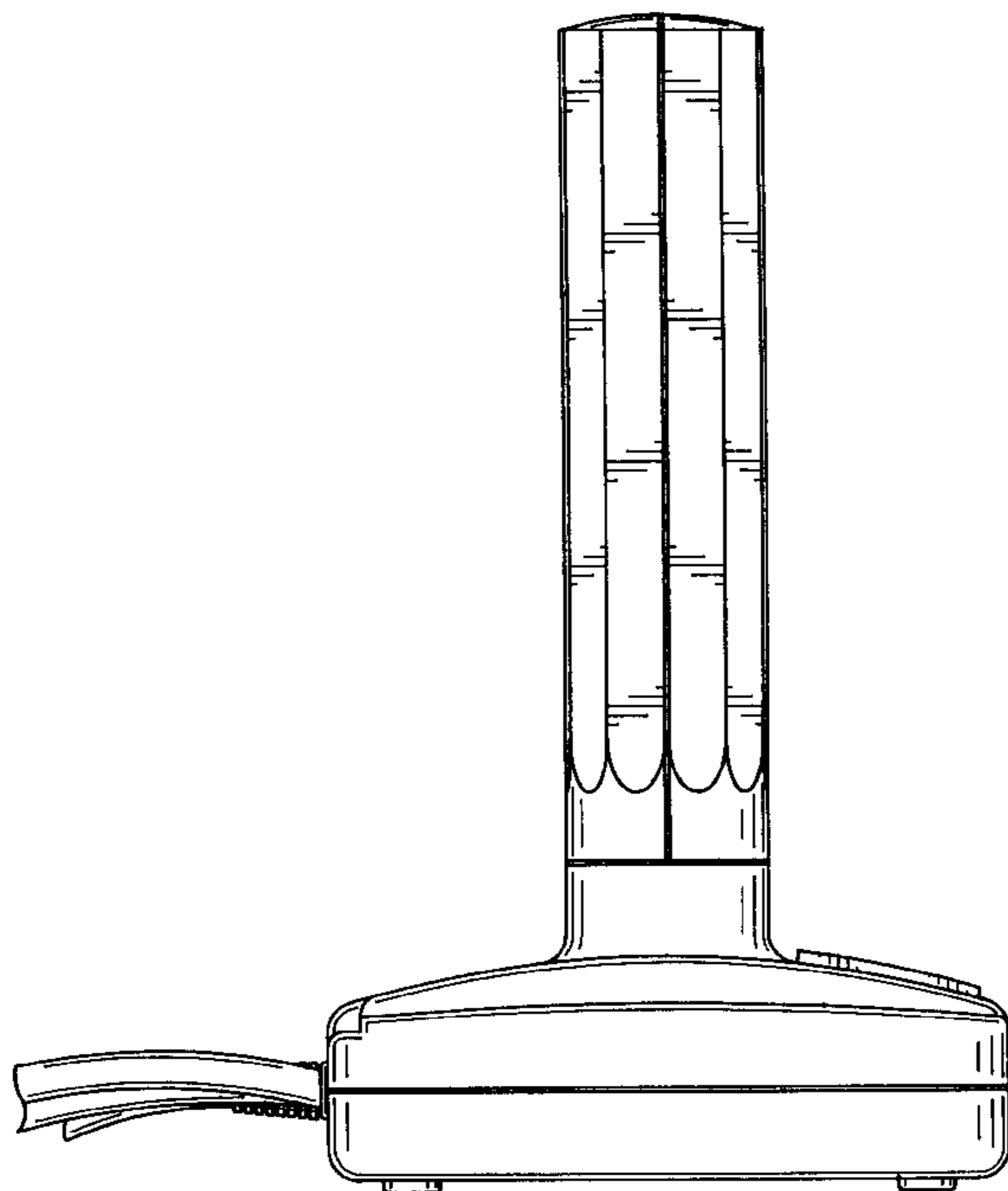
(57) **CLAIM**

The ornamental design for a food sanitizer, as shown and described.

DESCRIPTION

FIG. 1 is a right side elevational view of a food sanitizer showing my new design;
 FIG. 2 is a left side elevational view thereof;
 FIG. 3 is a front elevational view thereof;
 FIG. 4 is rear elevational view thereof;
 FIG. 5 is a top plan view thereof; and,
 FIG. 6 is a bottom plan view thereof.

1 Claim, 4 Drawing Sheets



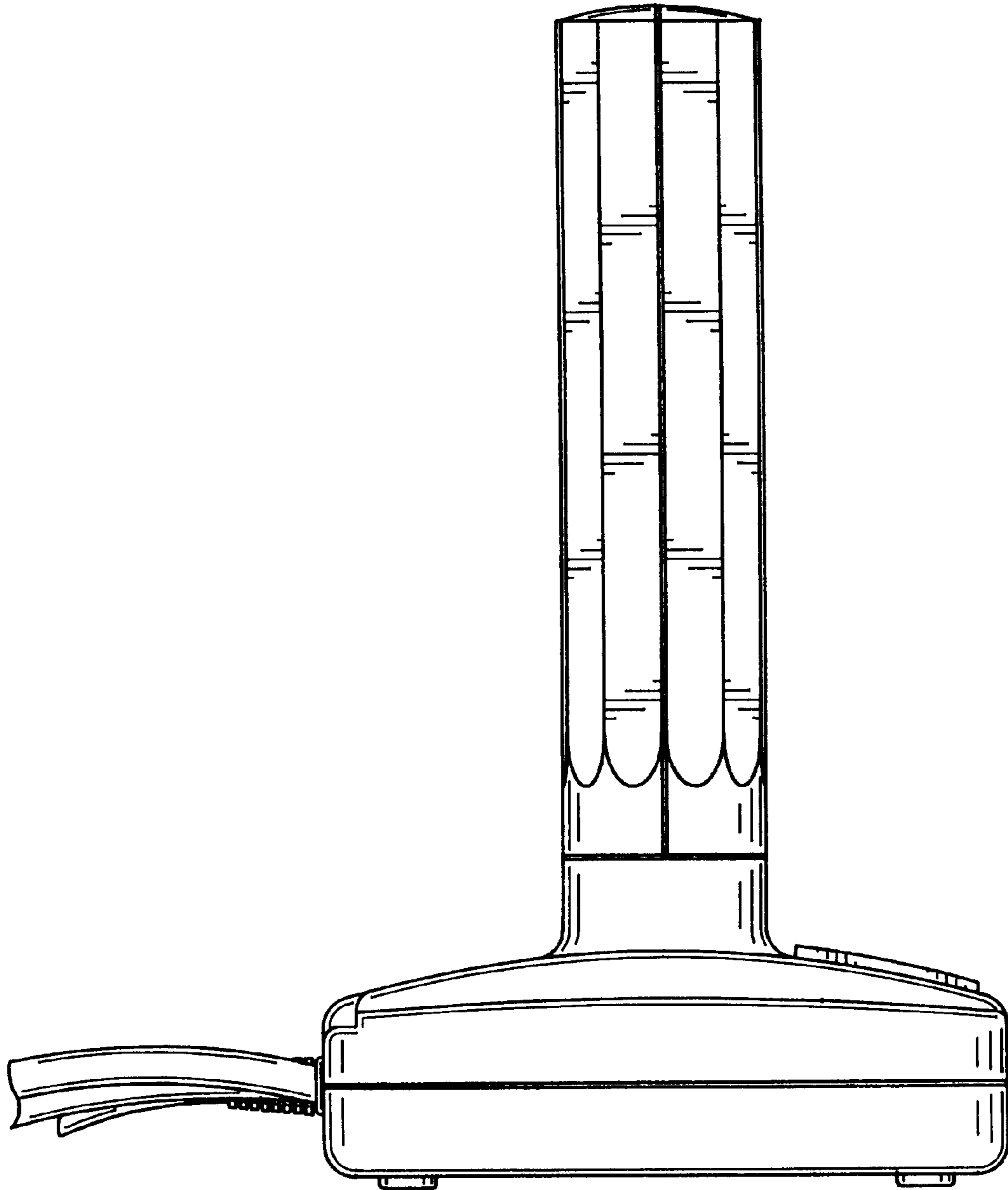


FIG. 1

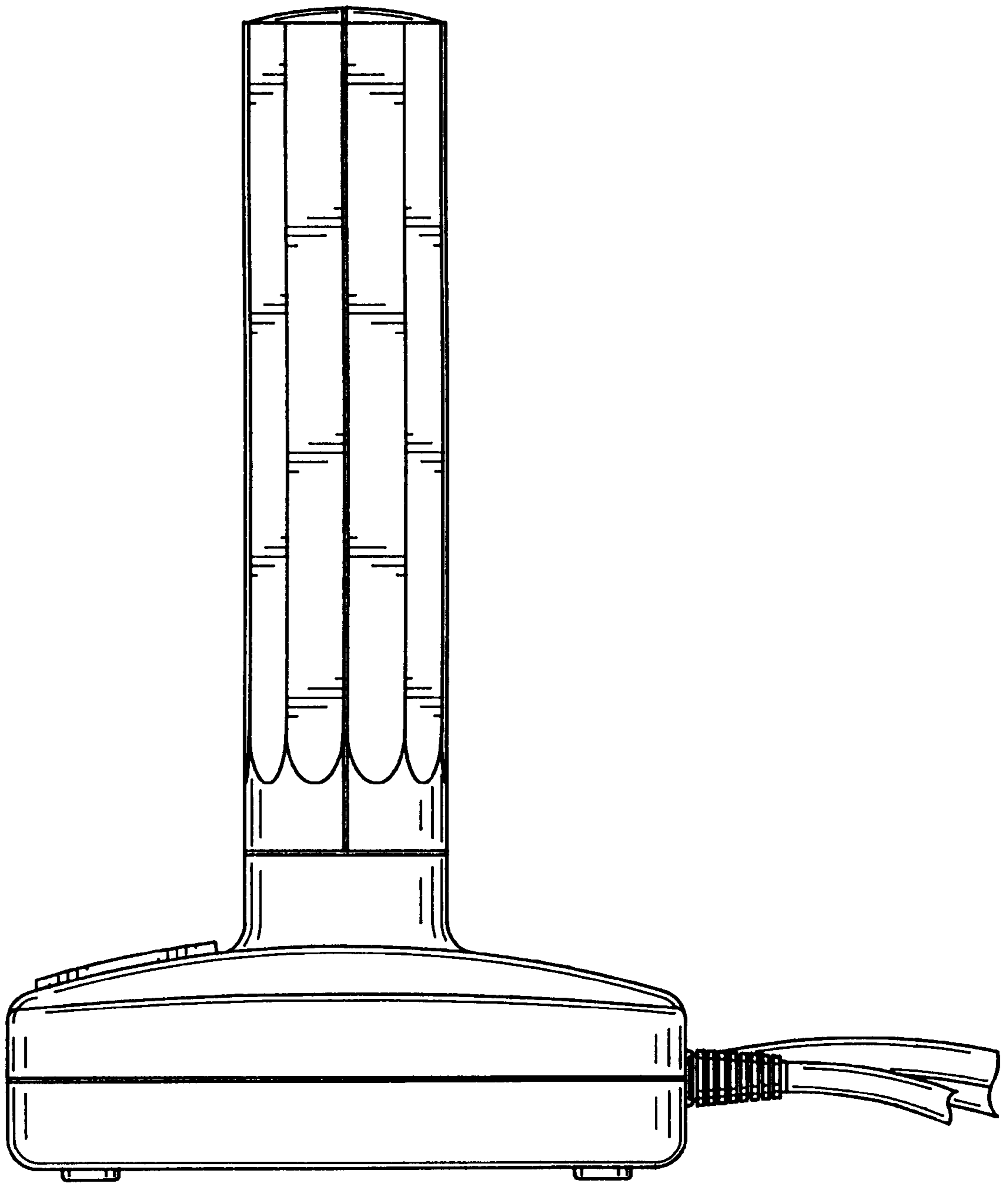


FIG. 2

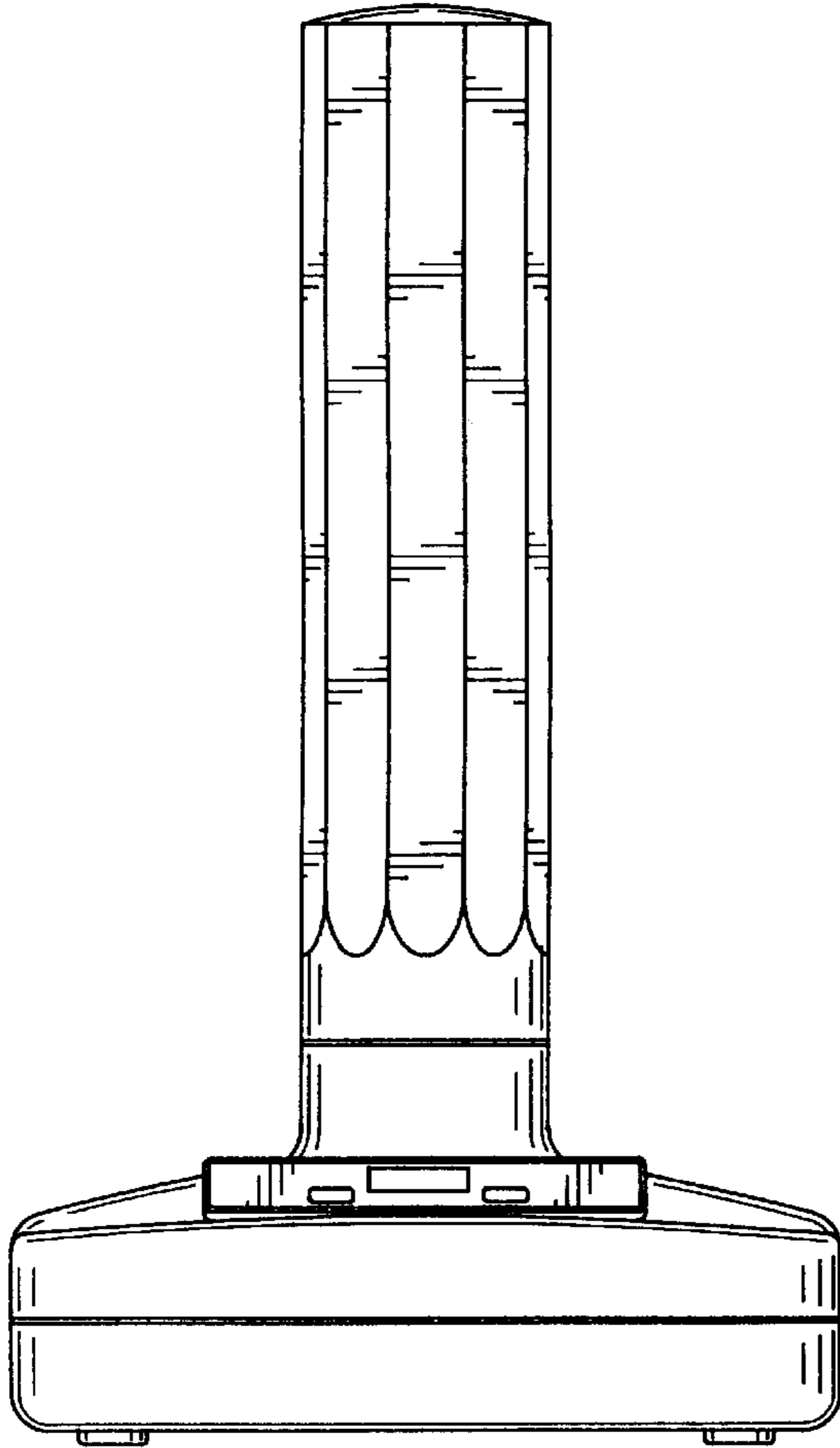


FIG. 3

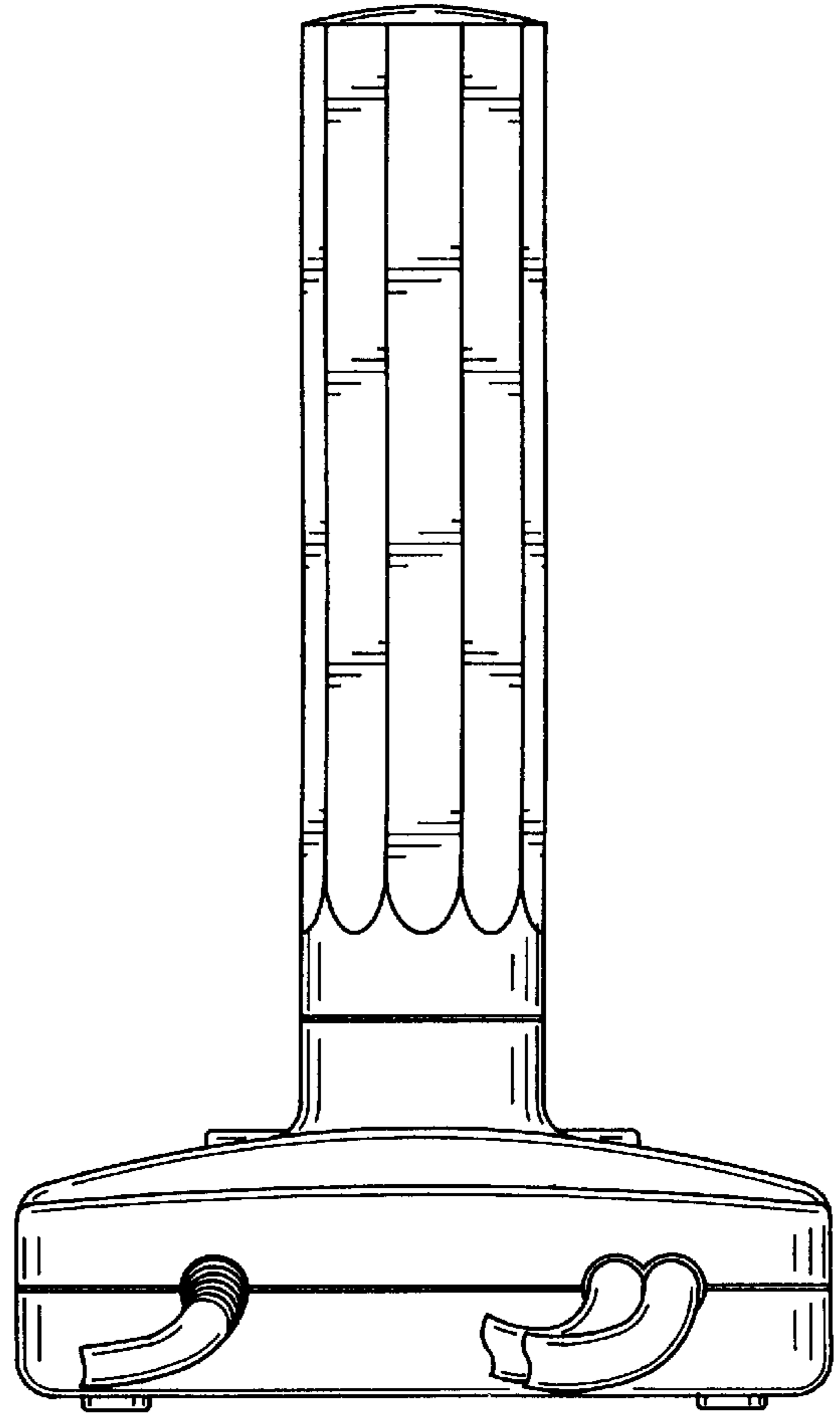


FIG. 4

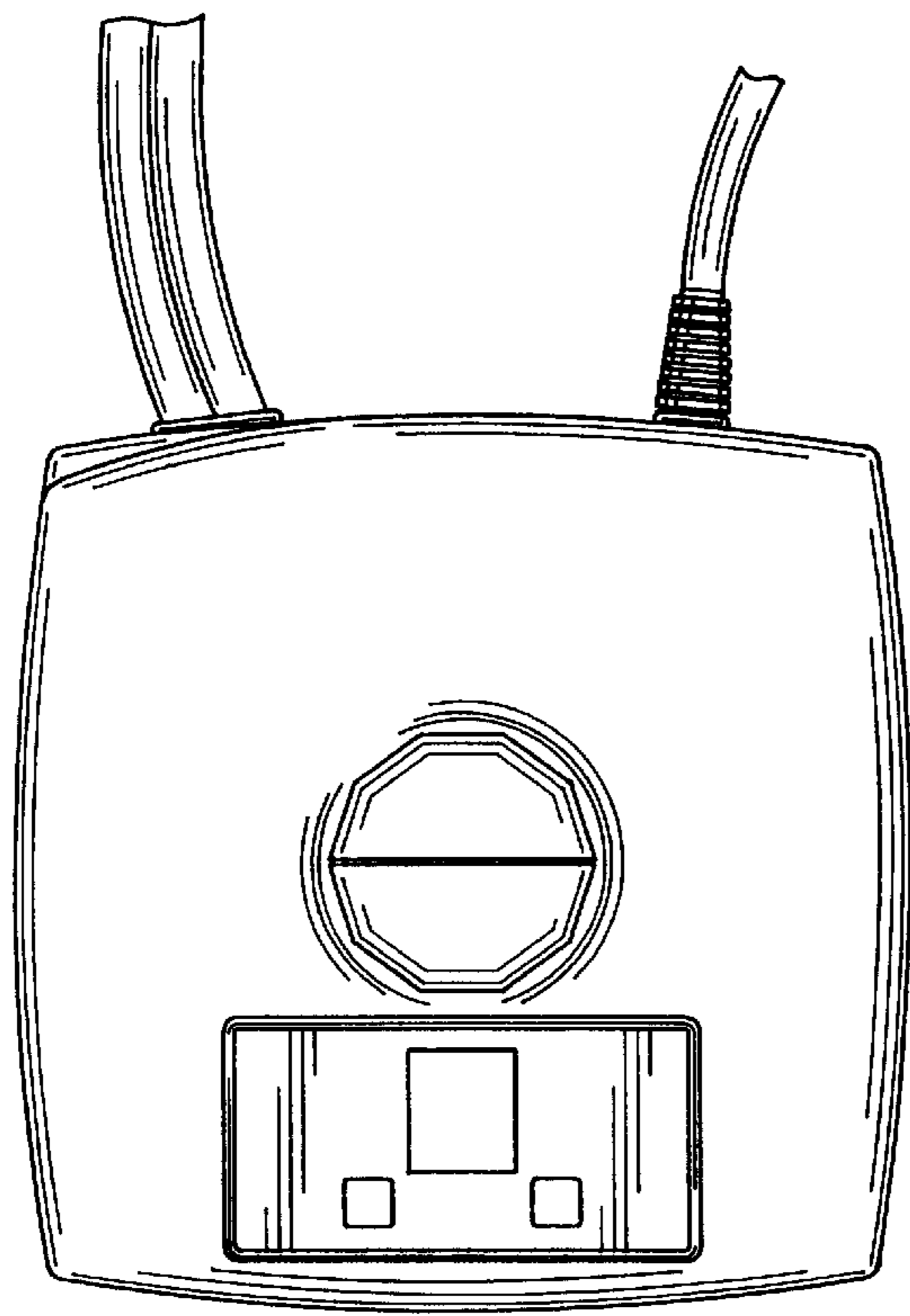


FIG. 5

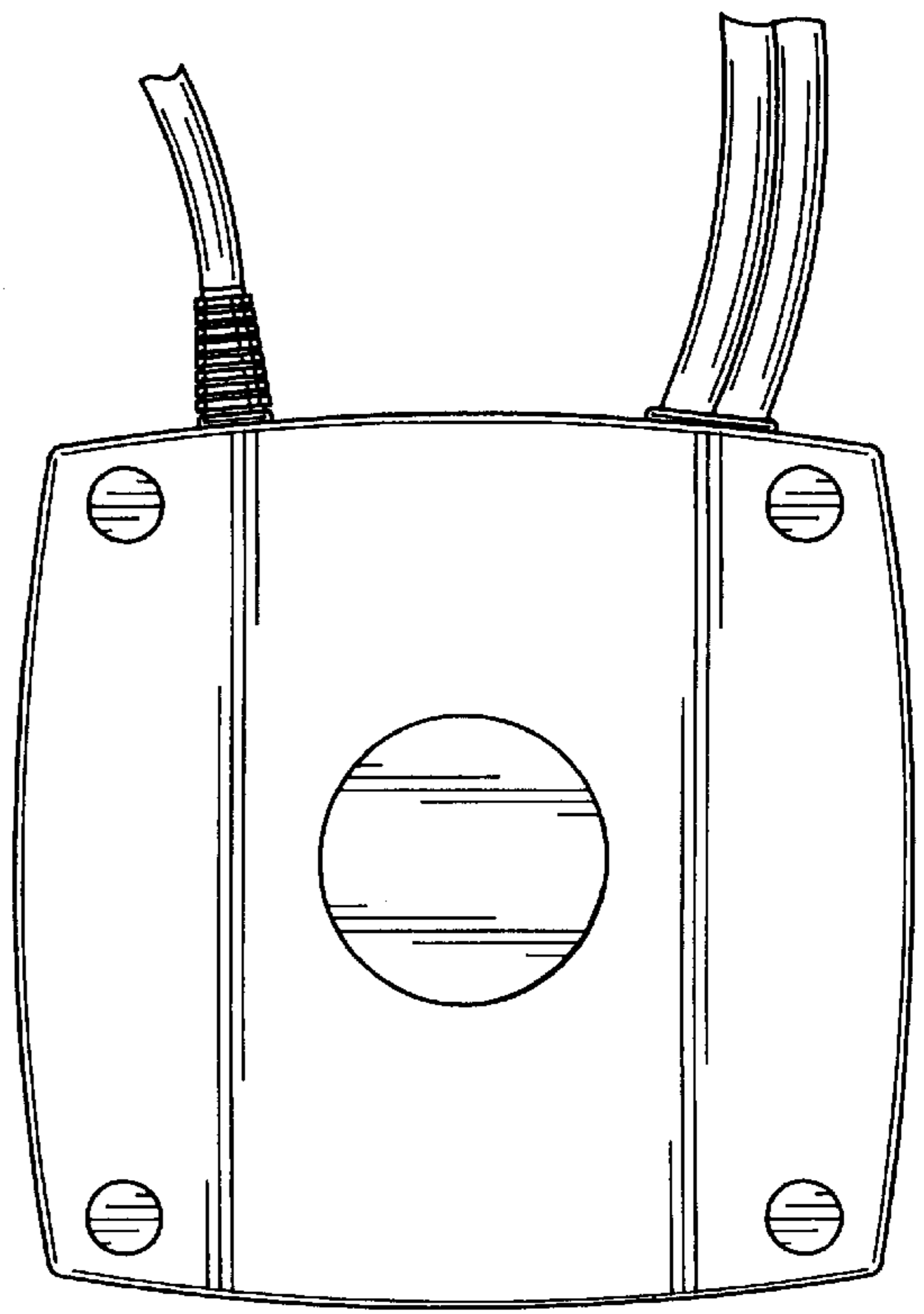


FIG. 6