



US00D441042S

(12) **United States Design Patent**
Hettinger

(10) **Patent No.:** **US D441,042 S**

(45) **Date of Patent:** **** Apr. 24, 2001**

(54) **STRIKING SURFACE FOR A GOLF CLUB
PUTTER HEAD**

(75) **Inventor:** **Ronald K. Hettinger**, Oceanside, CA
(US)

(73) **Assignee:** **Callaway Golf Company**, Carlsbad,
CA (US)

(**) **Term:** **14 Years**

(21) **Appl. No.:** **29/126,937**

(22) **Filed:** **Jul. 26, 2000**

(51) **LOC (7) Cl.** **21-02**

(52) **U.S. Cl.** **D21/759**

(58) **Field of Search** D21/736-746,
D21/753, 759; 473/251-256, 324, 329,
340, 341

(56) **References Cited**

U.S. PATENT DOCUMENTS

D. 426,599	*	6/2000	Morgan et al.	D21/736
D. 427,262	*	6/2000	Frazetta	D21/743
D. 428,088	*	7/2000	Cameron et al.	D21/759
D. 435,275	*	12/2000	Sizemore	D21/736
3,836,153		9/1974	Dance, Jr.	.	
4,330,128		5/1982	Morelli	.	
4,679,792		7/1987	Straza et al.	.	
4,798,383		1/1989	Nagasaki et al.	.	
5,316,305		5/1994	McCabe	.	
5,332,223		7/1994	Johnson	.	
5,368,302		11/1994	Thomas	.	
5,464,212		11/1995	Cook	.	

5,480,153	1/1996	Igarashi	.	
5,489,098	2/1996	Gojny et al.	.	
5,497,993	3/1996	Shan	.	
5,531,439	7/1996	Azzarella	.	
5,575,472	* 11/1996	Adams et al.	473/342
5,586,948	12/1996	Mick	.	
5,690,562	* 11/1997	Sturm	473/340
5,718,644	2/1998	Donofrio	.	
5,746,664	5/1998	Reynolds, Jr.	.	
5,782,706	7/1998	DePriest	.	
5,839,974	11/1998	McAllister	.	
5,890,973	4/1999	Gamble	.	

FOREIGN PATENT DOCUMENTS

0891790A2 7/1998 (EP) .

* cited by examiner

Primary Examiner—Terry A. Wallace

(74) *Attorney, Agent, or Firm*—Michael A. Catania

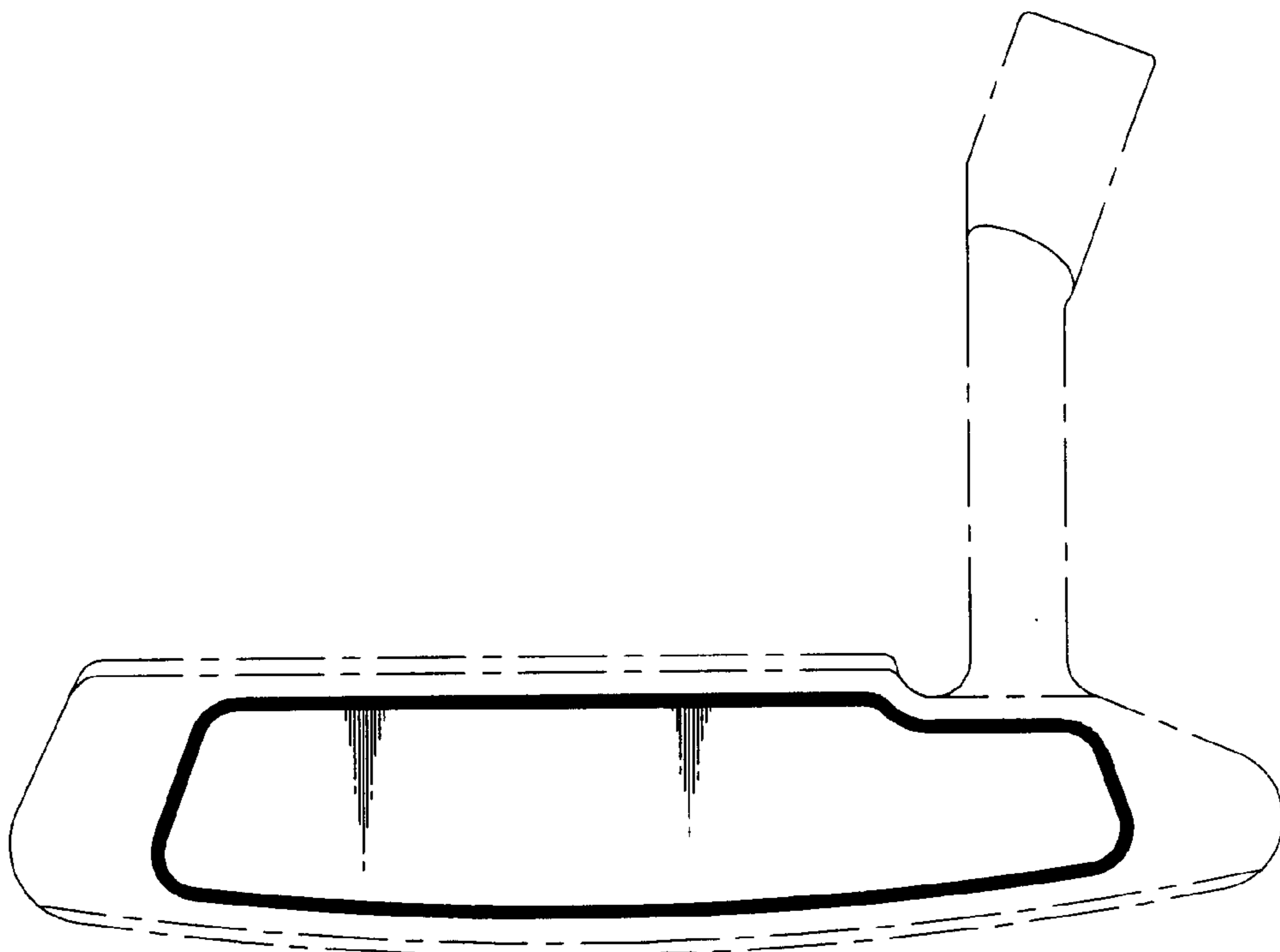
(57) **CLAIM**

The ornamental design striking surface for a golf club putter head, as shown and described.

DESCRIPTION

FIG. 1 is a perspective view of the striking surface for a golf club putter head;
FIG. 2 is front view thereof; and,
FIG. 3 is a top plan view thereof.
The broken line showing of the golf putter head is for illustrative purposes only and forms no part of the claimed design.

1 Claim, 1 Drawing Sheet



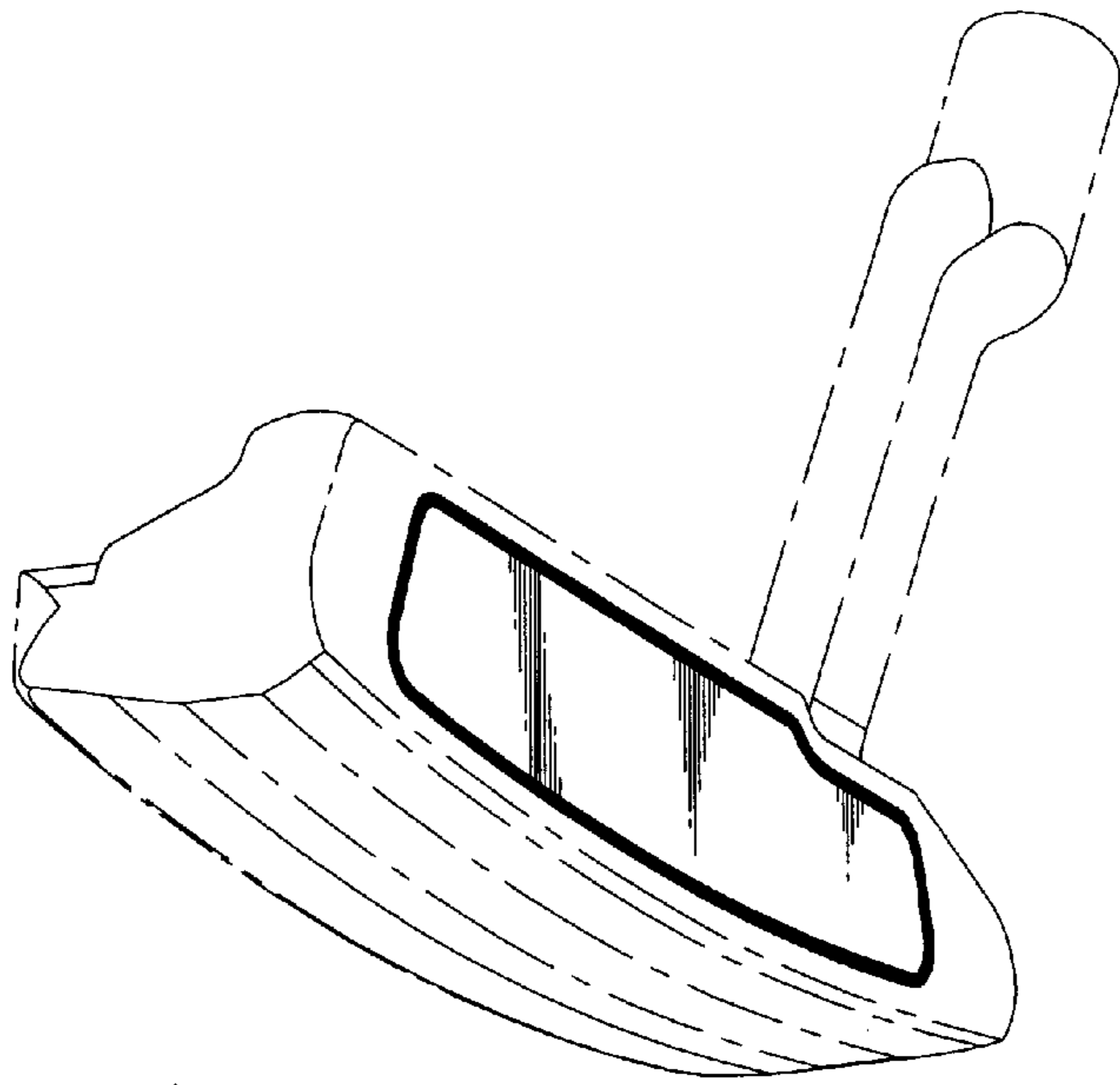


FIG. 1

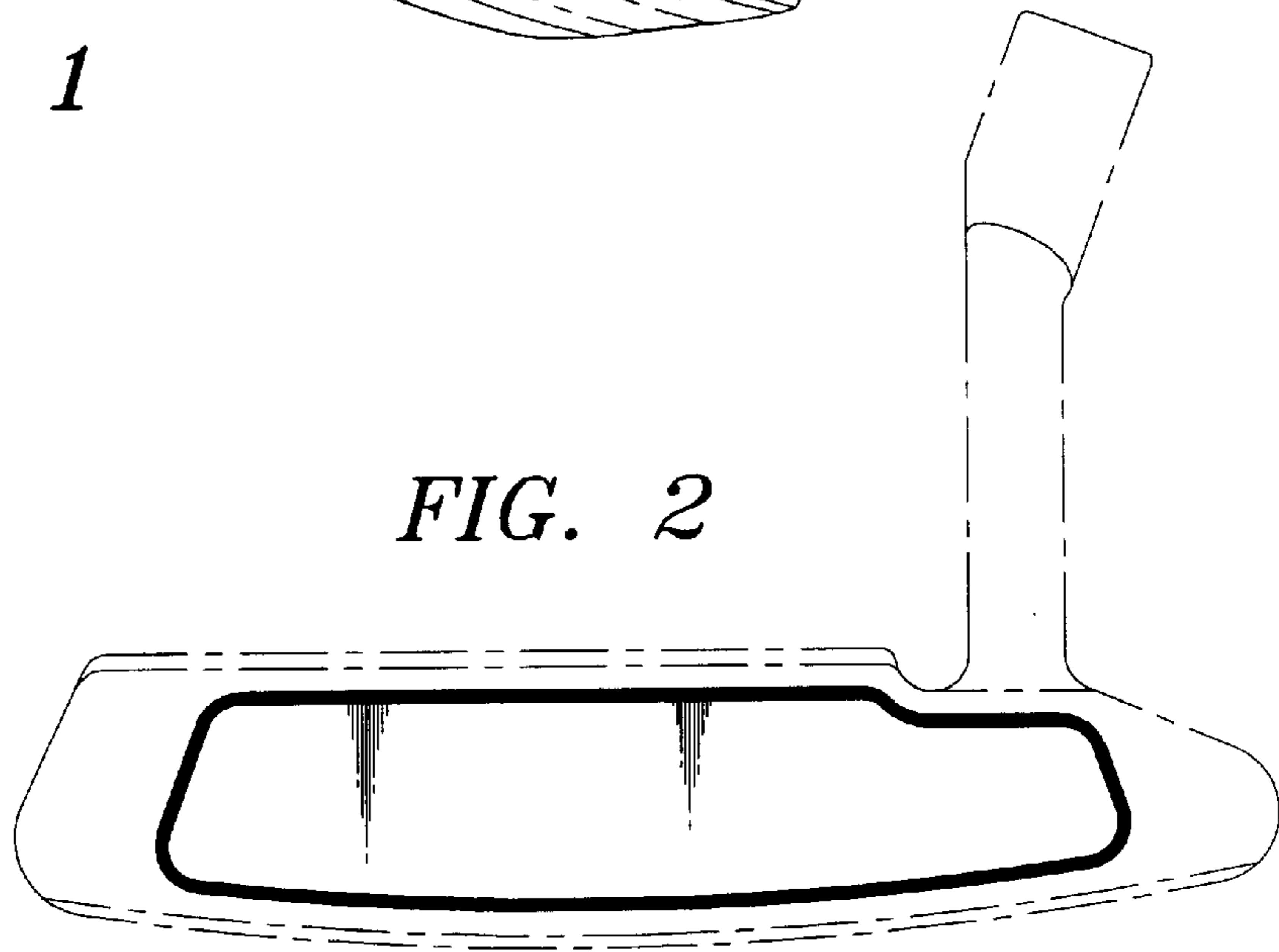


FIG. 2

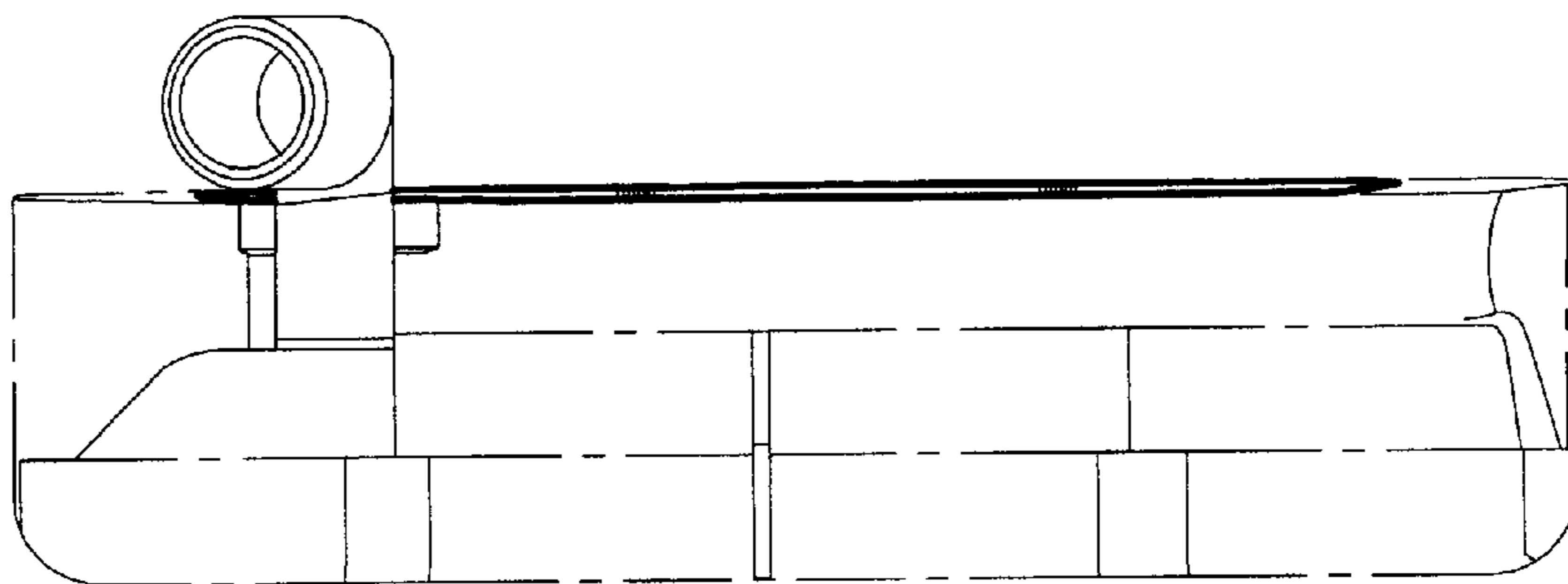


FIG. 3