



US00D441041S

(12) **United States Design Patent**
Opie

(10) **Patent No.:** **US D441,041 S**

(45) **Date of Patent:** **** Apr. 24, 2001**

(54) **PUTTER TYPE GOLF CLUB HEAD**

(76) Inventor: **Edward C. Opie**, 5155 Tahoe Ct.,
Clarkston, MI (US) 48348

(**) Term: **14 Years**

(21) Appl. No.: **29/129,641**

(22) Filed: **Sep. 20, 2000**

(51) **LOC (7) Cl.** **21-02**

(52) **U.S. Cl.** **D21/743**

(58) **Field of Search** D21/736-746;
743/251-256, 324, 327, 328, 340, 341

(56) **References Cited**

U.S. PATENT DOCUMENTS

D. 246,329	*	11/1977	Little	D21/739
D. 296,120	*	6/1988	Brace	D21/739
D. 306,629	*	3/1990	Shearer	D21/743
D. 310,115	*	8/1990	Iinuma	D21/739
D. 314,031	*	1/1991	Iinuma	D21/739
D. 412,729	*	8/1999	Woodward	D21/743

* cited by examiner

Primary Examiner—Terry A. Wallace

(74) *Attorney, Agent, or Firm*—Aquilino, Welsh & Flaxman

(57) **CLAIM**

The ornamental design for a putter type golf club head, as shown and described.

DESCRIPTION

FIG. 1 is a rear perspective view of a putter type golf club head showing my new design.

FIG. 2 is a front elevational view thereof.

FIG. 3 is a bottom view thereof.

FIG. 4 is a top plan view thereof.

FIG. 5 is a rear elevational view thereof.

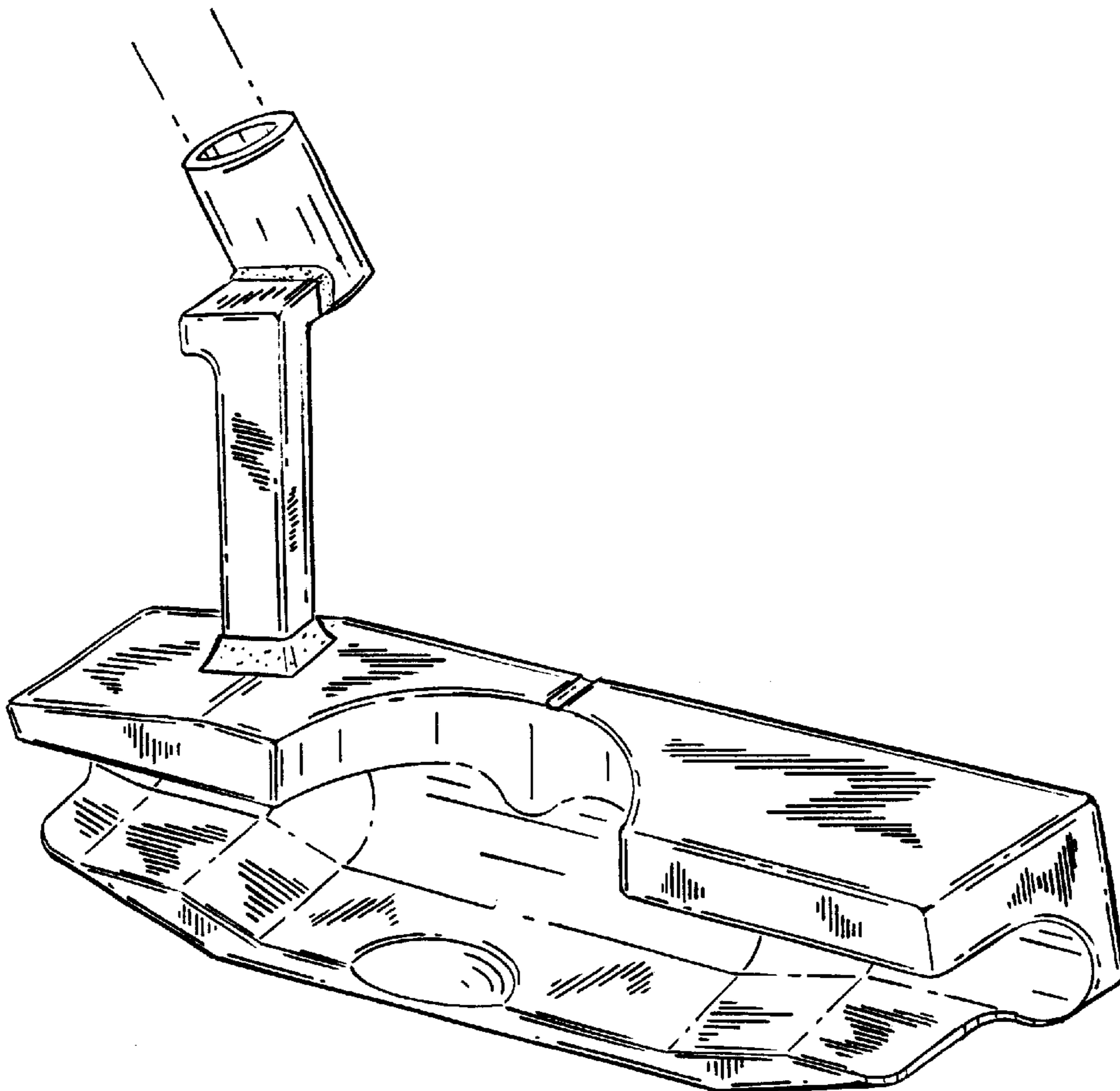
FIG. 6 is a toe end elevational view thereof.

FIG. 7 is a heel end elevational view thereof; and,

FIG. 8 is a rear perspective of a second embodiment of the putter type golf club head as disclosed in FIG. 1, the undisclosed sides are identical to that disclosed in the first embodiment.

The broken line showing is for illustrative purposes only and forms no part of the claimed design.

1 Claim, 3 Drawing Sheets



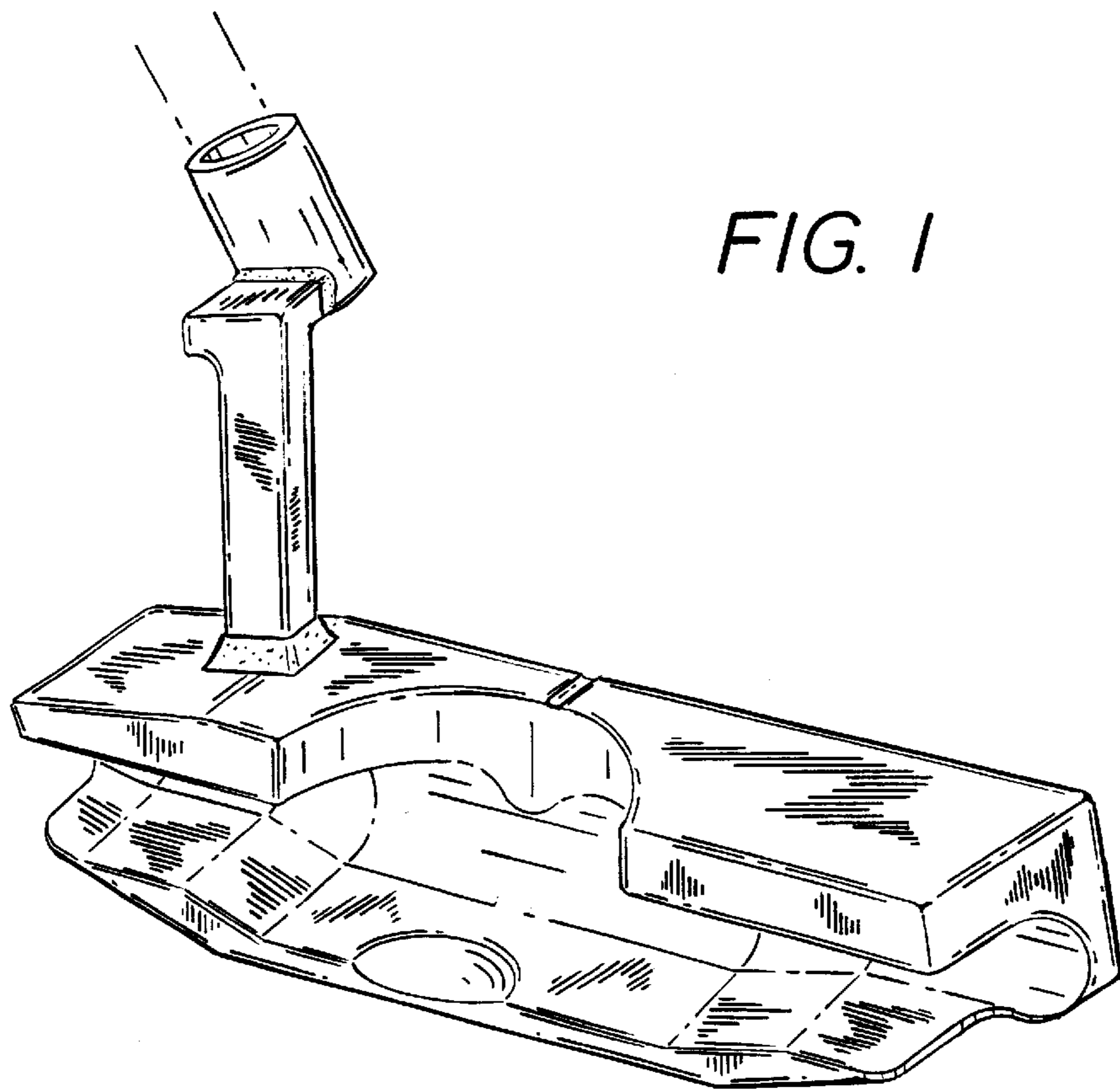


FIG. 1

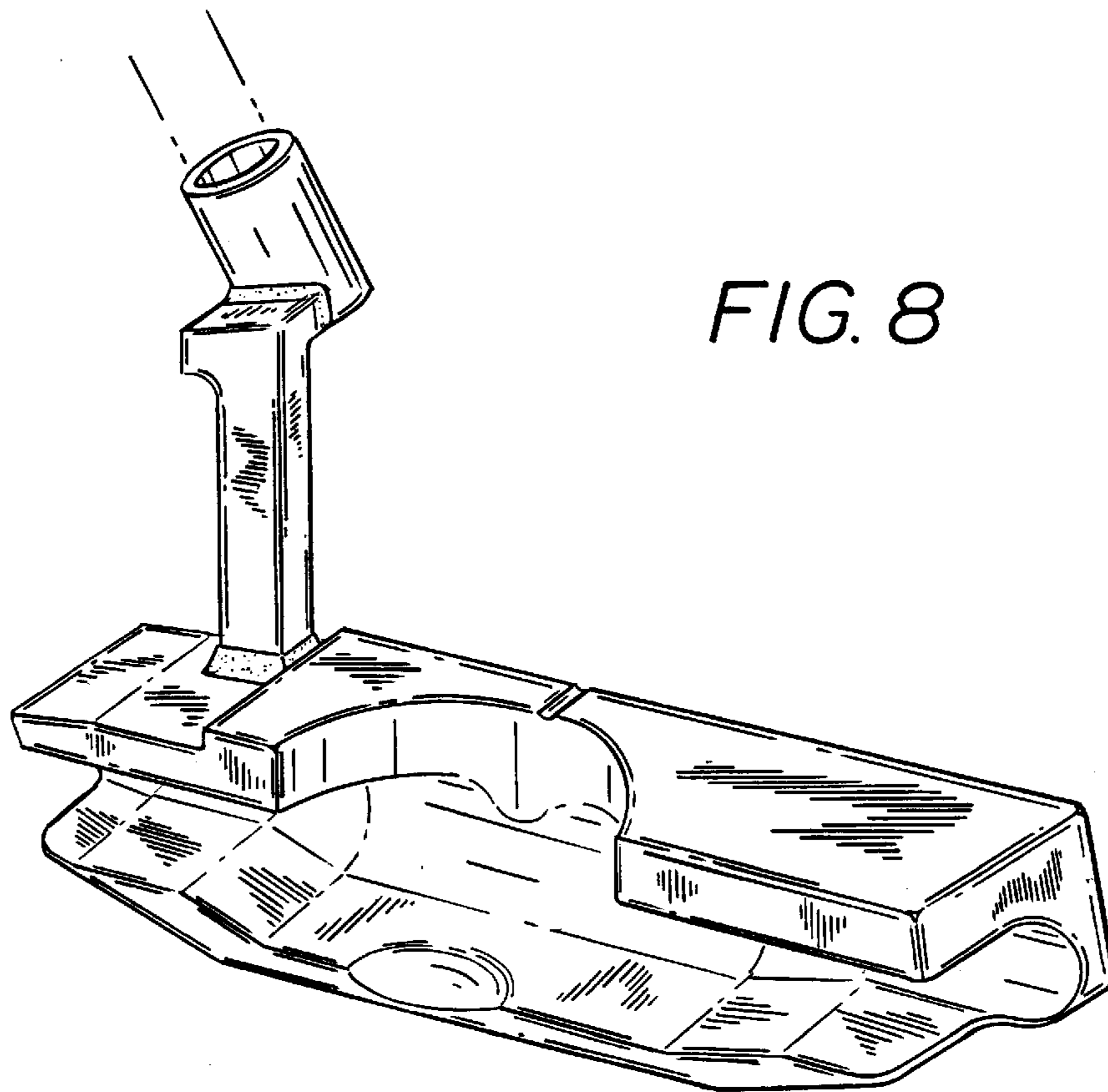


FIG. 8

FIG. 2

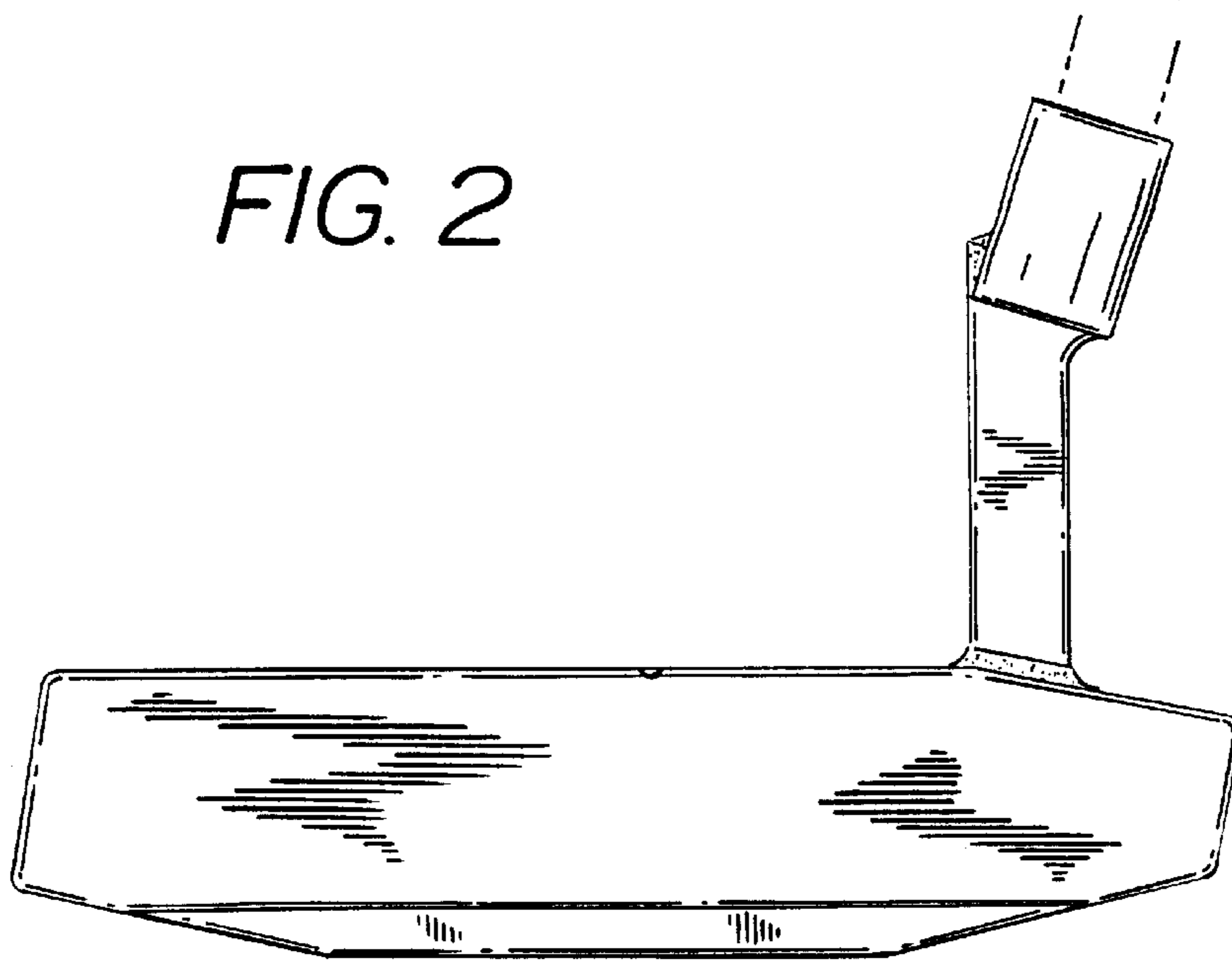


FIG. 3

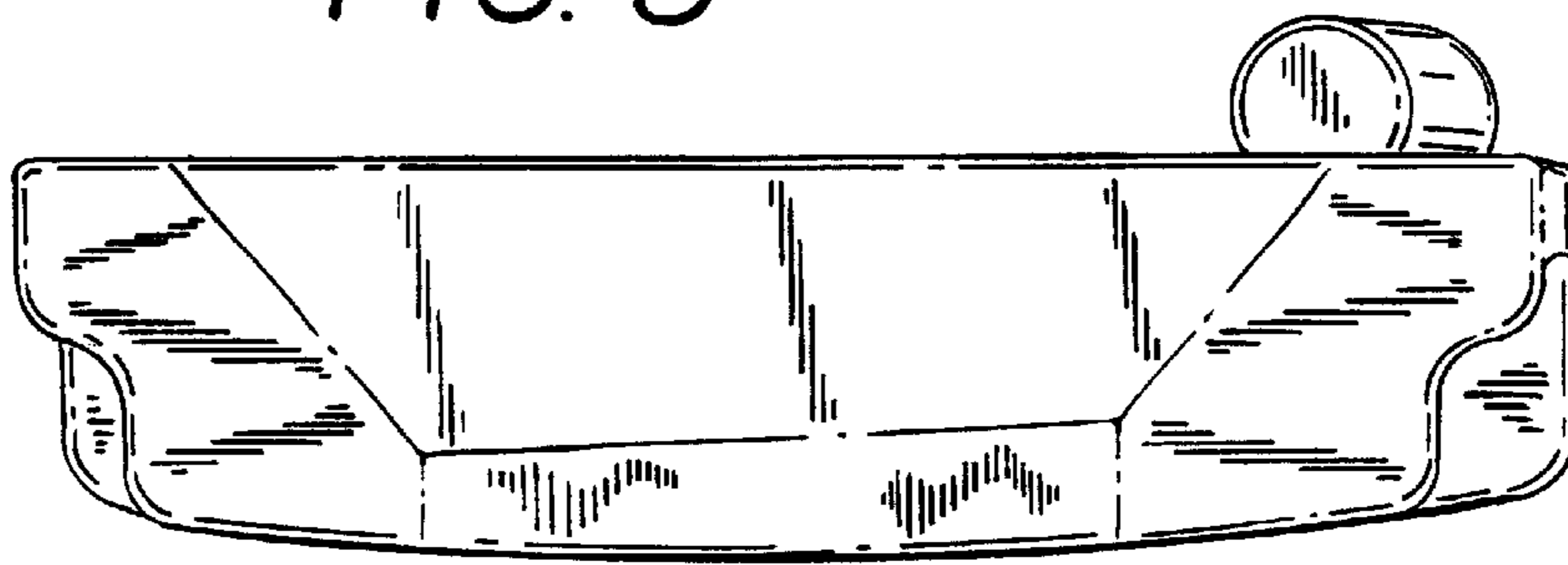
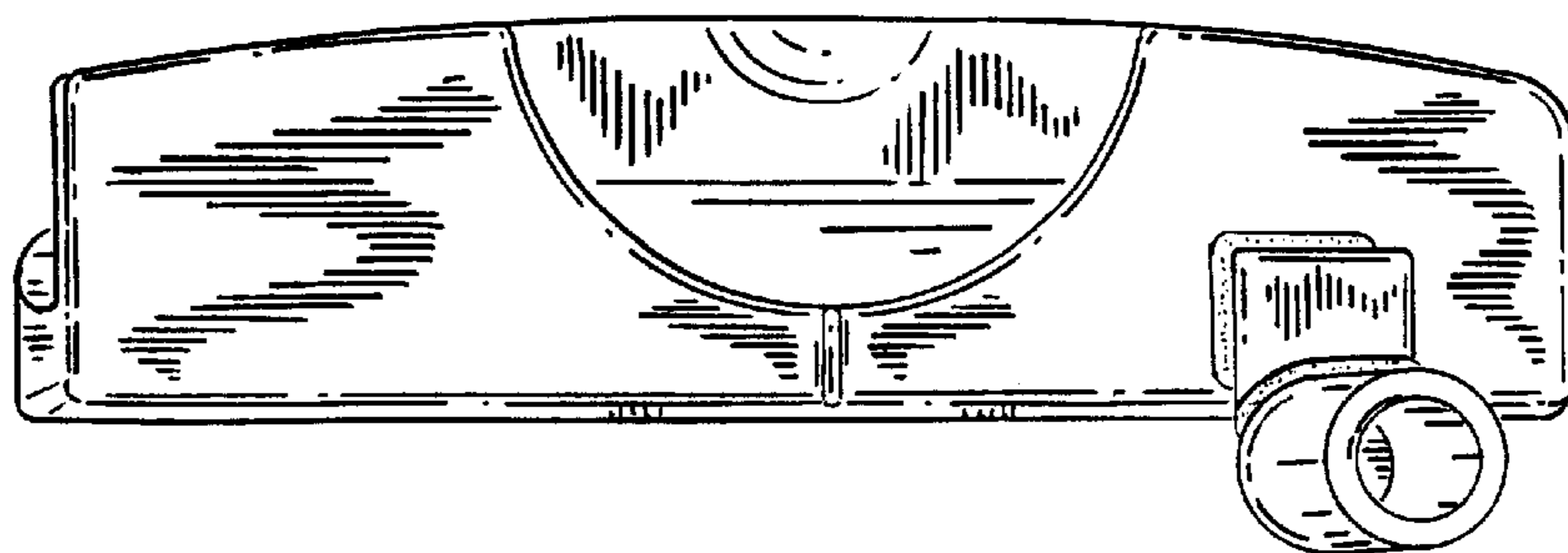


FIG. 4



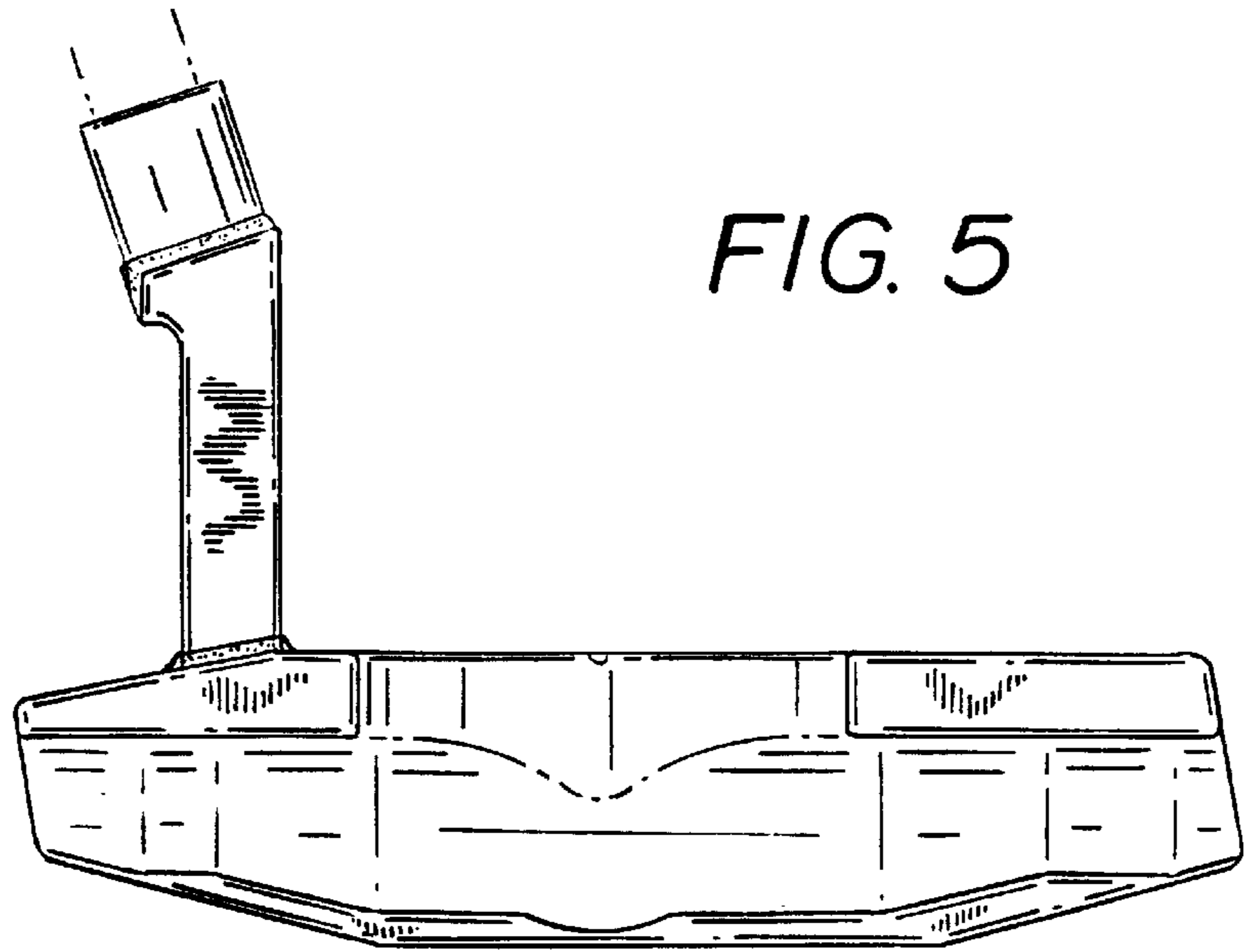


FIG. 5

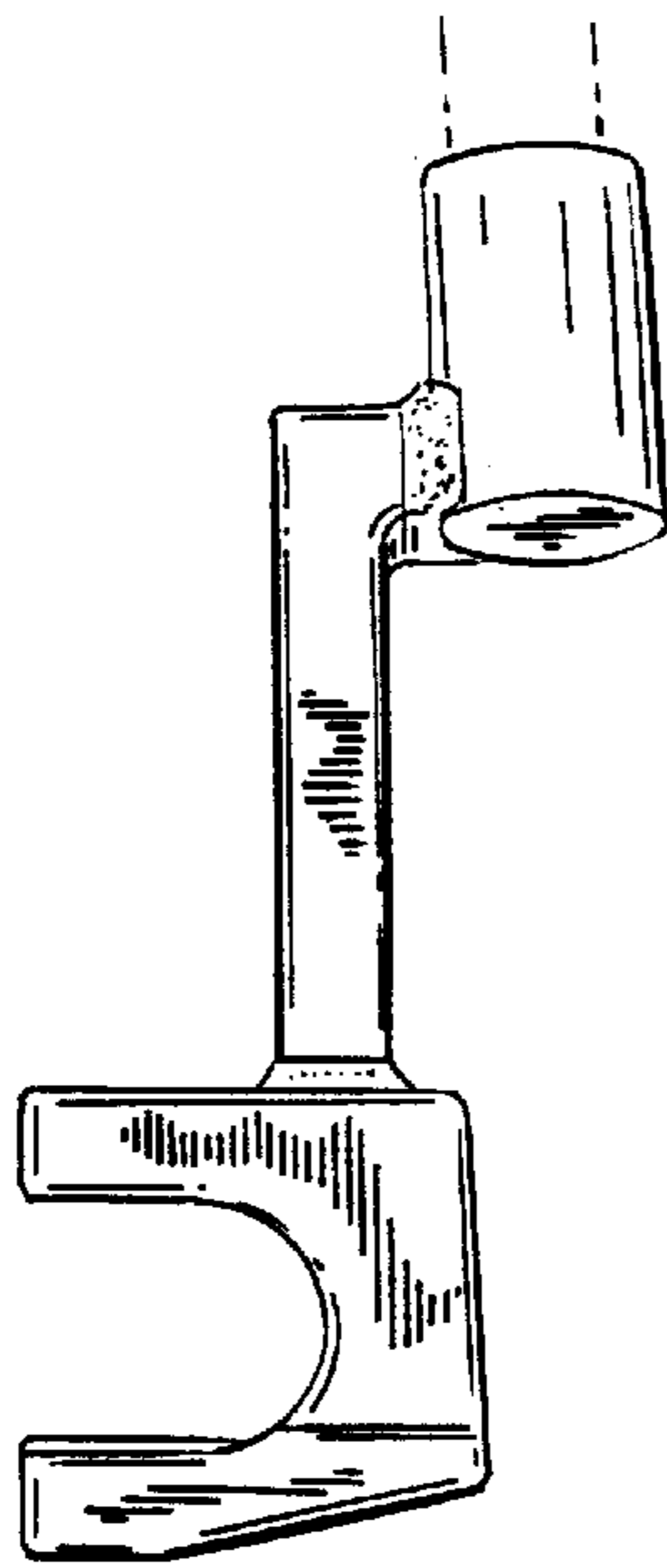


FIG. 6

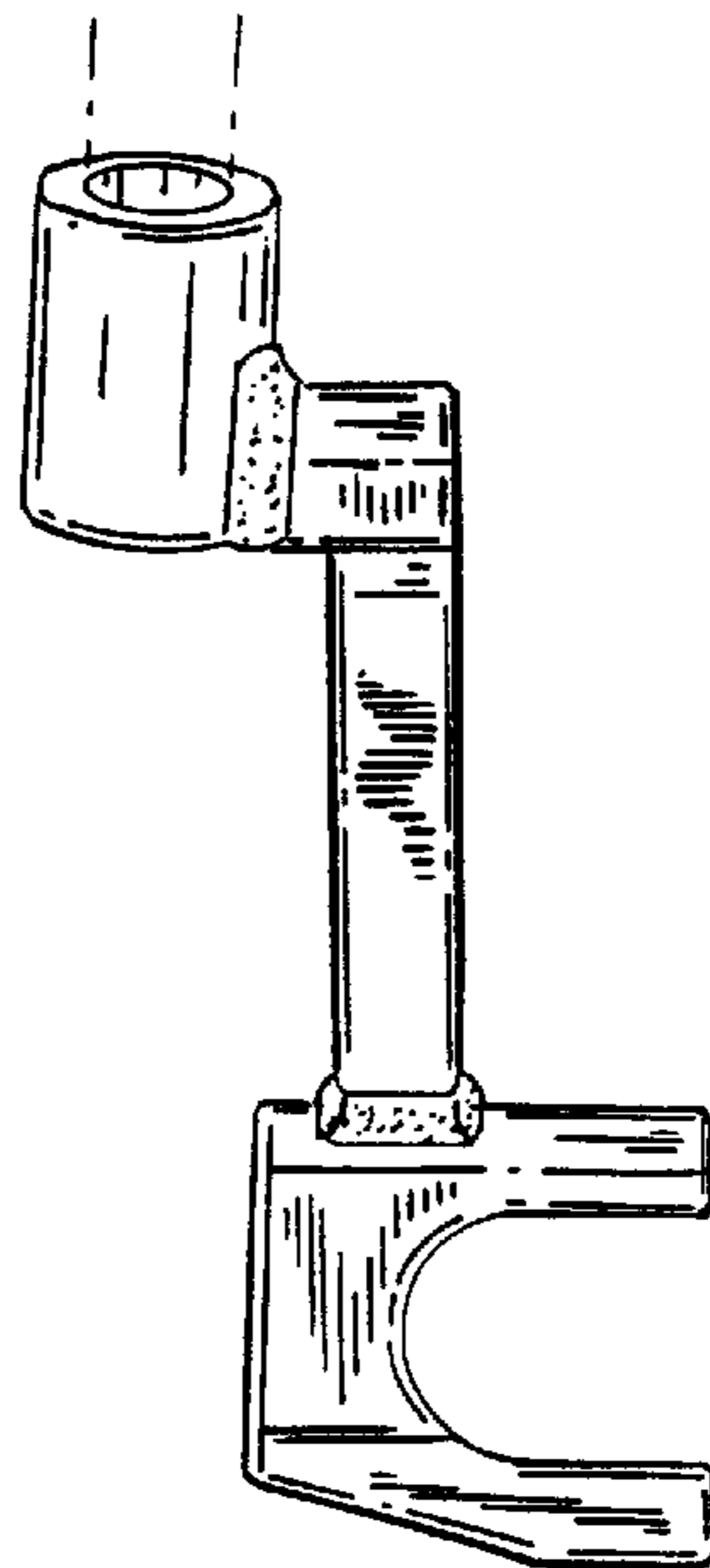


FIG. 7