



US00D441035S

(12) **United States Design Patent**  
**Yam**

(10) **Patent No.:** **US D441,035 S**

(45) **Date of Patent:** **\*\* Apr. 24, 2001**

(54) **SURFACE FOR A USER PLATE OF A SCOOTER**

(75) Inventor: **Johnny J. C. Yam**, Claremont, CA (US)

(73) Assignee: **Sun Rams Products, Inc.**, Rancho Cucamonga, CA (US)

(\*\*) Term: **14 Years**

(21) Appl. No.: **29/124,903**

(22) Filed: **Jun. 12, 2000**

(51) **LOC (7) Cl.** ..... **21-01**

(52) **U.S. Cl.** ..... **D21/423**

(58) **Field of Search** ..... D21/419, 421, D21/423, 424, 426, 435, 533, 760, 765, 771; D12/107, 110-112, 117; 280/87.01, 87.021, 87.041, 87.042; 180/181, 216

(56) **References Cited**

**U.S. PATENT DOCUMENTS**

D. 433,654	*	11/2000	Gorvine et al.	.....	D21/423
D. 433,718	*	11/2000	McGreen	.....	D21/423
1,227,888		5/1917	Converse .		
4,552,372	*	11/1985	Jones	.....	280/87.041
4,707,884		11/1987	Chang	.....	16/113
4,799,701	*	1/1989	Lindau	.....	280/87.041
4,821,832		4/1989	Patmont	.....	180/208
5,150,762		9/1992	Stegeman et al.	.....	180/208
5,816,614		10/1998	Kramer, Jr. et al.	.....	280/775
5,927,733		7/1999	Banda	.....	280/87.041
6,120,044	*	9/2000	Tsai	.....	280/87.041

**OTHER PUBLICATIONS**

Photo of "Lazor" scooter from Ebay web site, 1 page (labeled 3 of 5), published at least as early as Jun. 2, 2000.  
Photo of "Just Go" scooter from Ebay web site, 1 page (labeled 3 of 6), published at least as early as Jun. 2, 2000.

\* cited by examiner

*Primary Examiner*—Raphael Barkai

(74) *Attorney, Agent, or Firm*—Law Office of Marc D. Machtinger, Ltd.

(57) **CLAIM**

The ornamental design for a "surface for a user plate of a scooter", as shown and described.

**DESCRIPTION**

A portion of the disclosure of this patent document contains material for which a claim for copyright is made. The copyright owner has no objection to the facsimile reproduction by anyone of the patent document or the patent disclosure, as it appears in the Patent and Trademark Office patent file or records, but reserves all other copyright rights whatsoever.

FIG. 1 is a perspective view of the surface for a user plate of a scooter showing my new design;

FIG. 2 is a frontal view thereof, the back view being a plain and unornamented mirror image thereto;

FIG. 3 is a top view thereof, the bottom view being identical in mirror image thereto;

FIG. 4 is a right side view thereof;

FIG. 5 is a left side view thereof, and,

FIG. 6 is a front view of a modified embodiment of the design shown in FIGS. 1-5.

Features shown in broken lines in the drawings are not part of the claim.

**1 Claim, 3 Drawing Sheets**

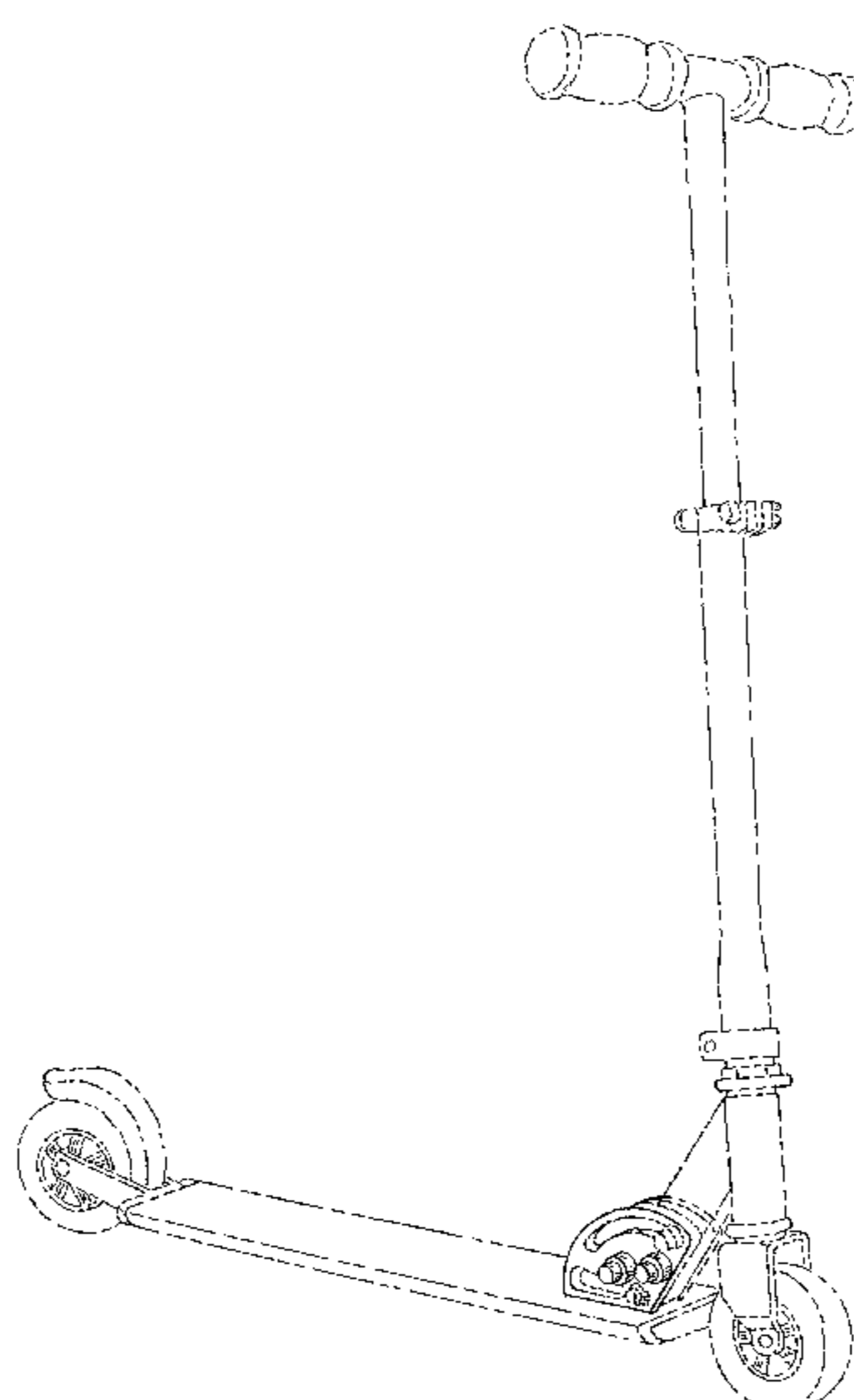


FIG. 1

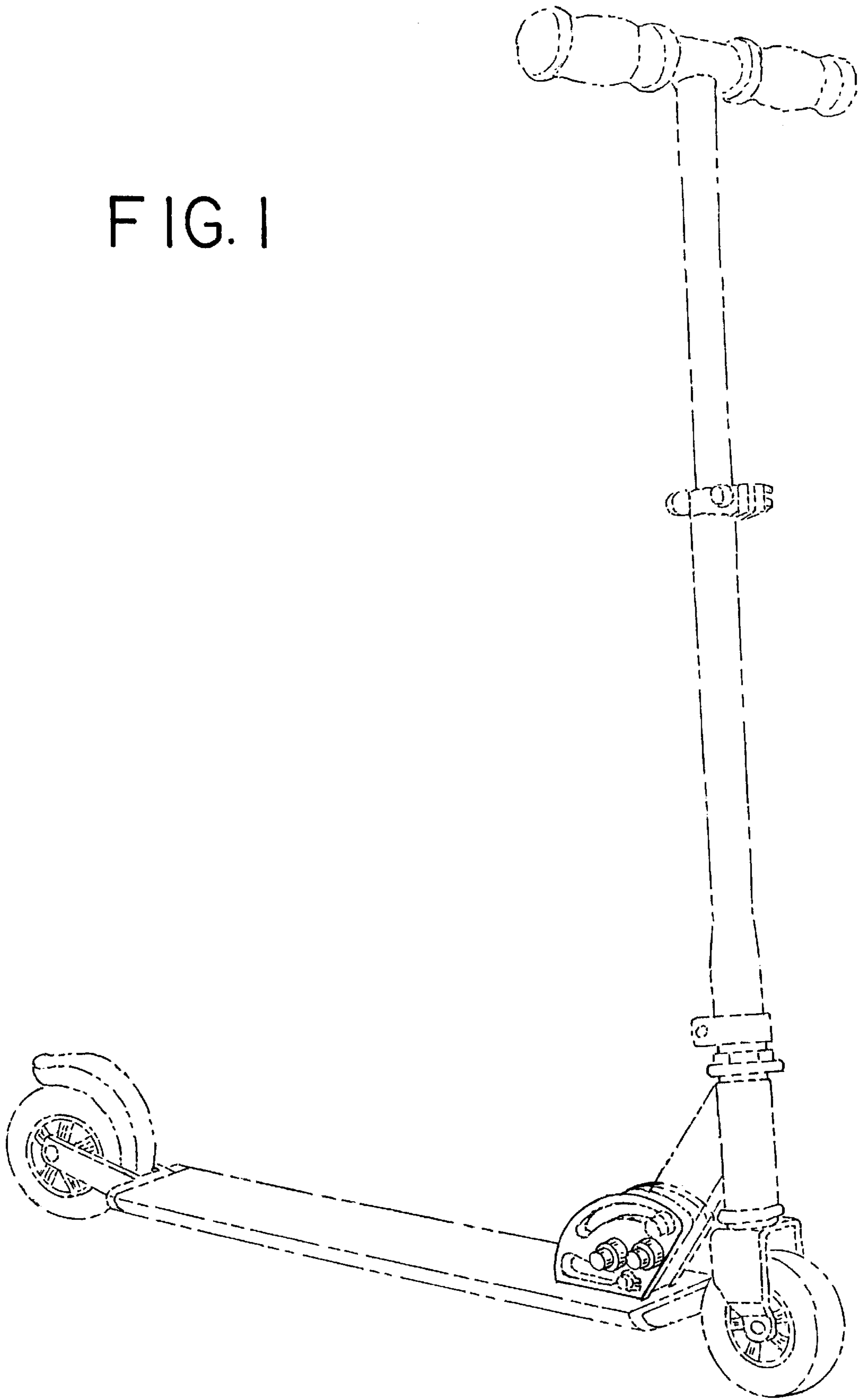


FIG. 2

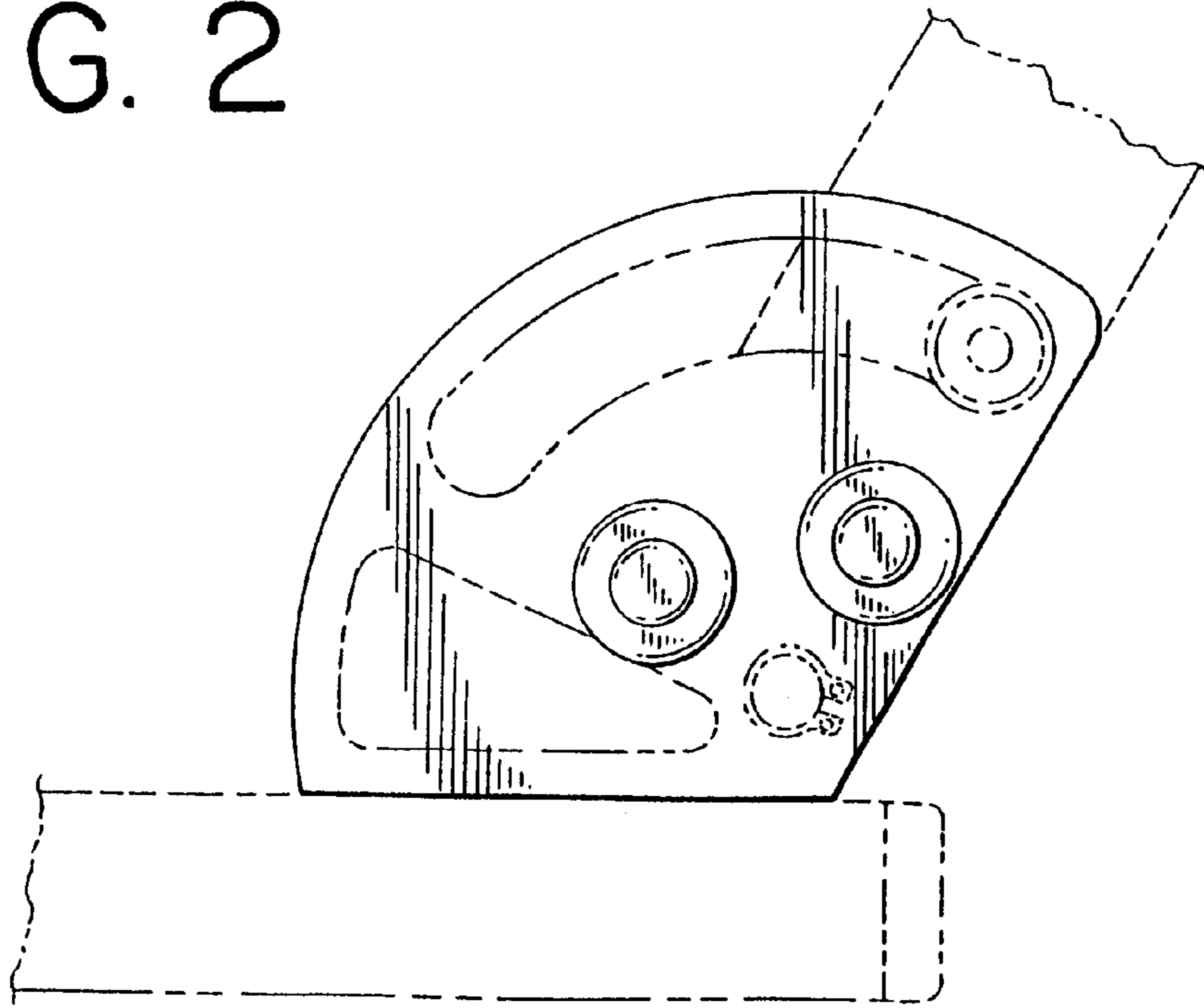


FIG. 3

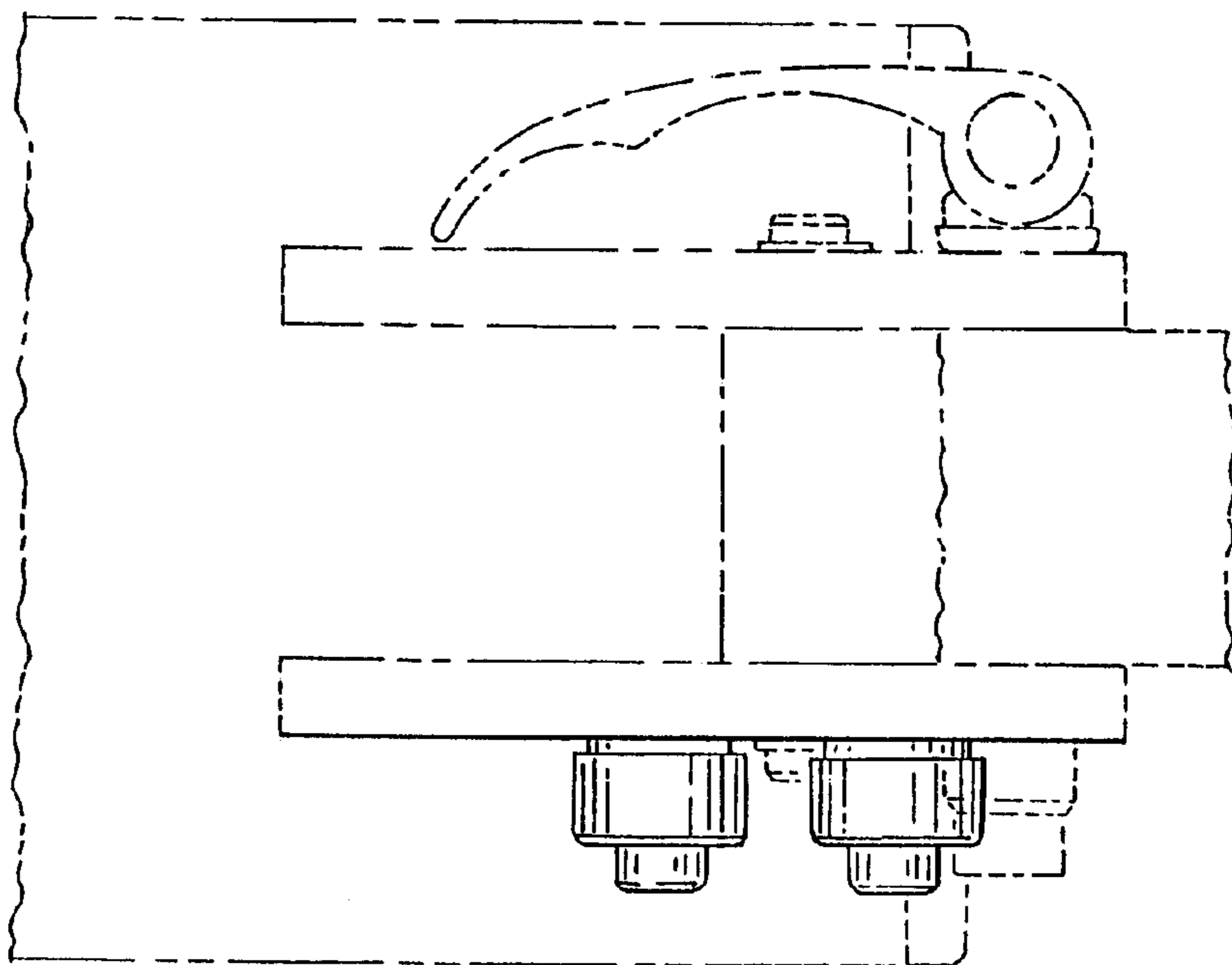


FIG. 4

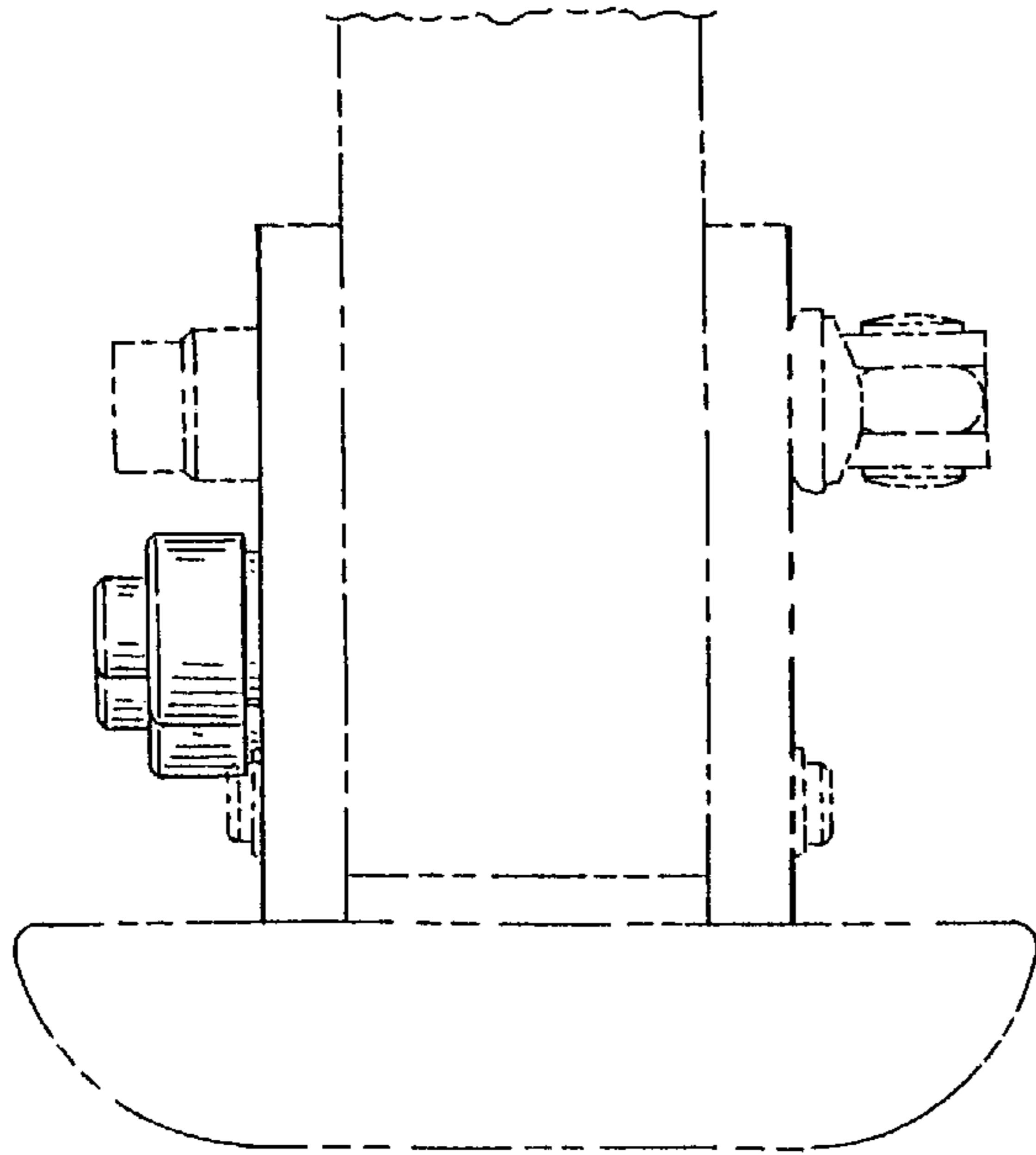


FIG. 5

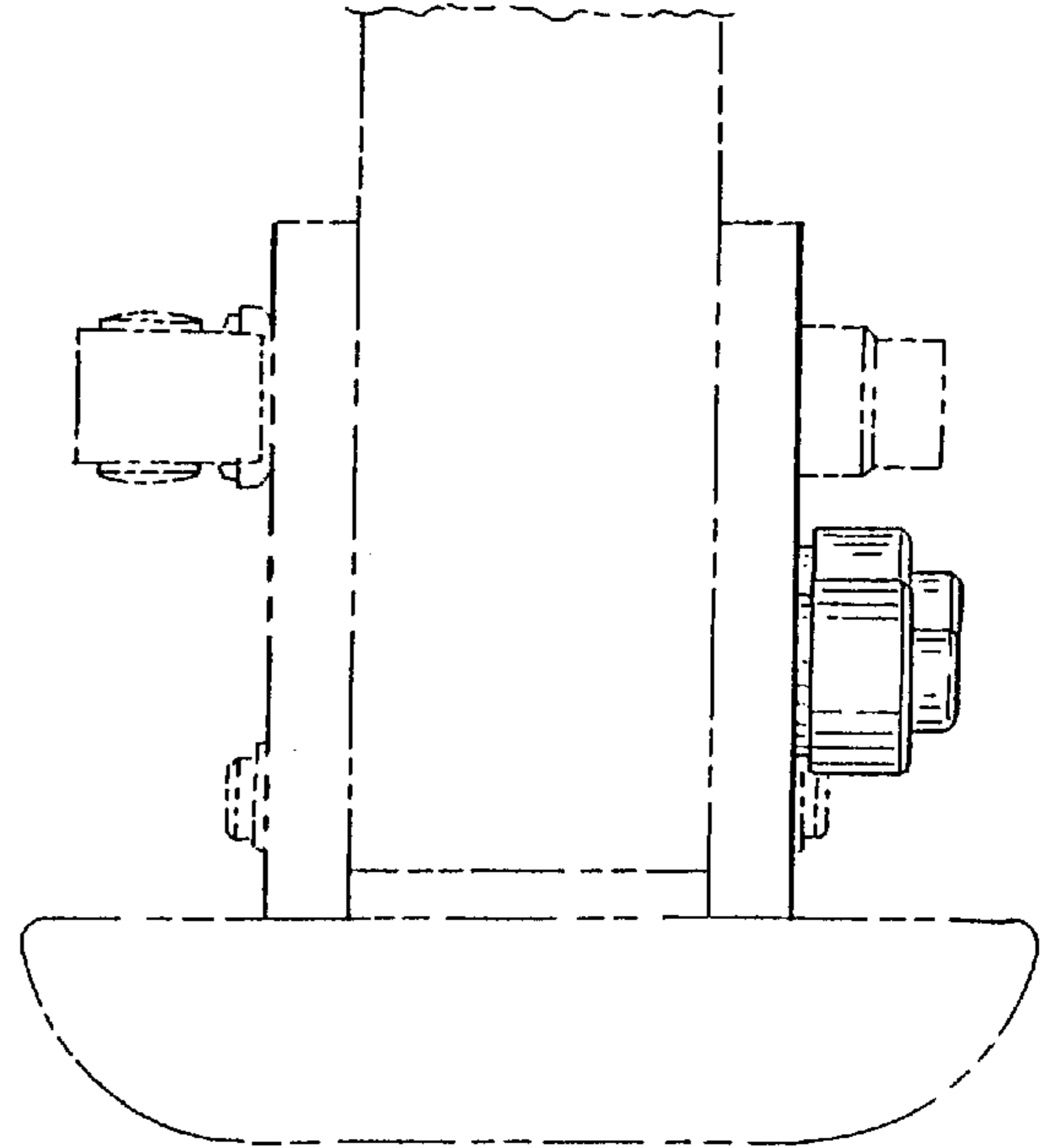


FIG. 6

