



US00D441034S

(12) **United States Design Patent**
Li

(10) **Patent No.:** **US D441,034 S**

(45) **Date of Patent:** **** Apr. 24, 2001**

(54) **NOISEMAKER**

D. 317,632 * 6/1991 Mariol D21/406
2,130,427 * 9/1938 Hoover 446/418

(75) Inventor: **San Tung Li**, Tuen Mun (CN)

* cited by examiner

(73) Assignee: **Kord Gifts Manufactory Limited**,
Hong Kong (CN)

Primary Examiner—Dominic Simone

(74) *Attorney, Agent, or Firm*—Alix, Yale & Ristas, LLP

(**) Term: **14 Years**

(57) **CLAIM**

(21) Appl. No.: **29/118,858**

The ornamental design for a noisemaker, as shown and described.

(22) Filed: **Feb. 17, 2000**

DESCRIPTION

(51) **LOC (7) Cl.** **21-01**

(52) **U.S. Cl.** **D21/406**

(58) **Field of Search** D21/405, 406;
D17/22; 446/418, 419

FIG. 1 is a front perspective view of the noisemaker showing my new design;

FIG. 2 is a front view of the noisemaker of FIG. 1;

FIG. 3 is a left side view of the noisemaker of FIG. 1;

FIG. 4 is a top plan view of the noisemaker of FIG. 1;

FIG. 5 is a rear view of the noisemaker of FIG. 1;

FIG. 6 is a right side view of the noisemaker of FIG. 1; and,

FIG. 7 is a bottom plan view of the noisemaker of FIG. 1.

(56) **References Cited**

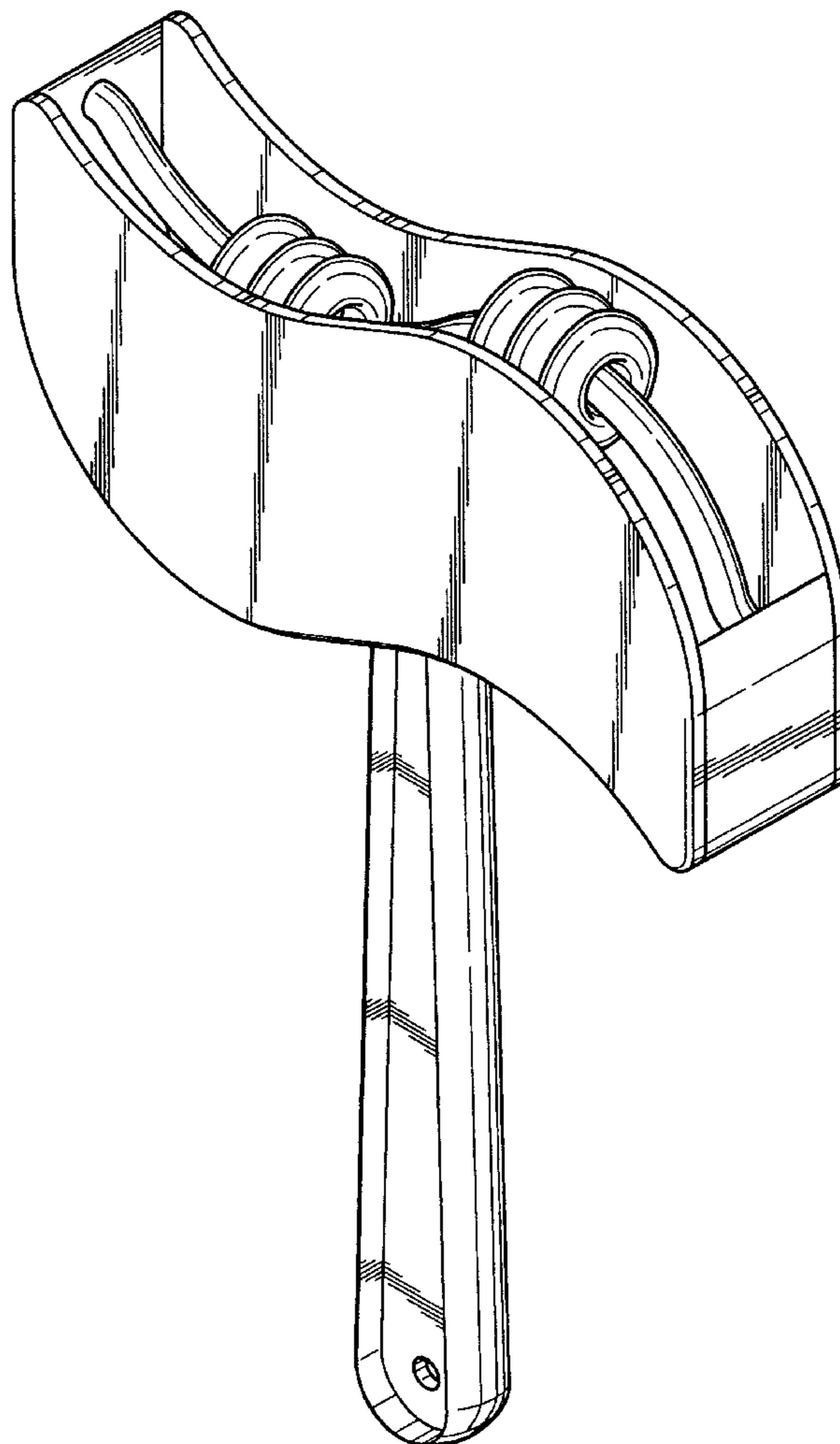
U.S. PATENT DOCUMENTS

D. 73,752 * 11/1927 Marks D21/406

D. 263,608 * 3/1982 Loewenton D21/406

D. 278,642 * 4/1985 Martinez D21/406

1 Claim, 3 Drawing Sheets



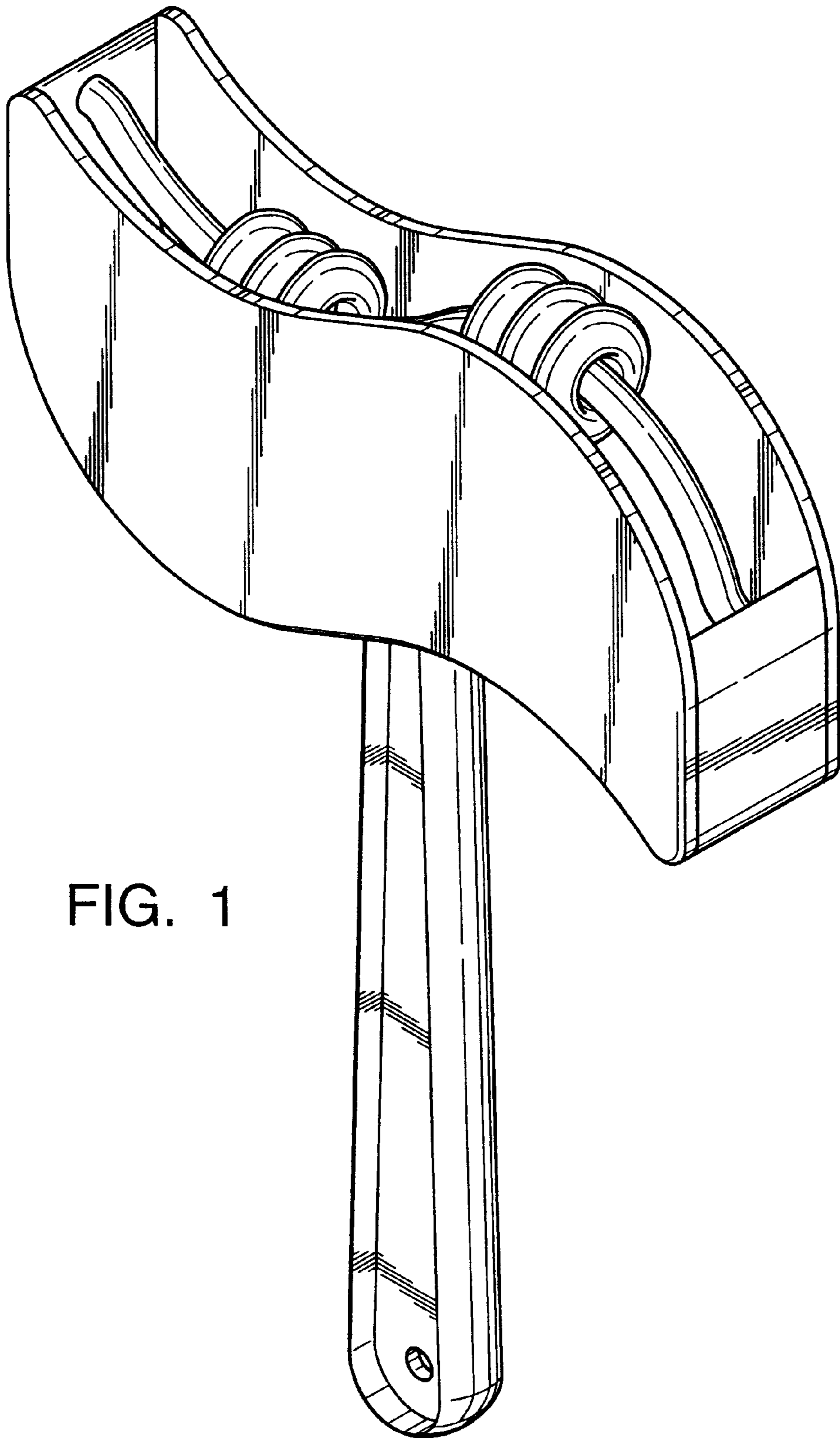


FIG. 1

FIG. 4

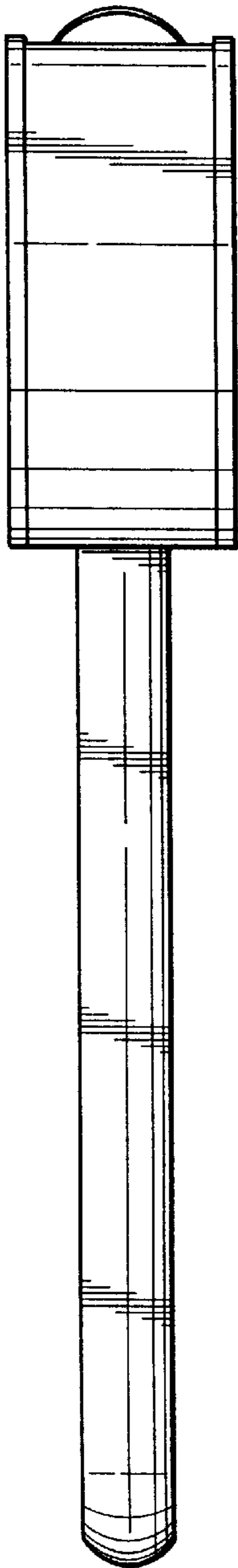
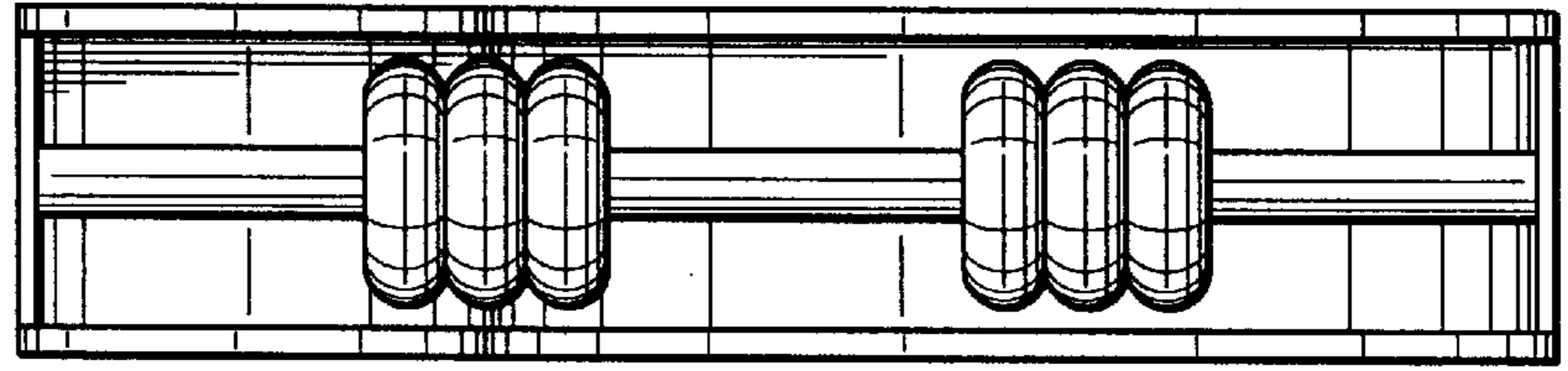


FIG. 3

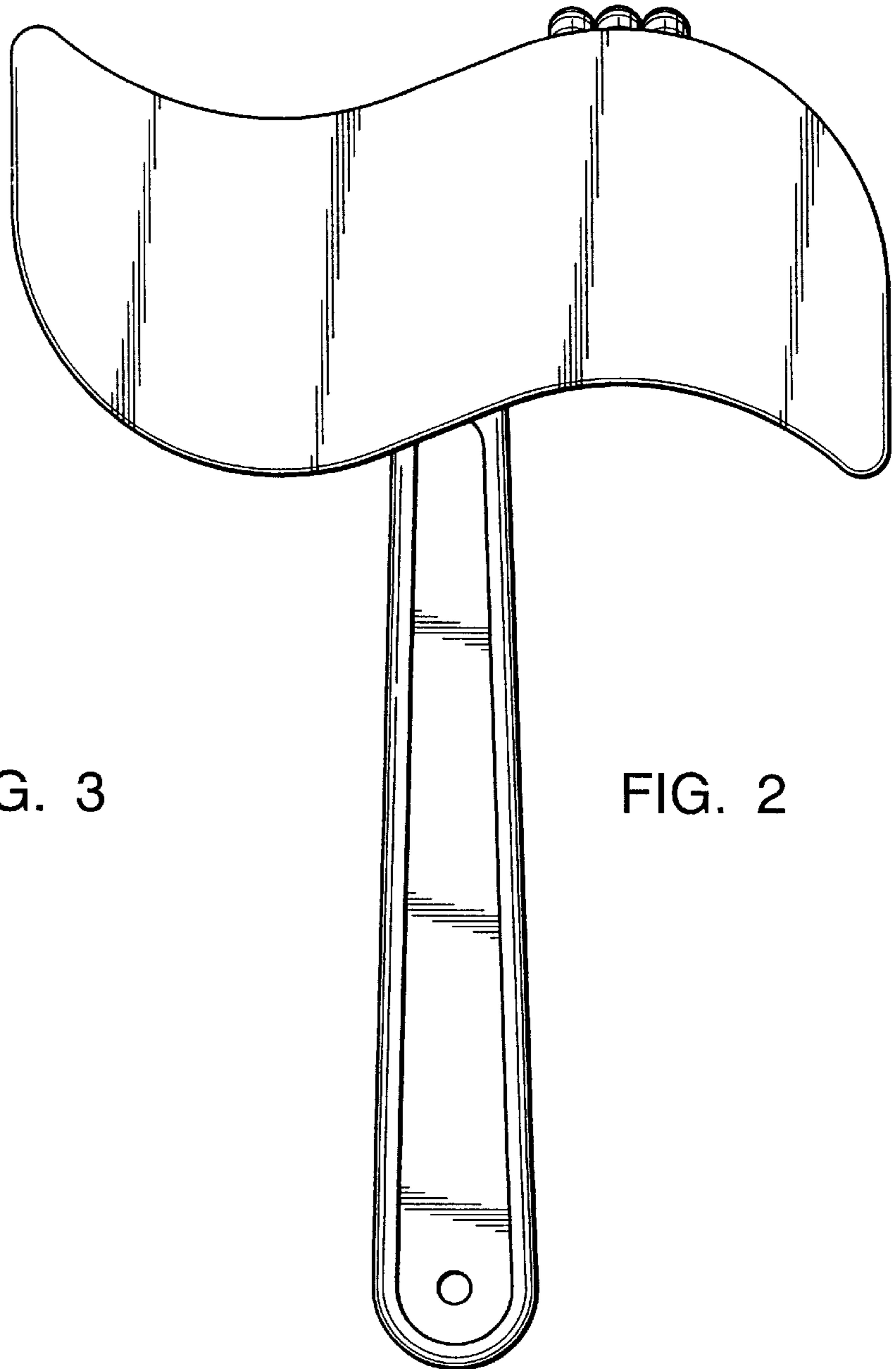


FIG. 2

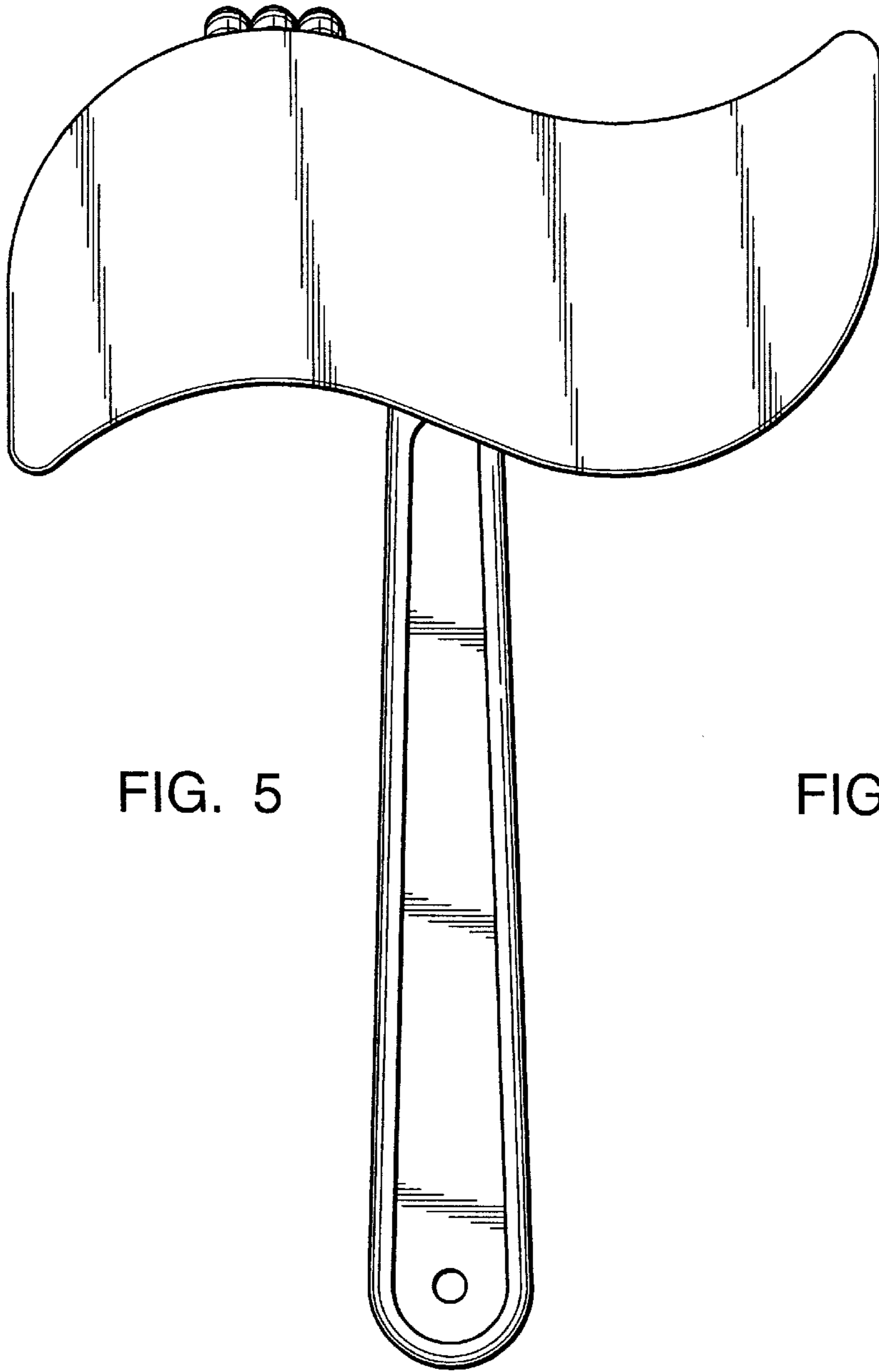


FIG. 5

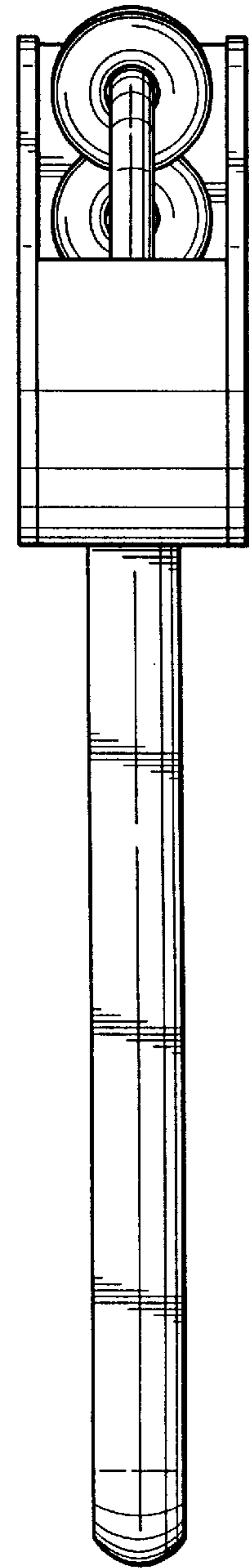


FIG. 6

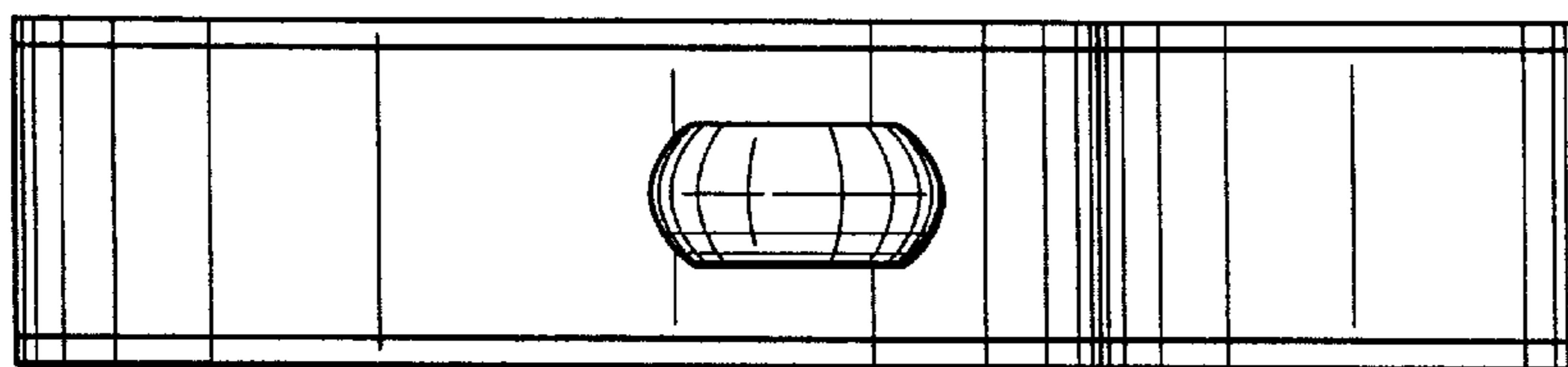


FIG. 7