



US00D441033S

(12) **United States Design Patent**  
**Li**

(10) **Patent No.:** **US D441,033 S**

(45) **Date of Patent:** **\*\* Apr. 24, 2001**

(54) **NOISEMAKER**

(75) Inventor: **San Tung Li**, Tuen Mun (CN)

(73) Assignee: **Kord Gifts Manufactory Limited**,  
Tuen Mun (CN)

(\*\*) Term: **14 Years**

(21) Appl. No.: **29/116,788**

(22) Filed: **Jan. 11, 2000**

(51) **LOC (7) Cl.** ..... **21-01**

(52) **U.S. Cl.** ..... **D21/405**

(58) **Field of Search** ..... D21/405, 411;  
446/176, 202, 204, 205, 207, 209, 397

(56) **References Cited**

**U.S. PATENT DOCUMENTS**

- D. 105,188 \* 6/1937 Stewart ..... D21/405
- 4,447,250 \* 5/1984 Wolens et al. .... 446/202 X
- 5,110,316 \* 5/1992 Shaw et al. .... 446/202

**OTHER PUBLICATIONS**

Oriental Trading Company, Inc. Holdiay 124 Catalog; p. 99;  
#9/91 101/2- Paper Blow-Outs, Sep. 1995.\*

\* cited by examiner

*Primary Examiner*—Dominic Simone

(74) *Attorney, Agent, or Firm*—Alix, Yale & Ristas, LLP

(57) **CLAIM**

The ornamental design for a noisemaker, as shown and described.

**DESCRIPTION**

FIG. 1 is a front perspective view of the noisemaker showing my new design;

FIG. 2 is a front view of the noisemaker of FIG. 1;

FIG. 3 is a rear view of the noisemaker of FIG. 1;

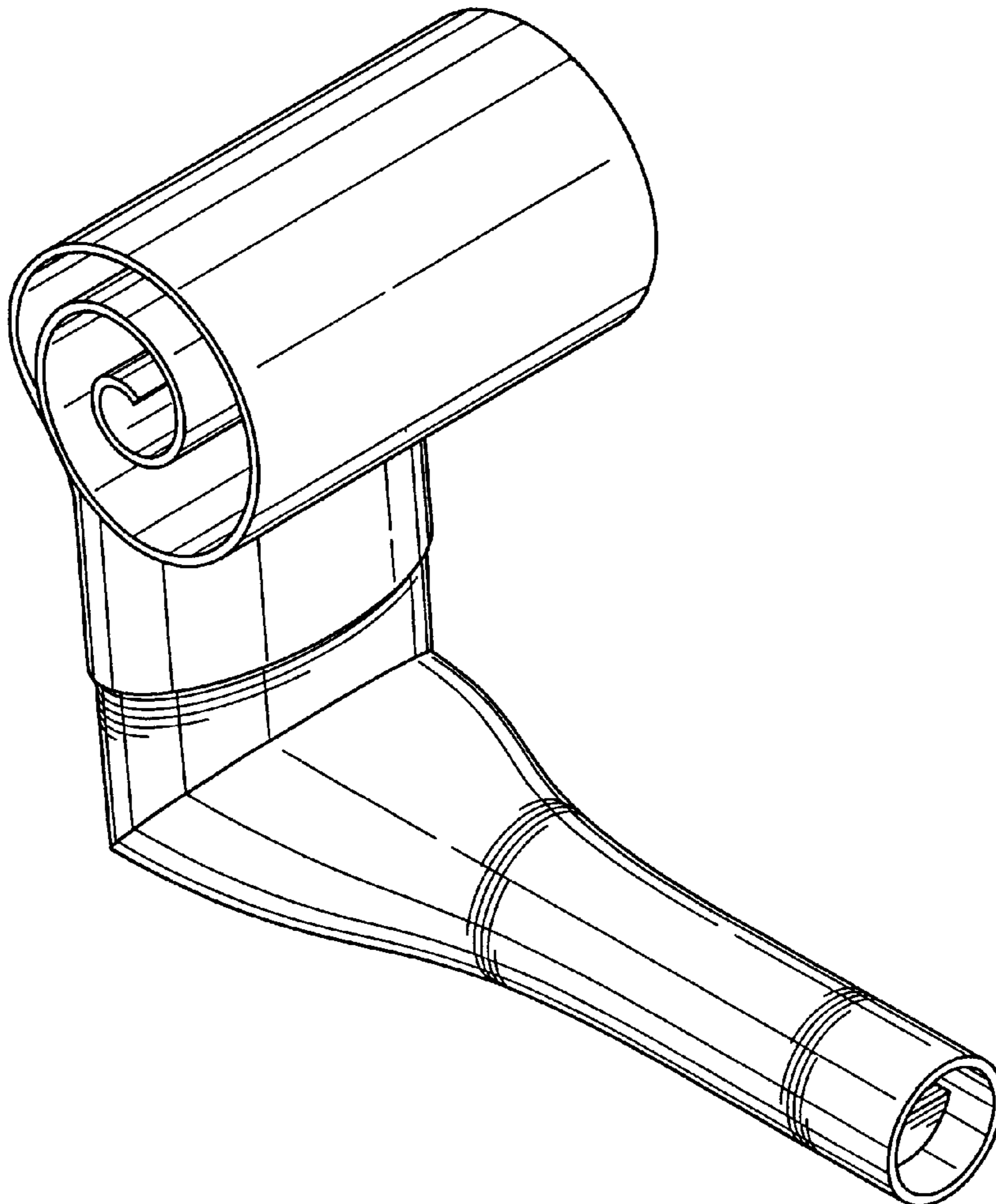
FIG. 4 is a left side view of the noisemaker of FIG. 1;

FIG. 5 is a right side view of the noisemaker of FIG. 1;

FIG. 6 is a top plan view of the noisemaker of FIG. 1; and,

FIG. 7 is a bottom plan view of the noisemaker of FIG. 1.

**1 Claim, 4 Drawing Sheets**



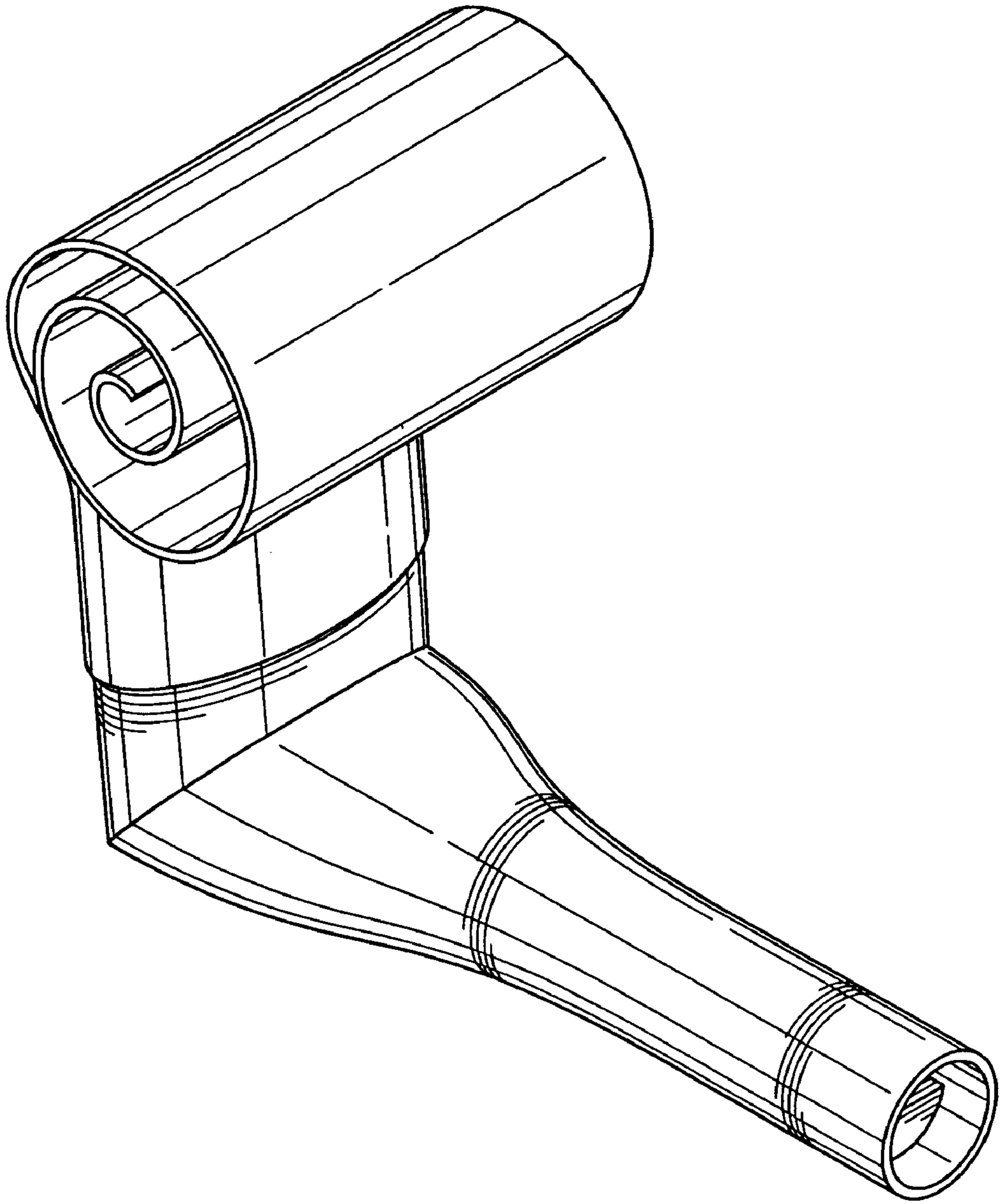


FIG. 1

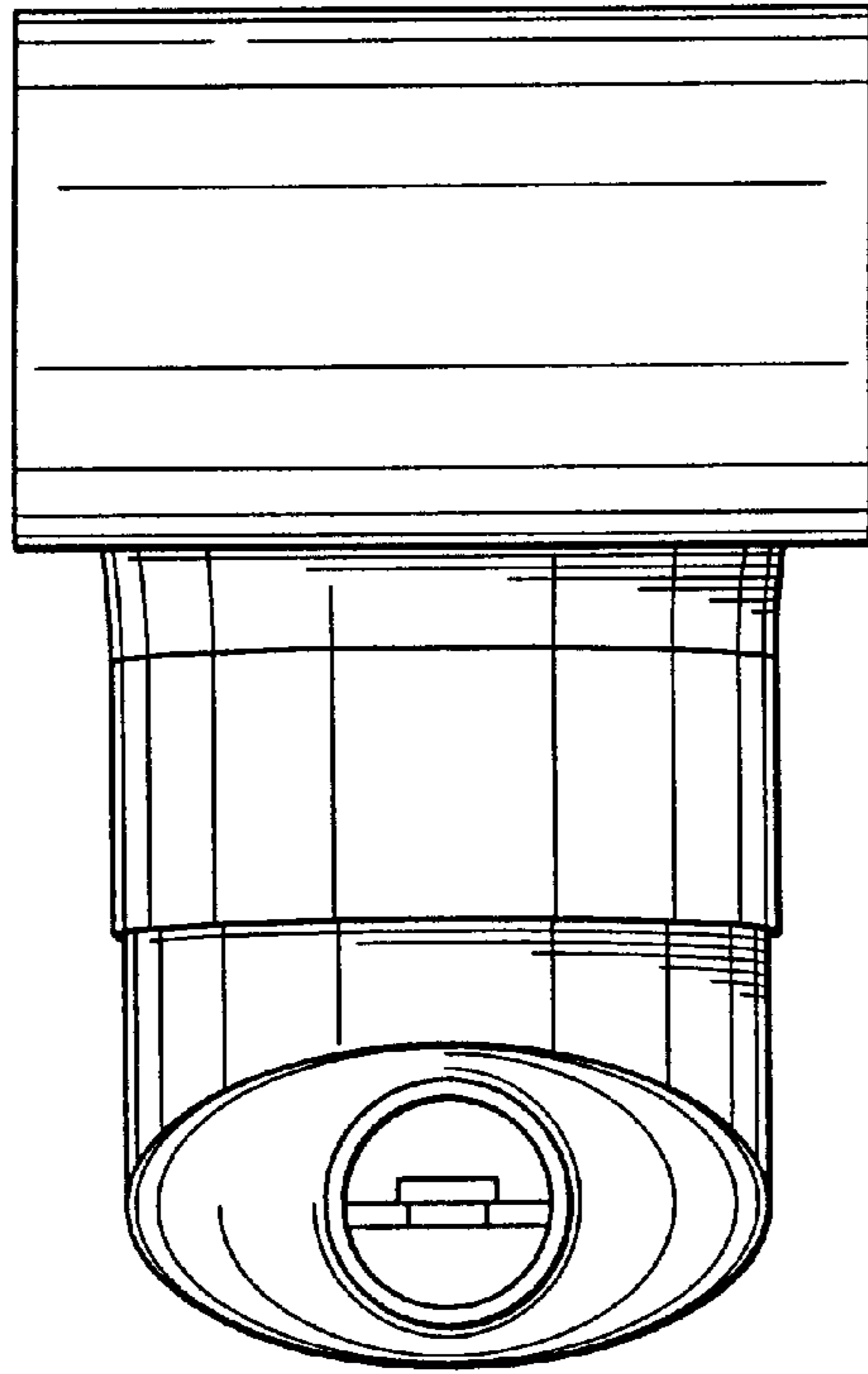


FIG. 2

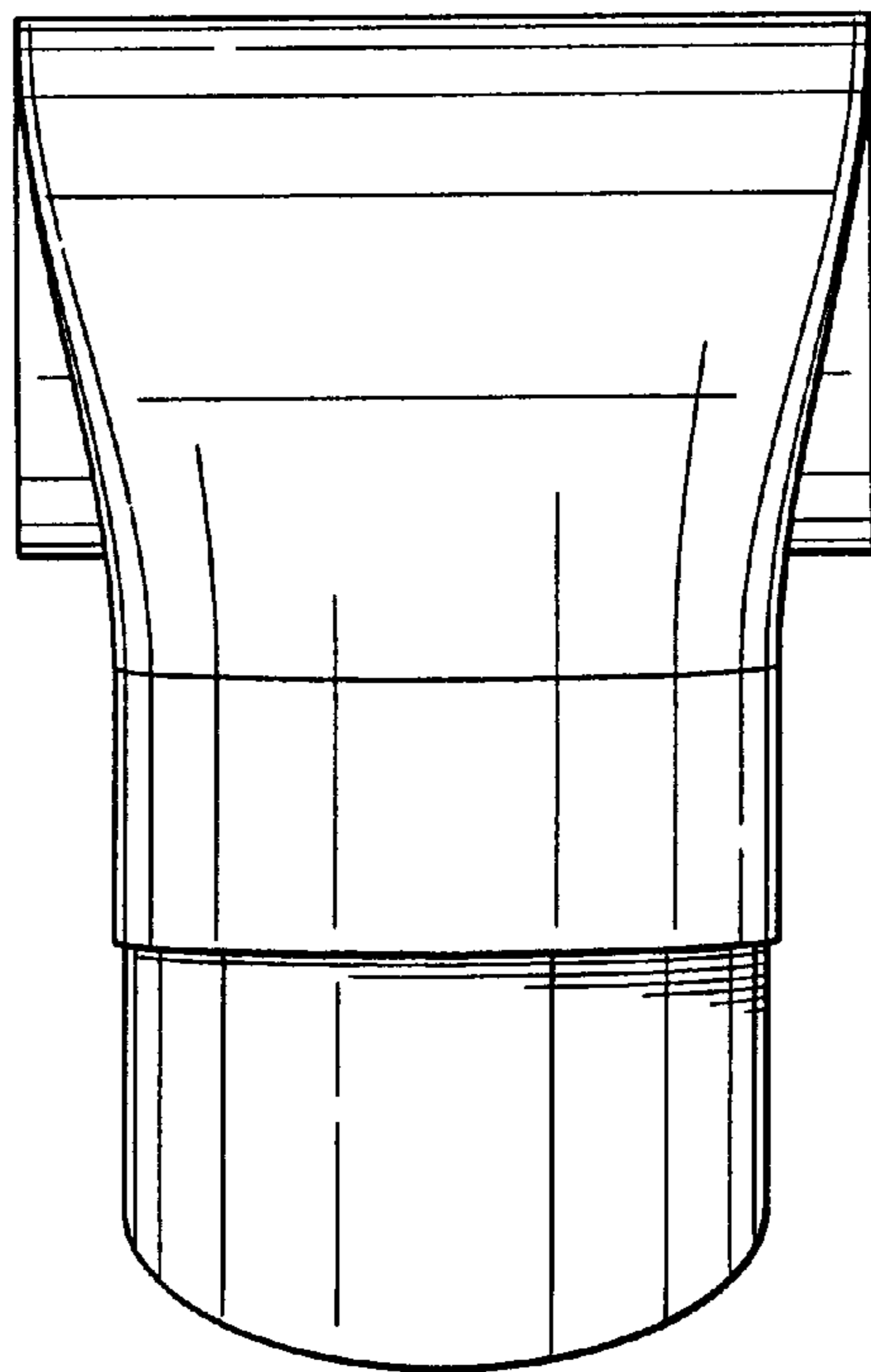


FIG. 3

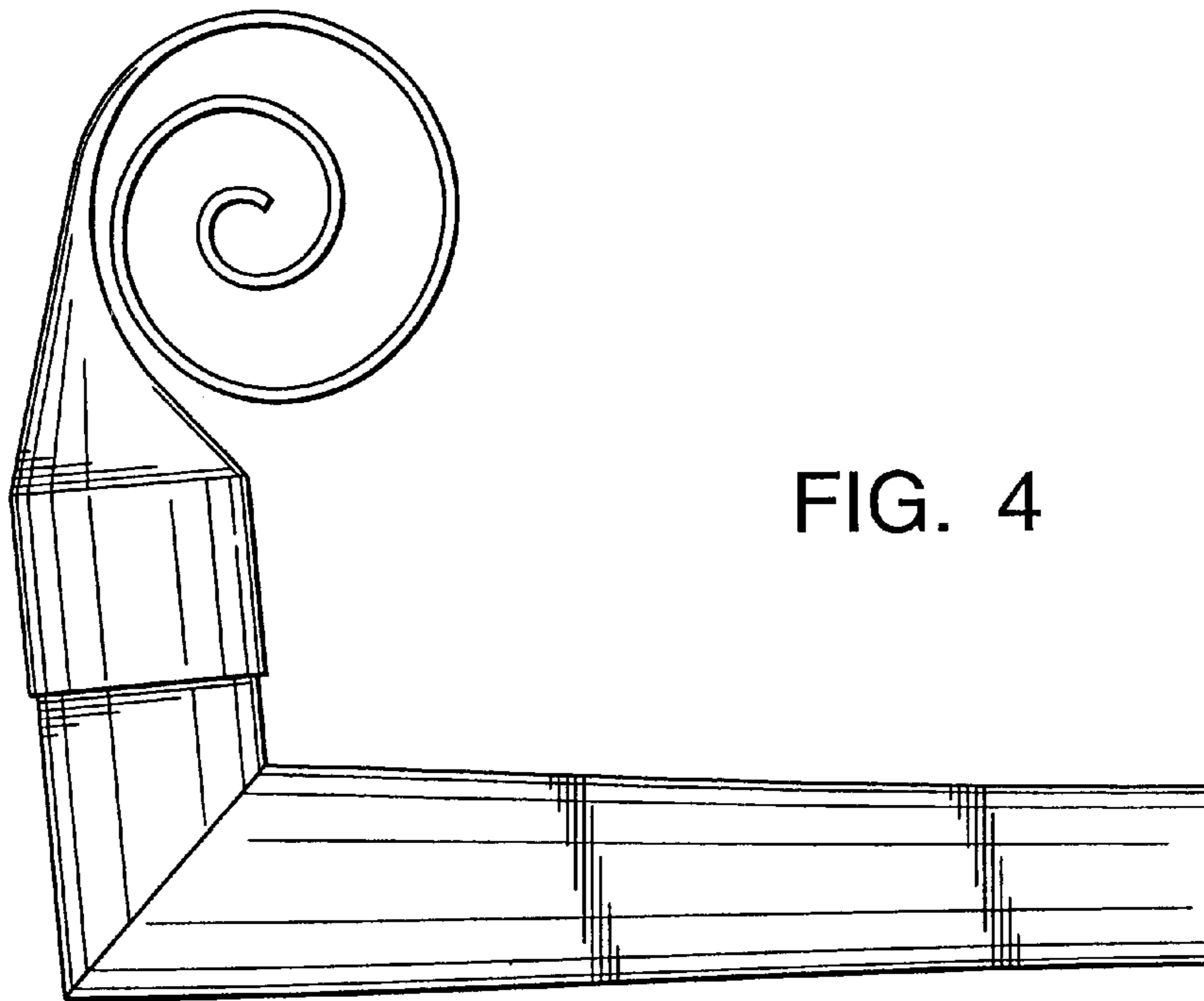


FIG. 4

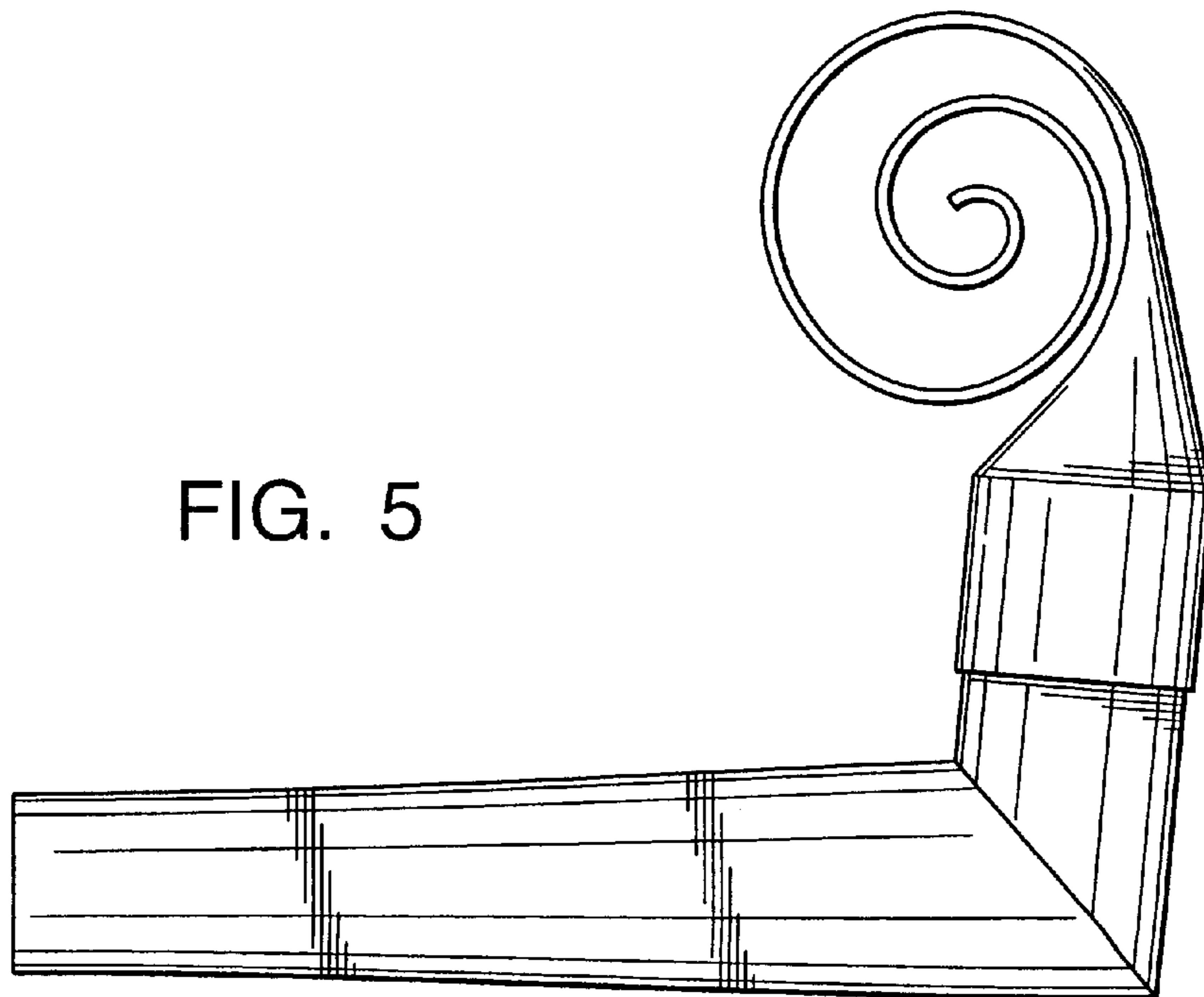


FIG. 5

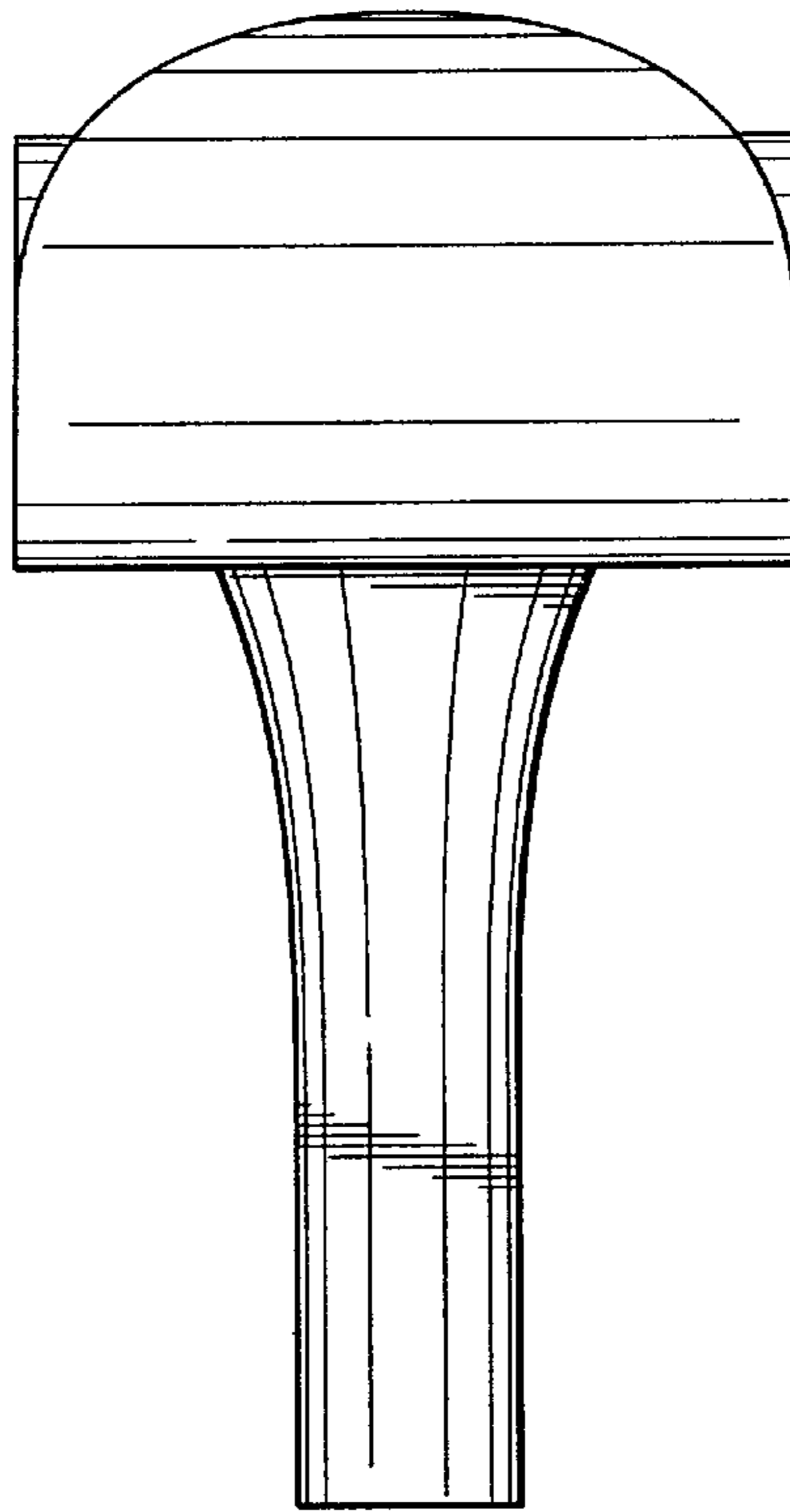


FIG. 6

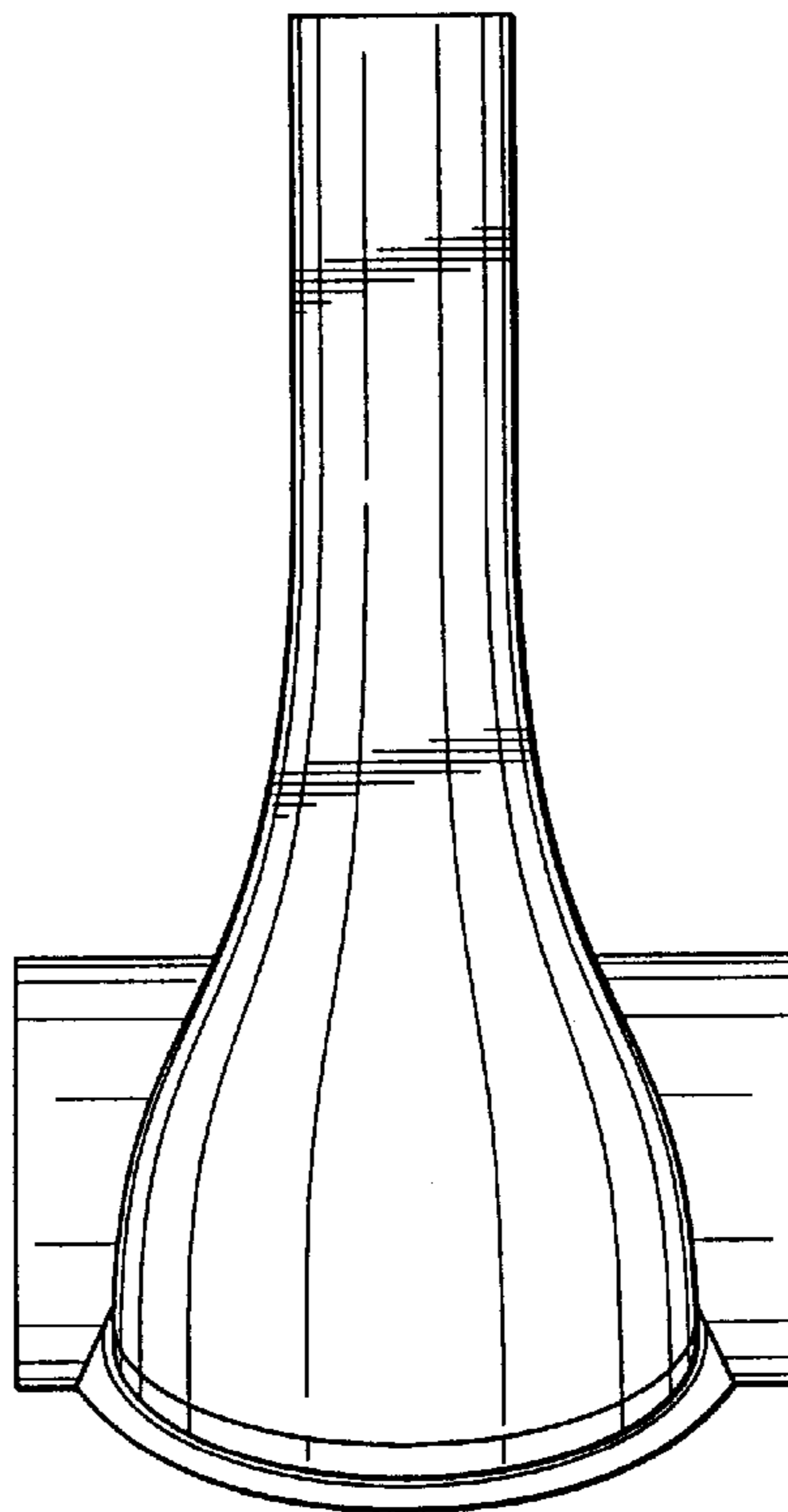


FIG. 7