



US00D441028S

(12) **United States Design Patent**  
**Jung**

(10) **Patent No.:** **US D441,028 S**

(45) **Date of Patent:** **\*\* Apr. 24, 2001**

(54) **HAND HELD ELECTRONIC GAME**

5,355,147 \* 10/1994 Lear ..... 345/156

(75) Inventor: **Won Y. Jung**, Berkeley, CA (US)

\* cited by examiner

(73) Assignee: **Radica China Limited** (VG)

*Primary Examiner*—Prabhakar Deshmukh

(\*\*) Term: **14 Years**

(74) *Attorney, Agent, or Firm*—Roylance, Abrams, Berdo & Goodman, L.L.P.

(21) Appl. No.: **29/118,345**

(57) **CLAIM**

(22) Filed: **Feb. 9, 2000**

The ornamental design for a hand held electronic game, as shown and described.

(51) **LOC (7) Cl.** ..... **21-01**

**DESCRIPTION**

(52) **U.S. Cl.** ..... **D21/324**

(58) **Field of Search** ..... D14/400, 401,  
D14/406, 412–416; D21/324, 333, 328;  
273/148 B; 463/1, 29–35, 46, 47; 345/156–167;  
47/471 XY

FIG. 1 is a front elevational view of a hand held electronic game in accordance with the new design;

FIG. 2 is a rear elevational view of the hand held electronic game illustrated in FIG. 1;

FIG. 3 is a right side elevational view of the hand held electronic game illustrated in FIGS. 1 and 2;

FIG. 4 is a left side elevational view of the hand held electronic game illustrated in FIGS. 1–3;

FIG. 5 is a top plan view of the hand held electronic game illustrated in FIGS. 1–4; and,

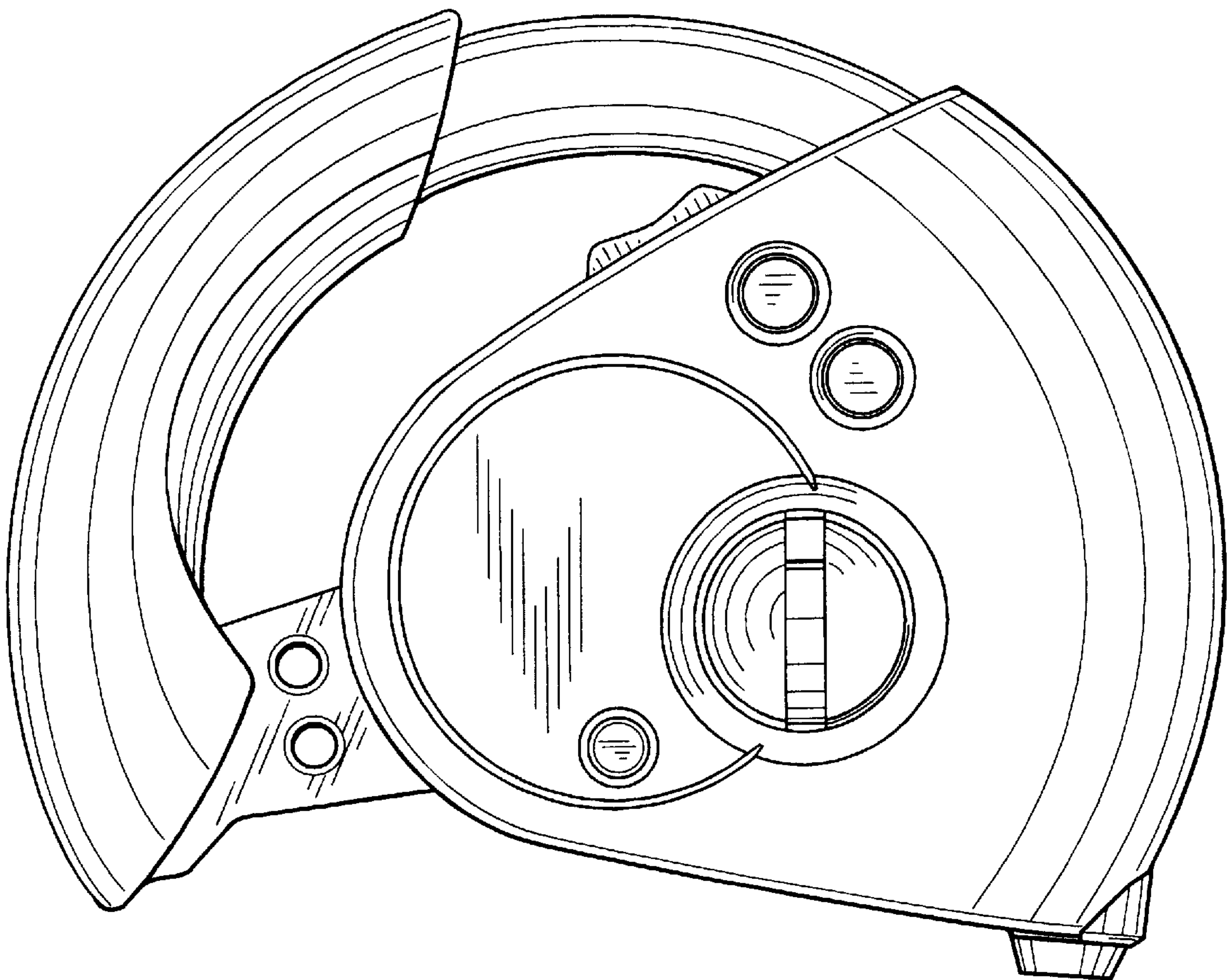
FIG. 6 is a bottom plan view of the hand held electronic game illustrated in FIGS. 1–5.

(56) **References Cited**

**U.S. PATENT DOCUMENTS**

- D. 363,320 \* 10/1995 Barthelemy et al. .... D14/401
- D. 366,911 \* 2/1996 Hsich ..... D14/401
- D. 422,996 \* 4/2000 Alviar et al. .... D14/401
- 5,150,899 \* 9/1992 Kitaue ..... 273/148 B X
- 5,259,626 \* 11/1993 Ho ..... 273/148 B X

**1 Claim, 4 Drawing Sheets**



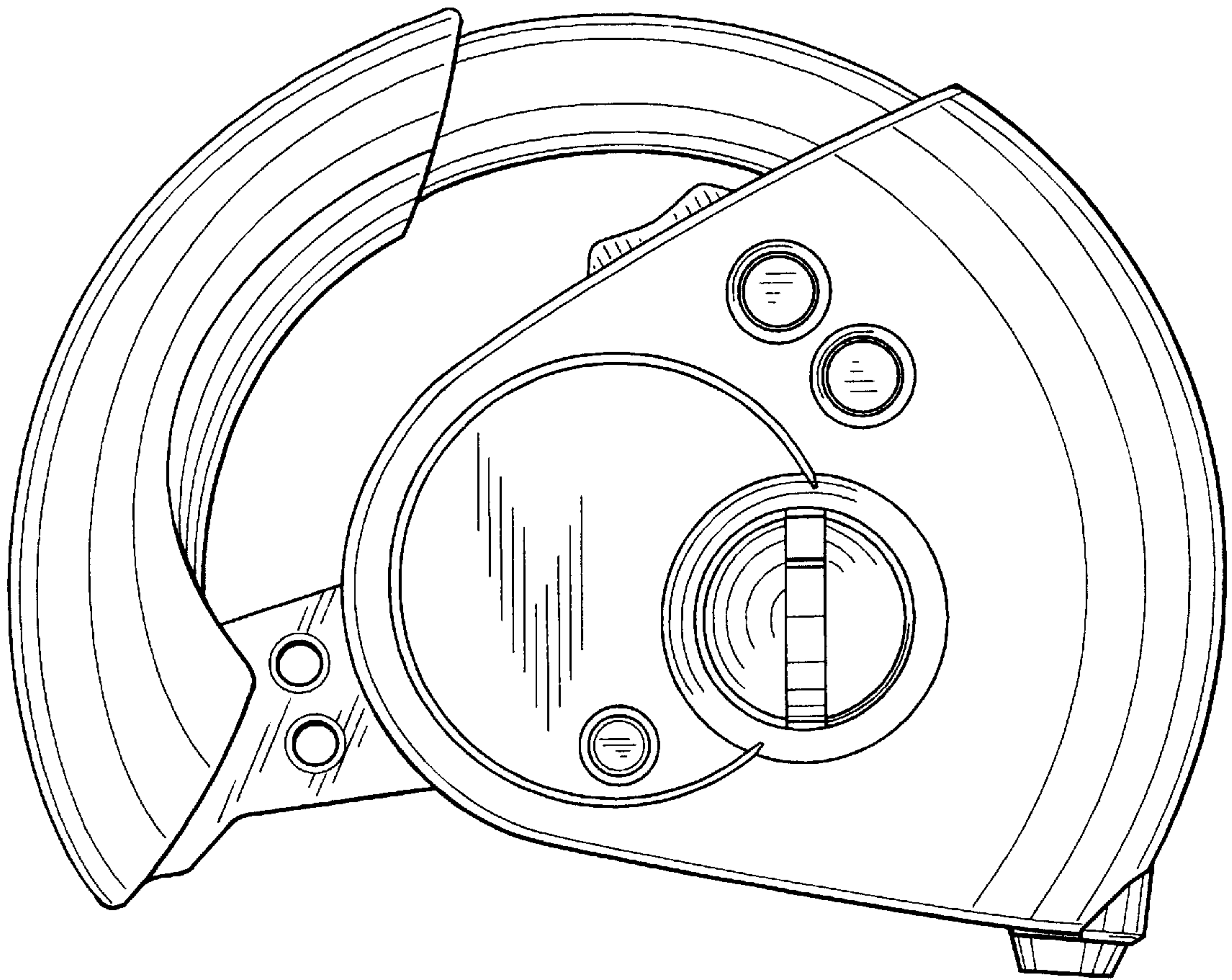


FIG. 1

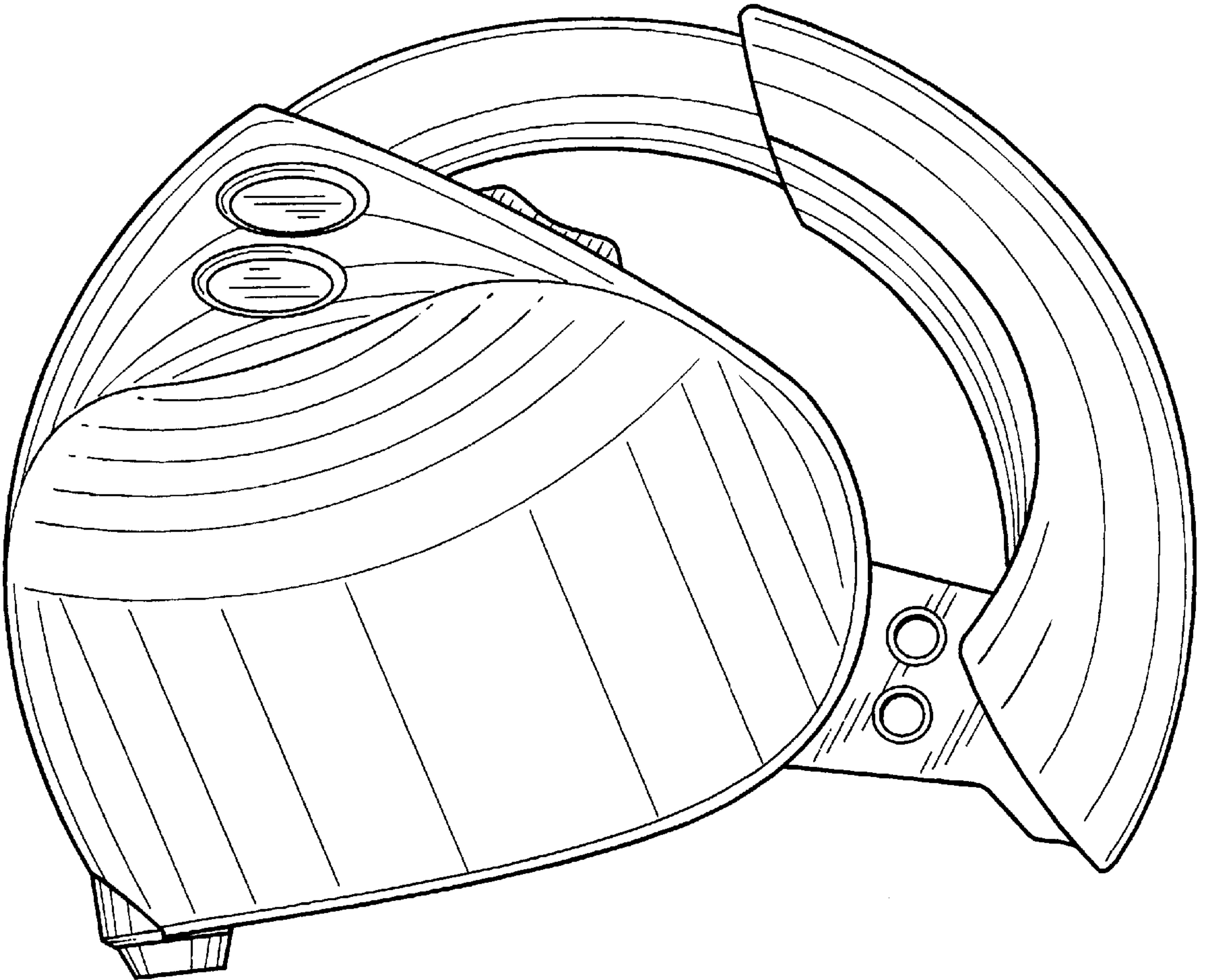


FIG. 2

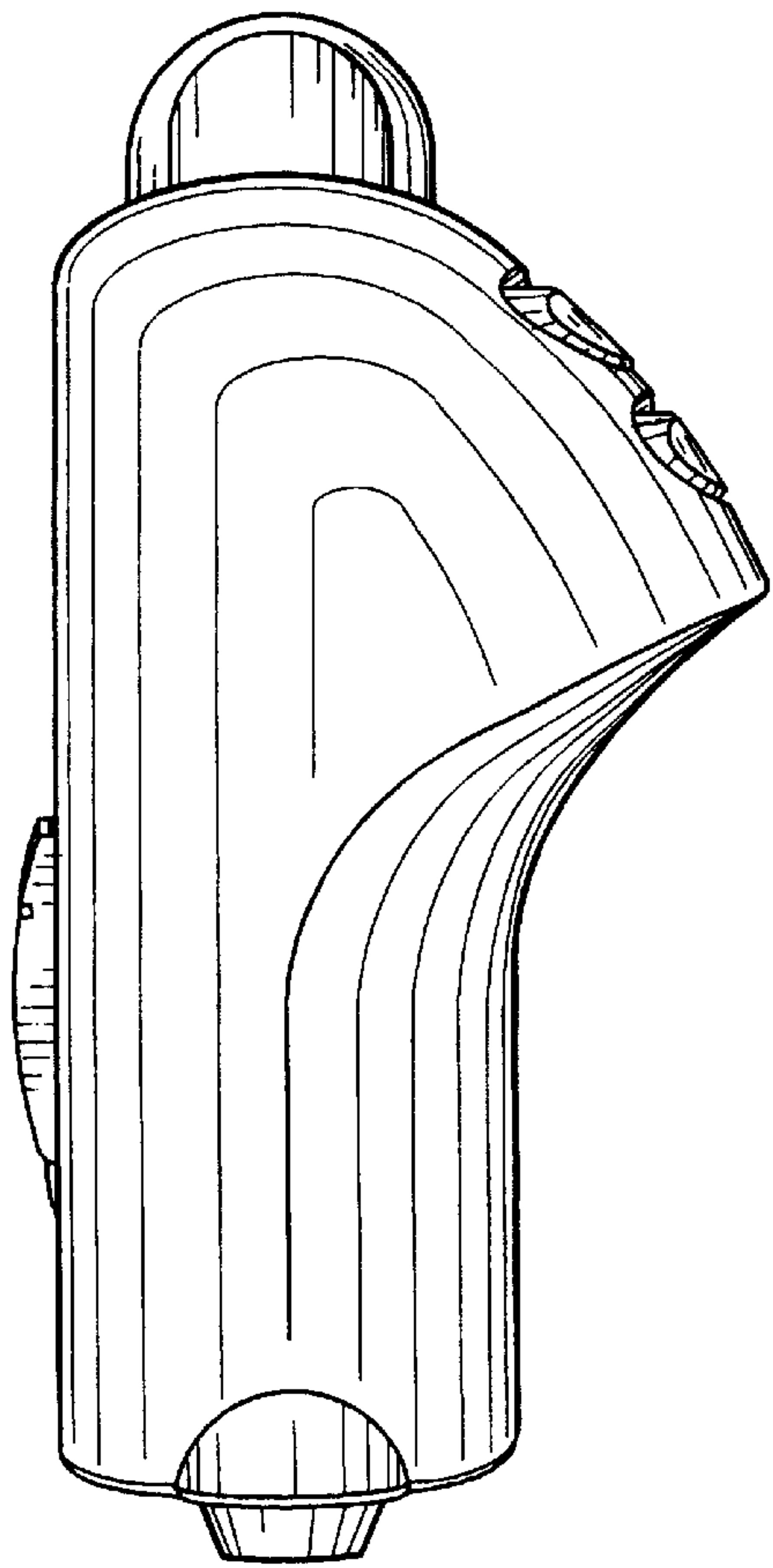


FIG. 3

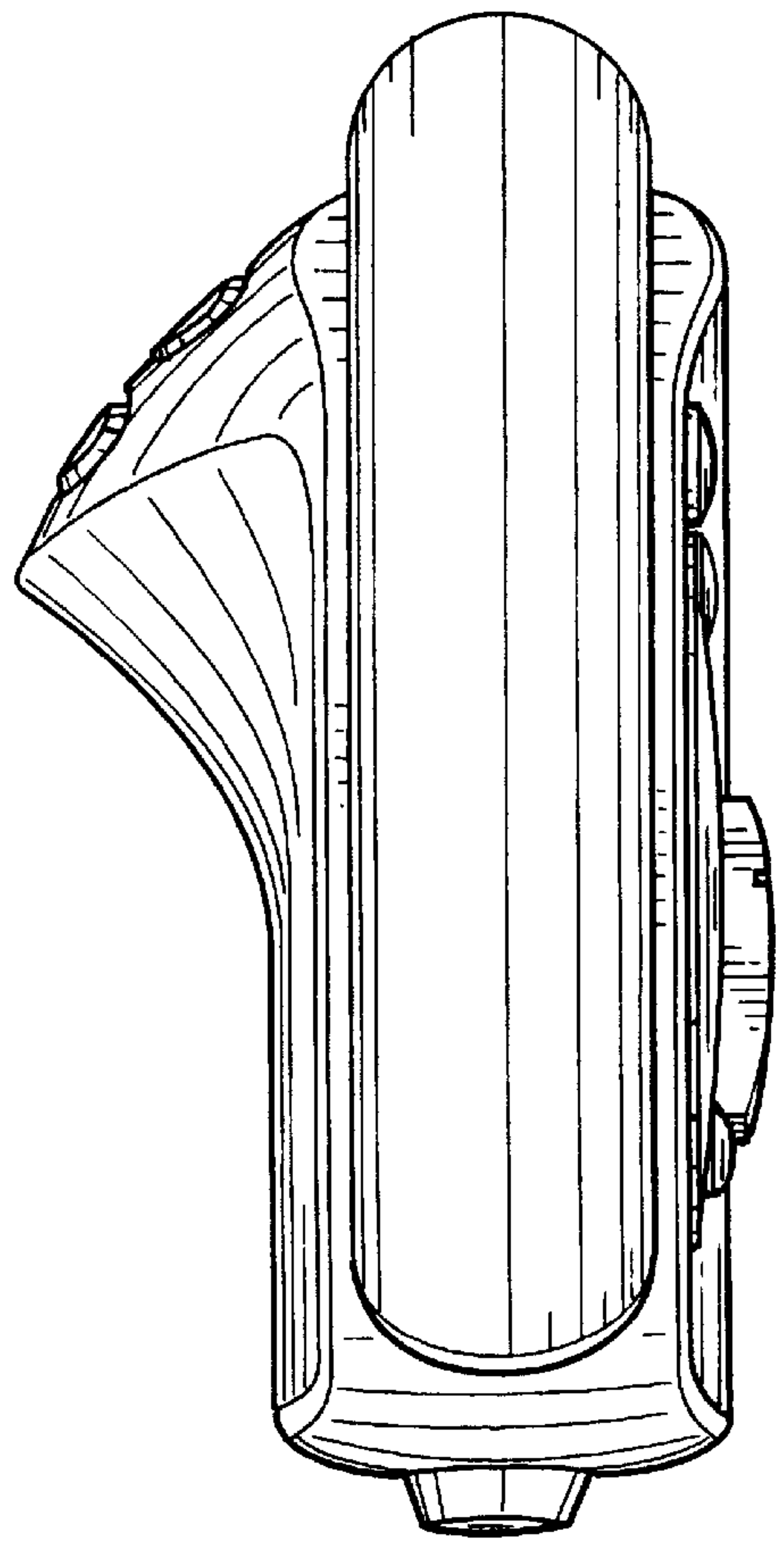


FIG. 4



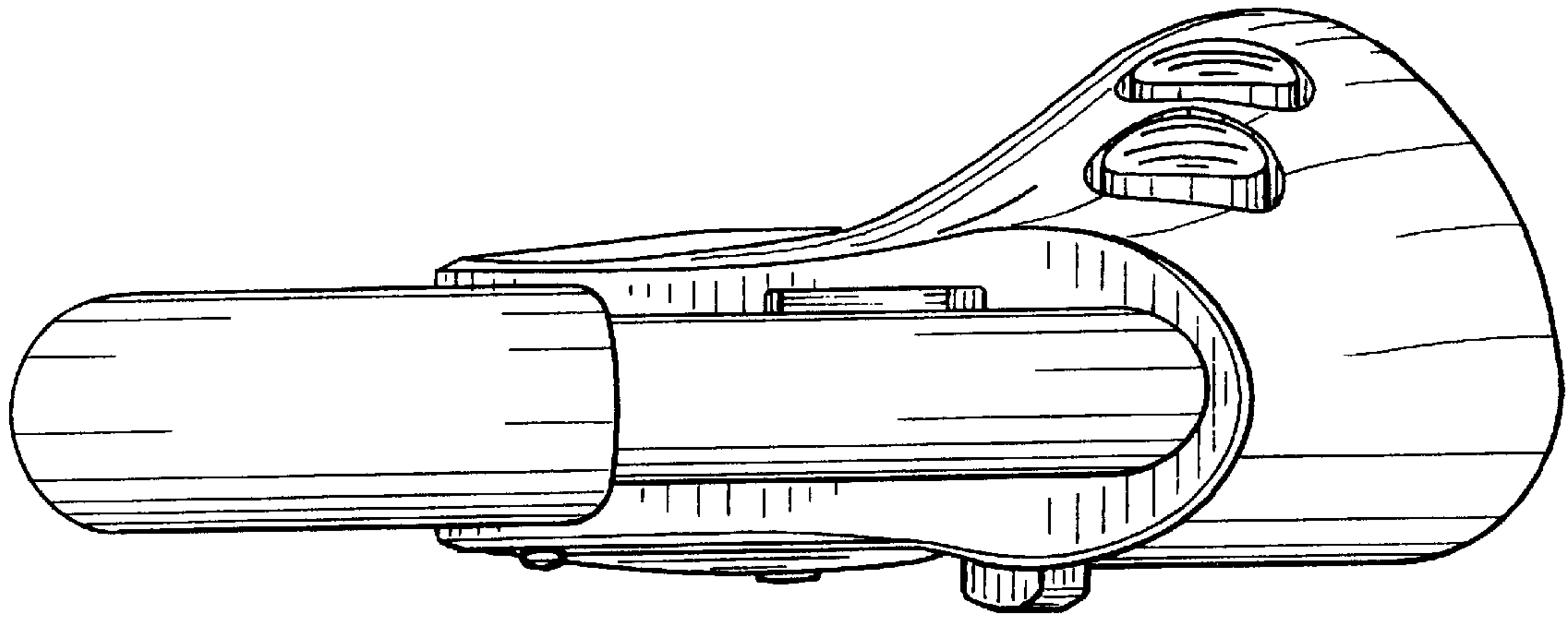


FIG. 5

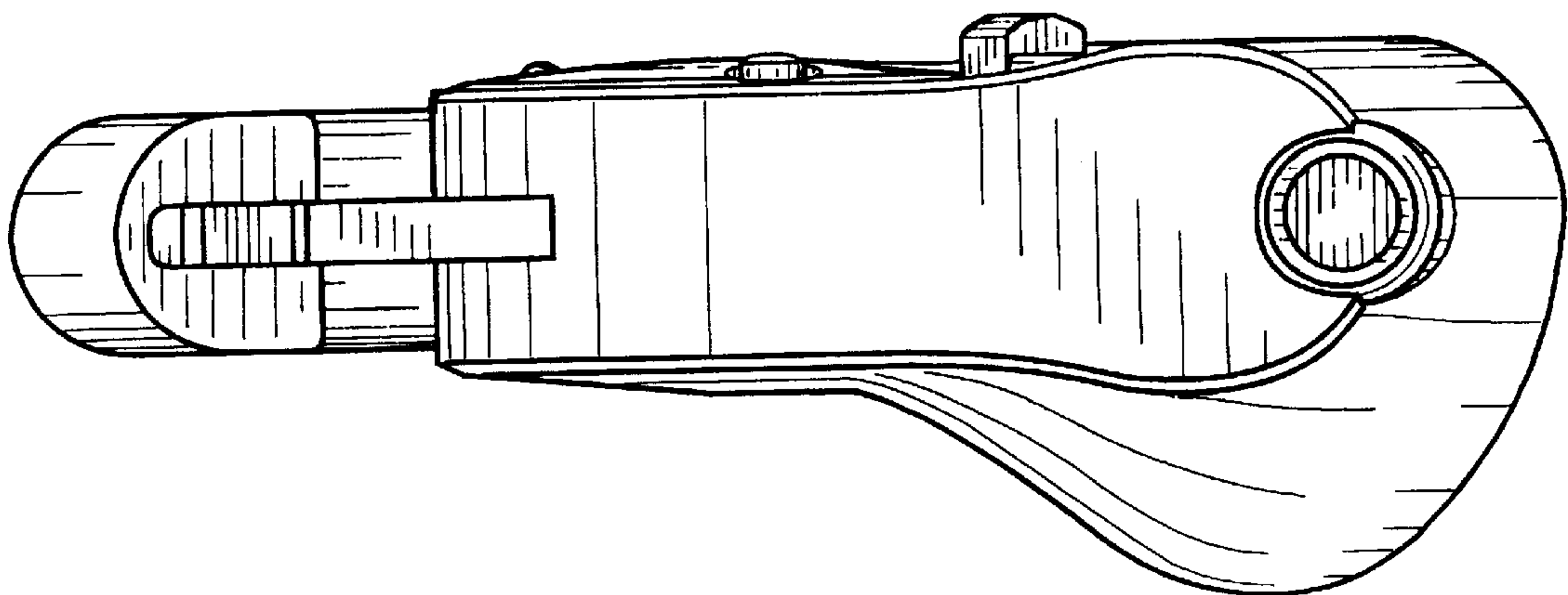


FIG. 6